



US00D652969S

(12) **United States Design Patent**
Seropjan

(10) **Patent No.:** **US D652,969 S**

(45) **Date of Patent:** **** Jan. 24, 2012**

(54) **LAMP**

(75) Inventor: **Mikhail Seropjan**, Moskau (RU)

(73) Assignee: **AKWA GmbH**, Frankfurt am Main (DE)

(**) Term: **14 Years**

(21) Appl. No.: **29/351,008**

(22) Filed: **Nov. 26, 2009**

(30) **Foreign Application Priority Data**

May 26, 2009 (EM) 001525593

(51) **LOC (9) Cl.** **26-05**

(52) **U.S. Cl.** **D26/24**

(58) **Field of Classification Search** D26/24,
D26/1, 2, 25, 26, 37, 72, 73, 74, 77, 93, 104,
D26/113, 118; D13/180, 182; 362/555,
362/563, 576, 145, 147, 148, 153, 157, 186,
362/290, 294, 317, 335, 351, 364, 373, 800,
362/805, 806

See application file for complete search history.

(56) **References Cited**

U.S. PATENT DOCUMENTS

4,563,668 A * 1/1986 Martino 340/908.1
D284,104 S * 6/1986 Martino D26/24

D297,170 S * 8/1988 Elliott D26/24
D349,968 S * 8/1994 Elliott D26/24
D409,771 S * 5/1999 Stultz D26/24
D446,321 S * 8/2001 Lin D26/24
D474,848 S * 5/2003 Lodhie D26/2
D510,149 S * 9/2005 Huang D26/28
D535,039 S * 1/2007 Sorokin D26/24
D577,836 S * 9/2008 Engebrigtsen D26/24
D593,224 S * 5/2009 Hanley D26/2
D634,454 S * 3/2011 On D26/2
D634,456 S * 3/2011 Jones D26/24

* cited by examiner

Primary Examiner — Angela J Lee

(57) **CLAIM**

The ornamental design for a lamp, as shown and described.

DESCRIPTION

FIG. 1 is a perspective view of a lamp showing my new design;

FIG. 2 is another perspective view thereof, but shown with portions removed for clarity of illustration;

FIG. 3 is a another perspective view thereof, but with portions shown in an alternate position;

FIG. 4 is another perspective view of the FIG. 1, but with portions removed for clarity of illustration;

FIG. 5 is another perspective view of the lamp of FIG. 1; and, FIG. 6 is a top plan view thereof.

1 Claim, 3 Drawing Sheets

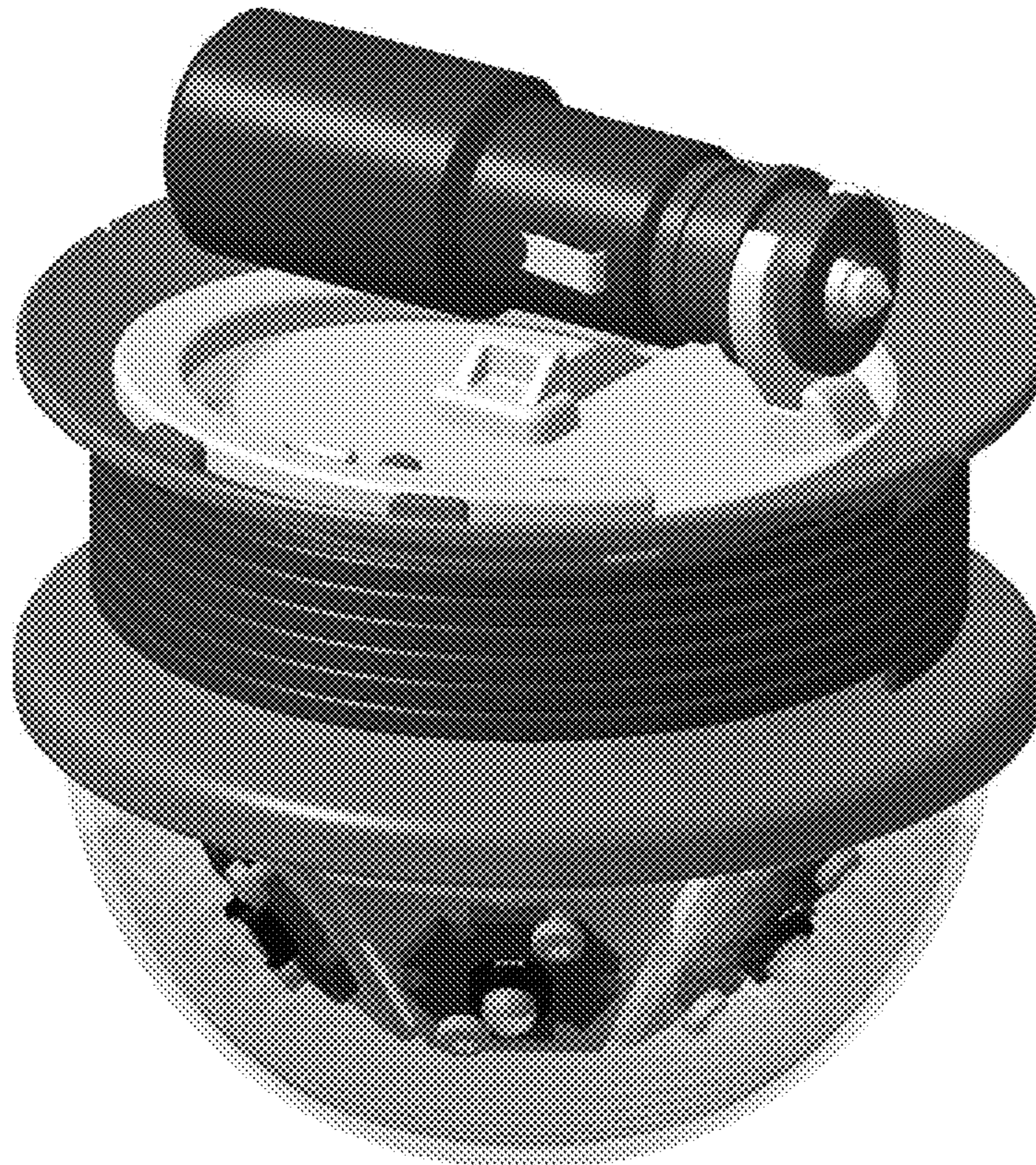




FIG. 1

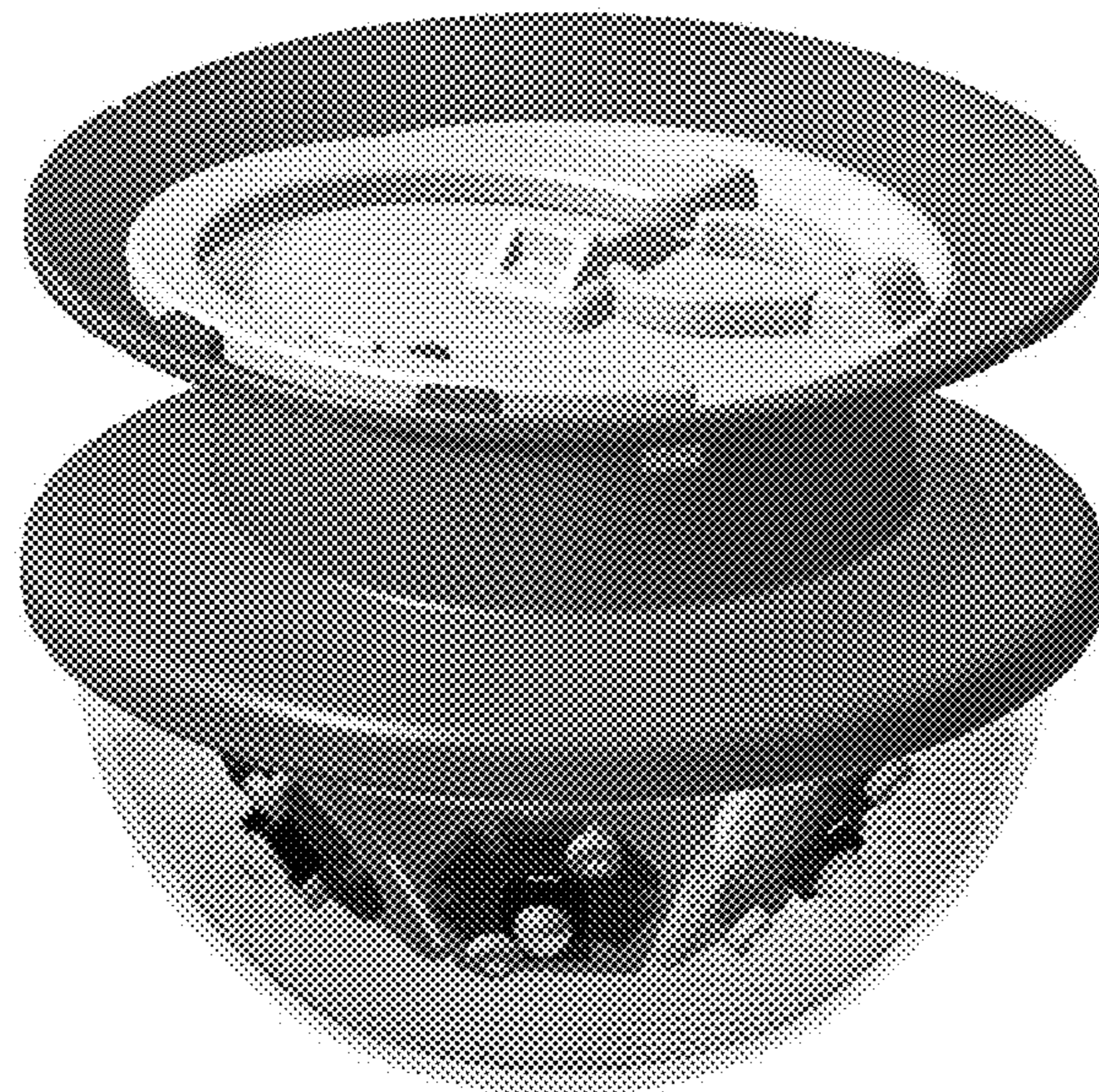


FIG. 2

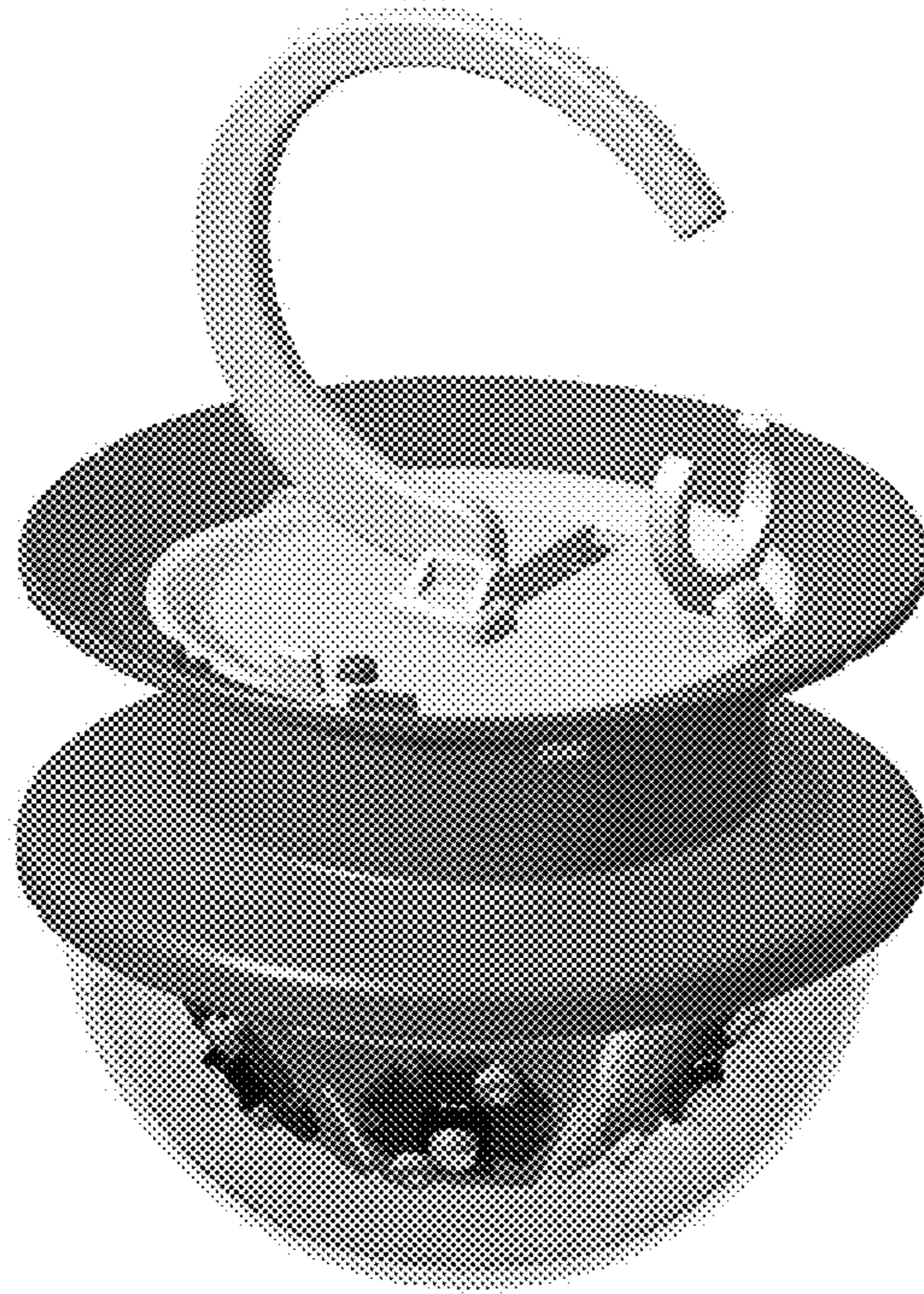


FIG. 3

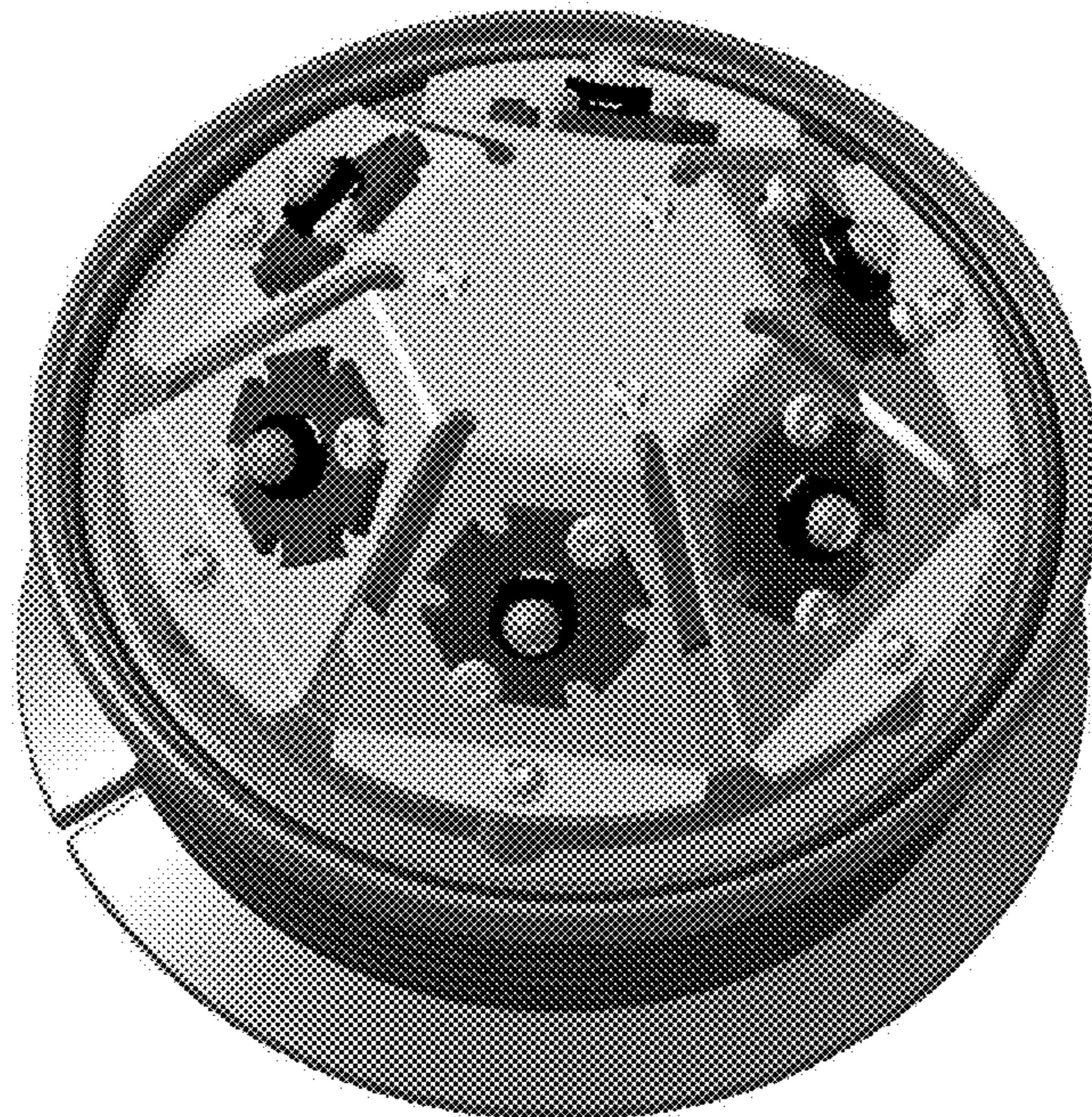


FIG. 4

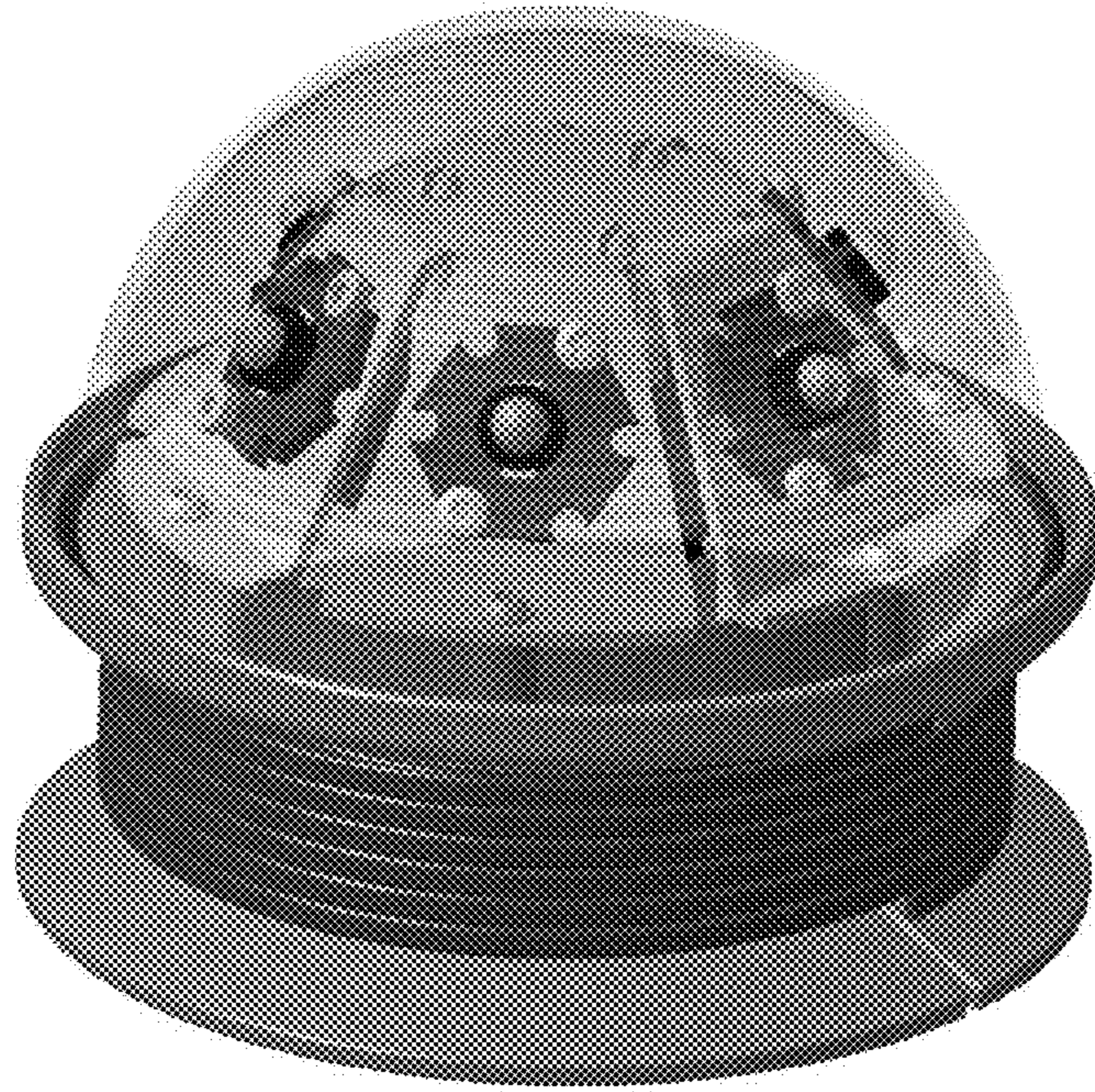


FIG. 5

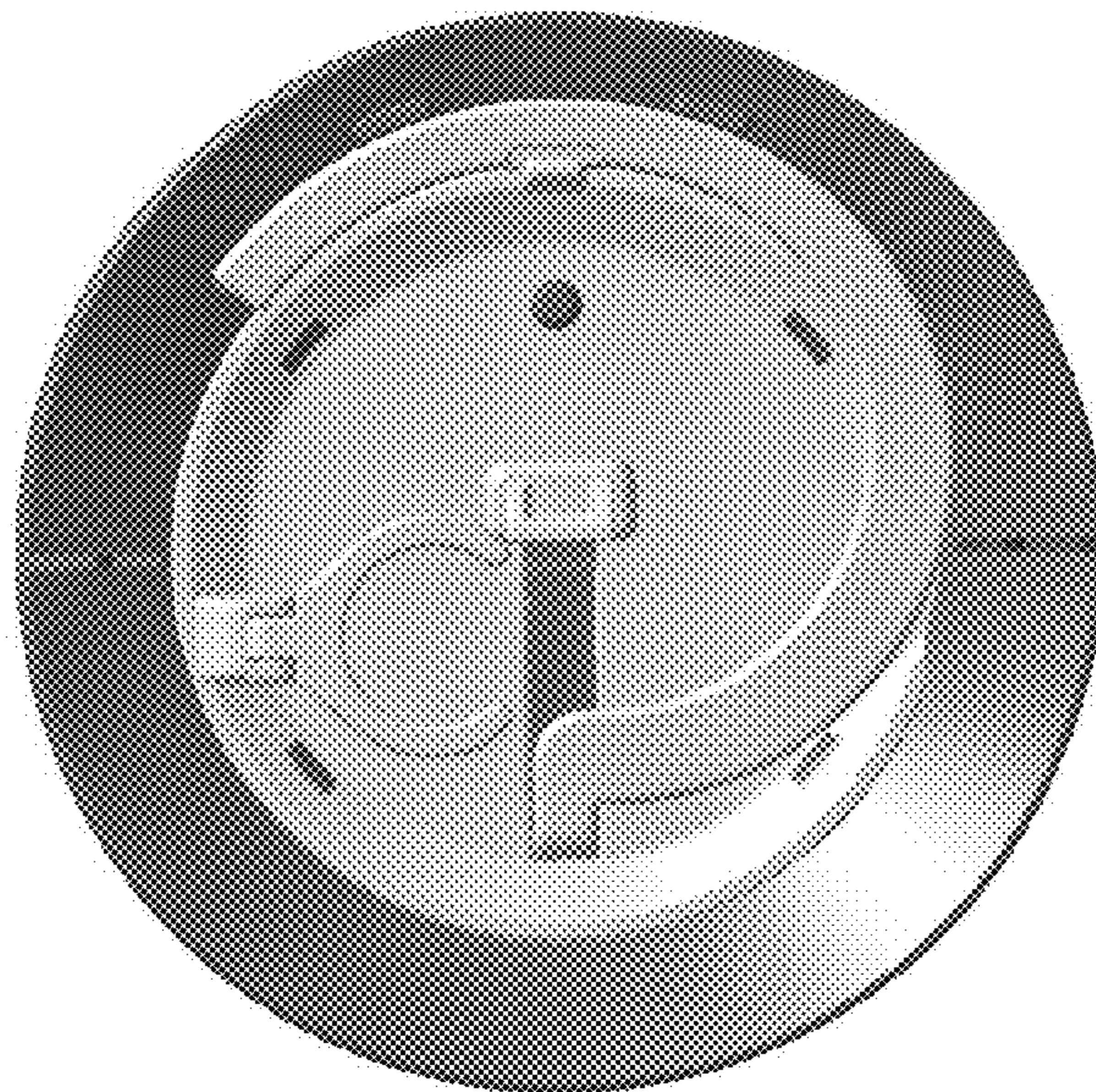


FIG. 6