

US00D652965S

(12) **United States Design Patent**
Kim et al.

(10) **Patent No.:** **US D652,965 S**
(45) **Date of Patent:** **** Jan. 24, 2012**

(54) **PORTION OF A LED LAMP**

(56) **References Cited**

(75) Inventors: **Jihoo Kim**, Seoul (KR); **Tae Young Choi**, Seoul (KR); **Dong Nyung Lim**, Seoul (KR); **Sung Ho Kim**, Seoul (KR); **Cheonjoo Kim**, Seoul (KR)

U.S. PATENT DOCUMENTS

D602,614	S	*	10/2009	Takahashi et al.	D26/2
D619,739	S	*	7/2010	Hofmann et al.	D26/2
D626,257	S	*	10/2010	Pickard	D26/2
D628,320	S	*	11/2010	Yamamoto	D26/2
D628,321	S	*	11/2010	Yoshinobu et al.	D26/2

* cited by examiner

(73) Assignee: **LG Innotek Co., Ltd**, Seoul (KR)

Primary Examiner — Marcus Jackson

(**) Term: **14 Years**

(74) *Attorney, Agent, or Firm* — Lowe Hauptman Ham & Berner

(21) Appl. No.: **29/390,032**

(57) **CLAIM**

The ornamental design for a portion of a LED lamp, as shown and described.

(22) Filed: **Apr. 19, 2011**

DESCRIPTION

(30) **Foreign Application Priority Data**

Oct. 22, 2010 (KR) 30-2010-0045761

(51) **LOC (9) Cl.** **26-04**

(52) **U.S. Cl.** **D26/2**

(58) **Field of Classification Search** D26/1-4;
313/313, 315, 316, 317, 318, 493; 315/52,
315/53, 56, 57, 58

FIG. 1 is a perspective view of a portion of a LED lamp showing my/our new design;
FIG. 2 is a front elevational view thereof;
FIG. 3 is a rear elevational view thereof;
FIG. 4 is a left side elevational view thereof;
FIG. 5 is a right side elevational view thereof;
FIG. 6 is a top plan view thereof; and,
FIG. 7 is a bottom plan view thereof.
LED is installed in the light emitting part.

See application file for complete search history.

1 Claim, 4 Drawing Sheets

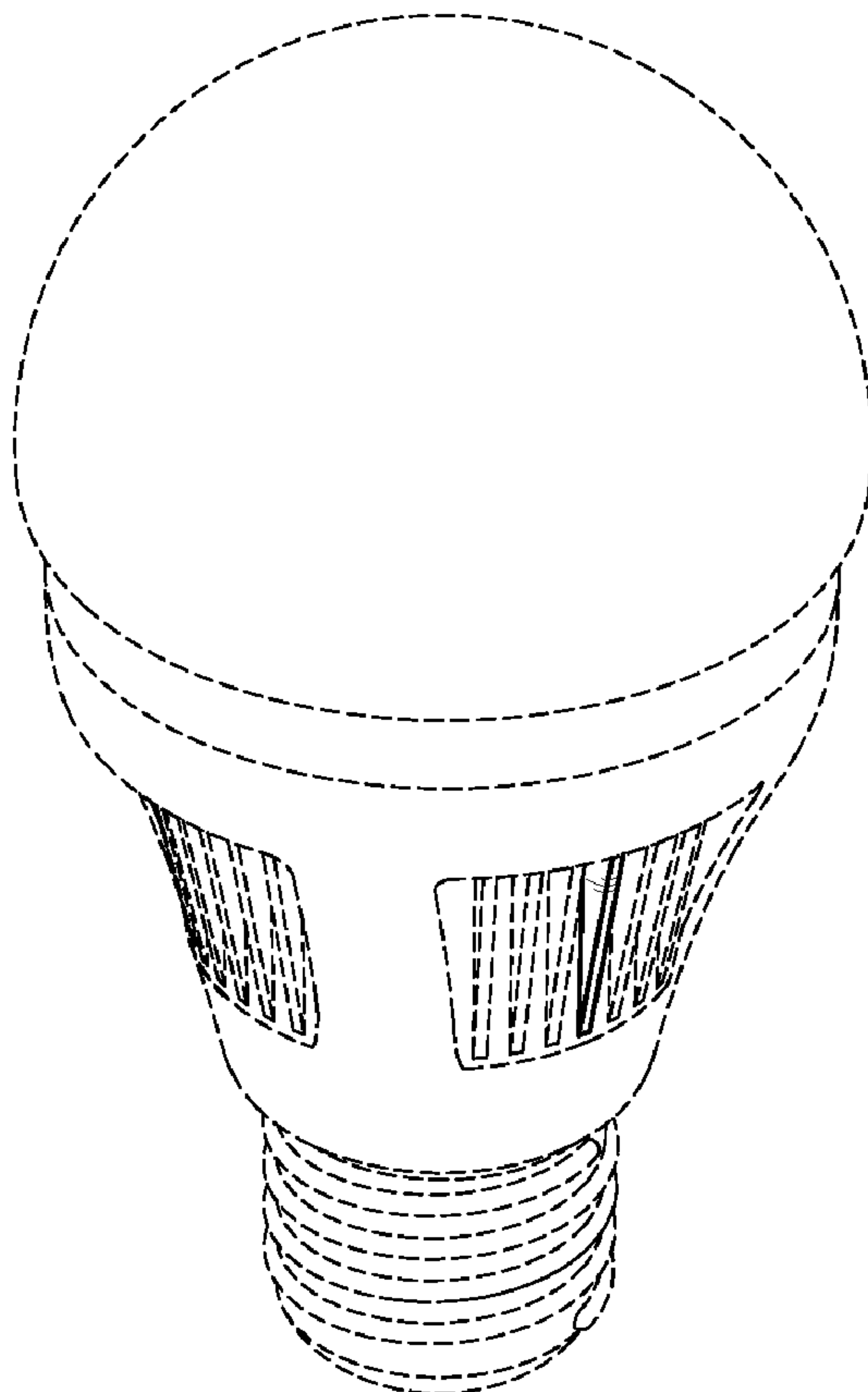


FIG. 1

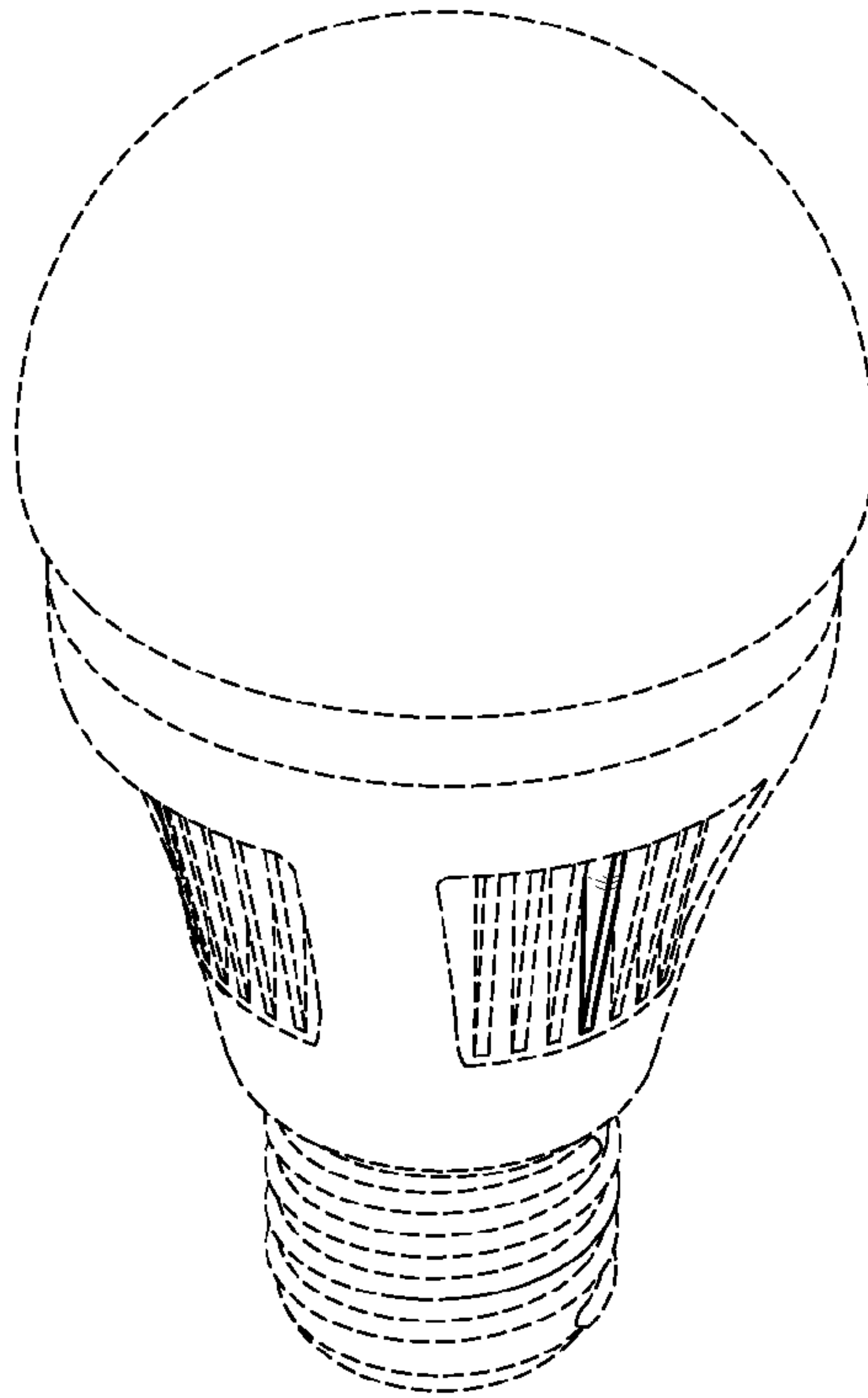


FIG. 2

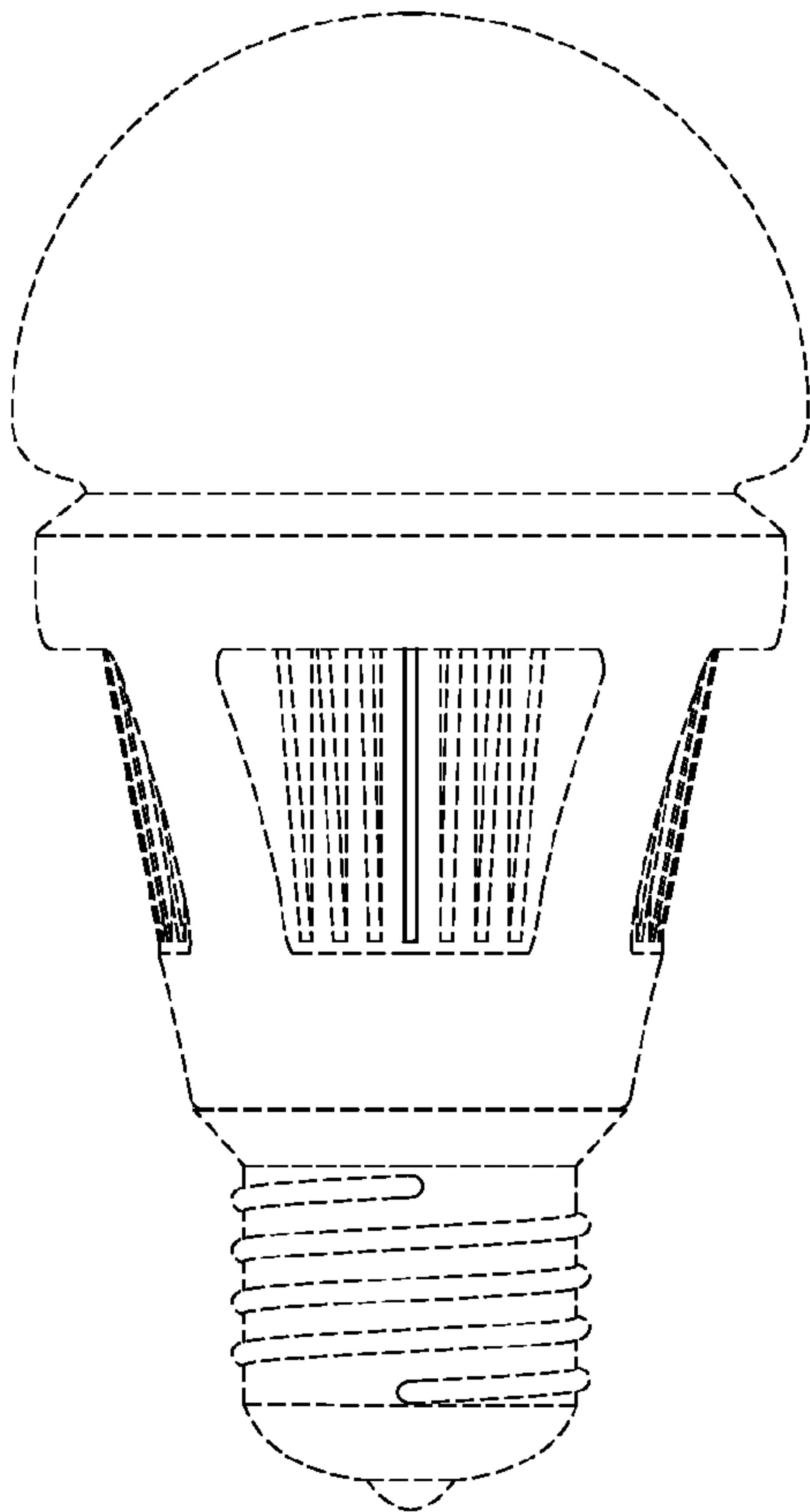


FIG. 3

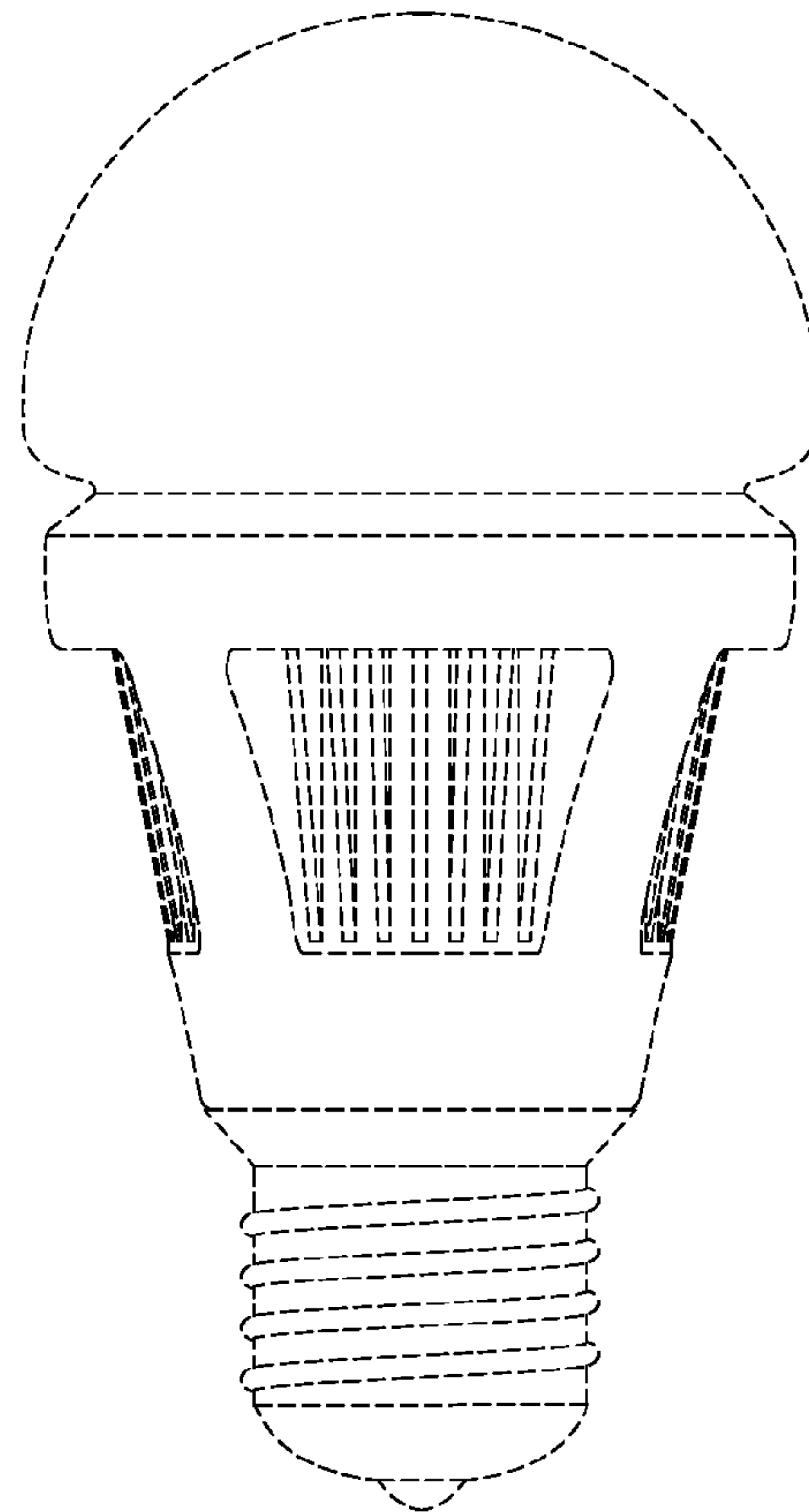


FIG. 4

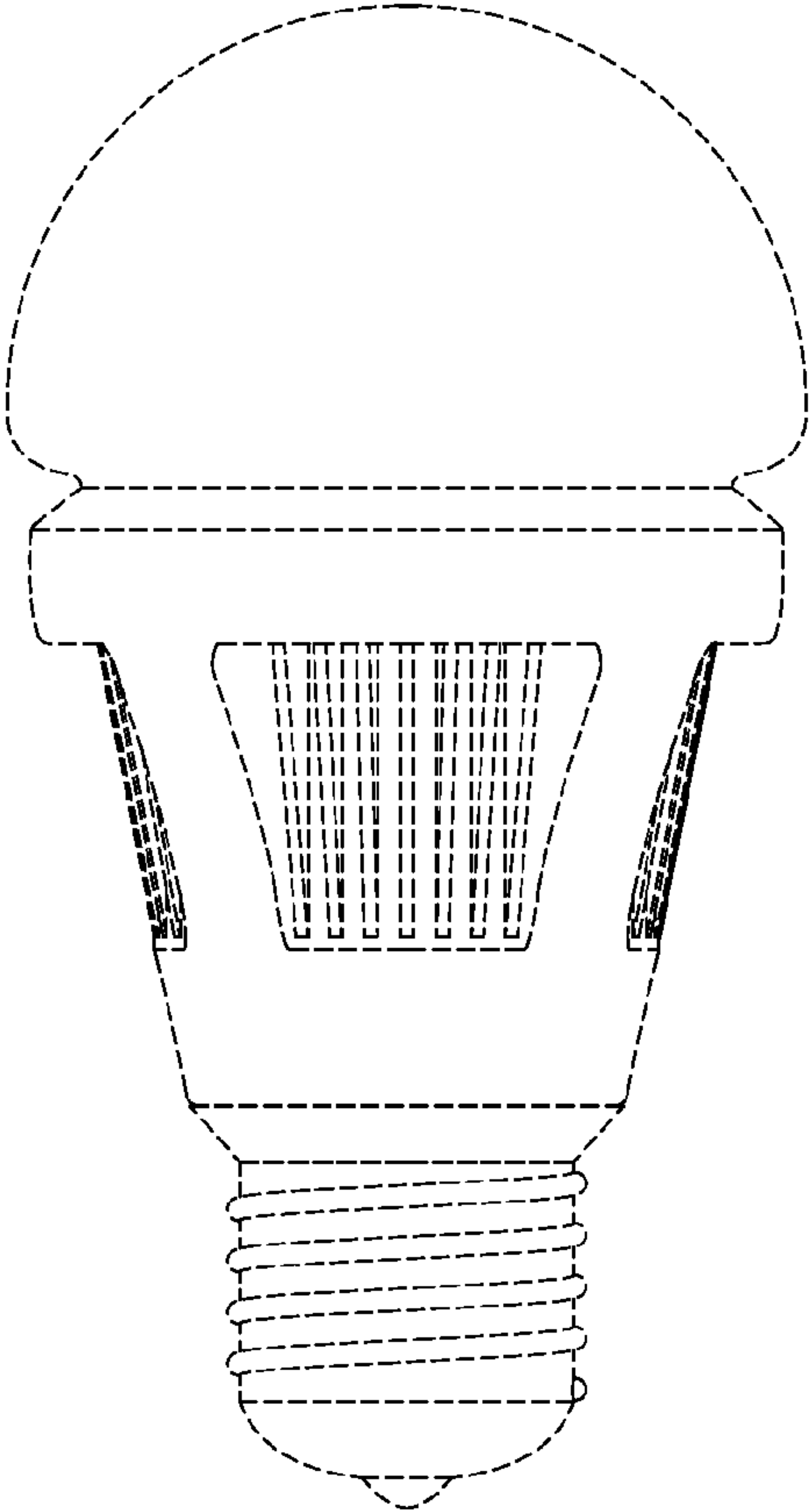


FIG. 5

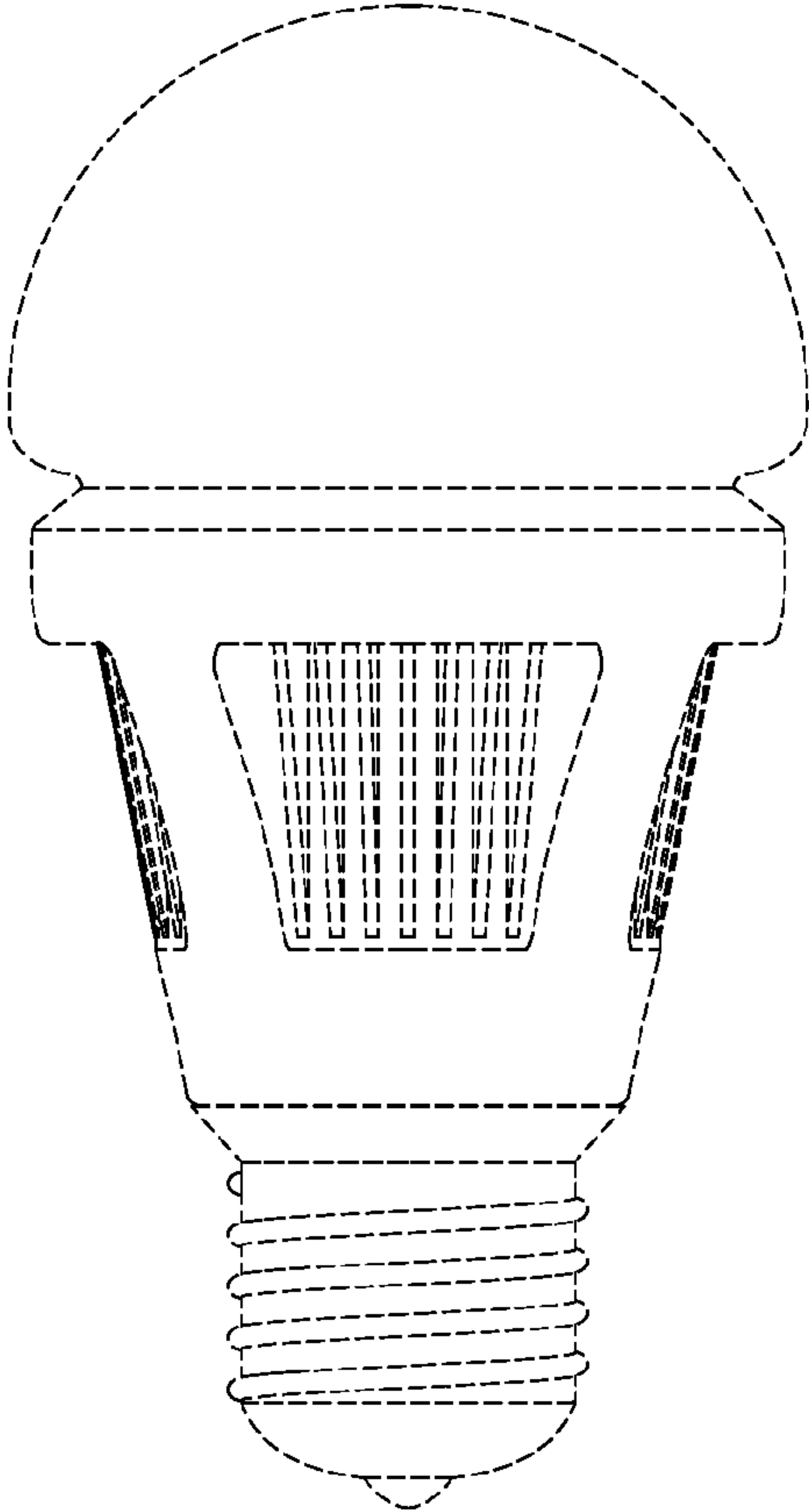


FIG. 6

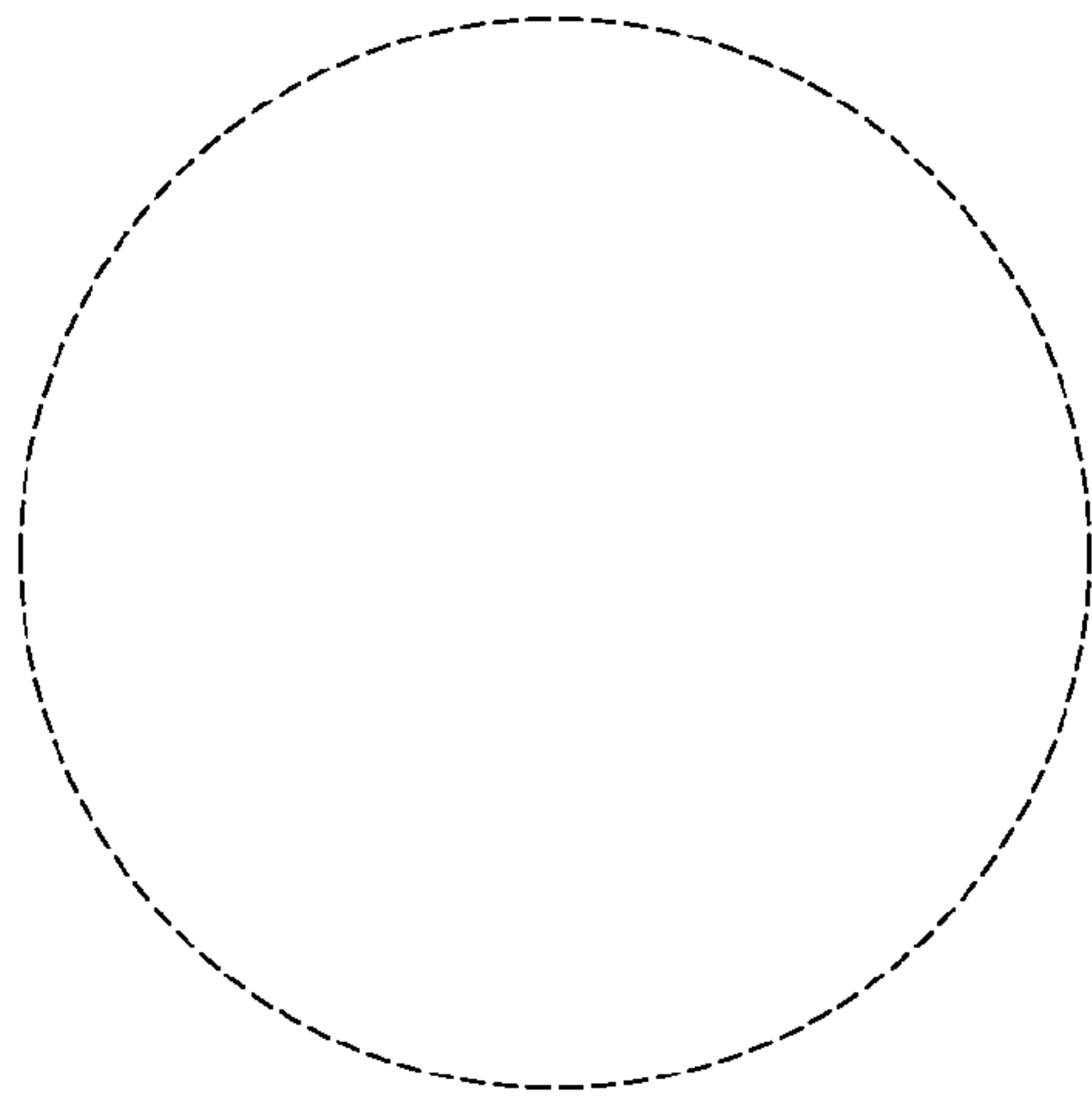


FIG. 7

