



US00D652961S

(12) **United States Design Patent**
Foo

(10) **Patent No.:** **US D652,961 S**

(45) **Date of Patent:** **** *Jan. 24, 2012**

(54) **LAMP**

(75) Inventor: **Onn Fah Foo**, Kowloon (HK)

(73) Assignee: **Mass Technology (H.K.) Limited**, Hong Kong (CN)

(*) Notice: This patent is subject to a terminal disclaimer.

(**) Term: **14 Years**

(21) Appl. No.: **29/376,113**

(22) Filed: **Oct. 1, 2010**

(30) **Foreign Application Priority Data**

Apr. 8, 2010 (EM) 001692286-0001

(51) **LOC (9) Cl.** **26-04**

(52) **U.S. Cl.** **D26/2**

(58) **Field of Classification Search** D26/1-5;
313/313, 315, 316, 317, 318, 493; 315/52,
315/53, 56, 57, 58; 362/290, 294, 309; D13/180,
D13/110

See application file for complete search history.

(56) **References Cited**

U.S. PATENT DOCUMENTS

D545,456 S *	6/2007	Foo	D26/2
D573,294 S *	7/2008	Chan et al.	D26/74
D581,555 S *	11/2008	To et al.	D26/2
D591,894 S *	5/2009	Flank	D26/74
D601,721 S *	10/2009	Foo	D26/2
D601,722 S *	10/2009	Foo	D26/2
D601,723 S *	10/2009	Foo	D26/2
D602,178 S *	10/2009	Foo	D26/2
D602,179 S *	10/2009	Foo	D26/2

D602,180 S *	10/2009	Foo	D26/2
D602,181 S *	10/2009	Foo	D26/2
D602,182 S *	10/2009	Foo	D26/2
D603,982 S *	11/2009	Foo	D26/2
D614,782 S *	4/2010	Foo	D26/2
D623,775 S *	9/2010	Foo	D26/2
D625,876 S *	10/2010	Chen et al.	D26/74
D629,151 S *	12/2010	Zaderej et al.	D26/118
D629,931 S *	12/2010	Foo	D26/2
D629,932 S *	12/2010	Foo	D26/2
D629,933 S *	12/2010	Foo	D26/2
D629,934 S *	12/2010	Foo	D26/2
2007/0297177 A1 *	12/2007	Wang et al.	362/294
2010/0195329 A1 *	8/2010	Inoue et al.	362/235

OTHER PUBLICATIONS

V-Series AR111 LED lamp, Sinolumi LED Limited, posting date not given, [online], [site visited Jun. 8, 2011]. Available from Internet ,<URL:http://www.tradevv.com/chinasuppliers/sinolumiled_p_18fe70/china-V-Seires-AR111-LED-lamp.html>.*

* cited by examiner

Primary Examiner — Jeffrey D Asch

(74) *Attorney, Agent, or Firm* — McNeely, Hare & War LLP; Kevin J. McNeely

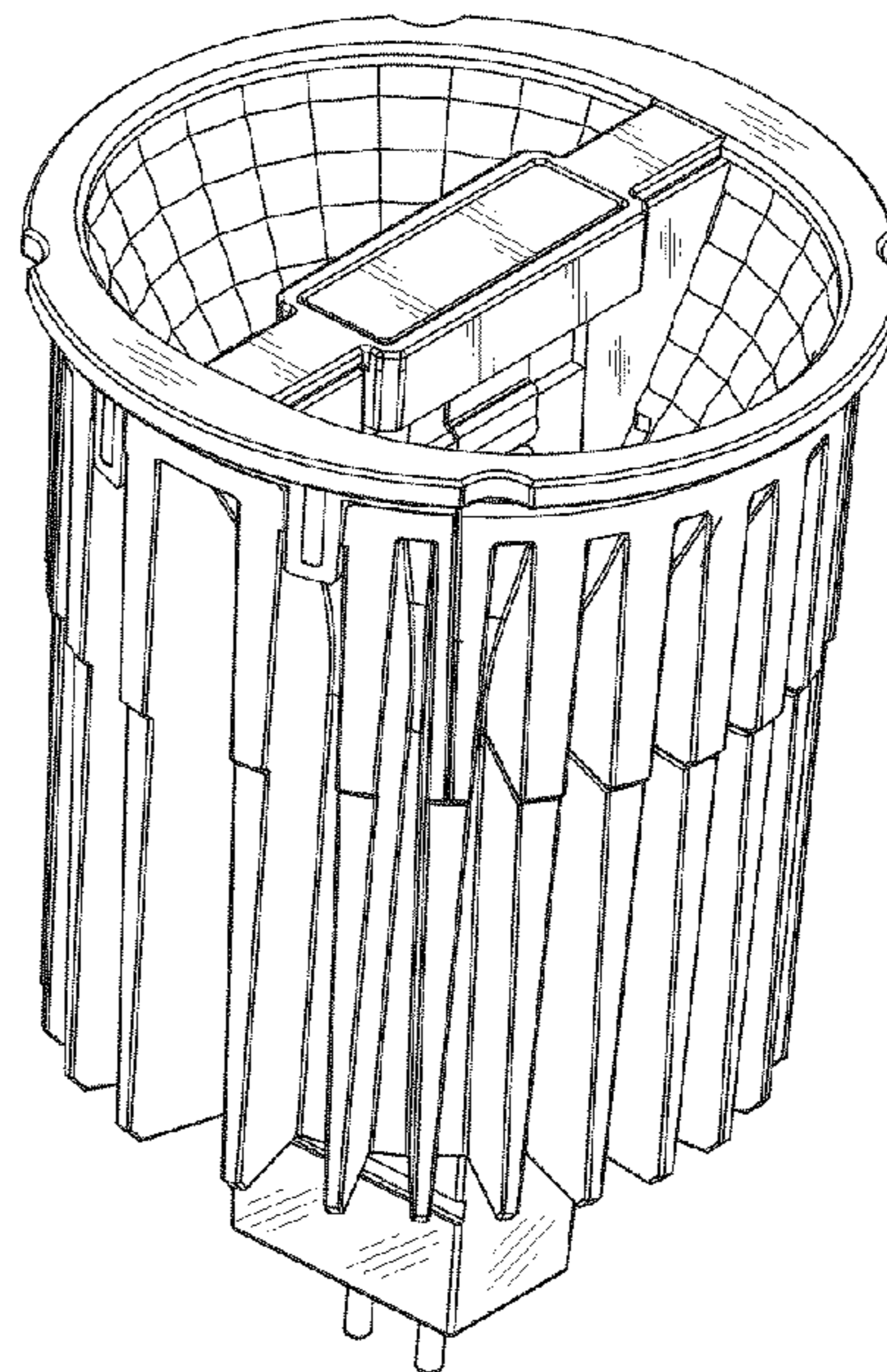
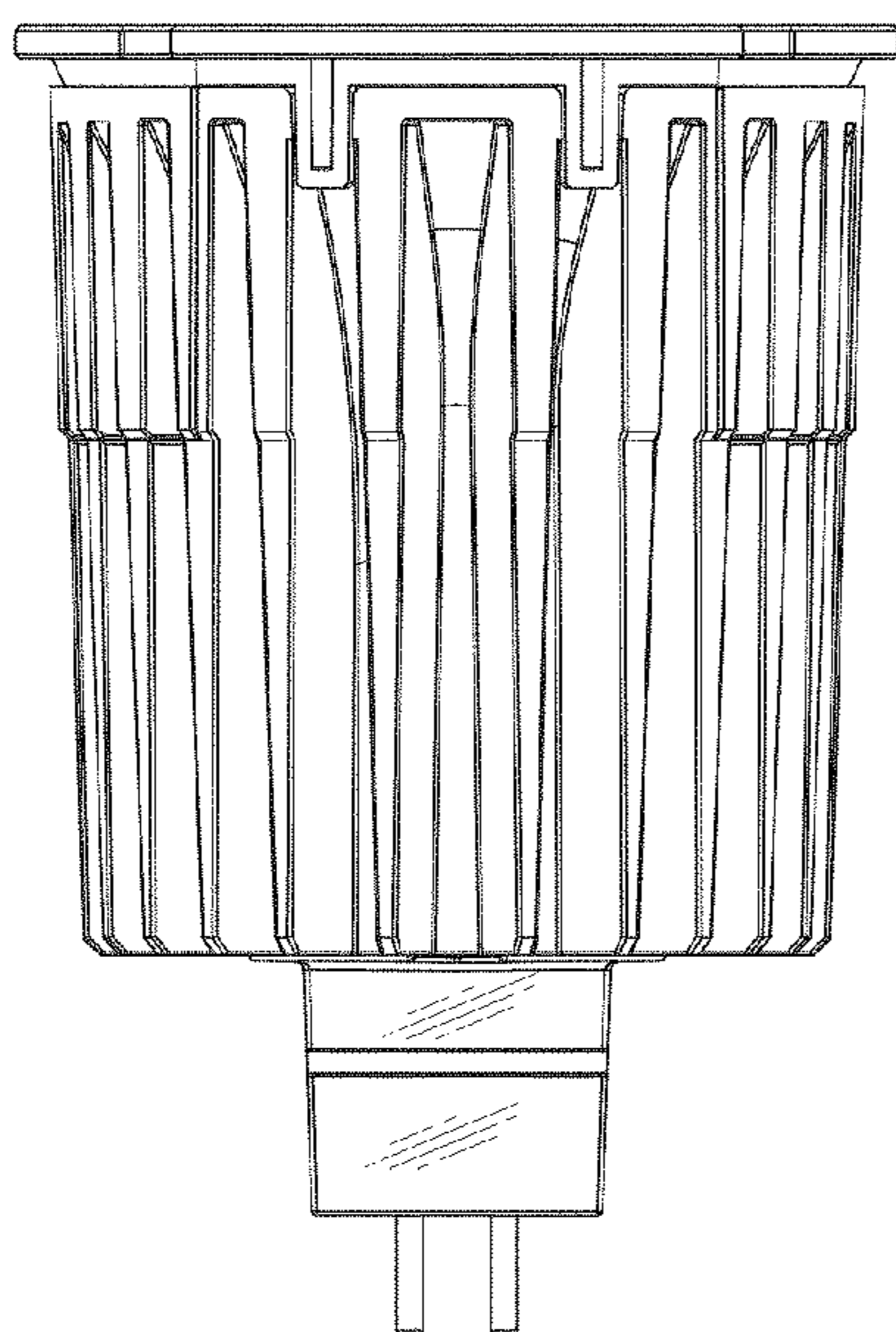
(57) **CLAIM**

The ornamental design for a lamp, as shown.

DESCRIPTION

FIG. 1 is a front view of the lamp, showing the new design; FIG. 2 is a rear view of the lamp; FIG. 3 is a left side view of the lamp; FIG. 4 is a right side view of the lamp; FIG. 5 is a top view of the lamp; FIG. 6 is a bottom view of the lamp; and, FIG. 7 is top perspective view of the lamp.

1 Claim, 3 Drawing Sheets



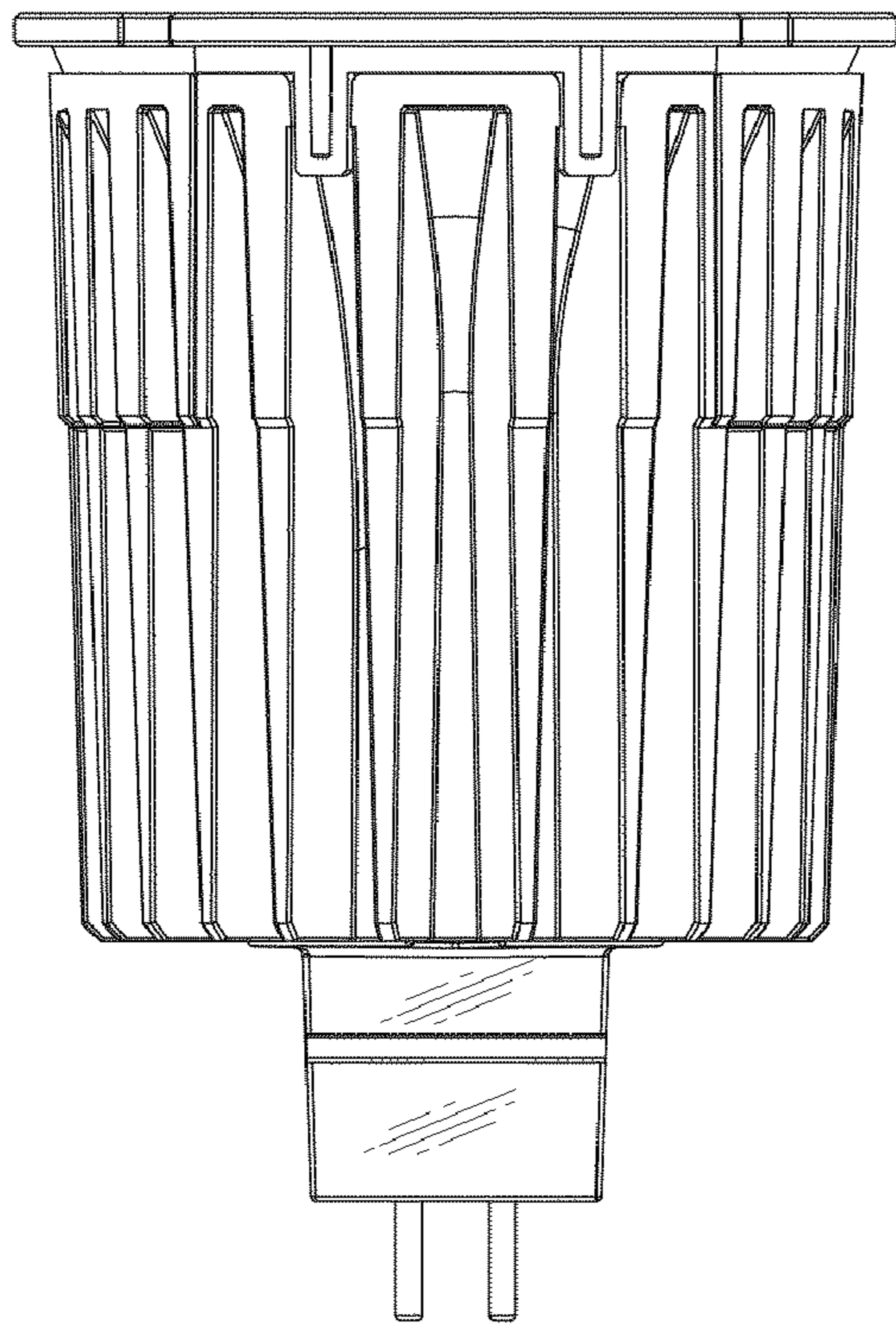


Fig.1

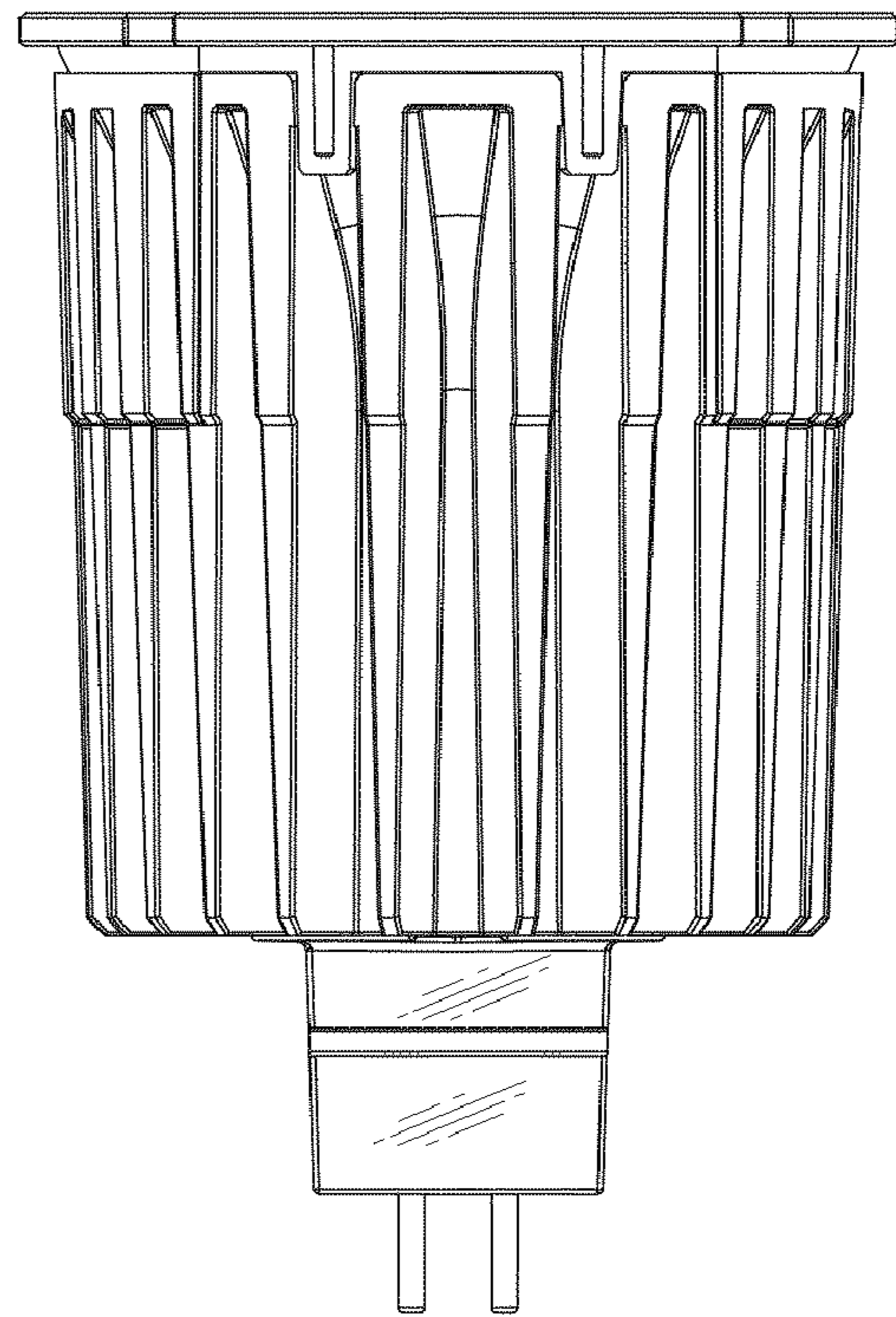


Fig.2

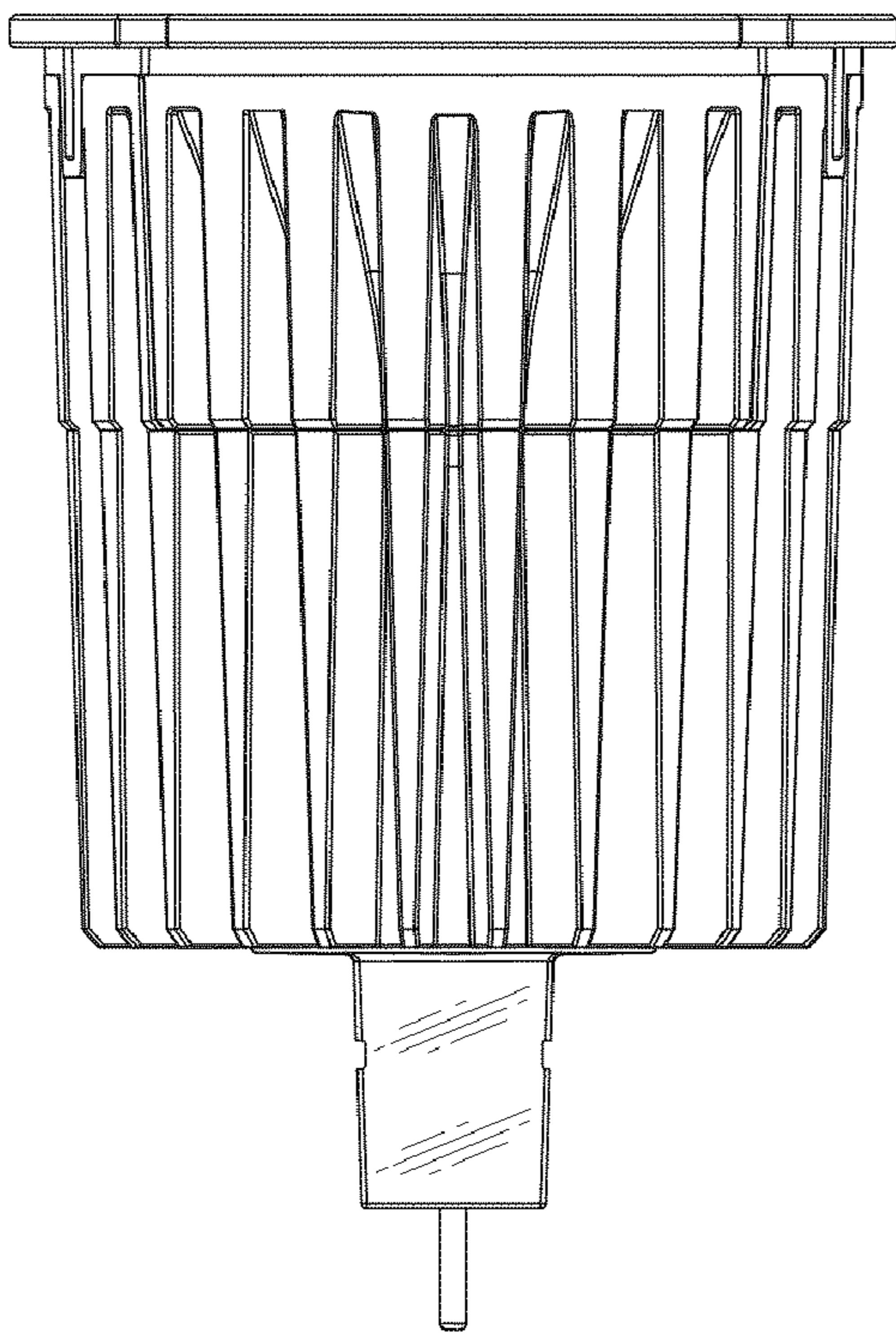


Fig.3

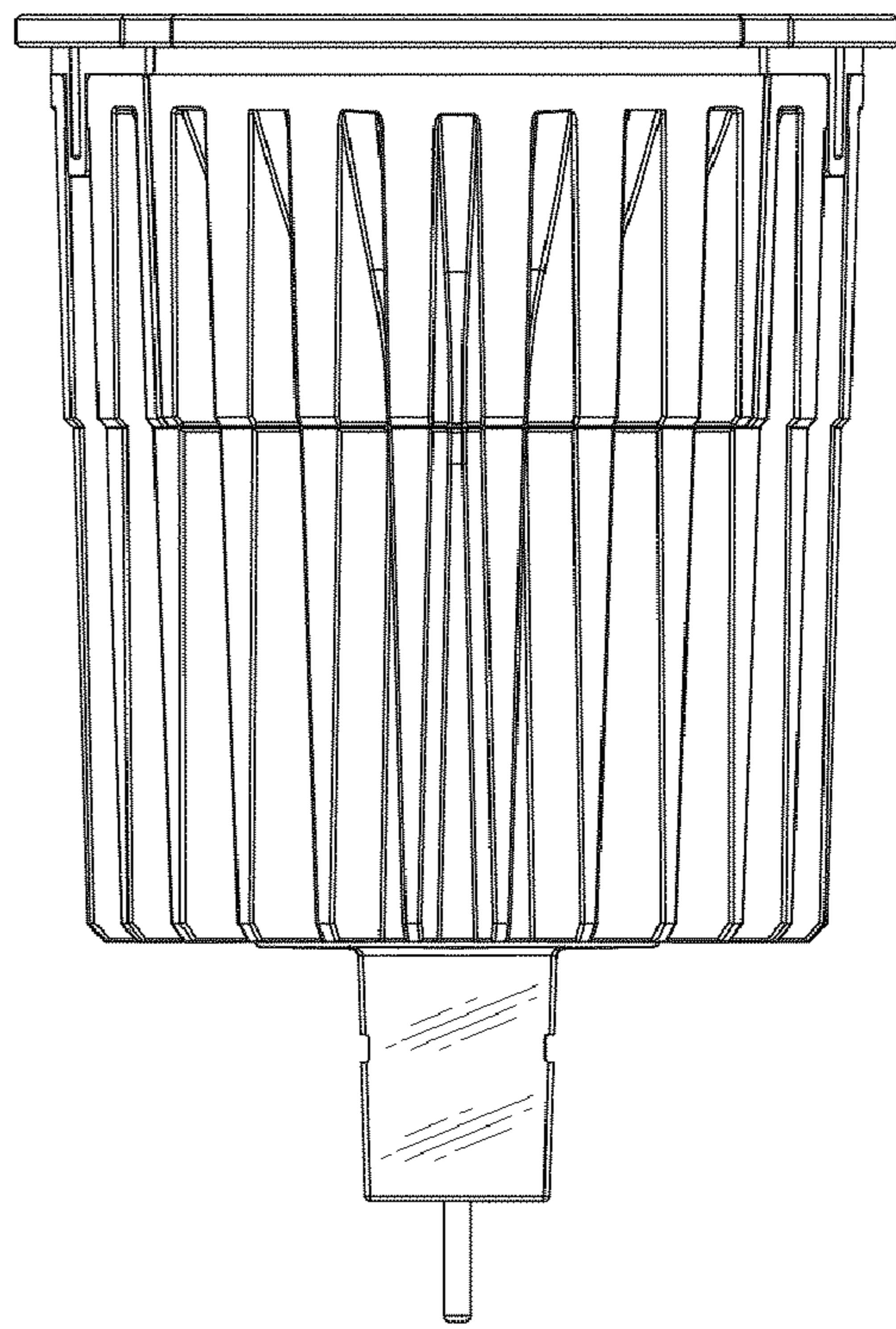


Fig.4

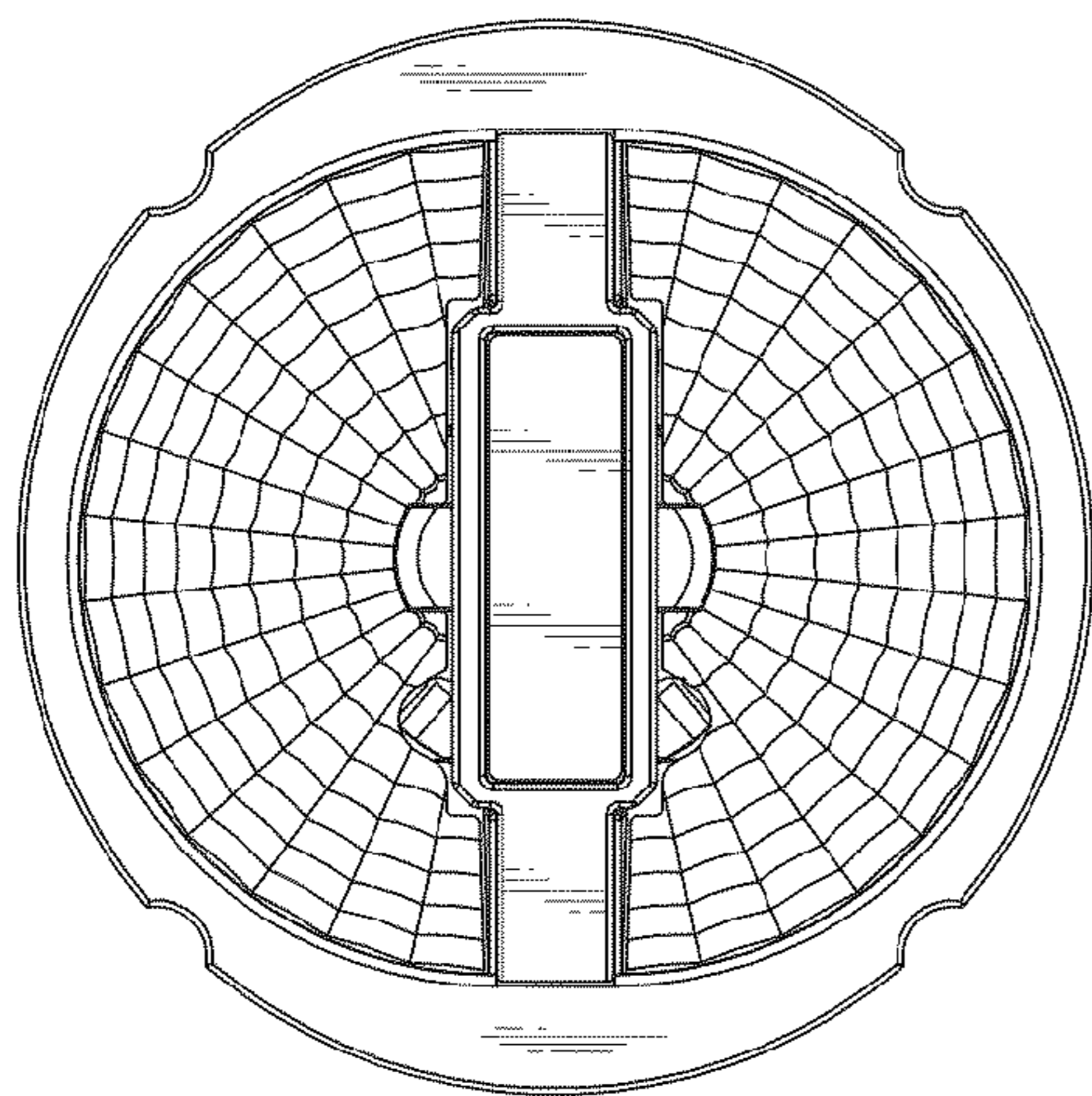


Fig.5

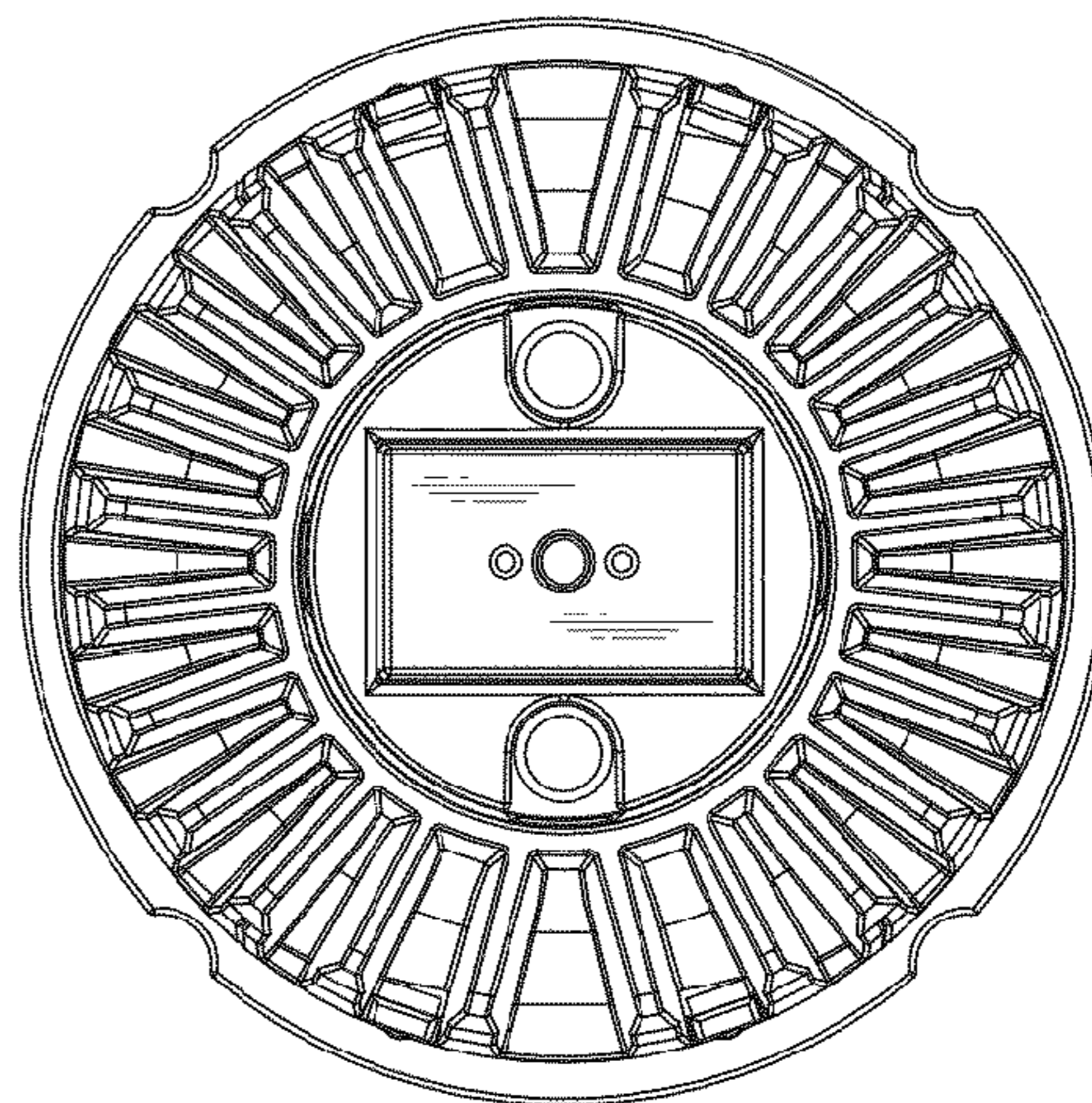


Fig.6

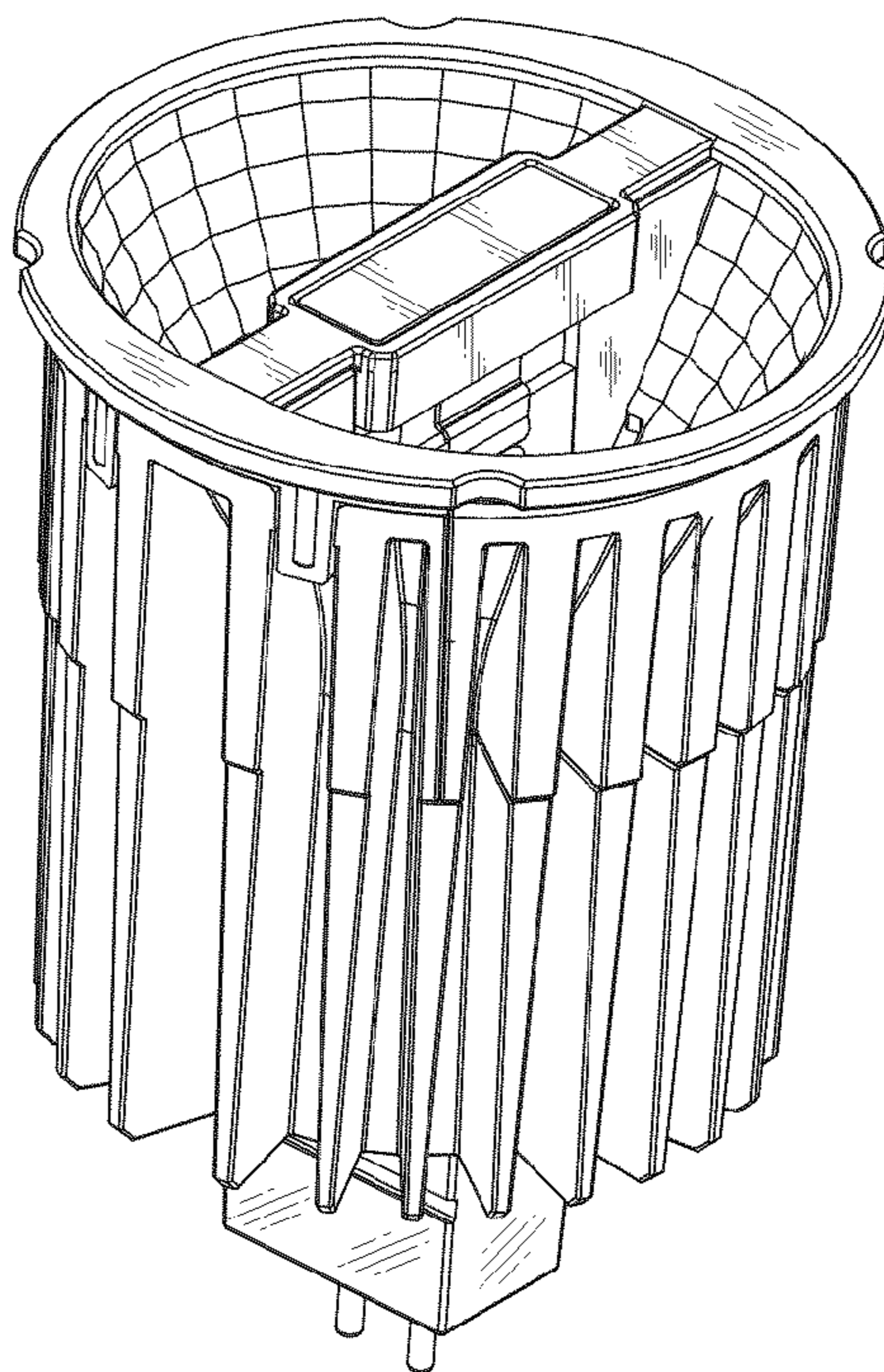


Fig.7

UNITED STATES PATENT AND TRADEMARK OFFICE
CERTIFICATE OF CORRECTION

PATENT NO. : D652,961 S
APPLICATION NO. : 29/376113
DATED : January 24, 2012
INVENTOR(S) : Onn Fah Foo

Page 1 of 1

It is certified that error appears in the above-identified patent and that said Letters Patent is hereby corrected as shown below:

On the Title page, item (30) delete "001692286-0001" and insert therefor --001692286-0003--.

Signed and Sealed this
Fourteenth Day of October, 2014



Michelle K. Lee
Deputy Director of the United States Patent and Trademark Office