



US00D652949S

(12) **United States Design Patent**
Skinner, Jr.

(10) **Patent No.:** **US D652,949 S**

(45) **Date of Patent:** **** Jan. 24, 2012**

(54) **INSECT WIND SCREEN**

(76) **Inventor:** **Gene A. Skinner, Jr.**, Portsmouth, VA
(US)

(**) **Term:** **14 Years**

(21) **Appl. No.:** **29/349,739**

(22) **Filed:** **Apr. 29, 2010**

(51) **LOC (9) Cl.** **25-02**

(52) **U.S. Cl.** **D25/53; D22/122**

(58) **Field of Classification Search** **D25/53,**
D25/52, 48; 160/12-13, 101-102, 105, 108,
160/95-100, DIG. 10, 217; D22/119, 122
See application file for complete search history.

(56) **References Cited**

U.S. PATENT DOCUMENTS

1,904,035 A * 4/1933 Webster 160/12
D338,966 S * 8/1993 Pinard D25/53

D473,319 S * 4/2003 Martin D25/53
D473,659 S * 4/2003 Martin D25/53
D518,577 S * 4/2006 Bunting et al. D25/53
D535,406 S * 1/2007 Martin D25/53

* cited by examiner

Primary Examiner — Catheri Oliver

(74) *Attorney, Agent, or Firm* — Richard L. Mikesell

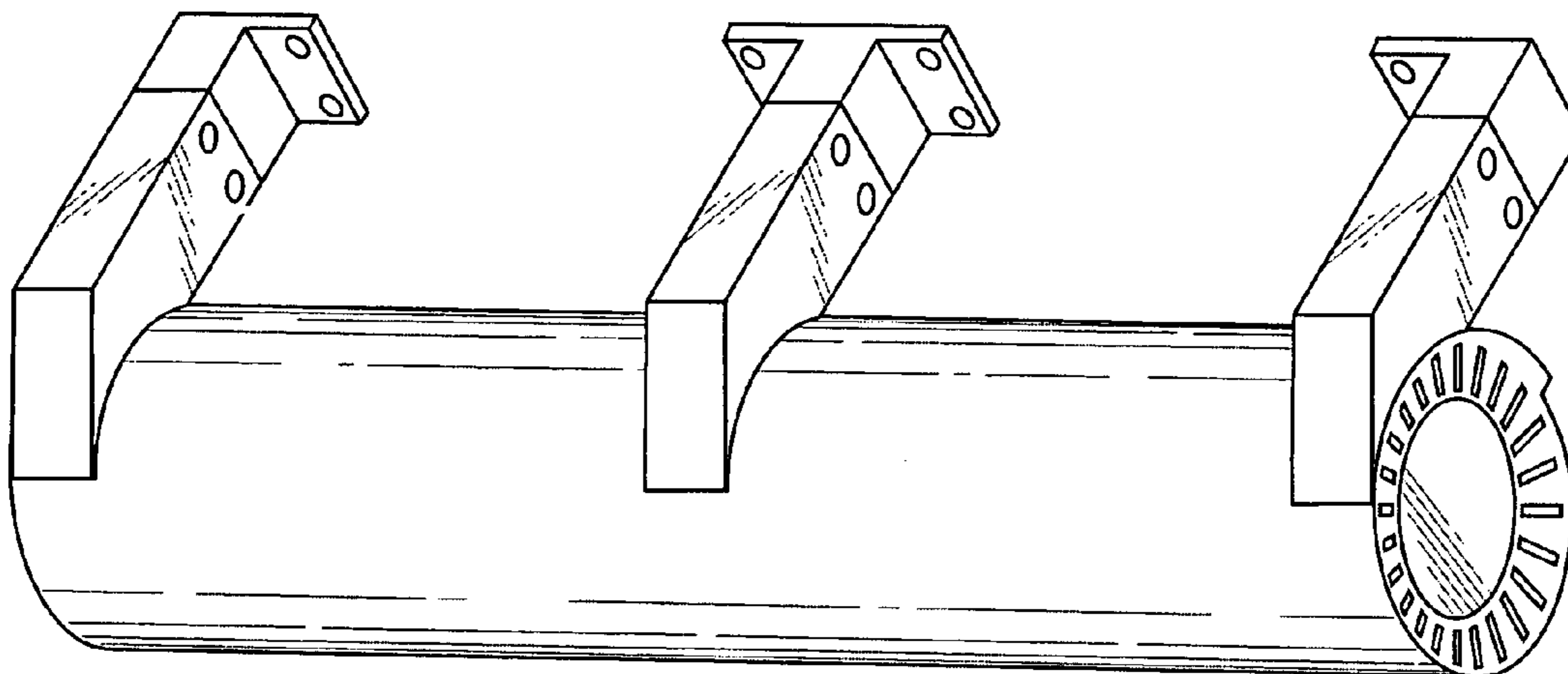
(57) **CLAIM**

The ornamental design for an insect wind screen, as shown and described.

DESCRIPTION

FIG. 1 is a top right perspective view of an insect wind screen;
FIG. 2 is a top plan view thereof;
FIG. 3 is a bottom plan view thereof;
FIG. 4 is a rear elevation view thereof;
FIG. 5 is a front elevation view thereof;
FIG. 6 is a side elevation view thereof; and,
FIG. 7 is an opposite side elevation view.

1 Claim, 4 Drawing Sheets



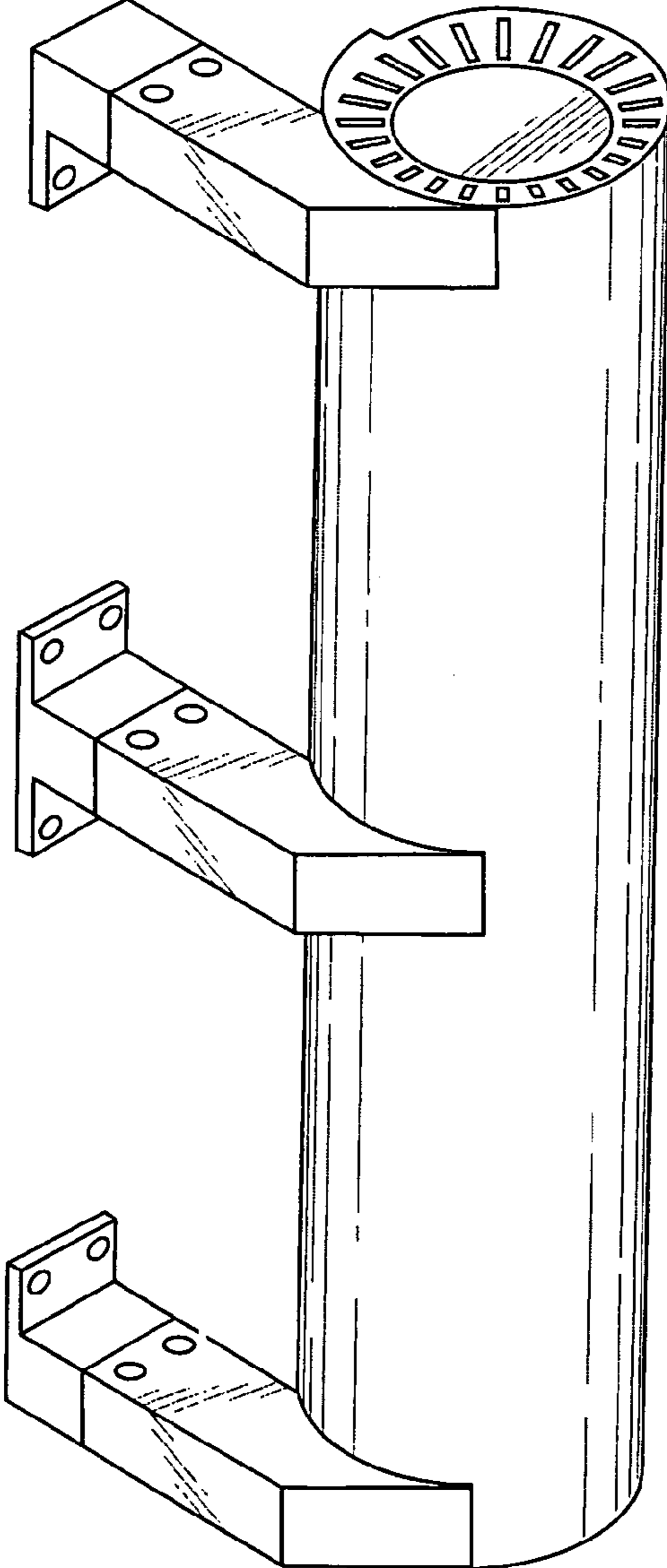


Fig. 1

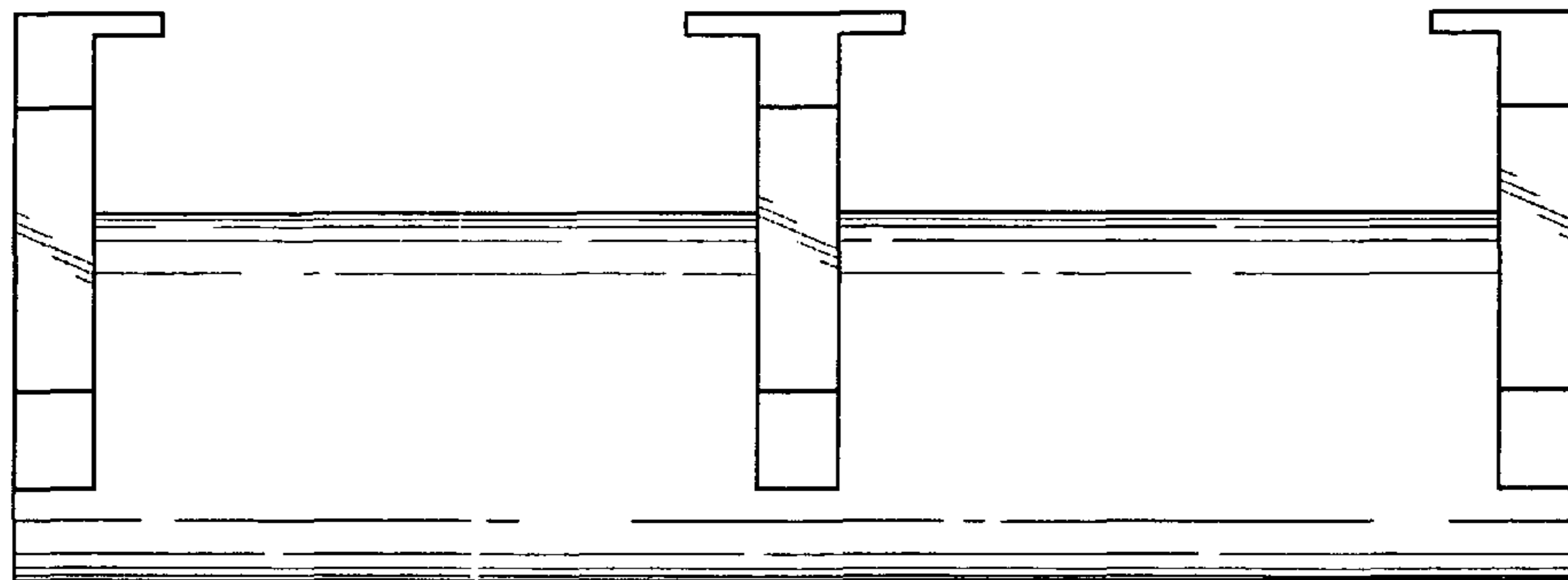


Fig. 2

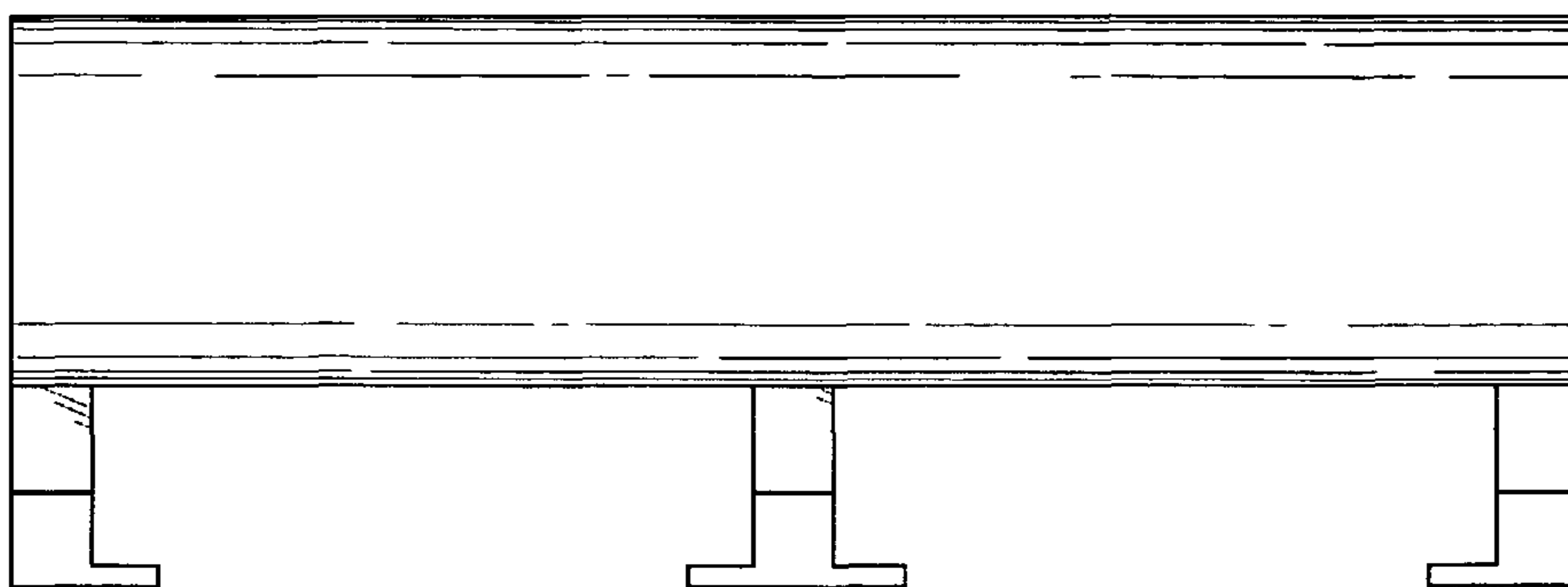


Fig. 3

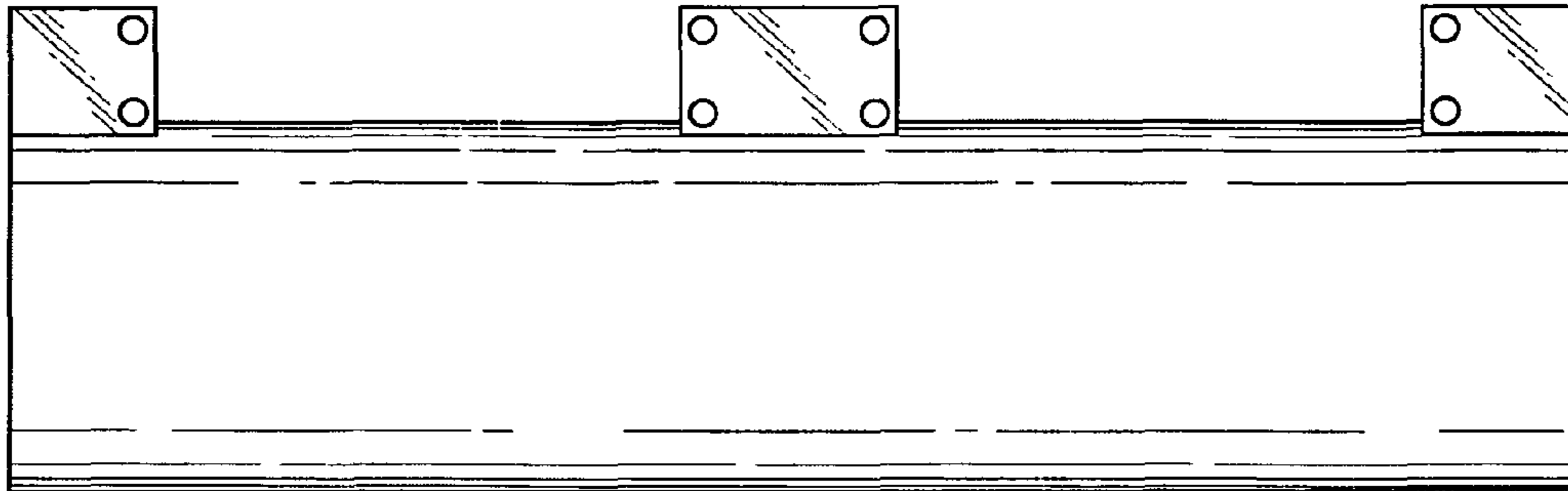


Fig. 4

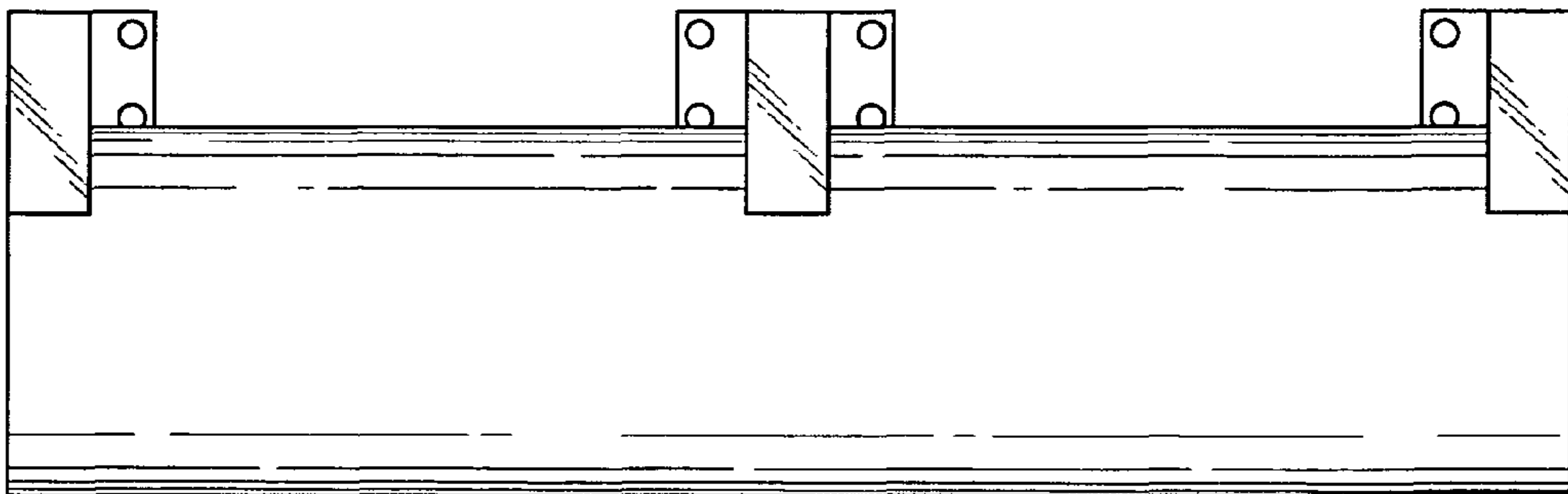


Fig. 5

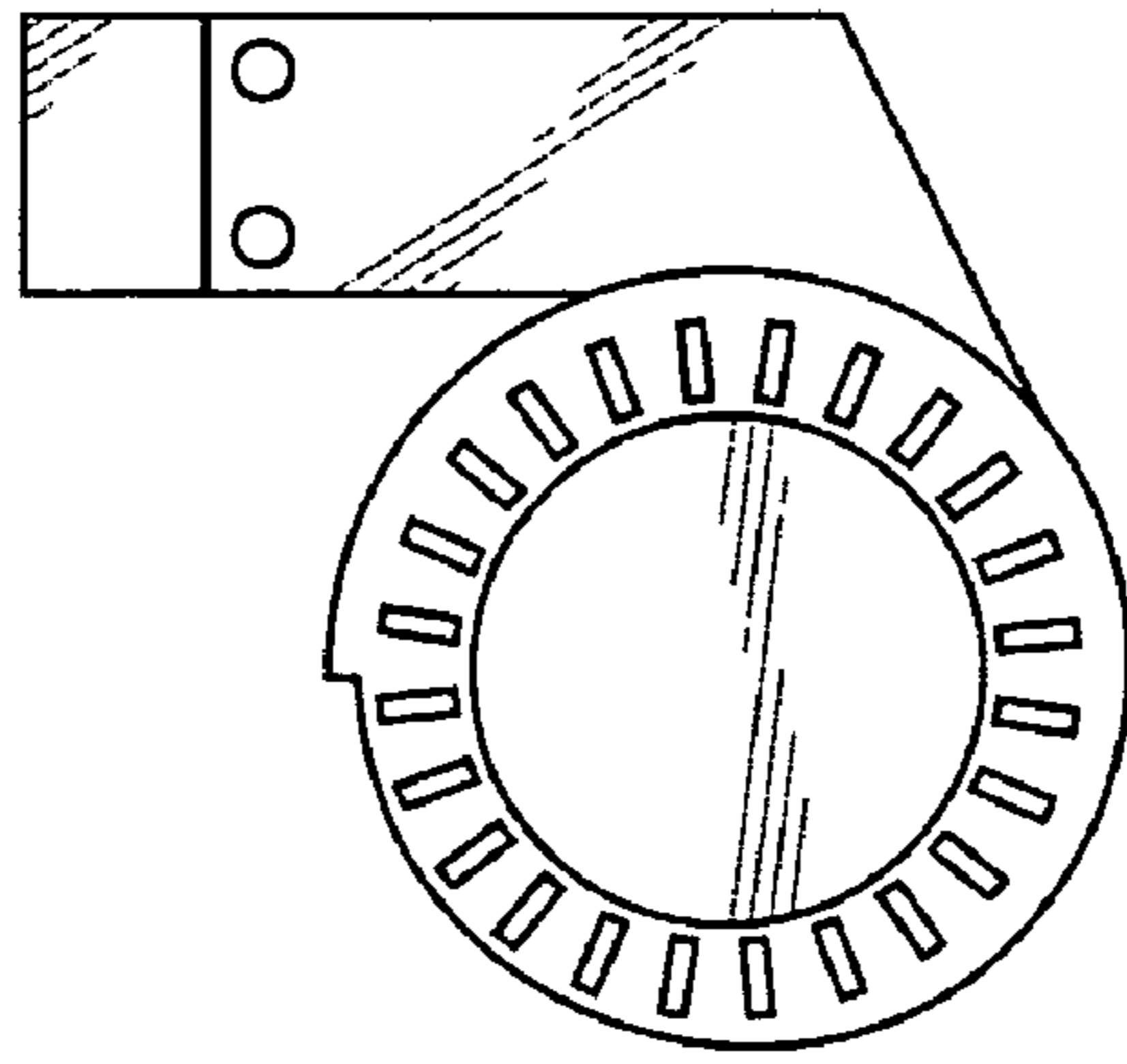


Fig. 6

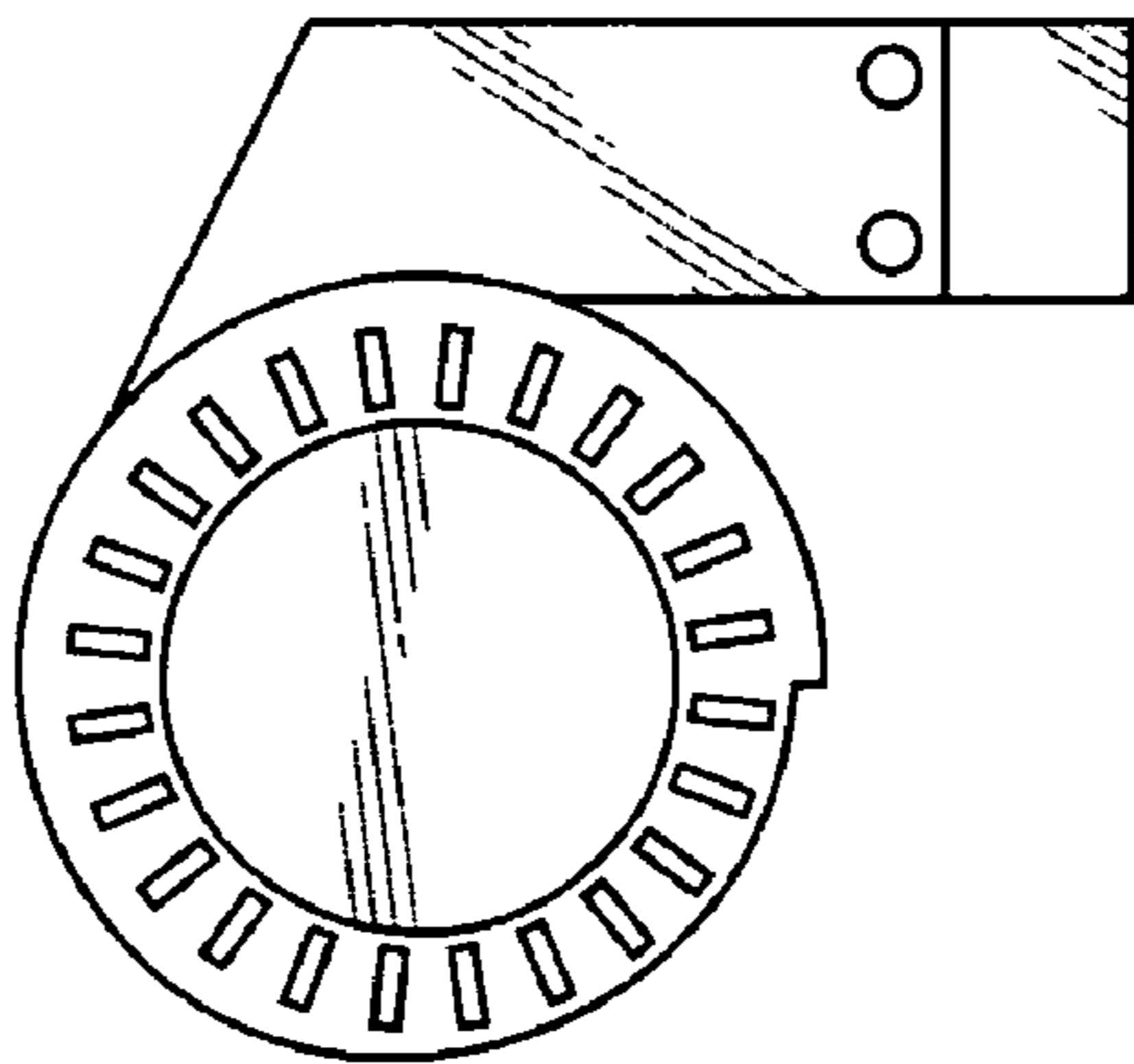


Fig. 7