

US00D652947S

(12) **United States Design Patent**
Philipak et al.

(10) **Patent No.:** **US D652,947 S**
(45) **Date of Patent:** **** Jan. 24, 2012**

(54) **INSTRUMENT FOR ANALYZING SPECIMEN CONTAINERS**

(75) Inventors: **Stanley M. Philipak**, Augusta, MO (US); **Frederic Paulhet**, Blyes (FR); **Mark Joseph Fanning**, Florissant, MO (US); **Richard Brock**, Chapel Hill, NC (US); **Mark W. Segrist**, Webster Groves, MO (US); **Thomas Gentles**, Chesterfield, MO (US)

(73) Assignee: **bioMerieux, Inc.**, Durham, NC (US)

(**) Term: **14 Years**

(21) Appl. No.: **29/372,361**

(22) Filed: **Nov. 12, 2010**

Related U.S. Application Data

(63) Continuation-in-part of application No. 12/780,126, filed on May 14, 2010.

(51) **LOC (9) Cl.** **24-01**

(52) **U.S. Cl.** **D24/216**

(58) **Field of Classification Search** D24/216-232, D24/186; D10/81; 422/500, 547, 62, 63; 435/287.1, 288.4; 436/43, 47, 46

See application file for complete search history.

(56) **References Cited**

U.S. PATENT DOCUMENTS

4,965,049	A *	10/1990	Lillig et al.	24/231
D320,073	S *	9/1991	Sakagami et al.	D24/232
D320,443	S *	10/1991	Yokoyama et al.	D24/231
D338,962	S *	8/1993	Ikegami et al.	D24/186
5,498,543	A	3/1996	Berndt	435/286
5,518,923	A	5/1996	Berndt et al.	435/287.3
5,679,309	A *	10/1997	Bell	436/43
D387,429	S *	12/1997	Murrell et al.	D24/231
5,817,507	A	10/1998	Berndt	435/287.3
5,817,508	A	10/1998	Berndt	435/287.3

5,833,925	A *	11/1998	Shu et al.	422/63
D418,596	S *	1/2000	Doms et al.	D24/107
6,068,437	A	5/2000	Boje et al.	414/331.02
6,521,183	B1 *	2/2003	Burri et al.	436/43
D512,155	S *	11/2005	Matsumoto	D24/216
D631,976	S *	2/2011	Oonuma et al.	D24/216
D648,035	S	11/2011	Philipak et al.	
2003/0040104	A1	2/2003	Barbera-Guillem	435/286.2
2007/0110617	A1 *	5/2007	Nagai et al.	422/65
2009/0098642	A1	4/2009	Kiyota et al.	435/286.2
2009/0325299	A1 *	12/2009	Hamada et al.	422/63
2010/0062522	A1	3/2010	Fanning et al.	435/303.1
2010/0291619	A1	11/2010	Robinson et al.	435/34
2011/0124028	A1	5/2011	Robinson et al.	435/29
2011/0124029	A1	5/2011	Remes et al.	435/29
2011/0124030	A1	5/2011	Philipak et al.	435/29
2011/0124038	A1	5/2011	Bishop et al.	435/34
2011/0124096	A1	5/2011	Philipak et al.	435/287.3
2011/0125314	A1	5/2011	Robinson et al.	700/228

* cited by examiner

Primary Examiner — Anhdao Doan

(74) *Attorney, Agent, or Firm* — McDonnell Boehnen Hulbert & Berghoff LLP

(57) **CLAIM**

The ornamental design for an instrument for analyzing specimen containers, as shown and described.

DESCRIPTION

FIG. 1 is a left and front perspective of an instrument for analyzing specimen containers showing the design; FIG. 2 is a front elevation view thereof; FIG. 3 is a right and front perspective view thereof; FIG. 4 is a left side elevation view thereof; FIG. 5 is a right side elevation view thereof; and, FIG. 6 is a top plan view thereof.

The broken lines in the drawing views are included for the purpose of illustrating portions of the instrument for analyzing specimen containers that forms no part of the claimed design.

1 Claim, 6 Drawing Sheets

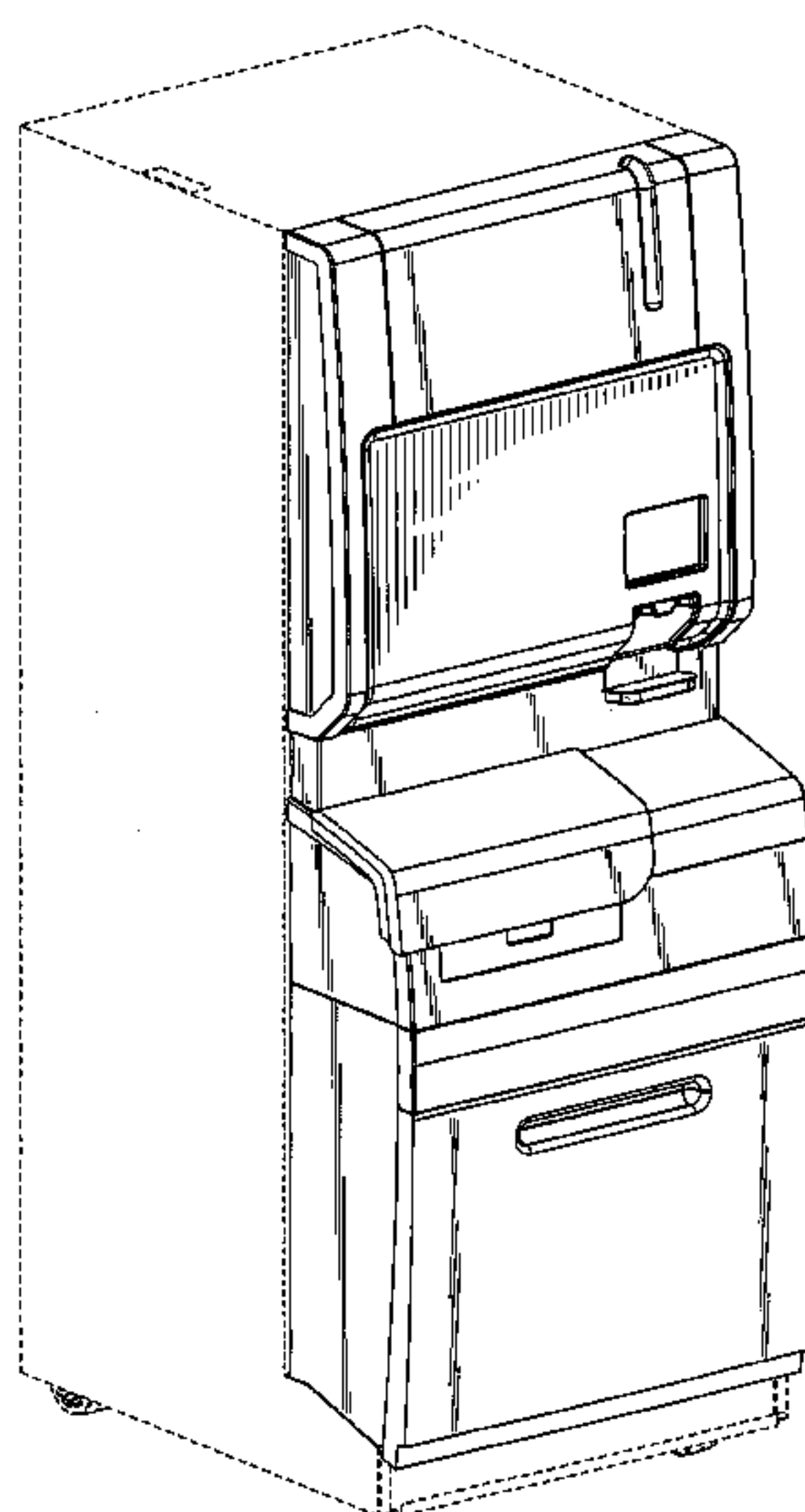


Fig. 1

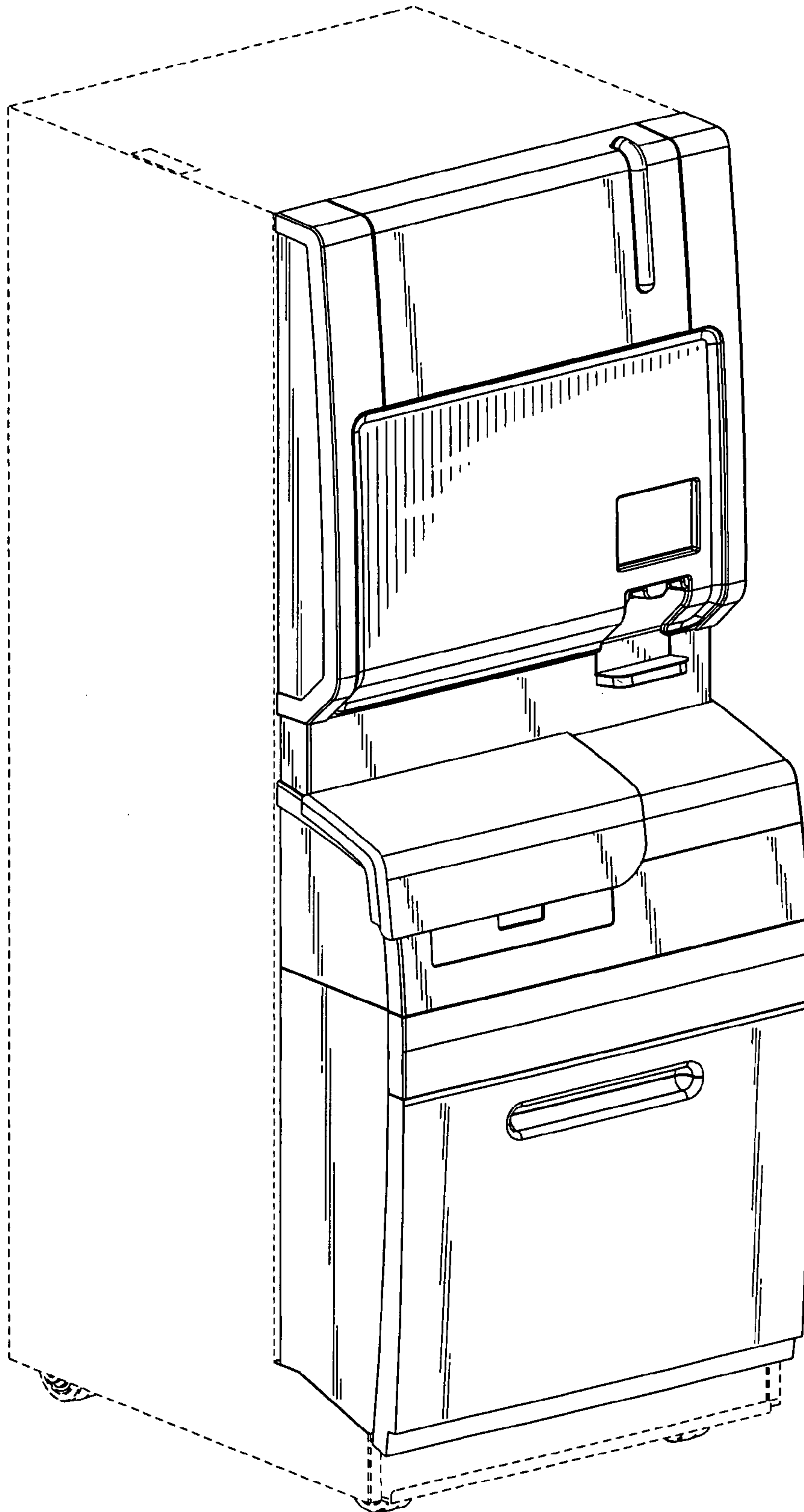


Fig. 2

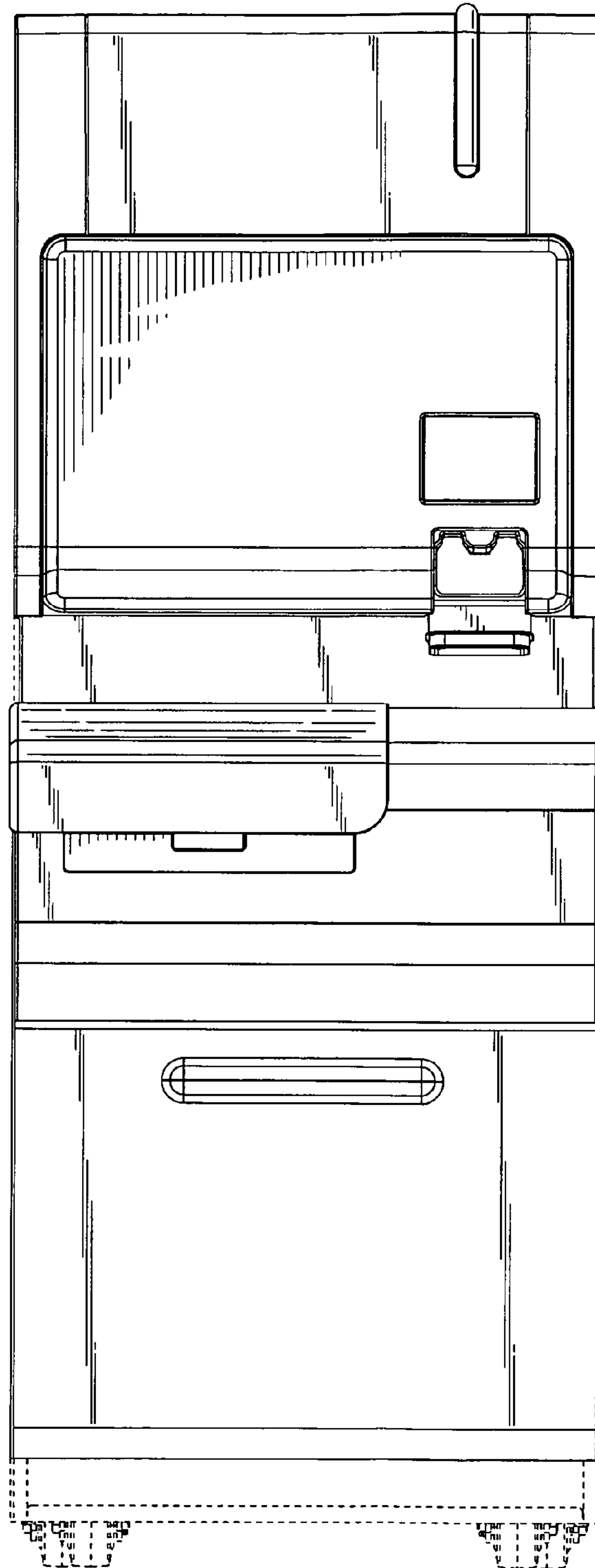


Fig. 3

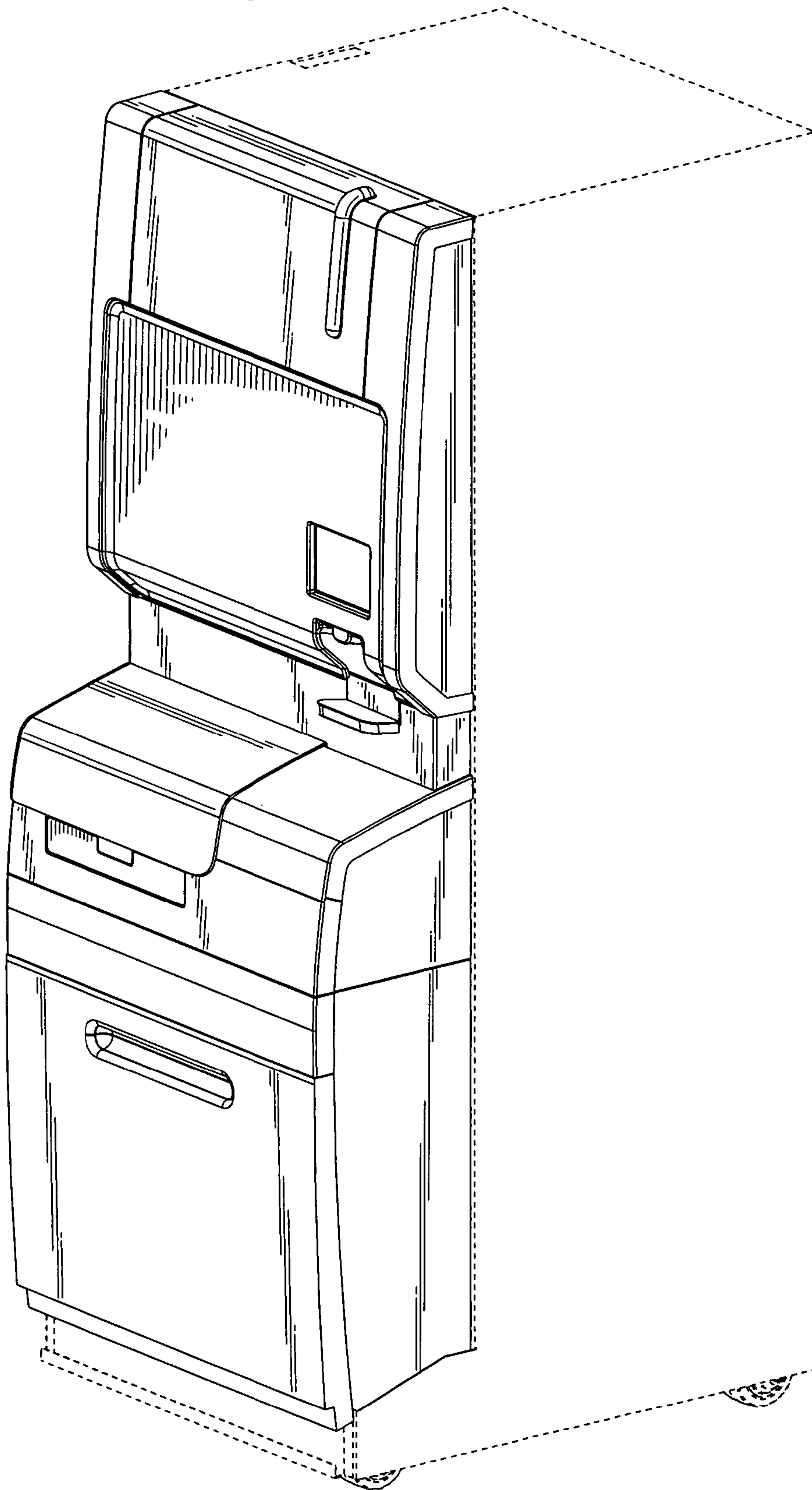


Fig. 4

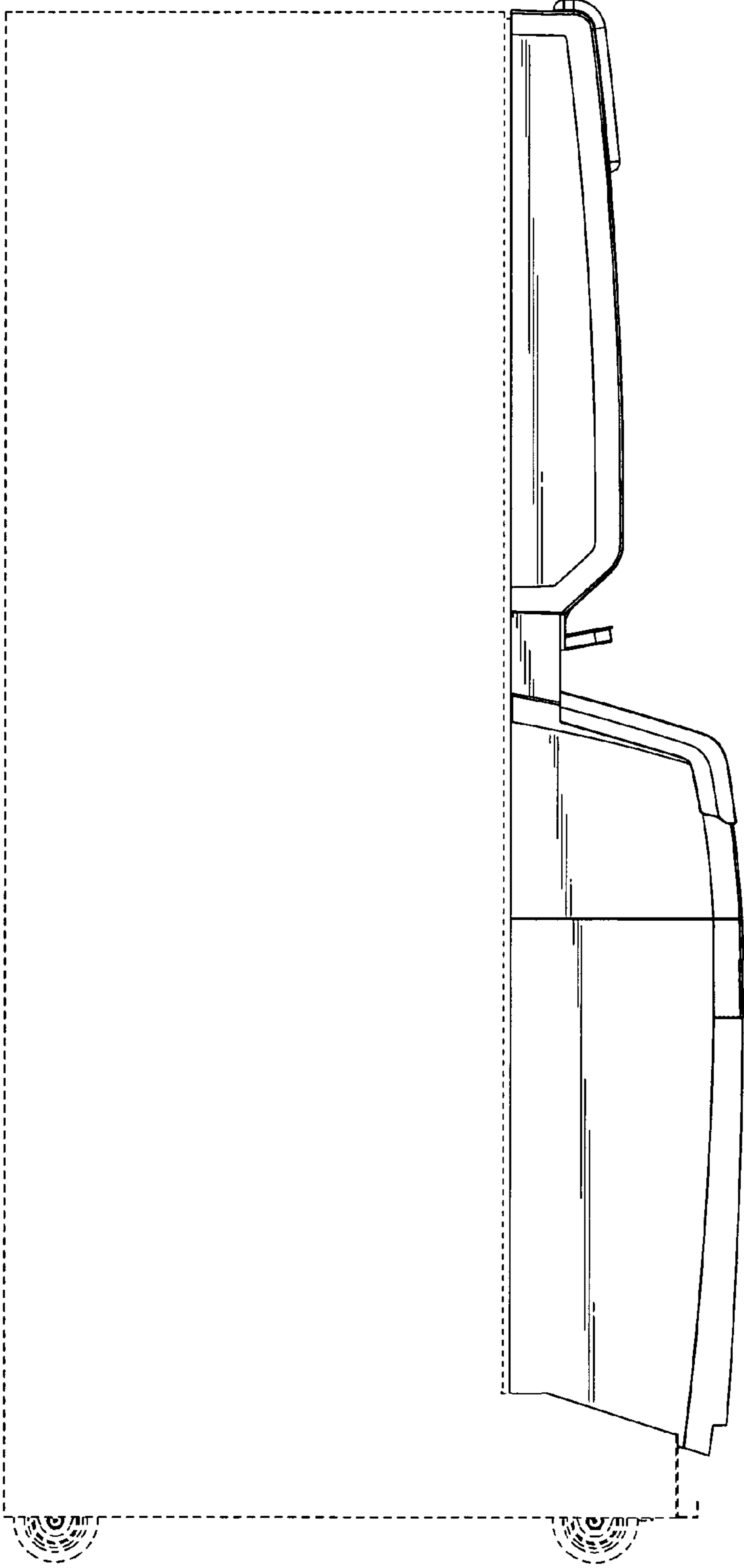


Fig. 5

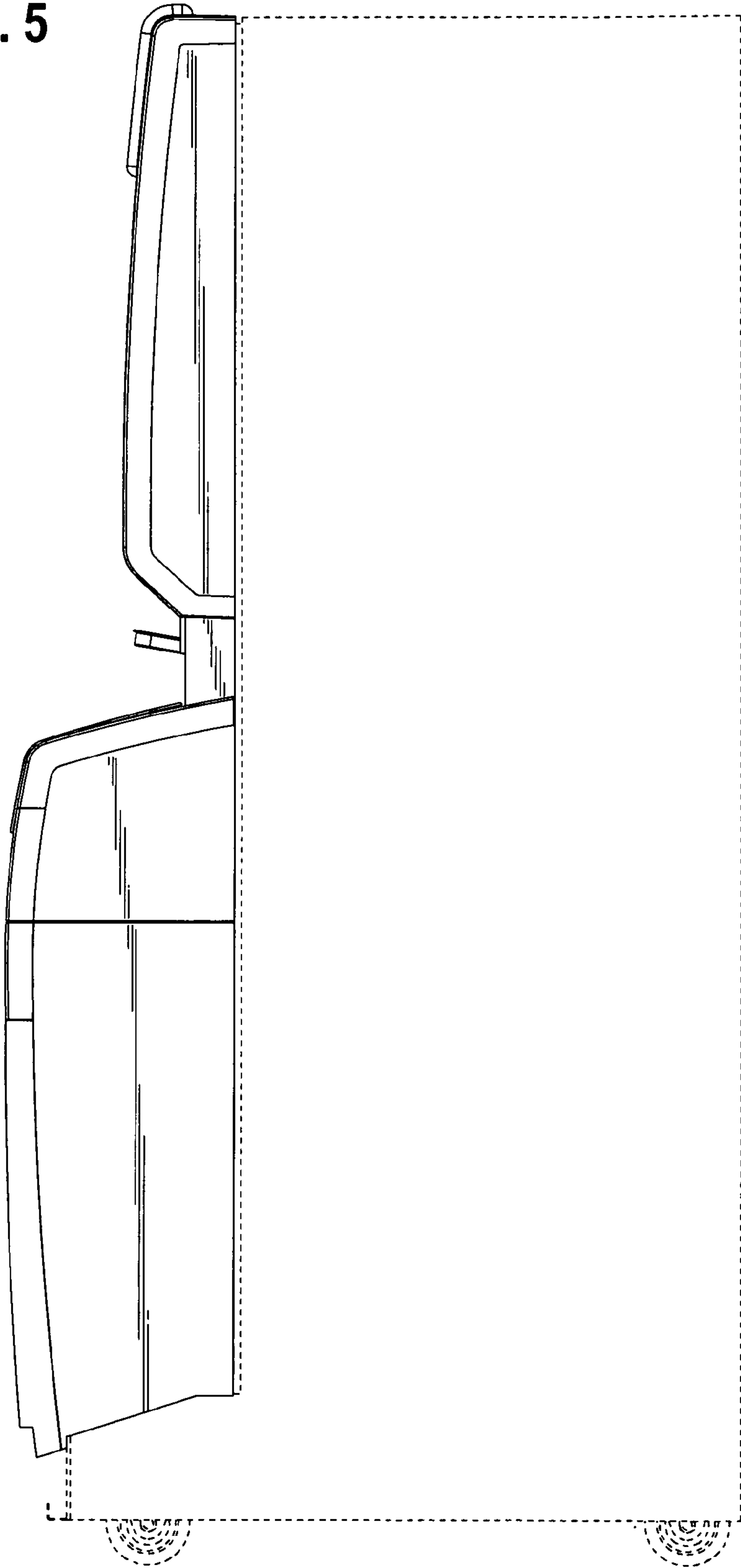


Fig. 6

