



US00D652944S

(12) **United States Design Patent**
deMouchet

(10) **Patent No.:** **US D652,944 S**

(45) **Date of Patent:** **** Jan. 24, 2012**

(54) **TRIPLE-G STIMULATOR**

(76) **Inventor:** **Morgan A. deMouchet**, Moreno Valley,
CA (US)

(**) **Term:** **14 Years**

(21) **Appl. No.:** **29/392,077**

(22) **Filed:** **May 17, 2011**

(51) **LOC (9) Cl.** **28-03**

(52) **U.S. Cl.** **D24/215**

(58) **Field of Classification Search** D24/200,
D24/211-215; 601/39, 40, 48, 52, 63, 68,
601/72, 80, 112, 113, 120, 121, 125, 134,
601/137, 138, DIG. 5, DIG. 14, DIG. 16,
601/DIG. 17

See application file for complete search history.

(56) **References Cited**

U.S. PATENT DOCUMENTS

D273,992 S *	5/1984	Burby et al.	D24/200
D281,013 S *	10/1985	Doyel	D24/215
5,725,473 A *	3/1998	Taylor	600/38
D437,939 S *	2/2001	Hirosawa	D24/215
D466,218 S *	11/2002	Dalton et al.	D24/215
D596,307 S *	7/2009	Stewart	D24/214

D604,425 S *	11/2009	Stewart	D24/214
D605,778 S *	12/2009	Moon	D24/212
D621,057 S *	8/2010	Astin	D24/200
D621,505 S *	8/2010	Gabbay et al.	D24/141
D621,944 S *	8/2010	Astin	D24/200
D636,887 S *	4/2011	Nan	D24/215
2010/0292531 A1 *	11/2010	Beaulieu	600/38

* cited by examiner

Primary Examiner — Sandra Snapp

(74) *Attorney, Agent, or Firm* — Hani Z. Sayed; Rutan & Tucker, LLP

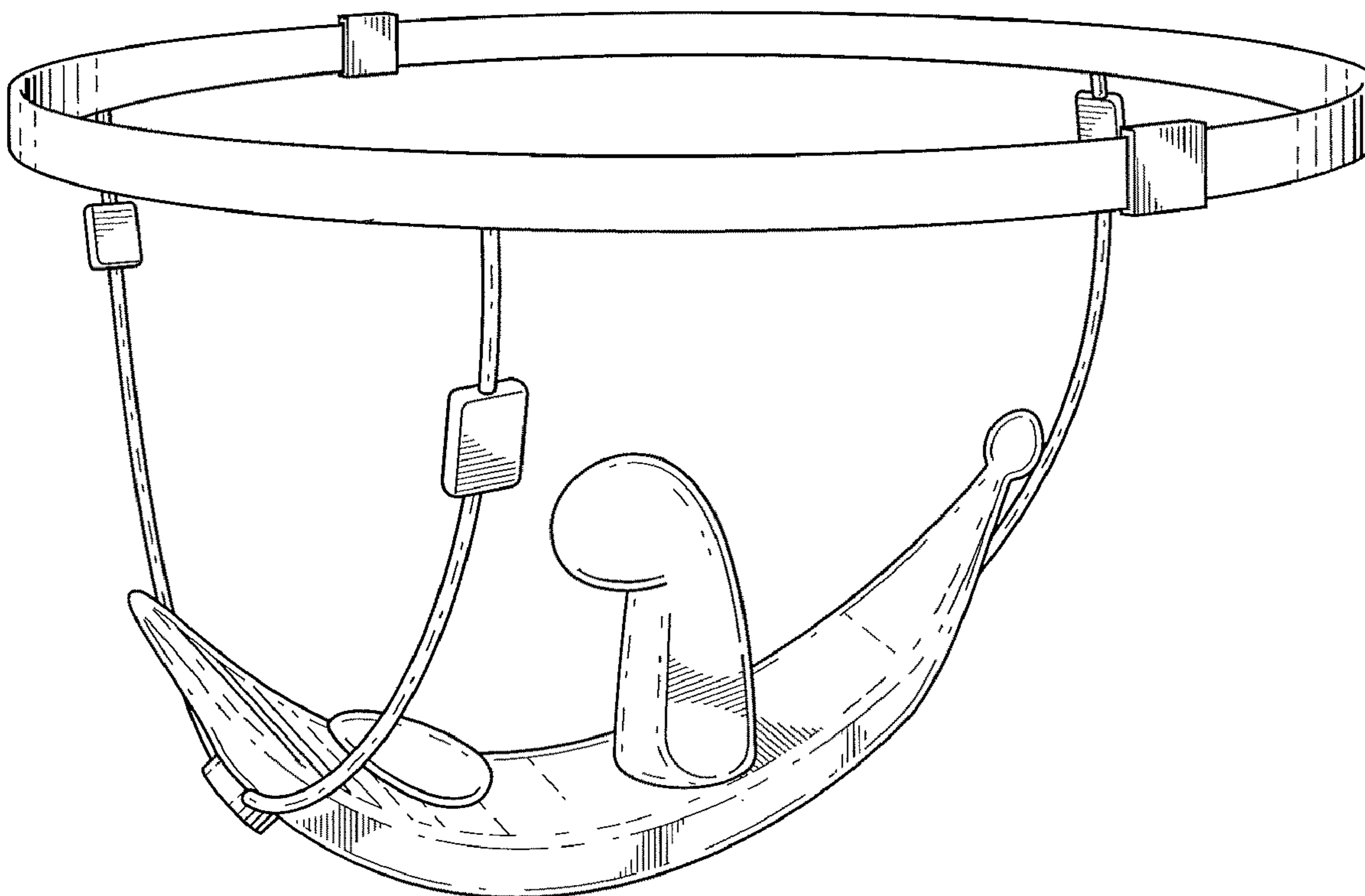
(57) **CLAIM**

The ornamental design for triple-G stimulator, as shown and described.

DESCRIPTION

FIG. 1 is a top, front, right side perspective view;
FIG. 2 is a top, rear, right side perspective view;
FIG. 3 is a top plan view;
FIG. 4 is a right side elevation view;
FIG. 5 is a bottom plan view;
FIG. 6 is a front elevation view;
FIG. 7 is a rear elevation view; and,
FIG. 8 is a left side elevation view.

1 Claim, 4 Drawing Sheets



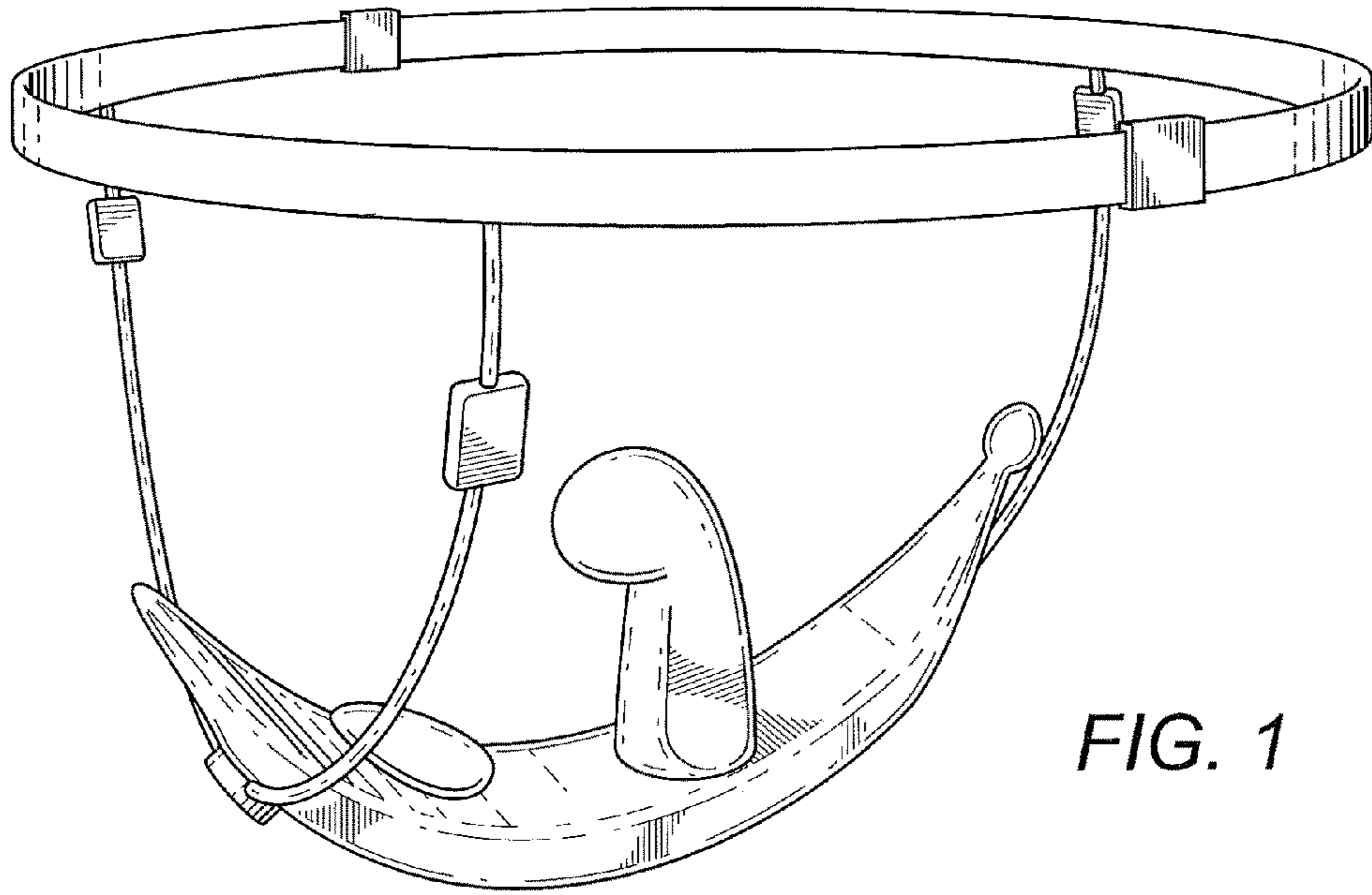


FIG. 1

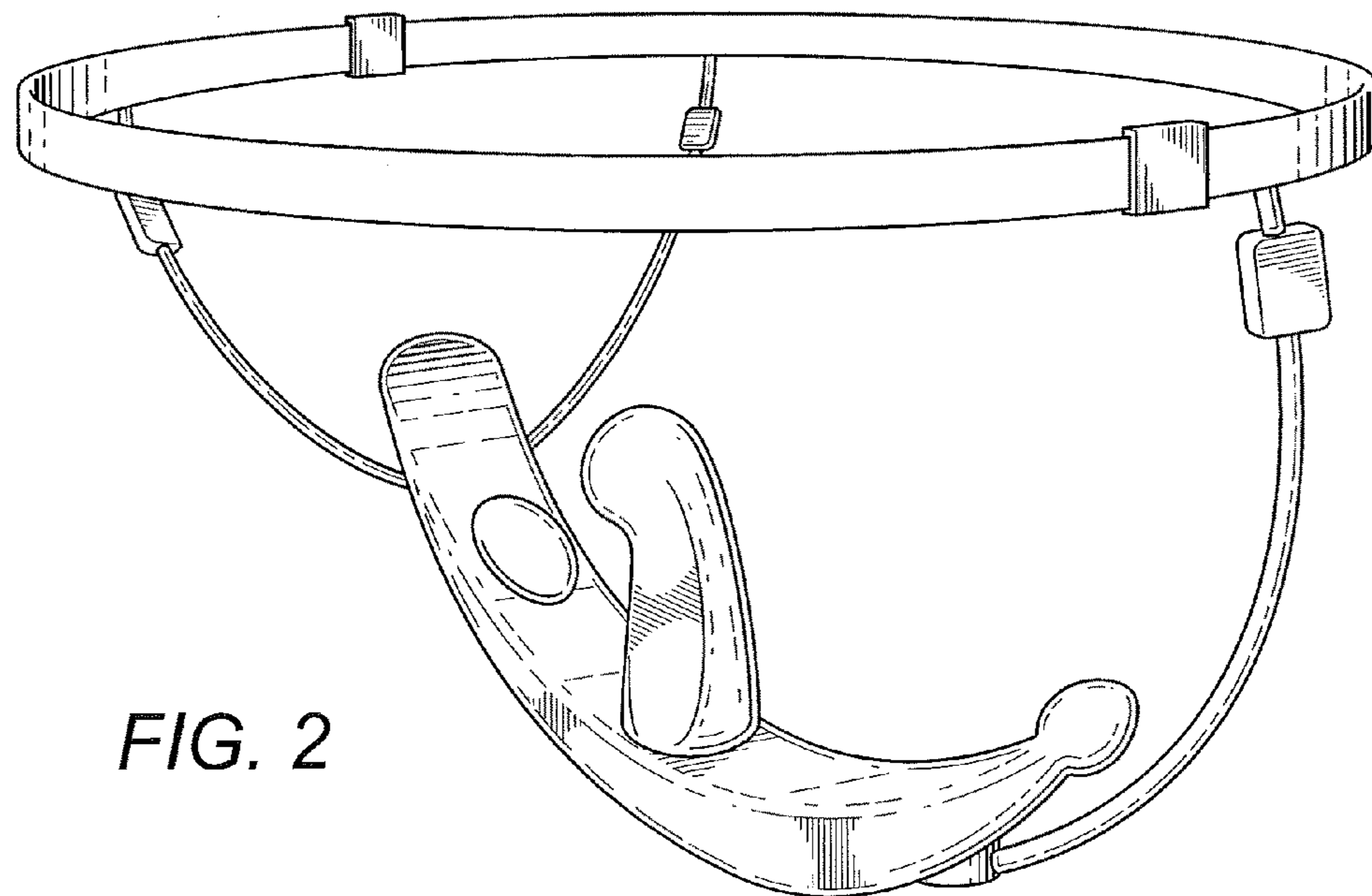


FIG. 2

FIG. 3

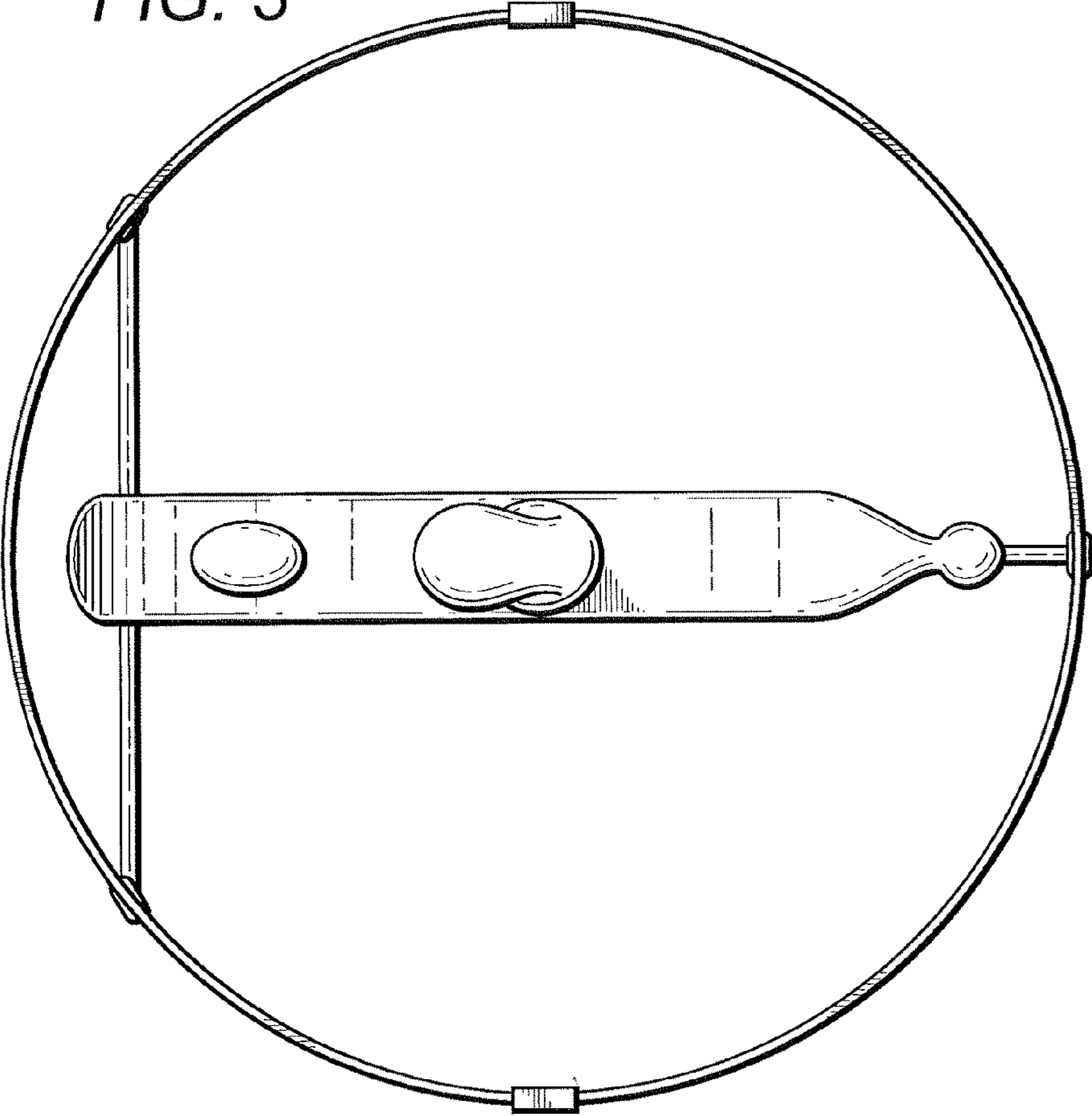
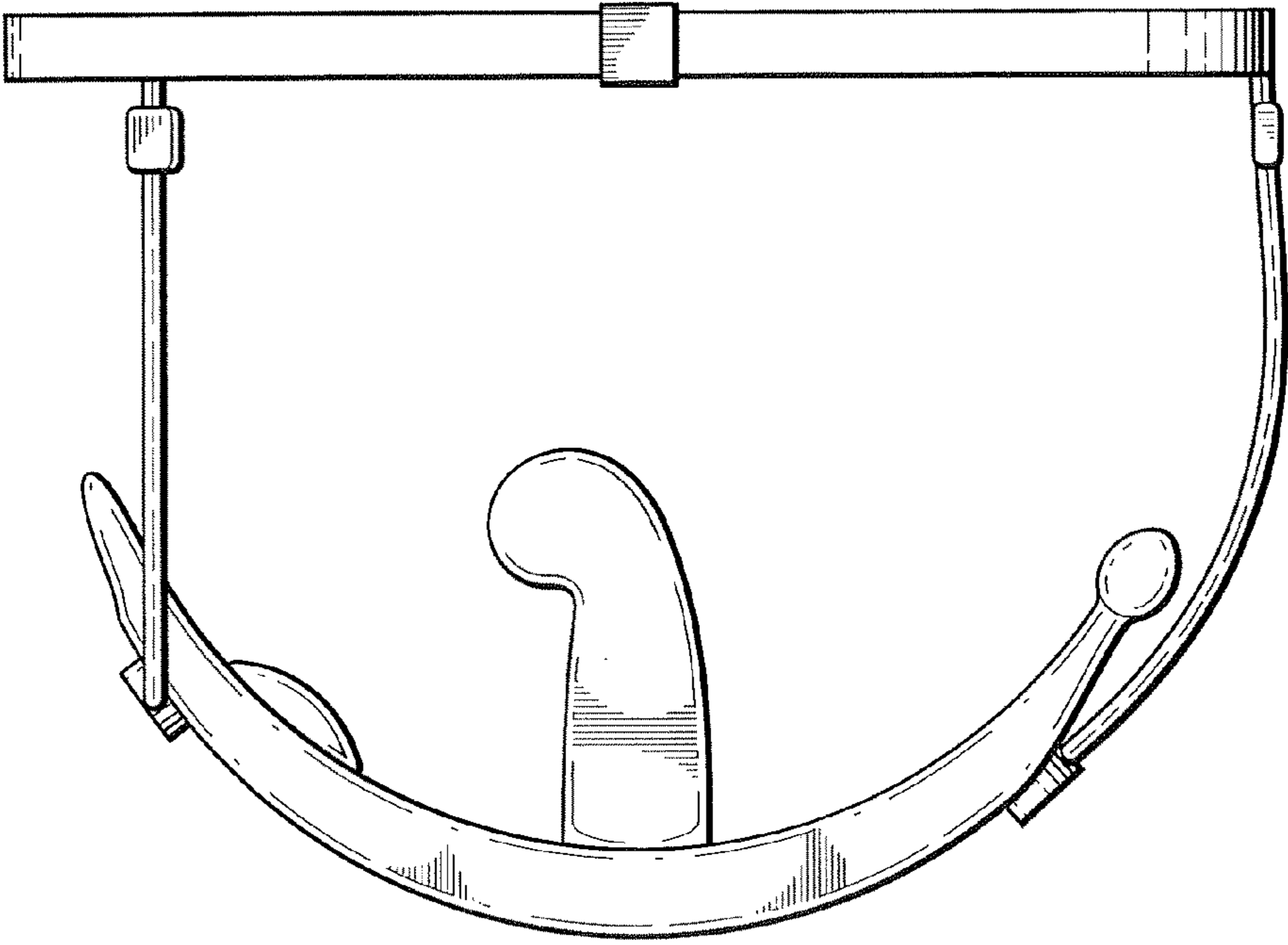


FIG. 4



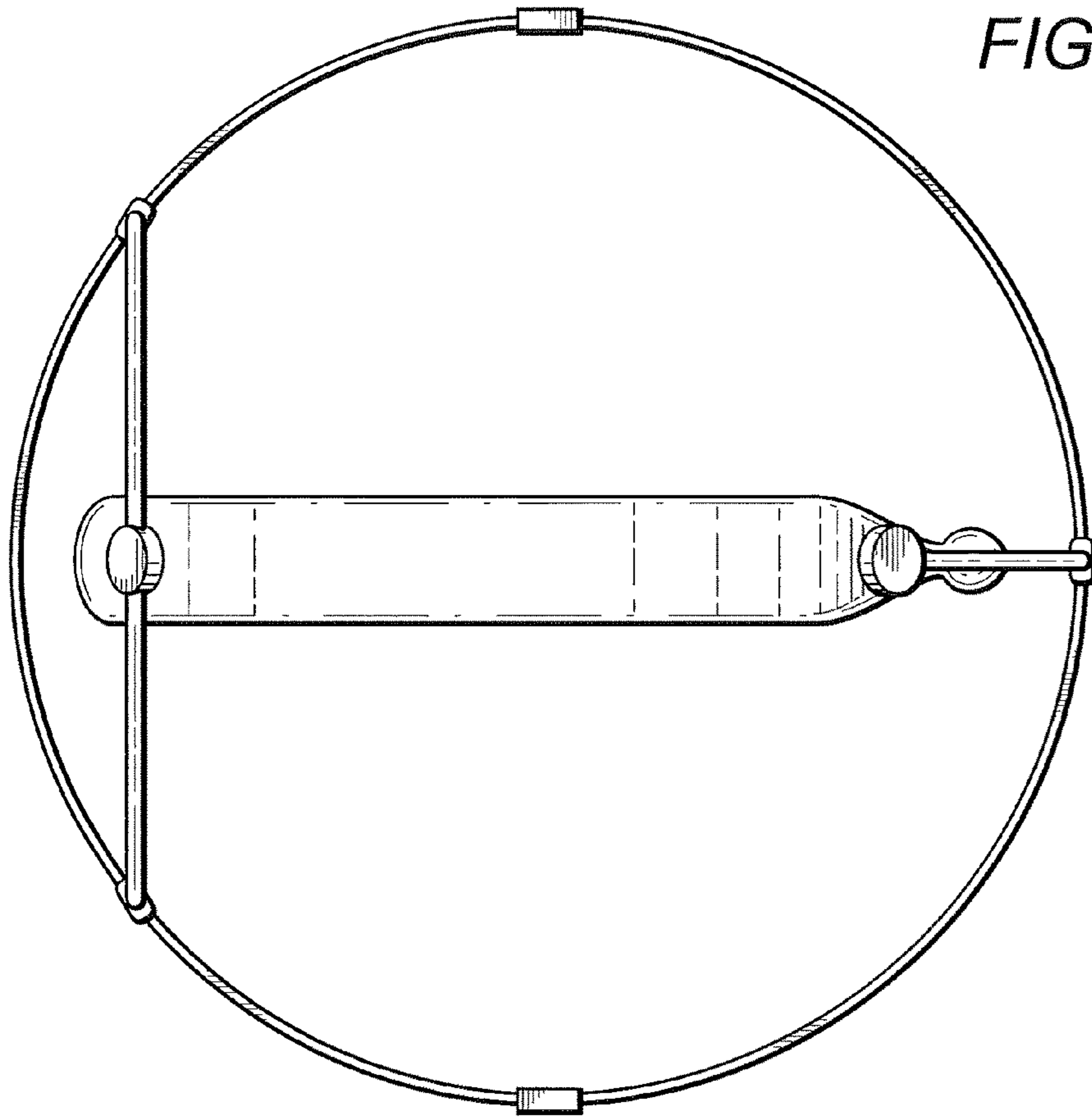


FIG. 5

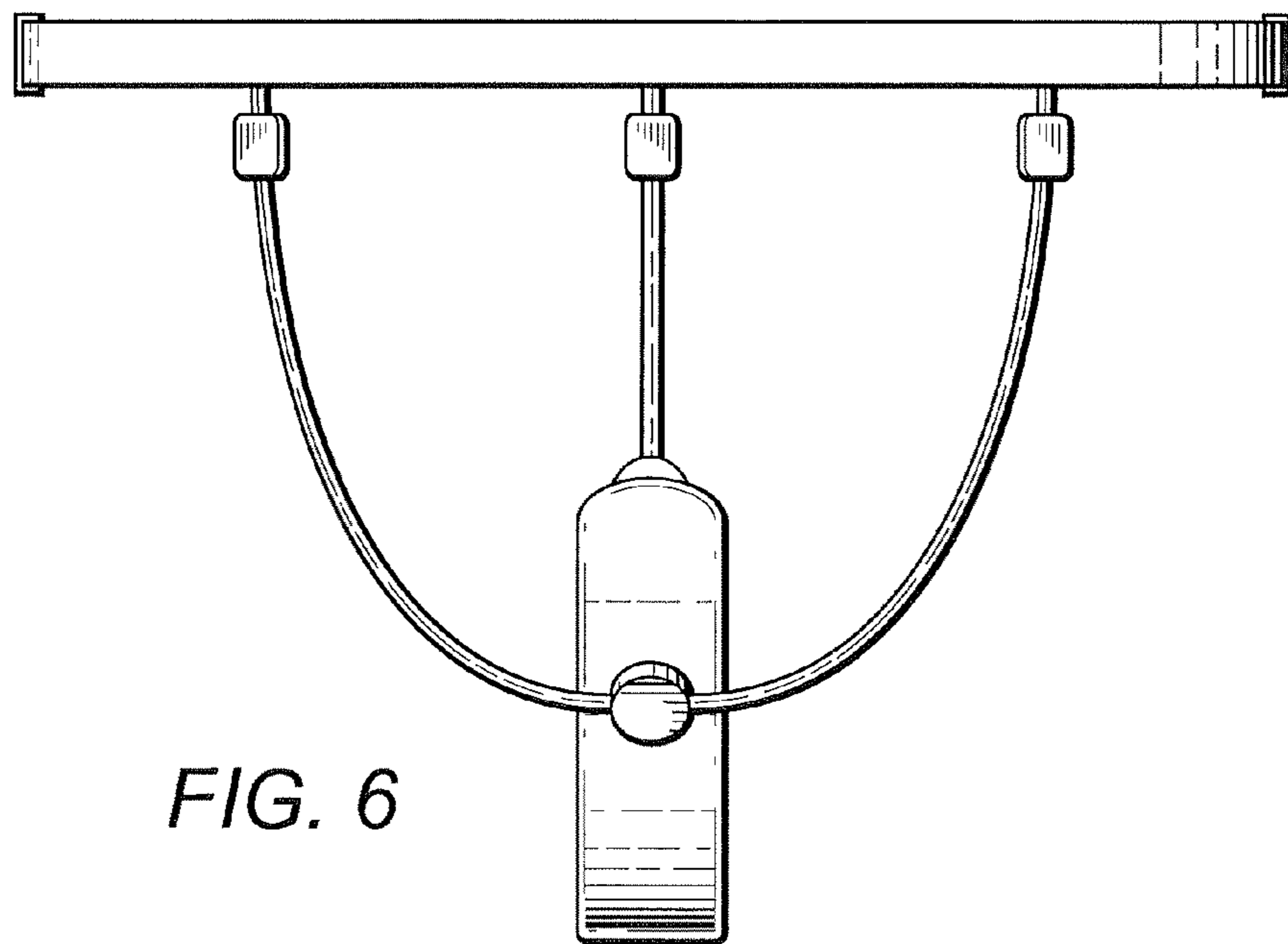


FIG. 6

FIG. 7

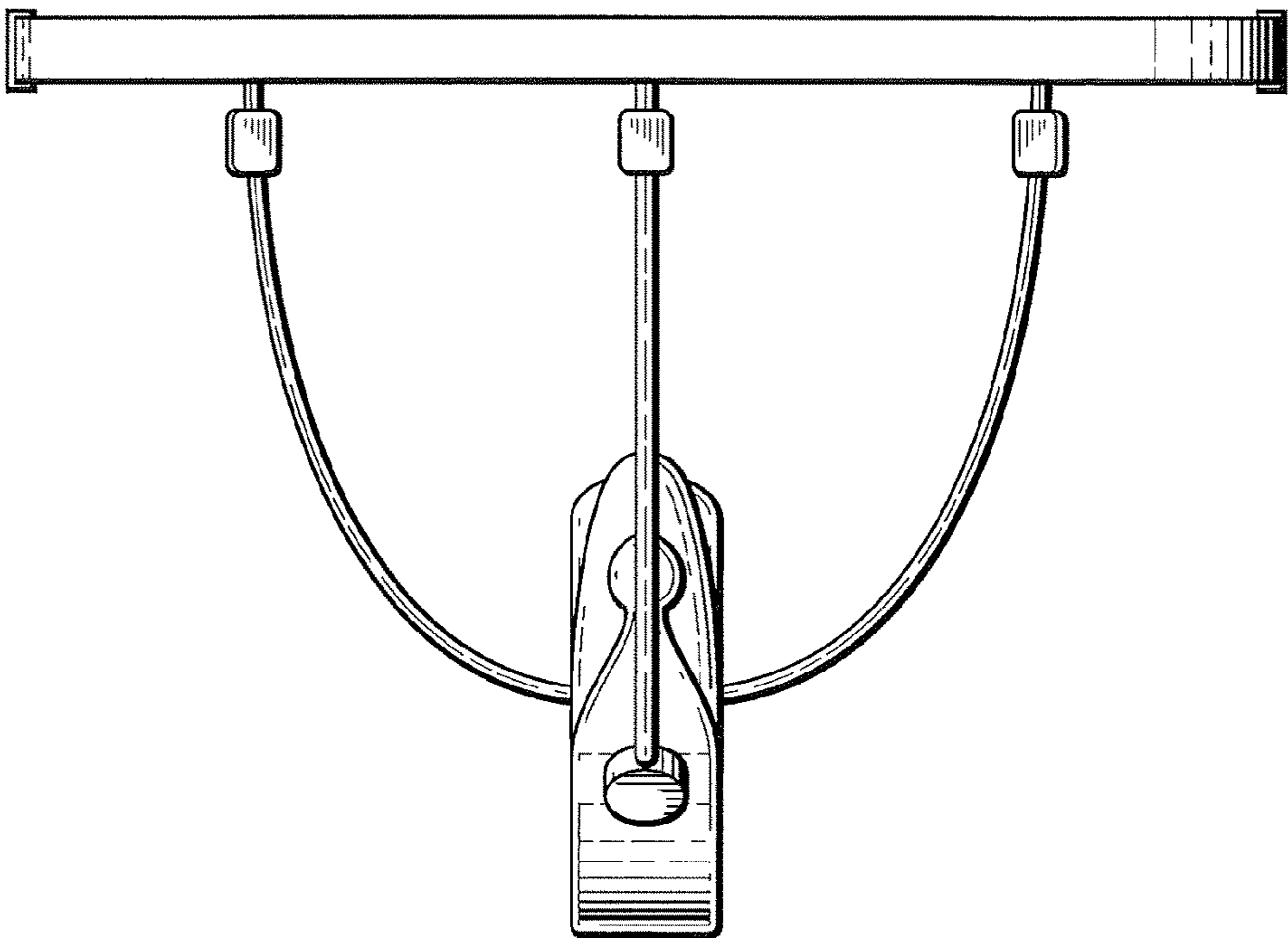


FIG. 8

