



US00D652941S

(12) **United States Design Patent**  
**Zamar**

(10) **Patent No.:** **US D652,941 S**

(45) **Date of Patent:** **\*\* Jan. 24, 2012**

(54) **STIMULATION APPARATUS**

(75) **Inventor:** **Antonios-Camille Zamar**, Eastbourne  
(GB)

(73) **Assignee:** **Auris Medical Limited** (GB)

(\*\*) **Term:** **14 Years**

(21) **Appl. No.:** **29/378,548**

(22) **Filed:** **Nov. 5, 2010**

(30) **Foreign Application Priority Data**

May 11, 2010 (EM) ..... 001706888-0001

(51) **LOC (9) Cl.** ..... **28-03**

(52) **U.S. Cl.** ..... **D24/215**

(58) **Field of Classification Search** ..... D24/200,  
D24/211-215; 601/118, 120, 121, 124, 125,  
601/130, 131, 134-137

See application file for complete search history.

(56) **References Cited**

**U.S. PATENT DOCUMENTS**

D310,416	S *	9/1990	Yamasaki	.....	D24/211
6,338,721	B1	1/2002	Lebecque		
D596,750	S *	7/2009	Lev et al.	.....	D24/212
D615,662	S *	5/2010	Turner	.....	D24/200
D619,268	S *	7/2010	Sugiyama et al.	.....	D24/212
2010/0081973	A1 *	4/2010	Tsai et al.	.....	601/134

**FOREIGN PATENT DOCUMENTS**

DE	29807440	U1	8/1998
DE	20311823	U1	9/2003
WO	9844852	A1	10/1998
WO	9936008	A1	7/1999

\* cited by examiner

*Primary Examiner* — Sandra Snapp

(74) *Attorney, Agent, or Firm* — Laubscher & Laubscher,  
P.C.

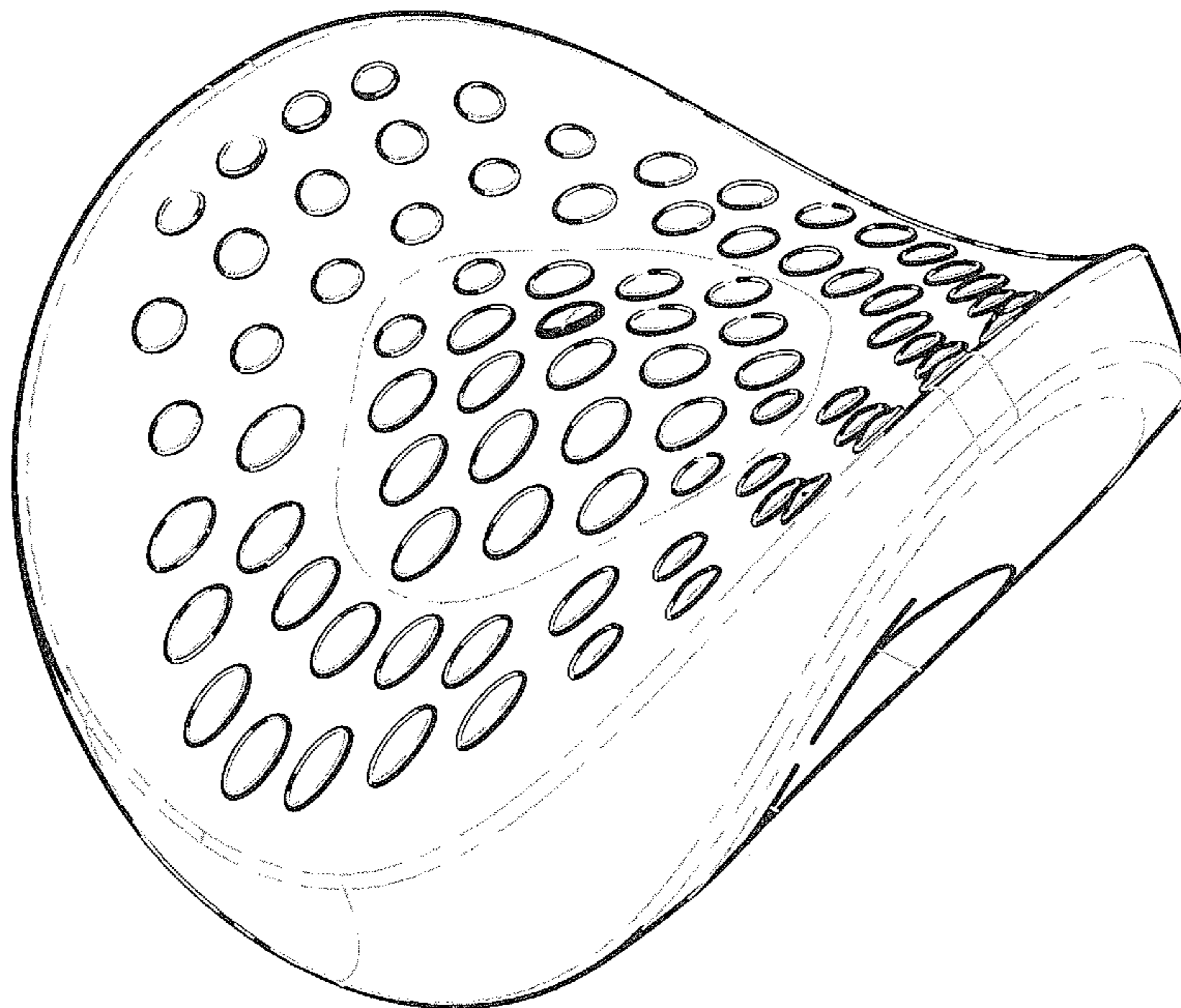
(57) **CLAIM**

The ornamental design for a stimulation apparatus, as shown and described.

**DESCRIPTION**

FIG. 1 is a front, top perspective view of the stimulation apparatus which is comprised of an insert and a housing; FIG. 2 is a front elevation view of an insert for the stimulation apparatus of my design; FIG. 3 is a left side elevation view of the insert of FIG. 2; FIG. 4 is a right side elevation view of the insert of FIG. 2; FIG. 5 is a rear elevation view of the insert of FIG. 2; FIG. 6 is a top elevation view of the insert of FIG. 2; FIG. 7 is a bottom elevation view of the insert of FIG. 2; FIG. 8 is a front perspective view of the insert of FIG. 2; FIG. 9 is a front elevation view of a housing for the stimulation apparatus of my design; FIG. 10 is a left side elevation view of the housing of FIG. 9; FIG. 11 is a right side elevation view of the housing of FIG. 9; FIG. 12 is a top elevation view of the housing of FIG. 9; FIG. 13 is a bottom elevation view of the housing of FIG. 9; FIG. 14 is a rear elevation view of the housing of FIG. 9; and, FIG. 15 is a front perspective view of the housing of FIG. 9. The broken lines shown in the drawings are for illustrative purposes only and form no part of the claimed invention.

**1 Claim, 15 Drawing Sheets**



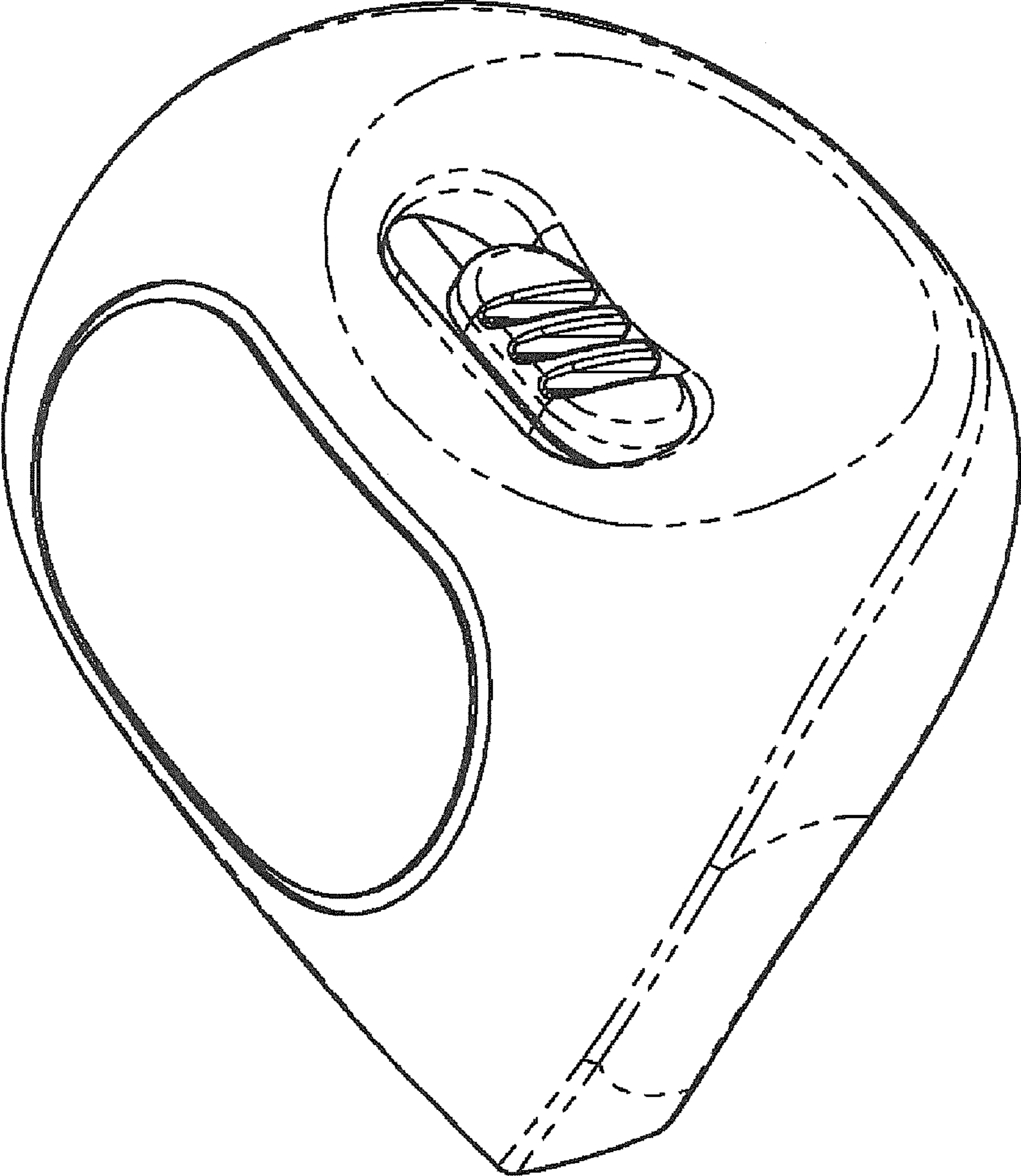


Fig. 1

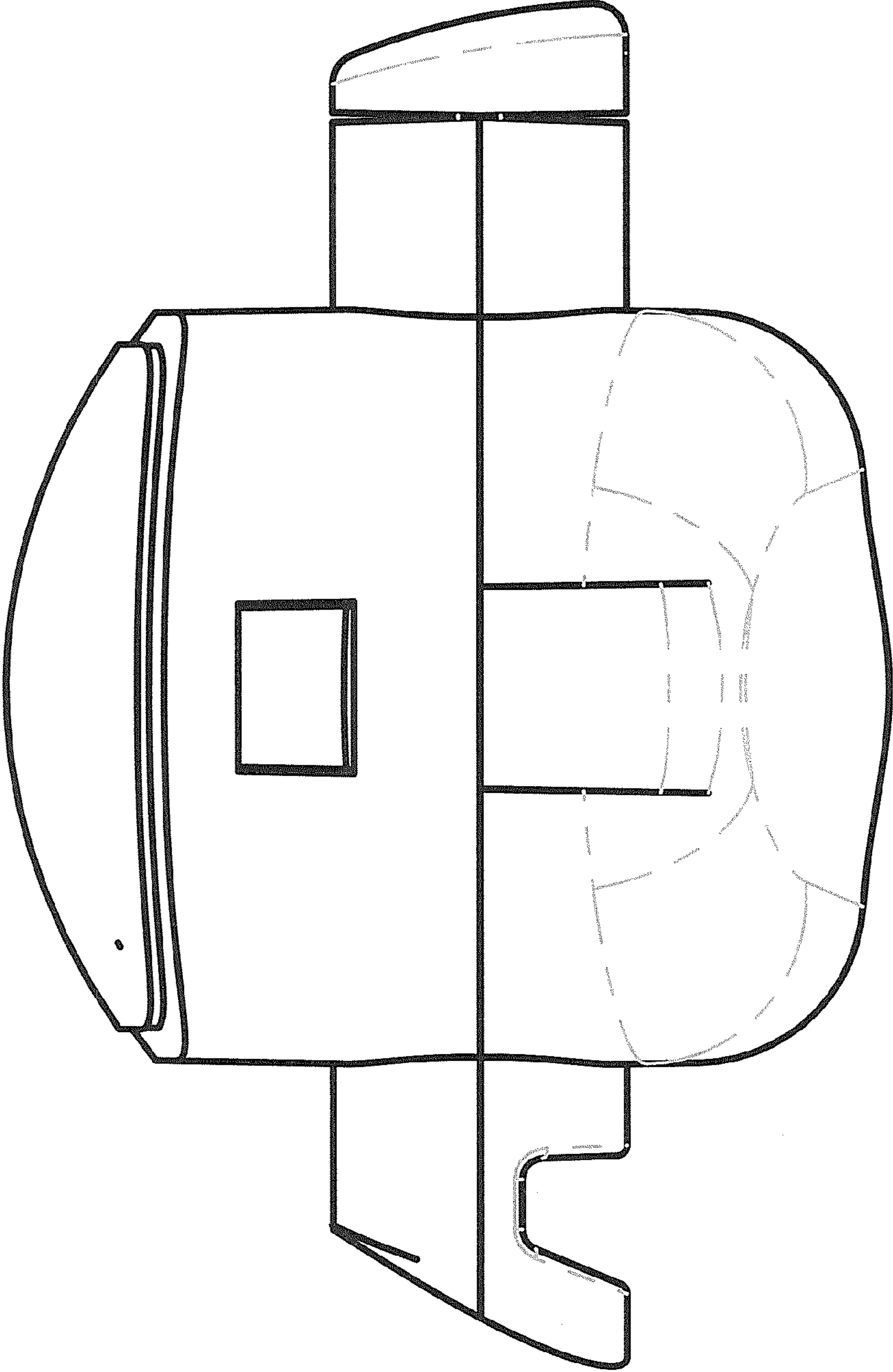


Fig. 2

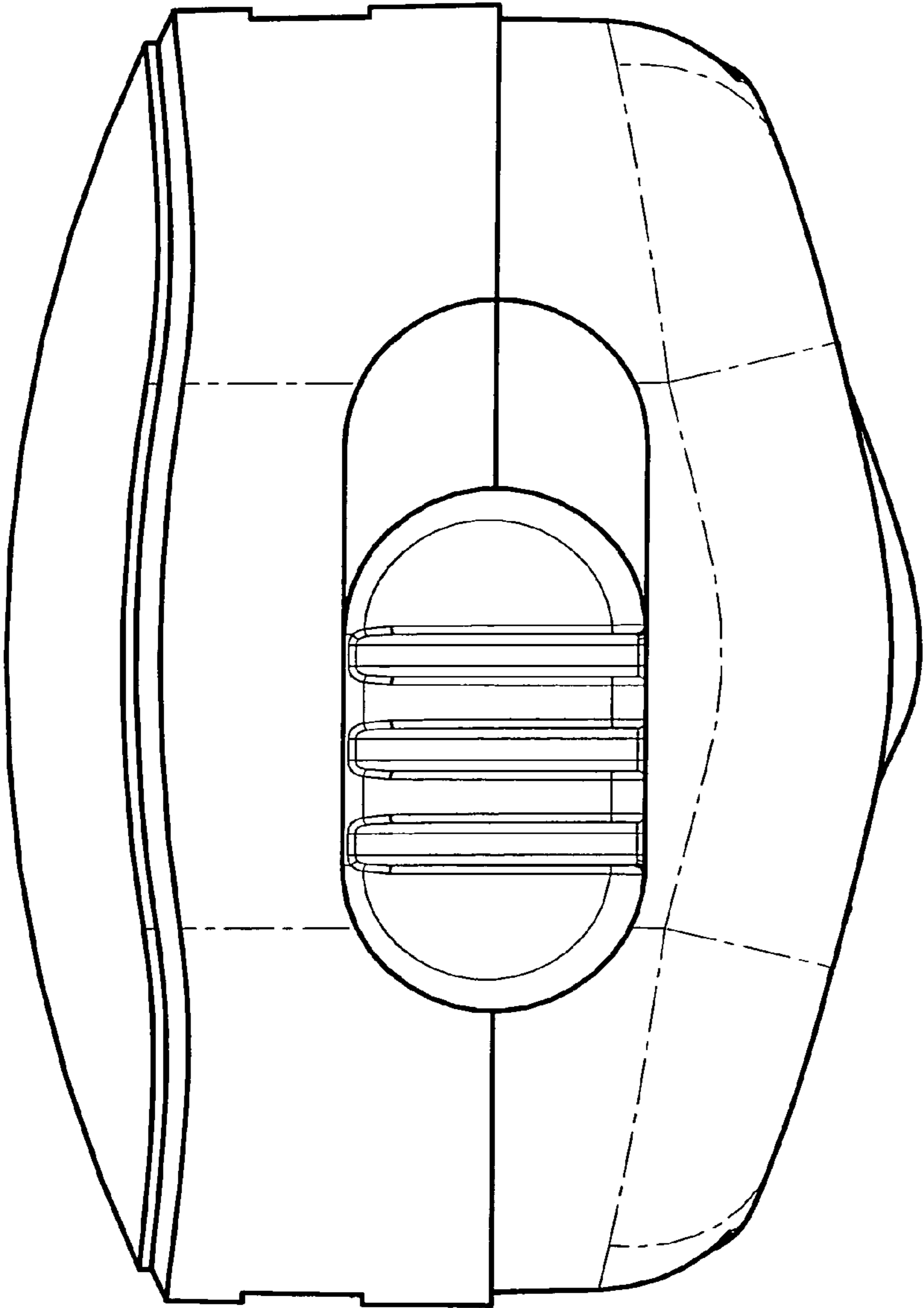


Fig. 3



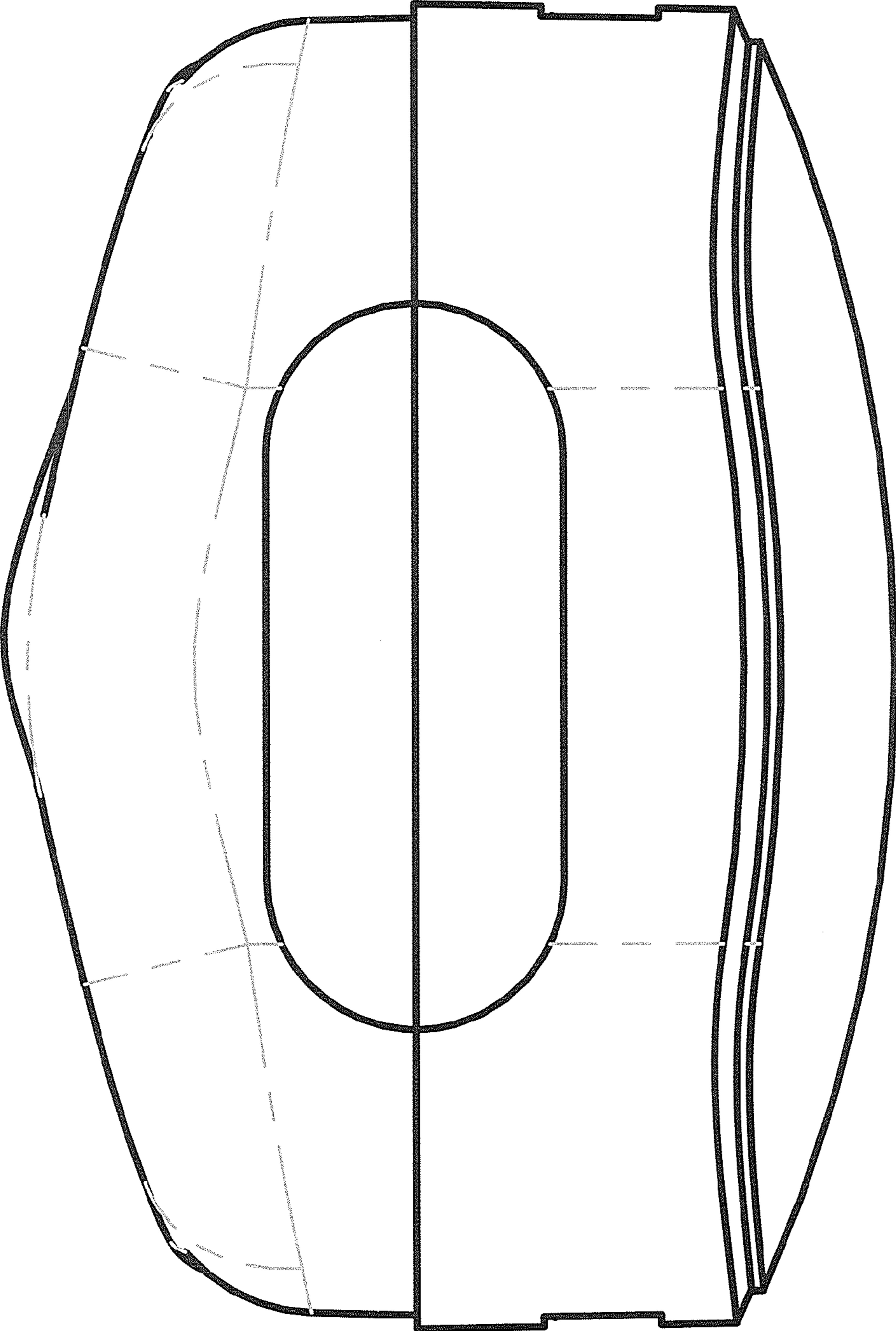


Fig. 4

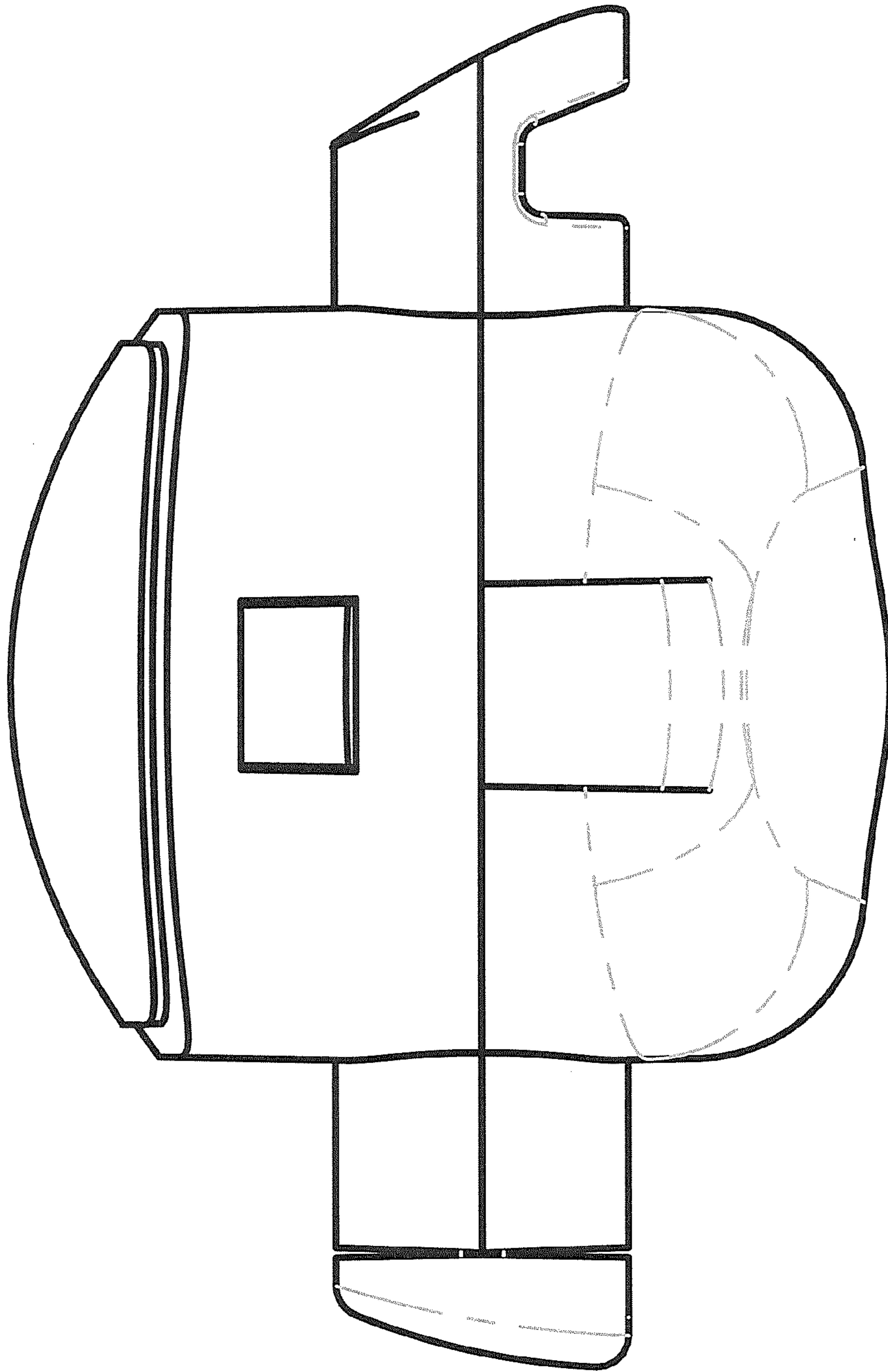


Fig. 5

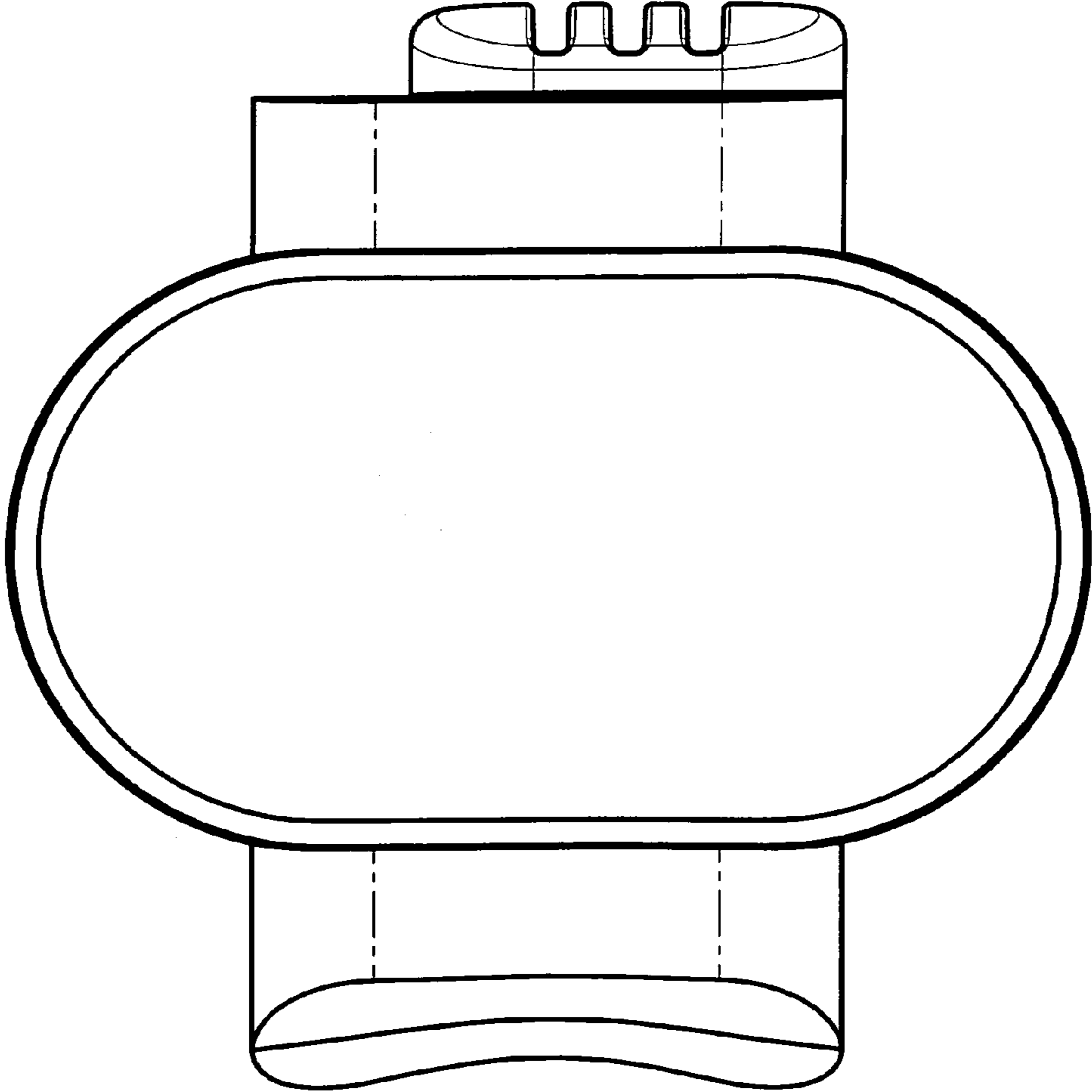


Fig. 6

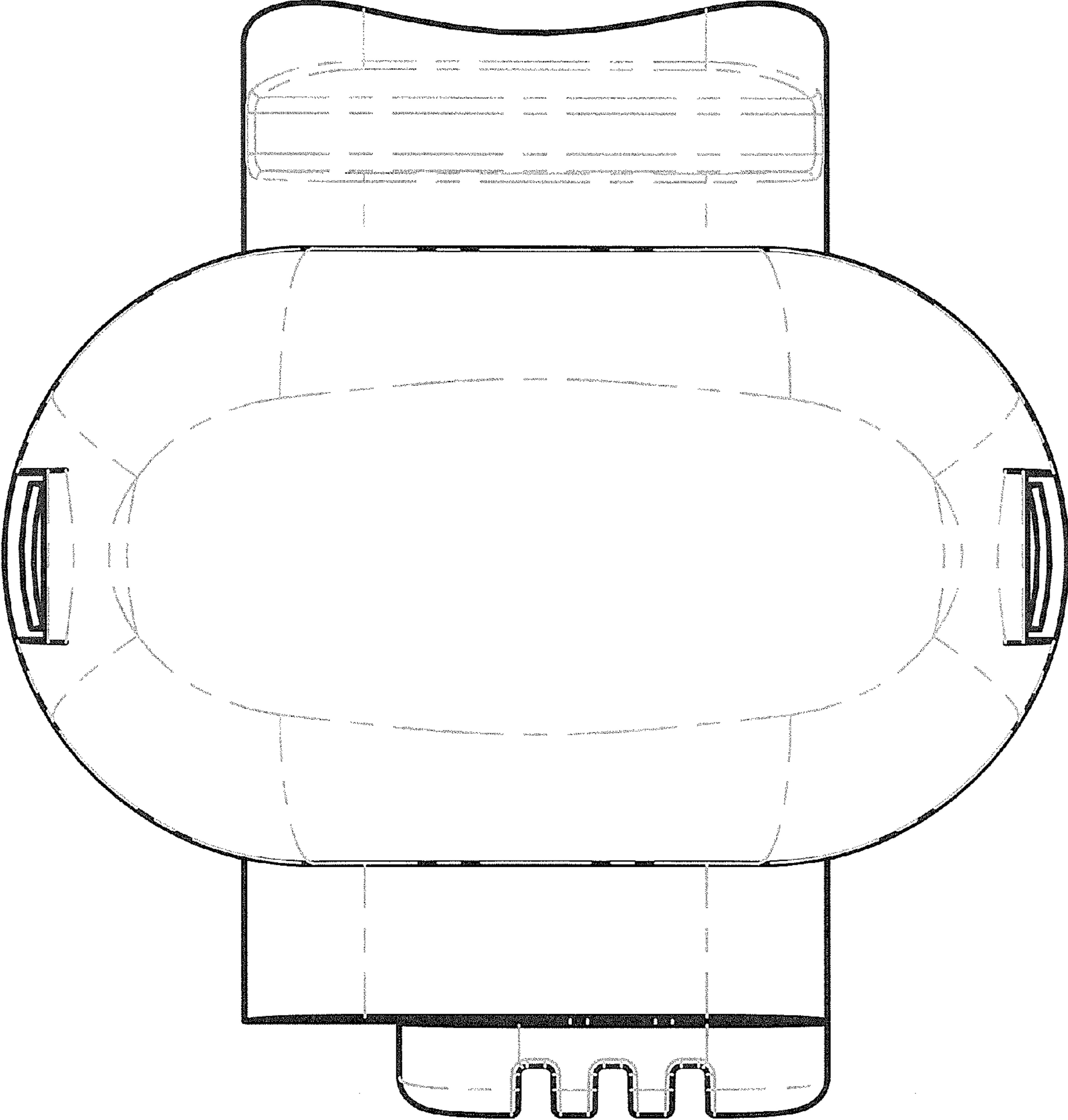


Fig. 7



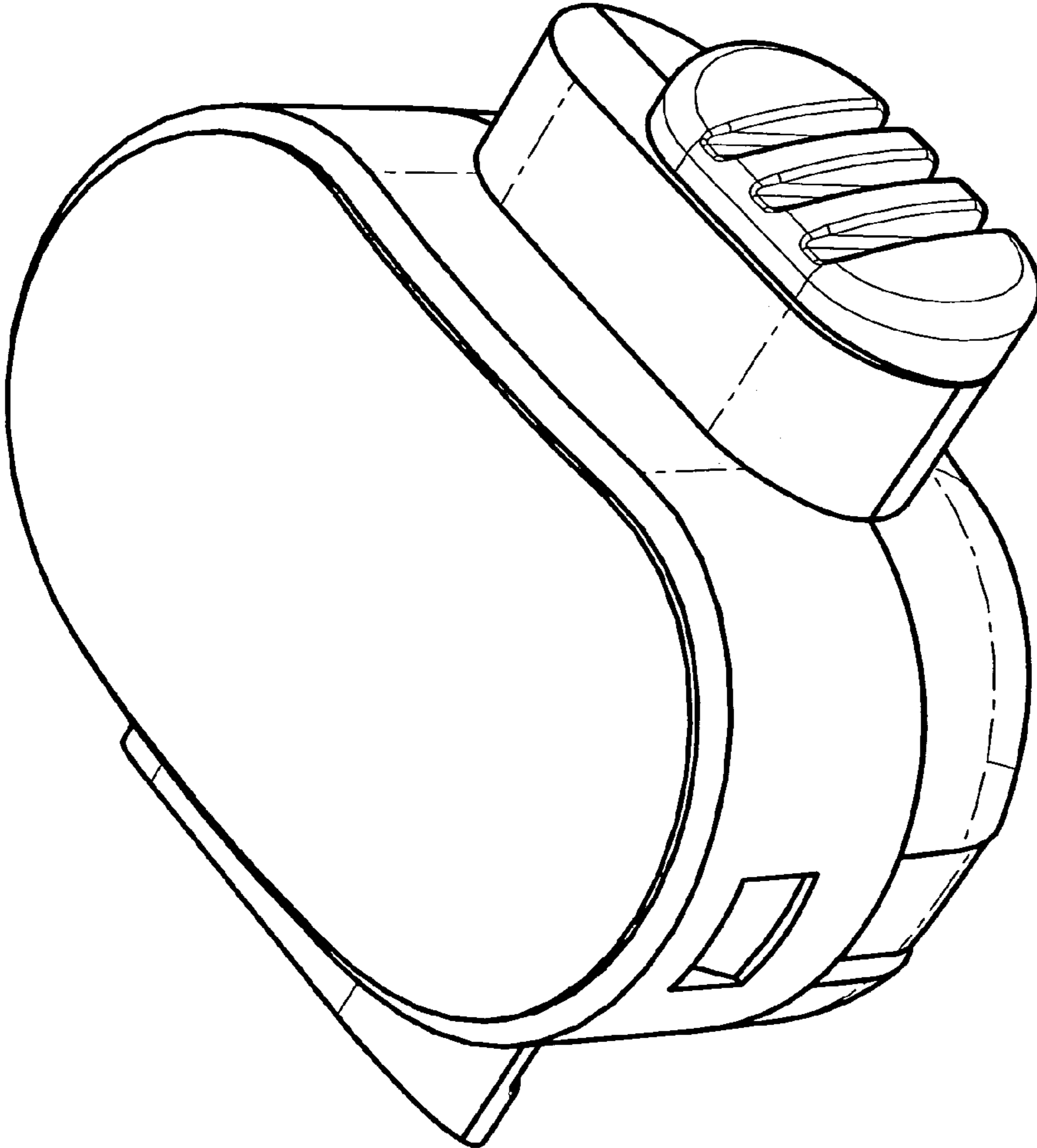


Fig. 8

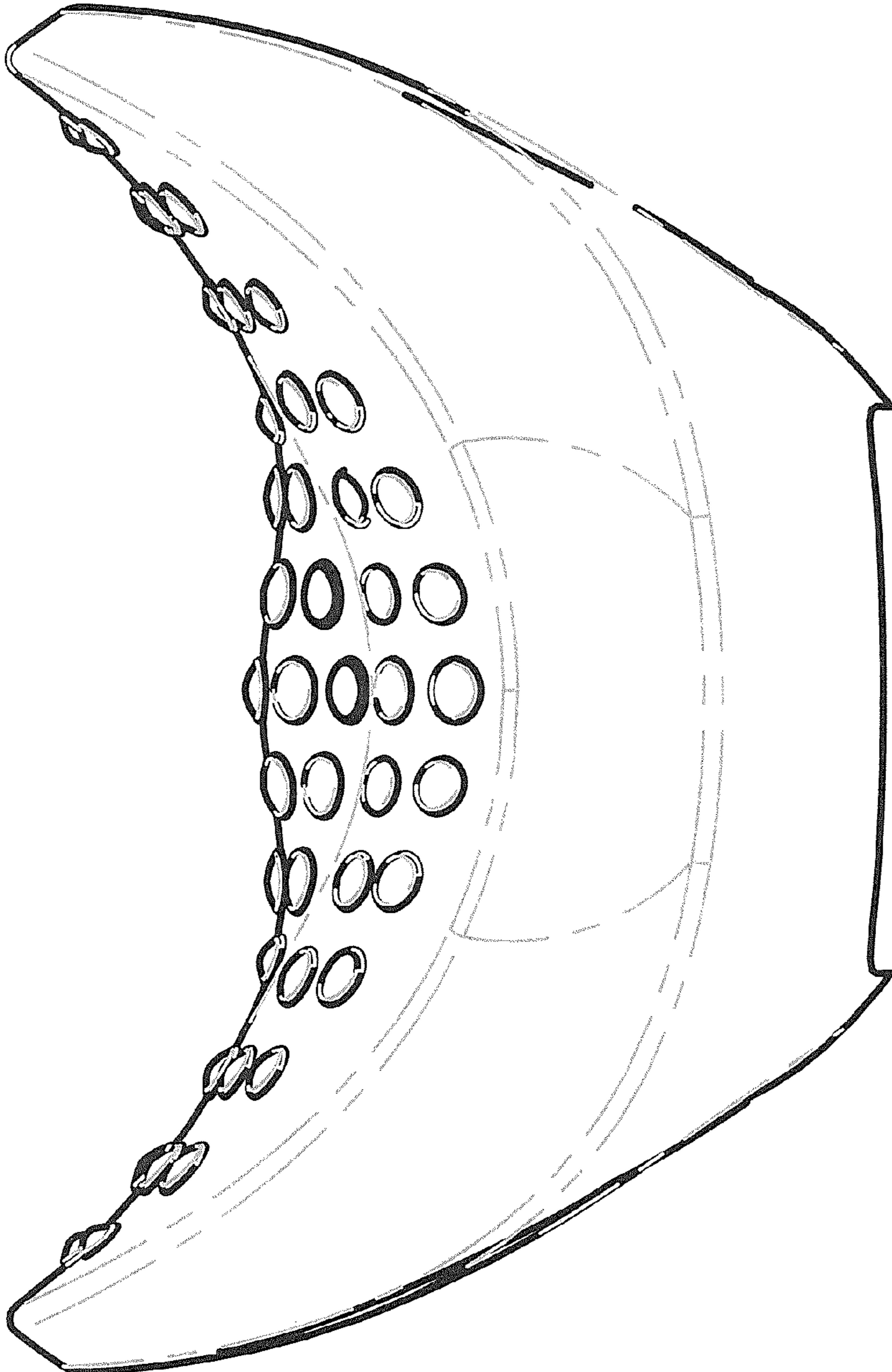


Fig. 9

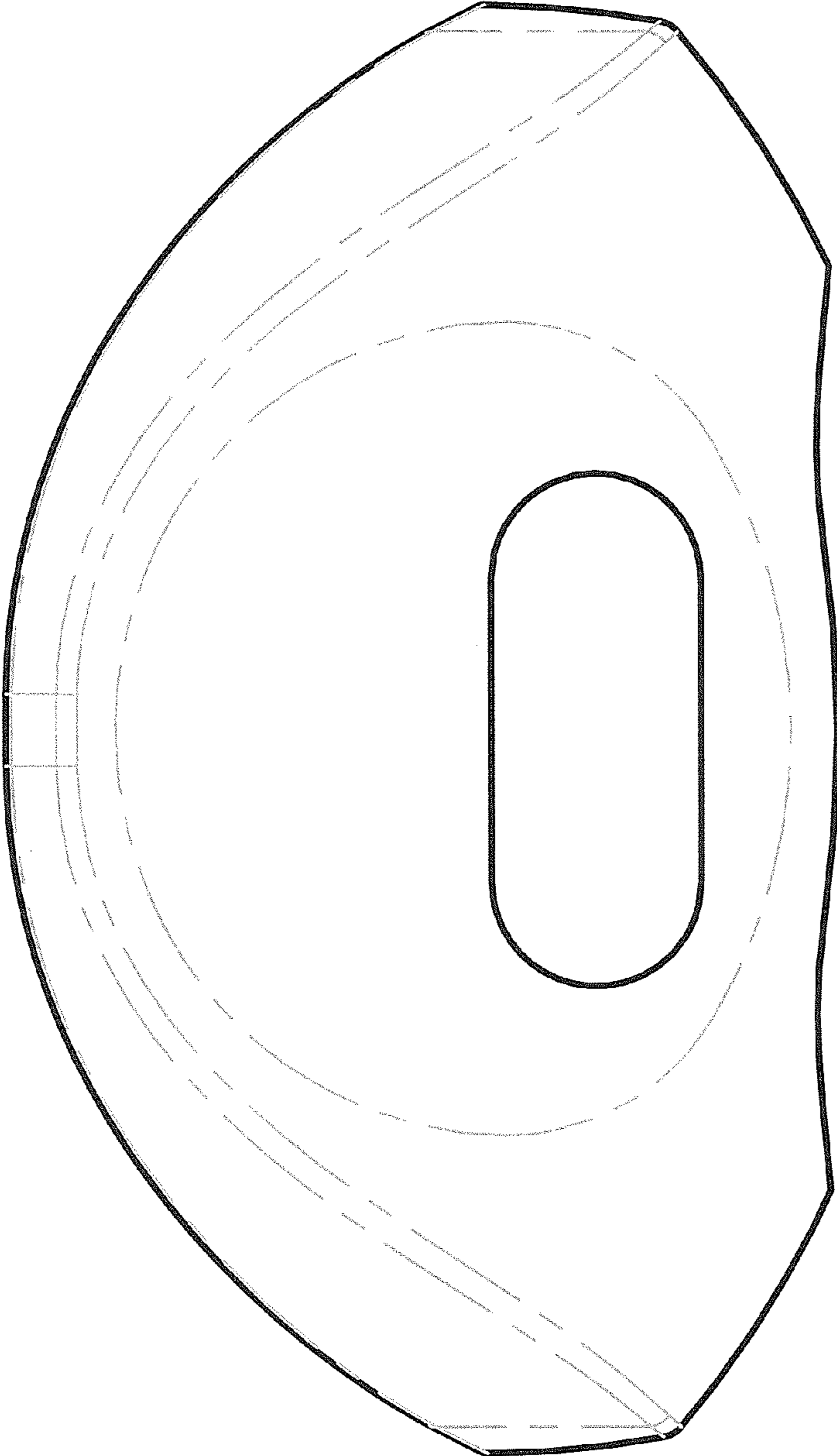


Fig. 10

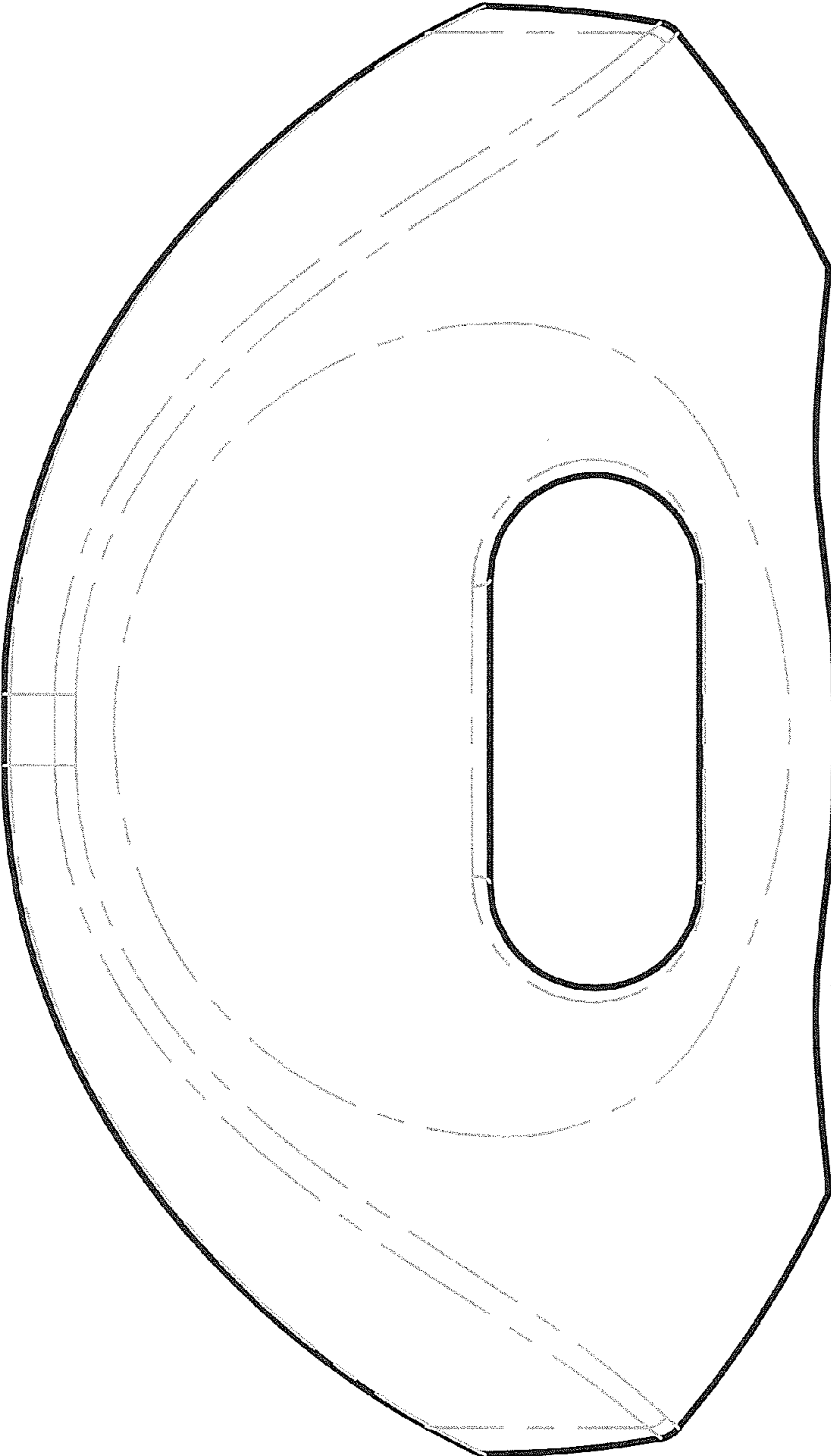


Fig. 11



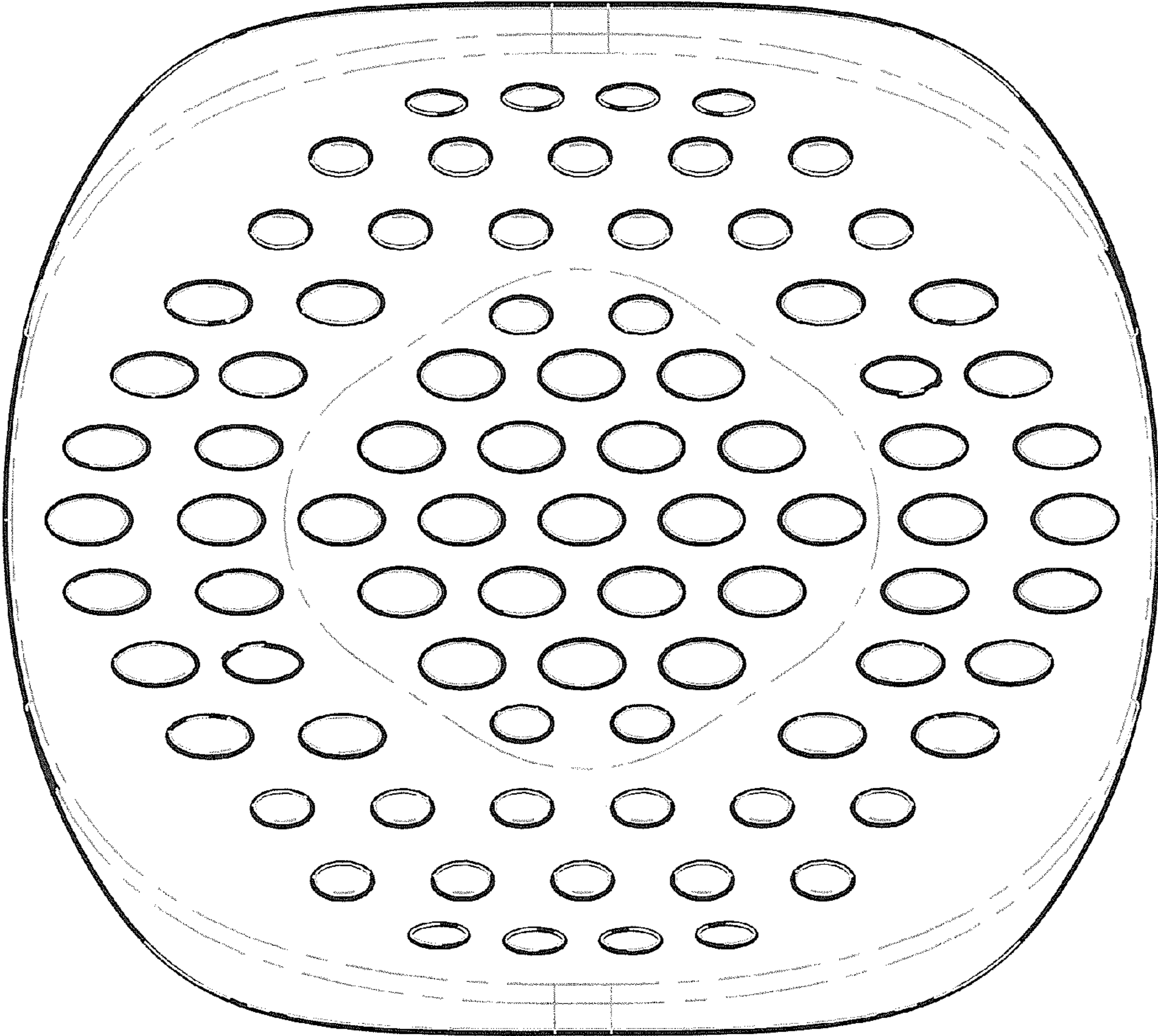


Fig. 12

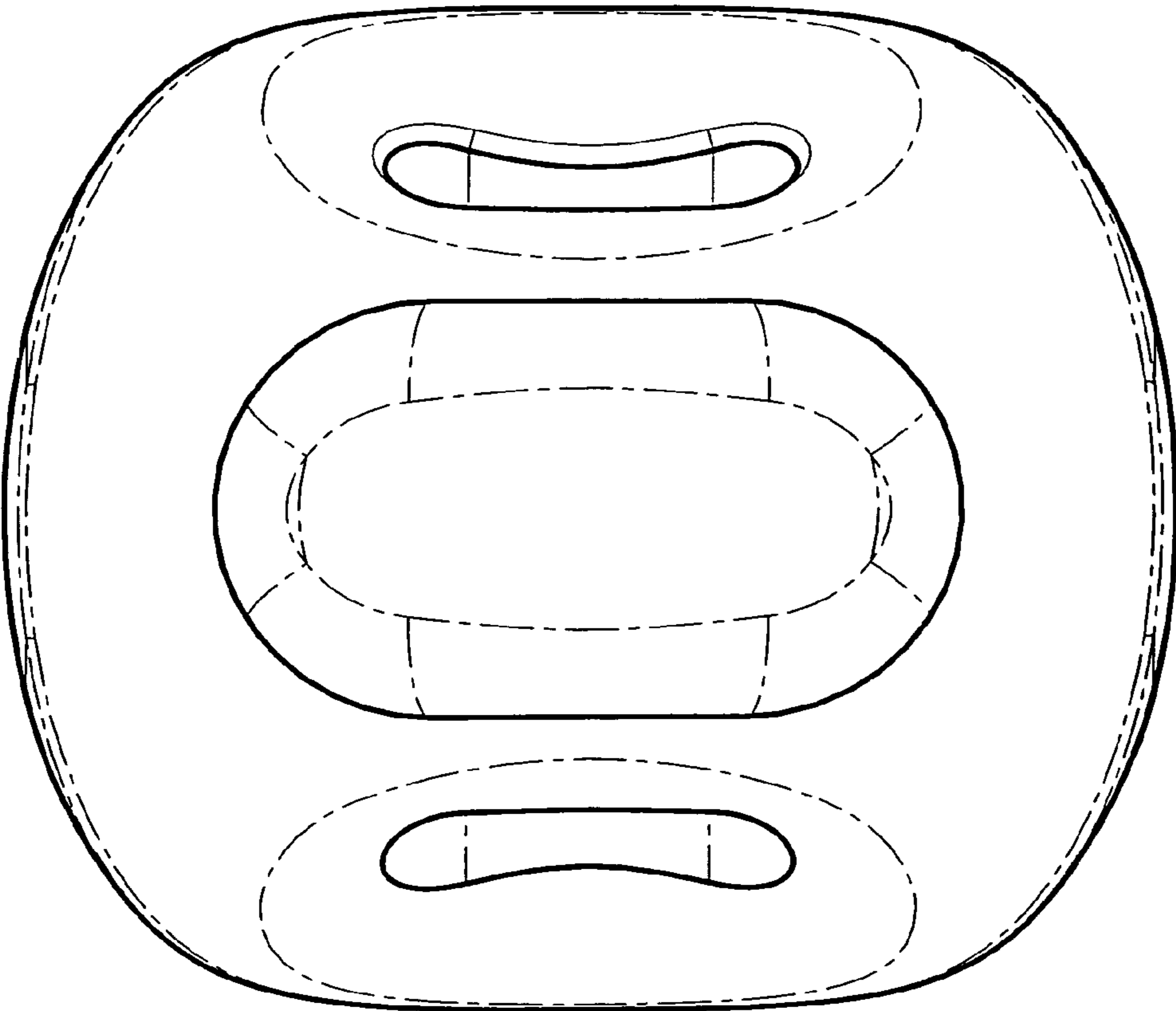


Fig. 13

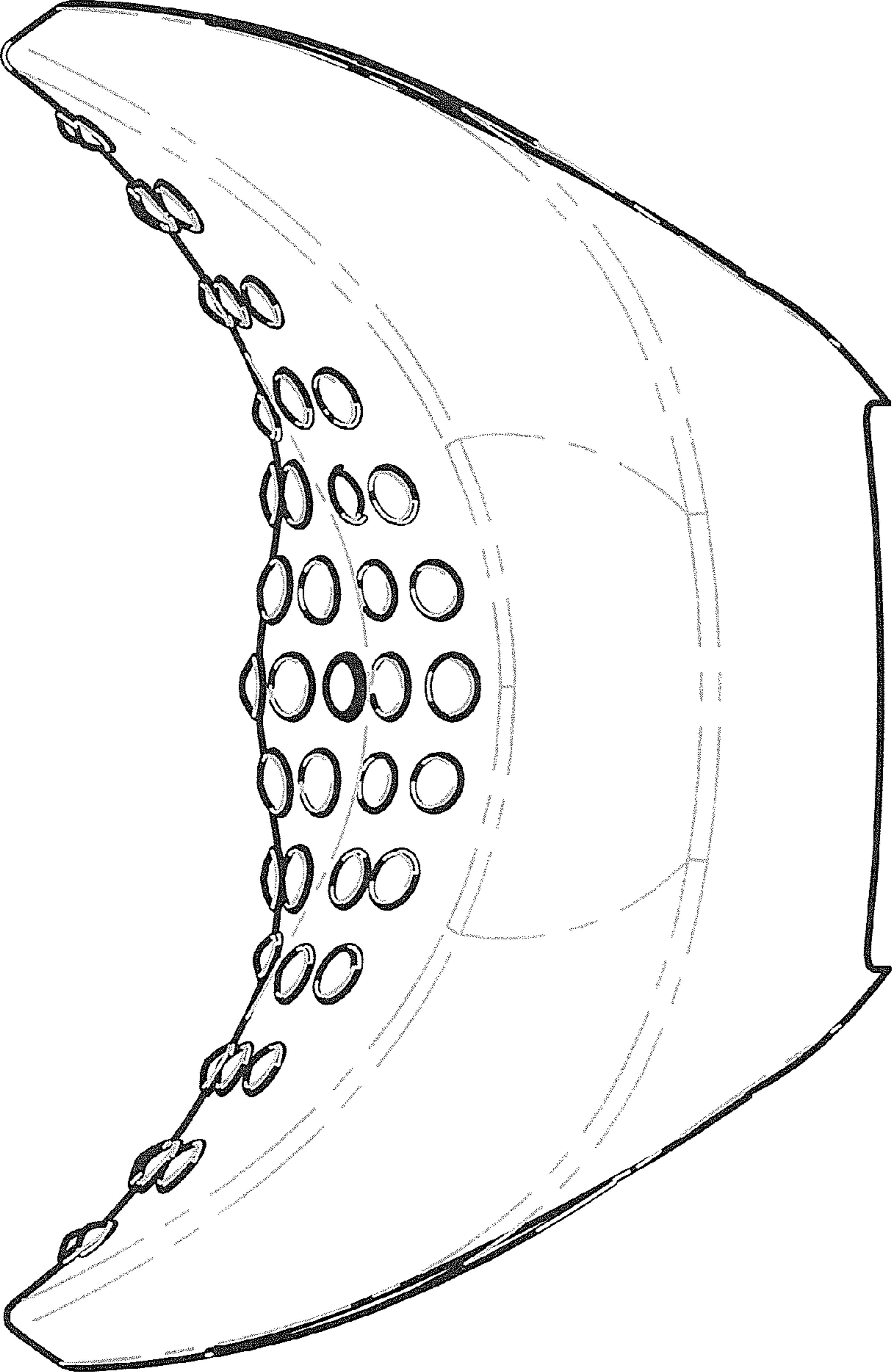


Fig. 14

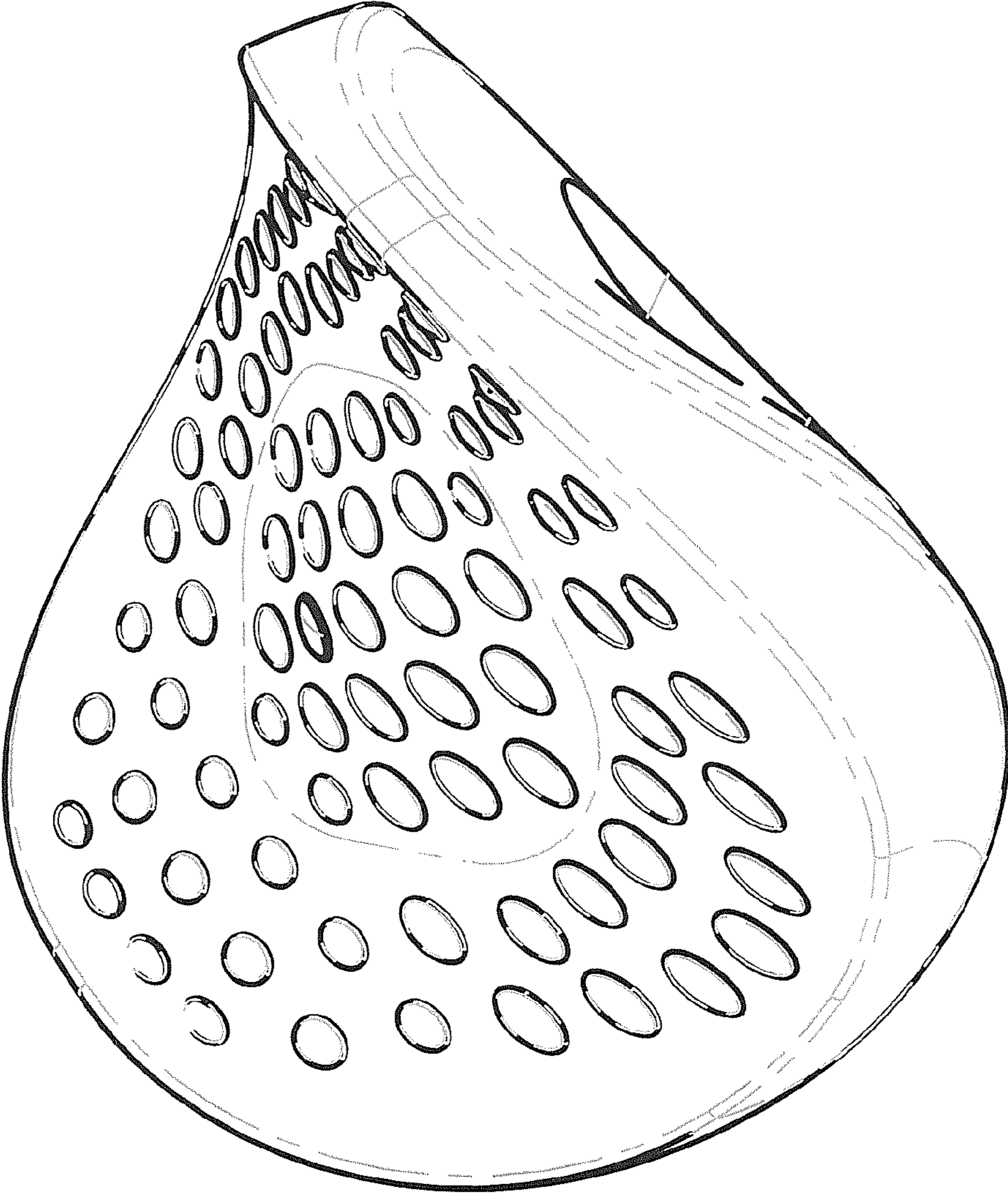


Fig. 15