



US00D652939S

(12) **United States Design Patent**  
**Palizza et al.**

(10) **Patent No.:** **US D652,939 S**  
(45) **Date of Patent:** **\*\* Jan. 24, 2012**

(54) **THERAPEUTIC SQUEEZE SWING**

(75) Inventors: **Lorraine Palizza**, Scarsdale, NY (US);  
**Jeremy Gardner**, Bronx, NY (US)

(73) Assignee: **Southpaw Enterprises, Inc.**, Dayton,  
OH (US)

(\*\*) Term: **14 Years**

(21) Appl. No.: **29/366,871**

(22) Filed: **Jul. 30, 2010**

(51) **LOC (9) Cl.** ..... **28-03**

(52) **U.S. Cl.** ..... **D24/200**

(58) **Field of Classification Search** ..... D24/201,  
D24/200, 204, 213; 601/6, 15, 64, 157-158,  
601/30-32; 4/622, 574.1; D21/823; D29/124;  
182/142; D30/124, 125, 128, 133, 121; D6/495;  
D23/209; 220/739; 606/204

See application file for complete search history.

(56) **References Cited**

**U.S. PATENT DOCUMENTS**

|               |         |              |       |         |
|---------------|---------|--------------|-------|---------|
| D264,614 S *  | 5/1982  | Johnson, Sr. | ..... | D23/209 |
| D278,549 S *  | 4/1985  | Kristich     | ..... | D21/823 |
| 4,583,617 A * | 4/1986  | Berger       | ..... | 182/142 |
| D307,064 S *  | 4/1990  | Roberts      | ..... | D29/124 |
| 4,919,228 A * | 4/1990  | Stefan       | ..... | 182/142 |
| 5,065,879 A * | 11/1991 | King         | ..... | 220/739 |
| 5,117,942 A * | 6/1992  | Tzavaras     | ..... | 182/142 |
| D347,917 S *  | 6/1994  | Bedsole      | ..... | D29/124 |
| 5,775,722 A * | 7/1998  | Moore et al. | ..... | D29/124 |

|                |         |                 |       |         |
|----------------|---------|-----------------|-------|---------|
| 5,893,871 A *  | 4/1999  | Tanaka          | ..... | 606/204 |
| 7,121,600 B2 * | 10/2006 | Liberato et al. | ..... | 182/142 |
| D571,889 S *   | 6/2008  | Goransson       | ..... | D21/823 |
| 7,972,063 B1 * | 7/2011  | Barsalou        | ..... | 220/739 |

**OTHER PUBLICATIONS**

Southpaw Enterprises, Inc., "Vertical Squeeze Swing", Sensory Integration and Developmental Products for Class, Clinic and Home, Spring/Summer 2010 Catalog, p. 37, Jan. 18, 2010.

Southpaw Enterprises, Inc., "Flexion Disc Swing", Sensory Integration and Developmental Products for Class, Clinic and Home, Spring/Summer 2010 Catalog, p. 29., Jan. 18, 2010, (first Flexion disc swing sold in Nov. 2000.

\* cited by examiner

*Primary Examiner* — David Muller

(74) *Attorney, Agent, or Firm* — Dinsmore & Shohl LLP

(57) **CLAIM**

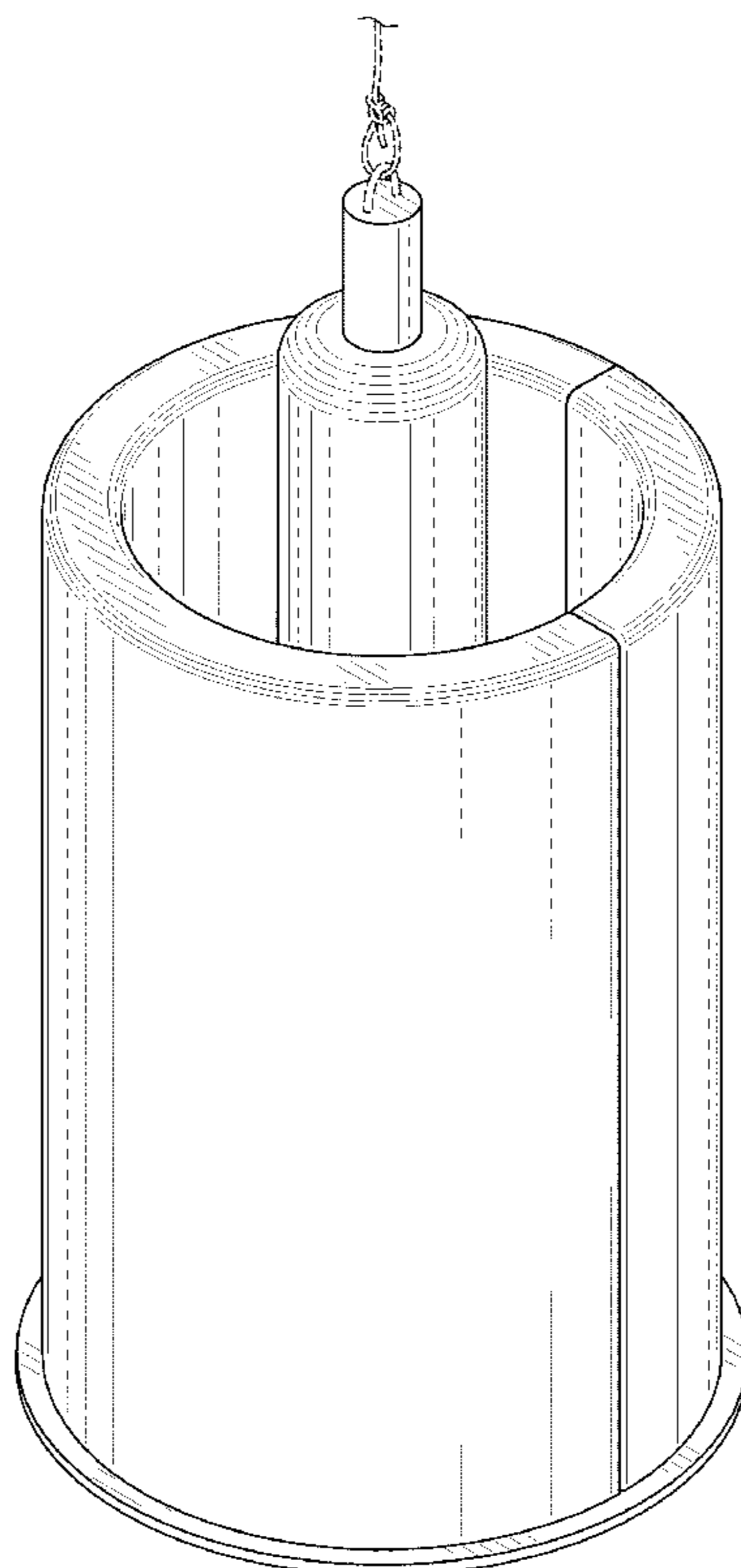
The ornamental design of a therapeutic squeeze swing, as shown and described.

**DESCRIPTION**

FIG. 1 is a perspective view of an embodiment of a therapeutic squeeze swing illustrating our new design; FIG. 2 is a front side elevational view thereof; FIG. 3 is a back side elevational view thereof; FIG. 4 is a left side elevational view thereof; FIG. 5 is a right side elevational view thereof; FIG. 6 is a top plan view thereof; and, FIG. 7 is a bottom plan view thereof.

The broken lines in the drawings represent portions of the swinging cord that form no part of the claimed design.

**1 Claim, 6 Drawing Sheets**



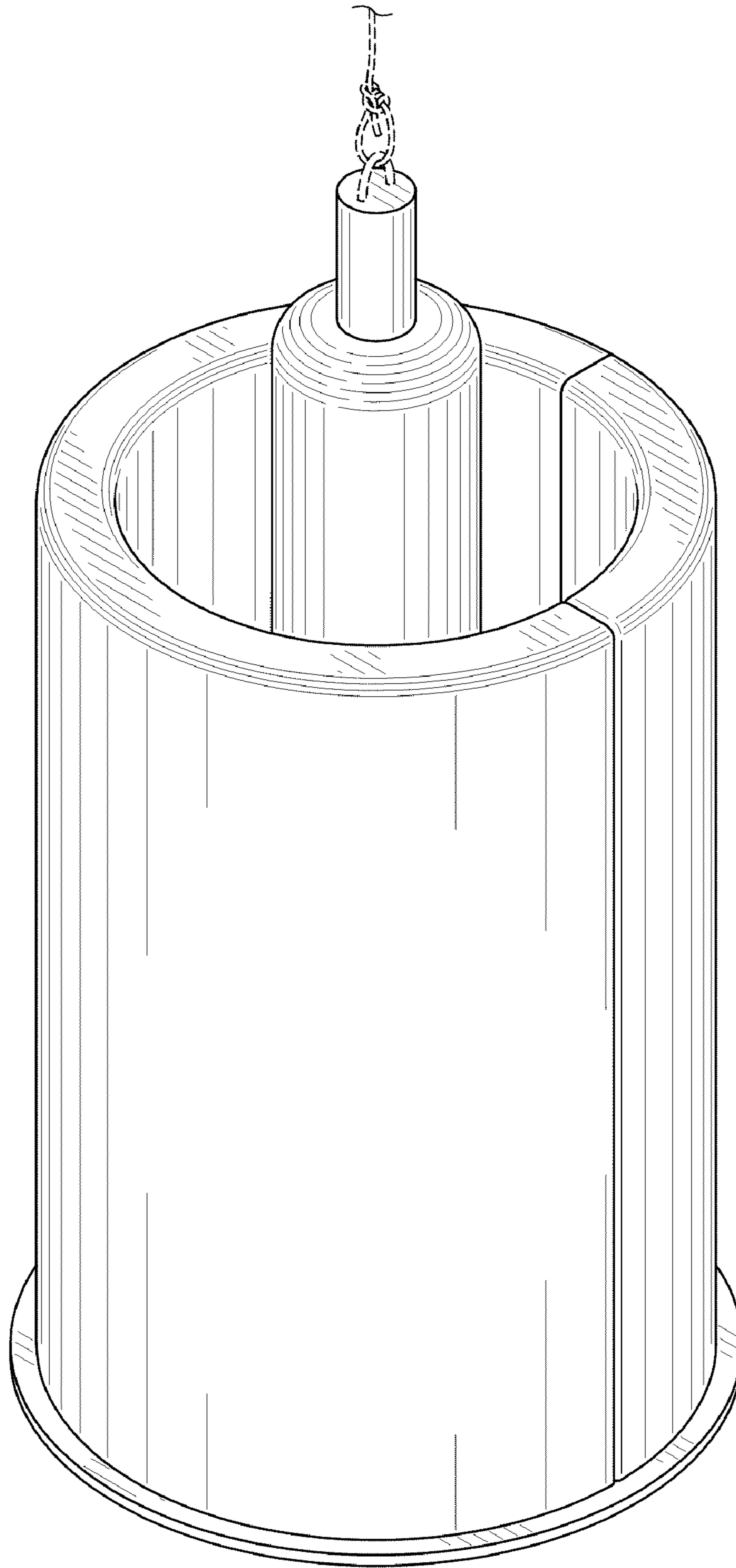


FIG. 1

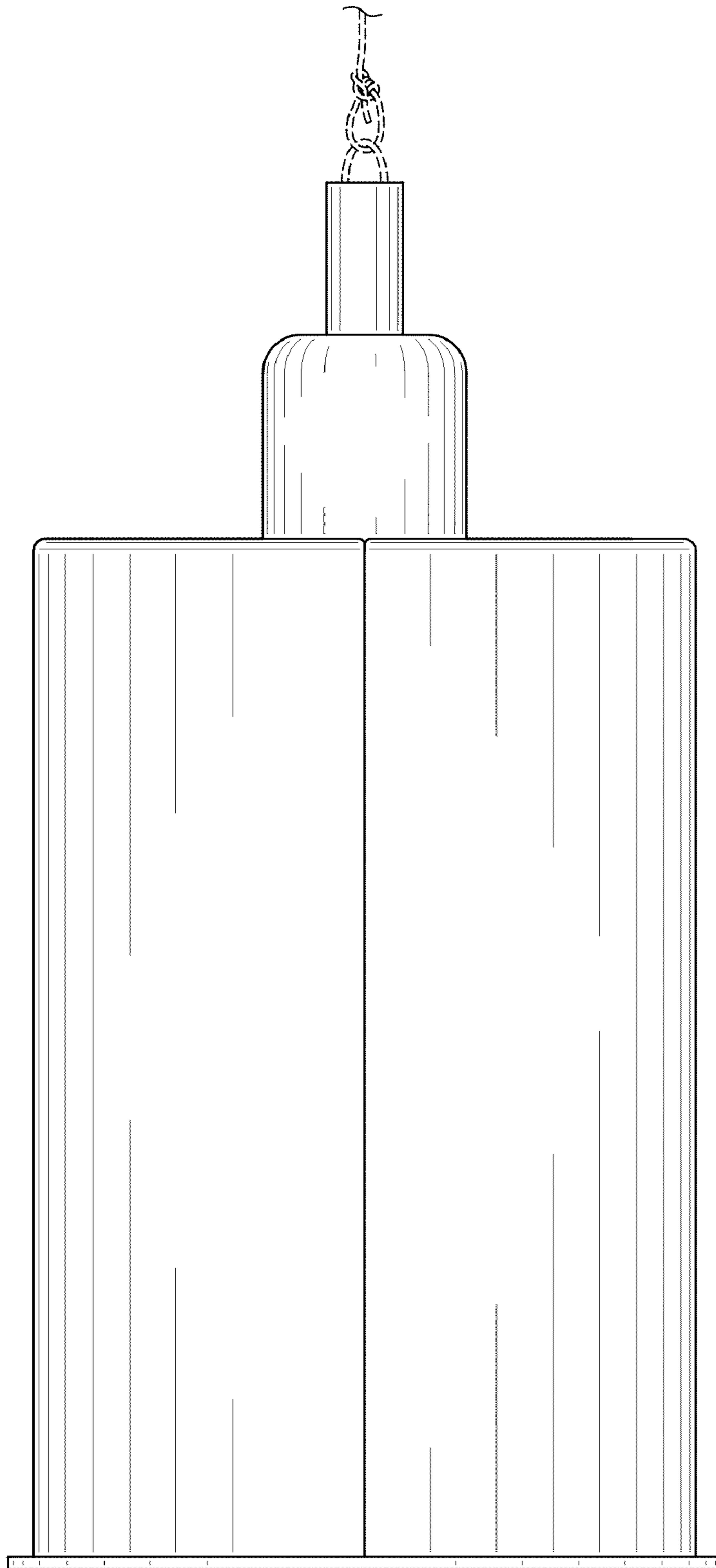


FIG. 2

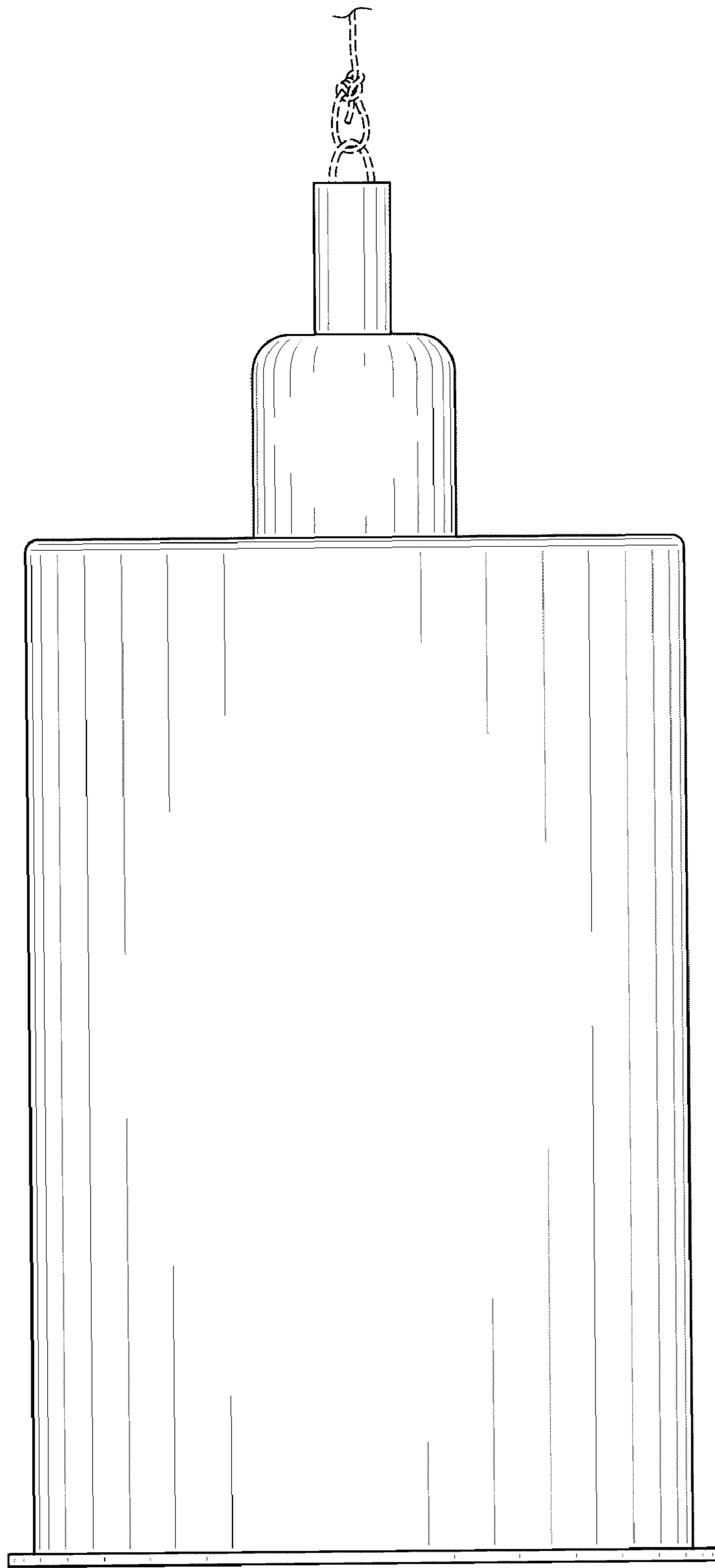


FIG. 3

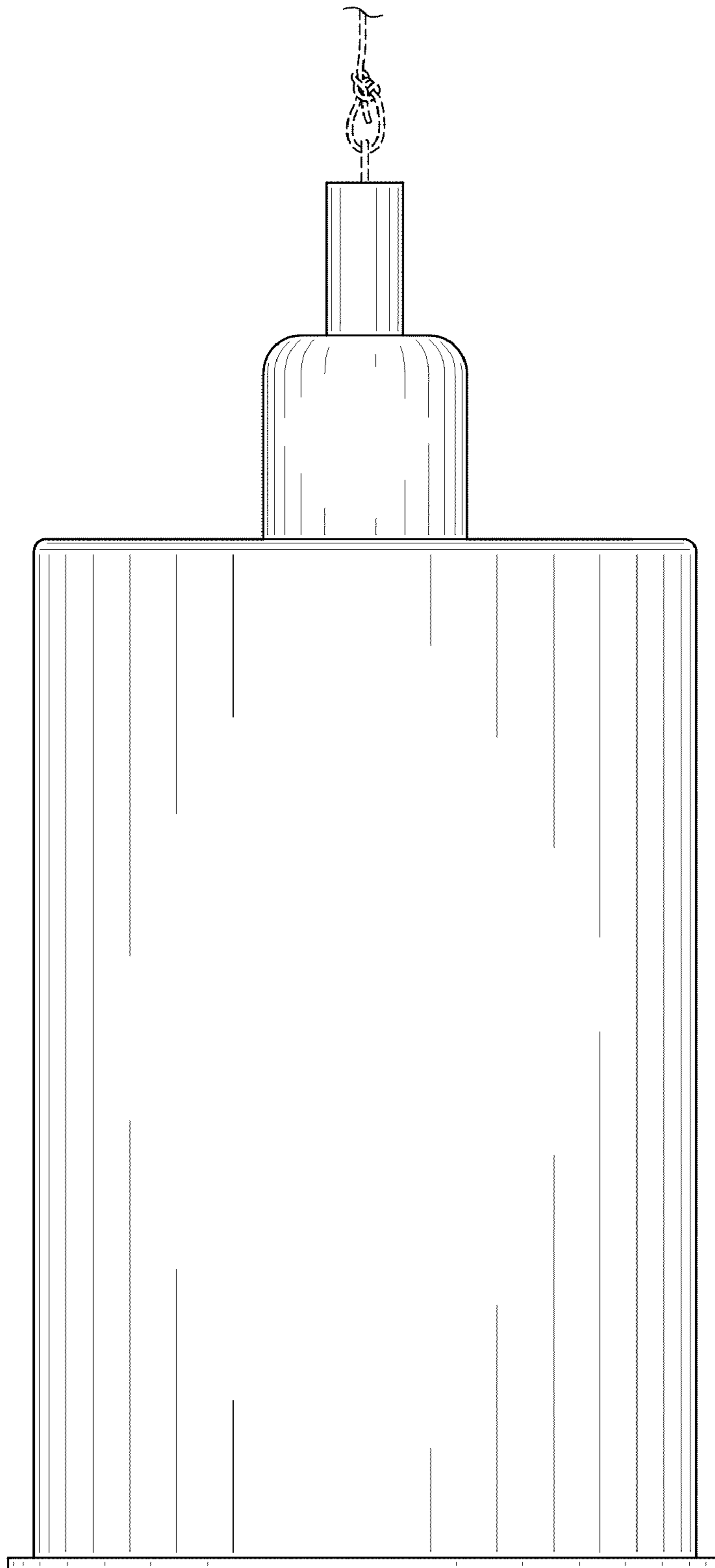


FIG. 4

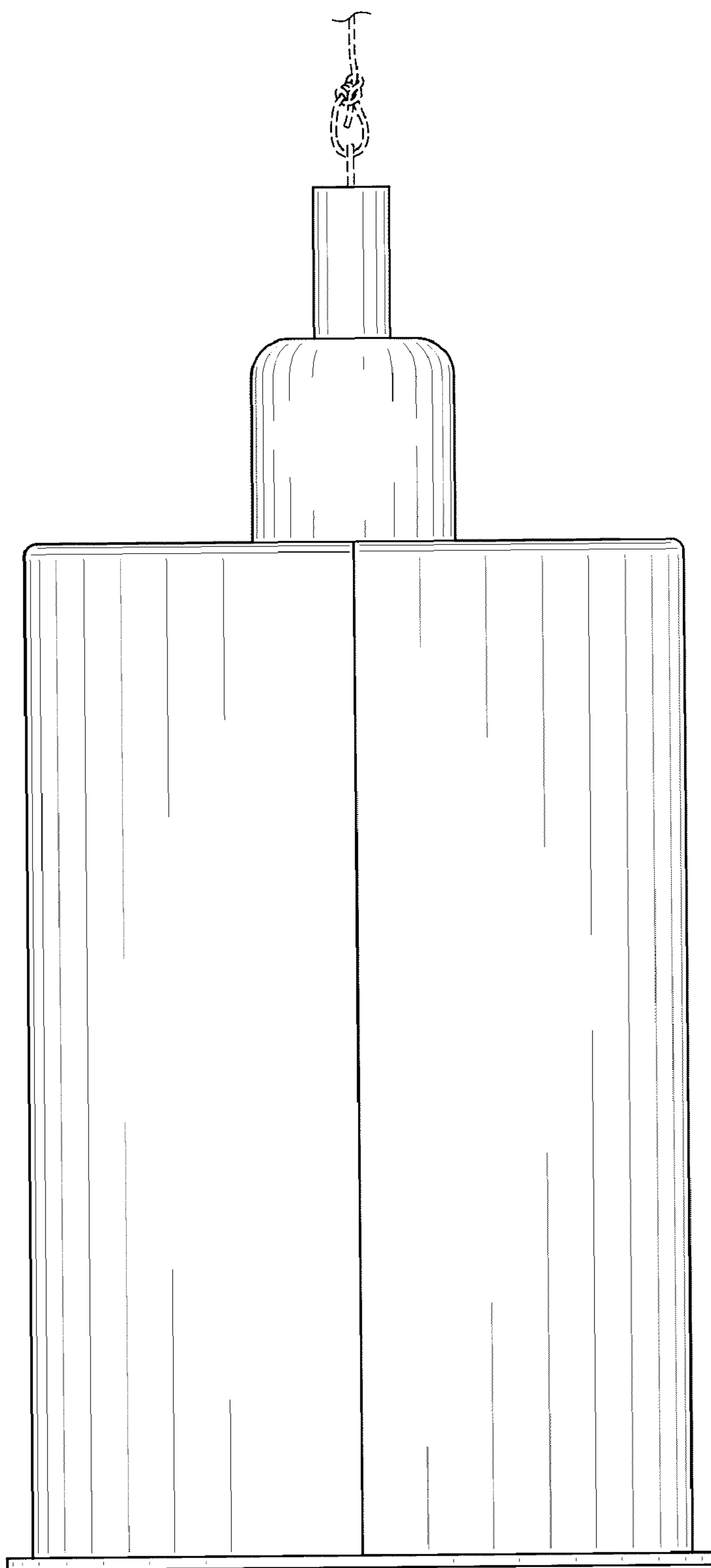


FIG. 5

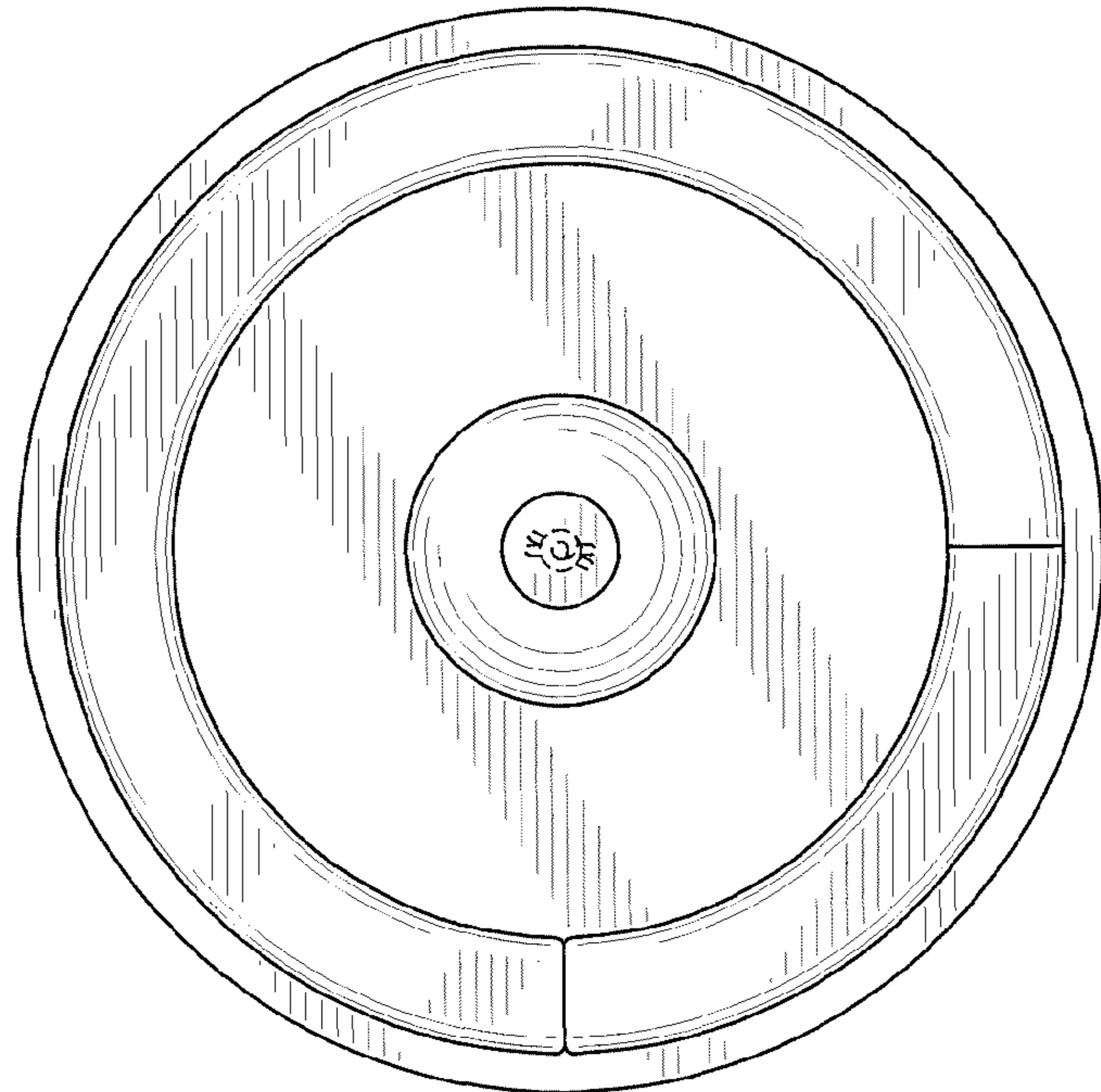


FIG. 6

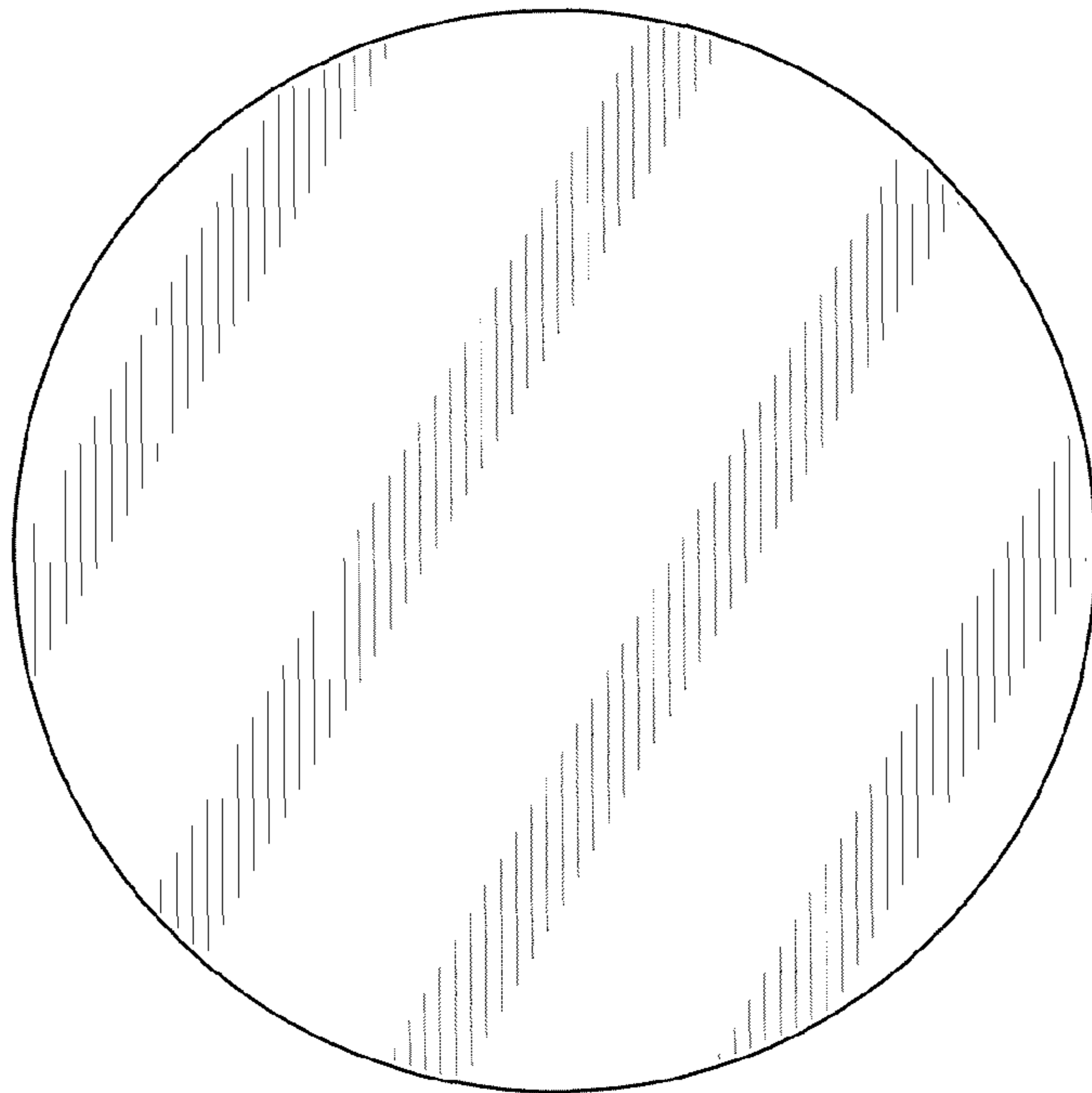


FIG. 7