



US00D652938S

(12) **United States Design Patent**
Py et al.

(10) **Patent No.:** **US D652,938 S**
(45) **Date of Patent:** **** Jan. 24, 2012**

(54) **BOTTLE WITH NIPPLE**

(75) Inventors: **Daniel Py**, Larchmont, NY (US); **Julian Chan**, New Milford, CT (US); **Jeffrey Willey**, Brookfield, CT (US)

(73) Assignee: **Medical Instill Technologies, Inc.**, New Milford, CT (US)

(**) Term: **14 Years**

(21) Appl. No.: **29/373,688**

(22) Filed: **Mar. 17, 2011**

Related U.S. Application Data

(60) Division of application No. 29/375,051, filed on Sep. 16, 2010, now Pat. No. Des. 636,885, which is a division of application No. 29/357,366, filed on Mar. 11, 2010, now Pat. No. Des. 625,830, which is a continuation of application No. 12/259,279, filed on Oct. 27, 2008, and a continuation of application No. 12/259,284, filed on Oct. 27, 2008, and a continuation of application No. 12/259,290, filed on Oct. 27, 2008.

(51) **LOC (9) Cl.** **07-01**

(52) **U.S. Cl.** **D24/197**

(58) **Field of Classification Search** D24/193-198; D9/500, 503-504, 547, 444-445, 454; D7/510-511, D7/533-534; 215/6, 10, 11.1-11.6, 12.1, 215/13.1, 255-256, 378; 220/703, 720
See application file for complete search history.

(56) **References Cited**

U.S. PATENT DOCUMENTS

D60,567	S	*	3/1922	Palmer	D24/197
1,440,235	A	*	12/1922	Orson	215/11.1
1,620,329	A	*	3/1927	Donaldson	215/11.5
2,105,170	A	*	1/1938	Tarrant	215/11.1
2,150,835	A	*	3/1939	Kazimirow	215/11.6
2,822,102	A	*	2/1958	Holland	215/11.1
D371,847	S	*	7/1996	Francisco	D24/197
D406,648	S	*	3/1999	Frazier	D24/197

D464,434	S	*	10/2002	Morano	D24/197
D479,333	S	*	9/2003	Turnbough	D24/197
D564,665	S	*	3/2008	Kim	D24/197
D599,481	S	*	9/2009	Drummond	D24/197
D599,482	S	*	9/2009	Drummond	D24/197
D609,355	S	*	2/2010	Strickler et al.	D24/197
D625,830	S	*	10/2010	Py et al.	D24/197
D635,683	S	*	4/2011	Shaikh et al.	D24/196
D636,885	S	*	4/2011	Py et al.	D24/197
D639,969	S	*	6/2011	Pukall et al.	D24/196
D642,436	S	*	8/2011	Schofield et al.	D7/510
D642,437	S	*	8/2011	Schofield et al.	D7/510
D642,865	S	*	8/2011	Schofield et al.	D7/510

* cited by examiner

(Continued)

Primary Examiner — Susan E Krakower

(74) *Attorney, Agent, or Firm* — McCarter & English, LLP

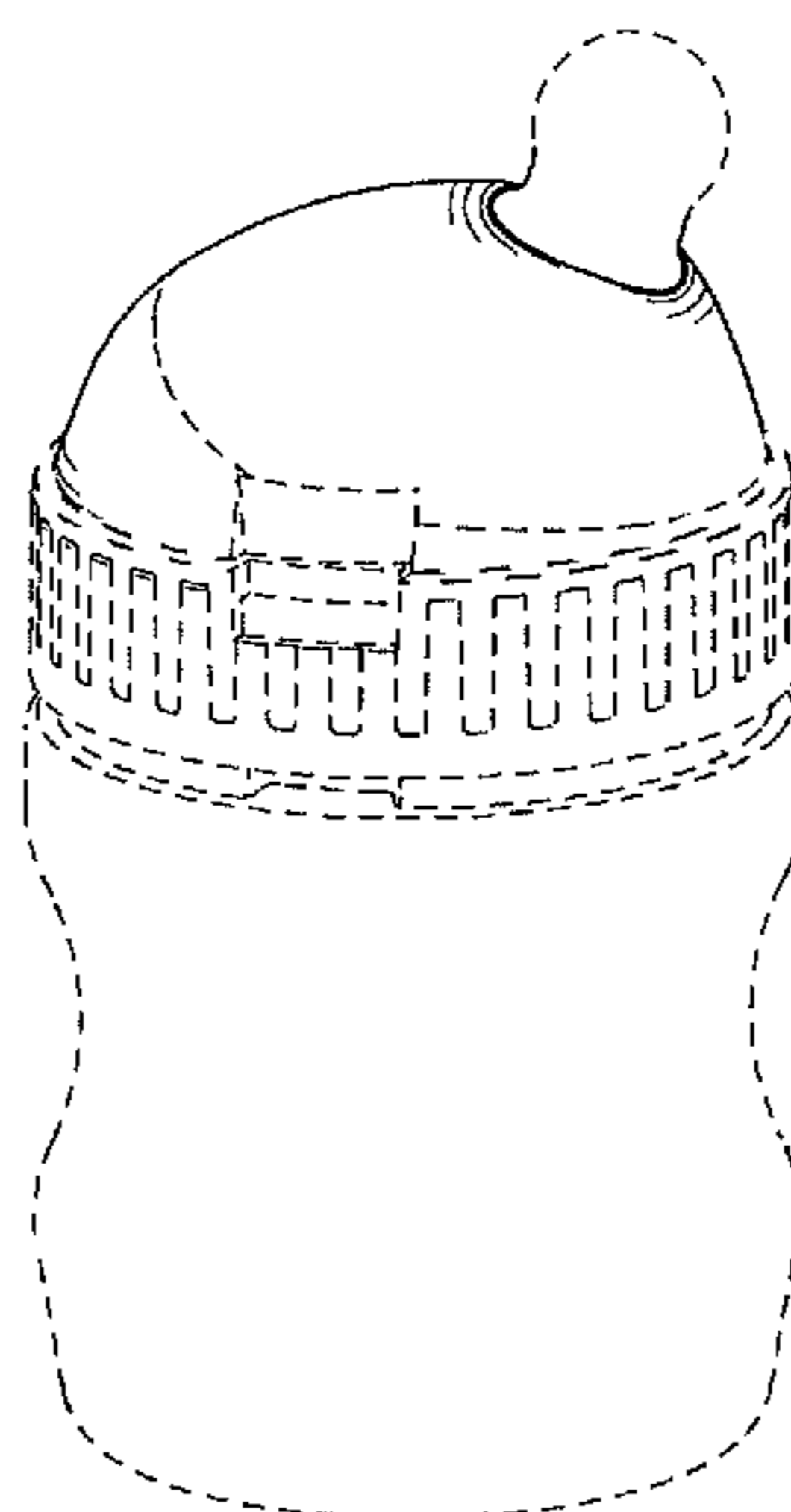
(57) **CLAIM**

The ornamental design for a bottle with nipple, as shown and described.

DESCRIPTION

FIG. 1 is a side perspective view of a bottle with nipple; FIG. 2 is a left side elevational view of the bottle with nipple of FIG. 1; FIG. 3 is a right side elevational view of the bottle with nipple of FIG. 1; FIG. 4 is a rear side elevational view of the bottle with nipple of FIG. 1; FIG. 5 is a front side elevational view of the bottle with nipple of FIG. 1; FIG. 6 is a bottom plan view of the bottle with nipple of FIG. 1; and, FIG. 7 is a top plan view of the bottle with nipple of FIG. 1. The broken lines appearing in the drawings are for the purpose of illustrating portions of the article in which the design is embodied. Portions of the article appearing in broken lines form no part of the claimed design.

1 Claim, 4 Drawing Sheets



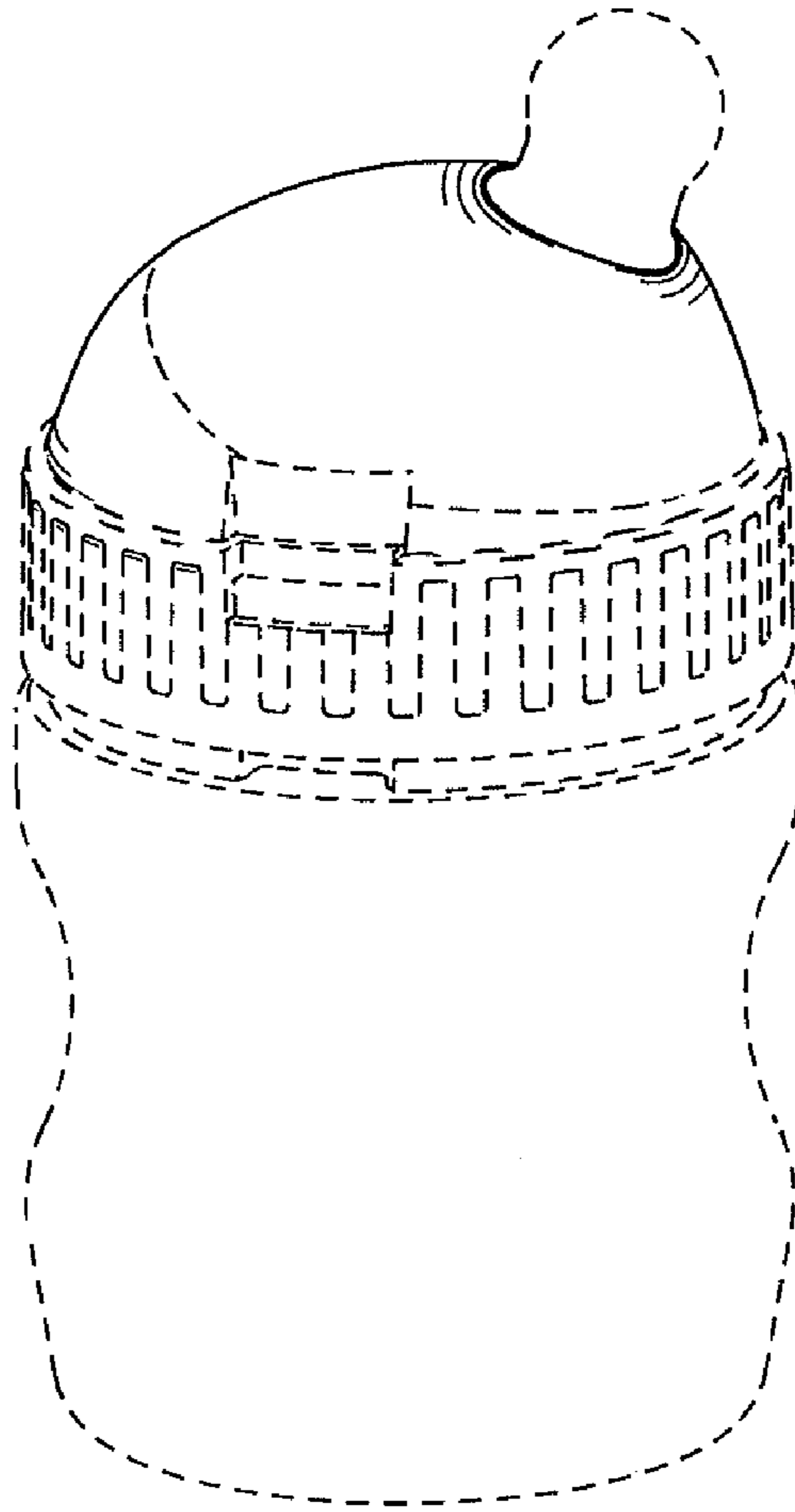


FIG. 1

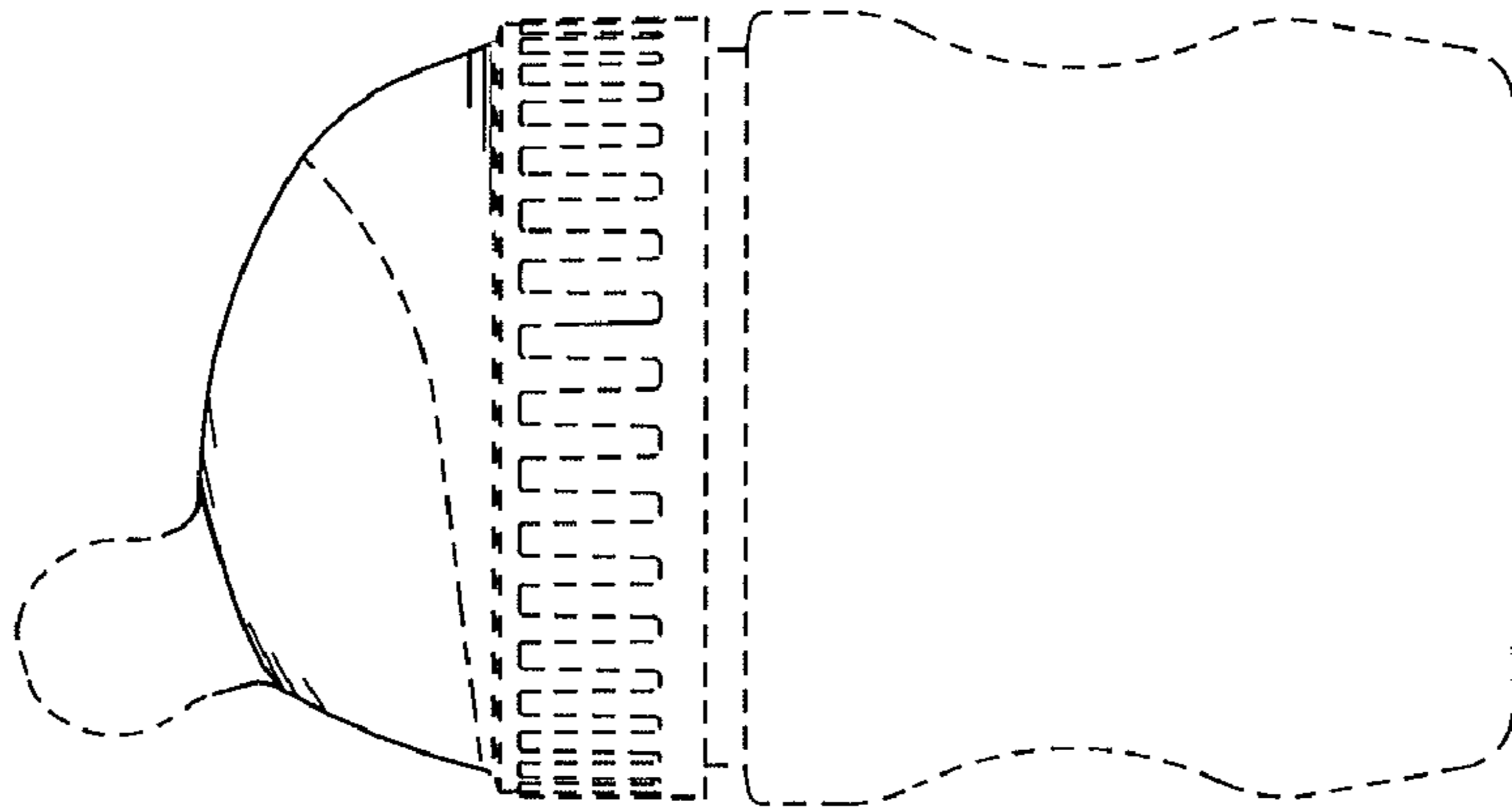


FIG. 2

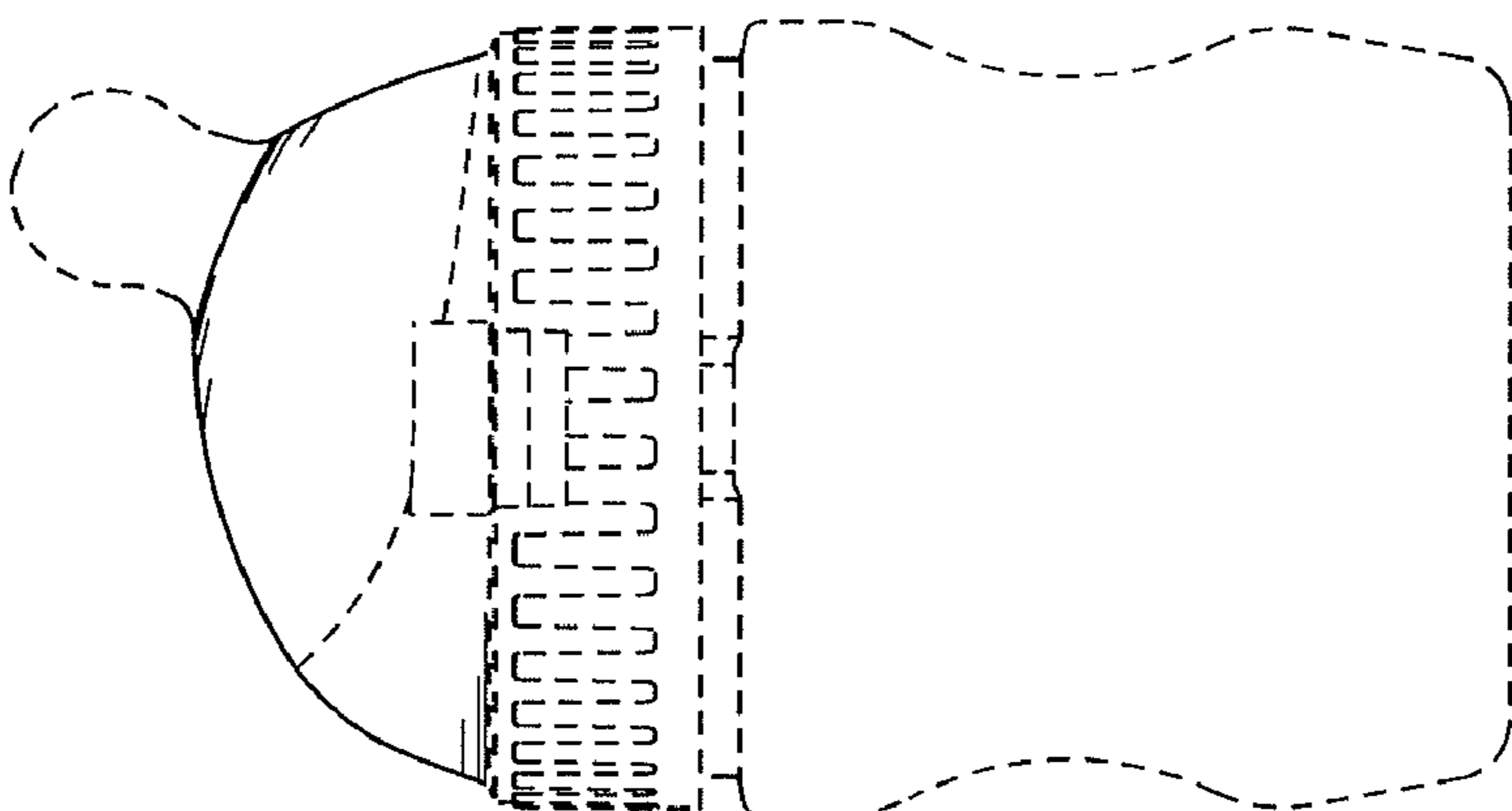


FIG. 3

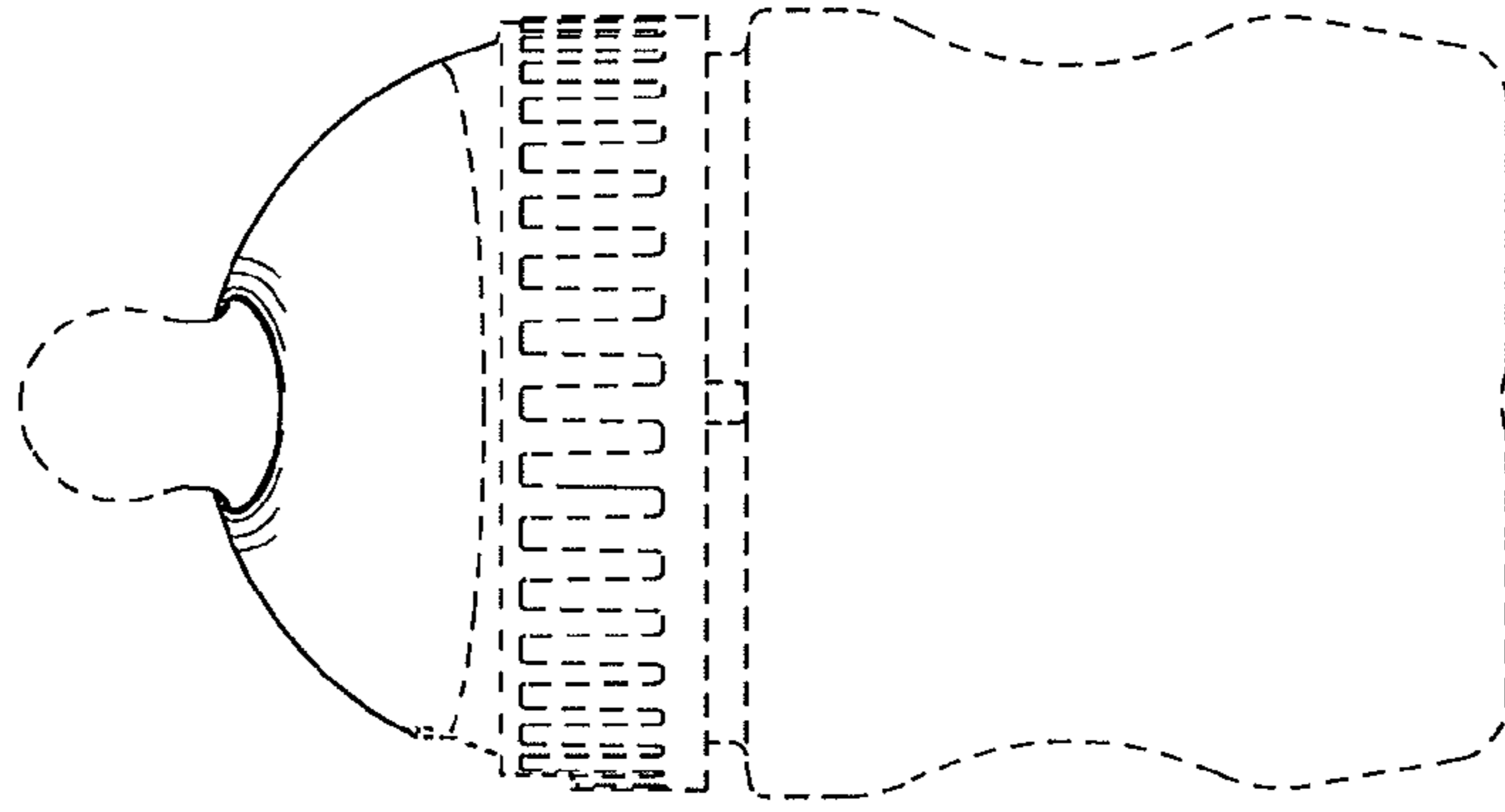


FIG. 5

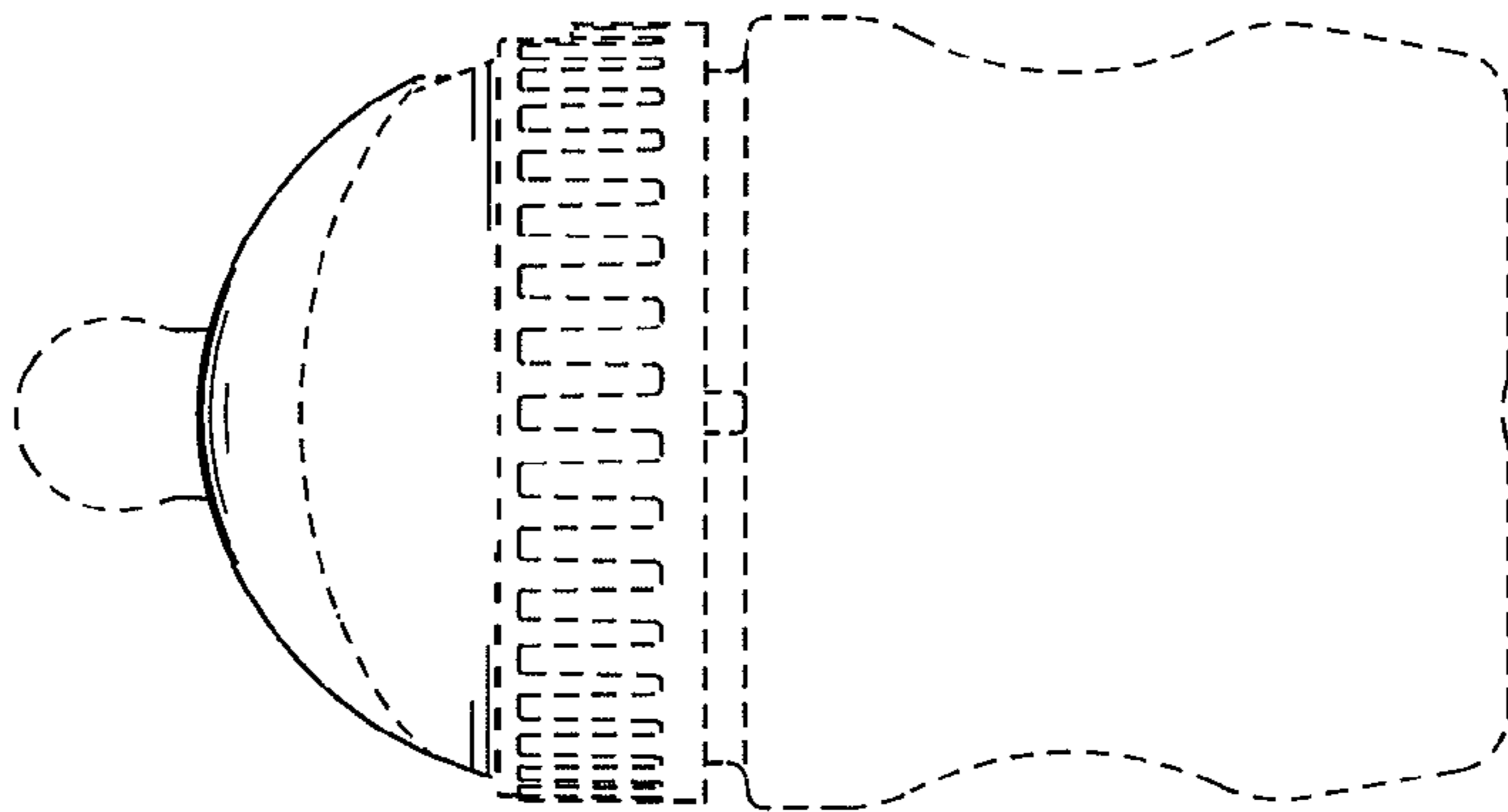


FIG. 4

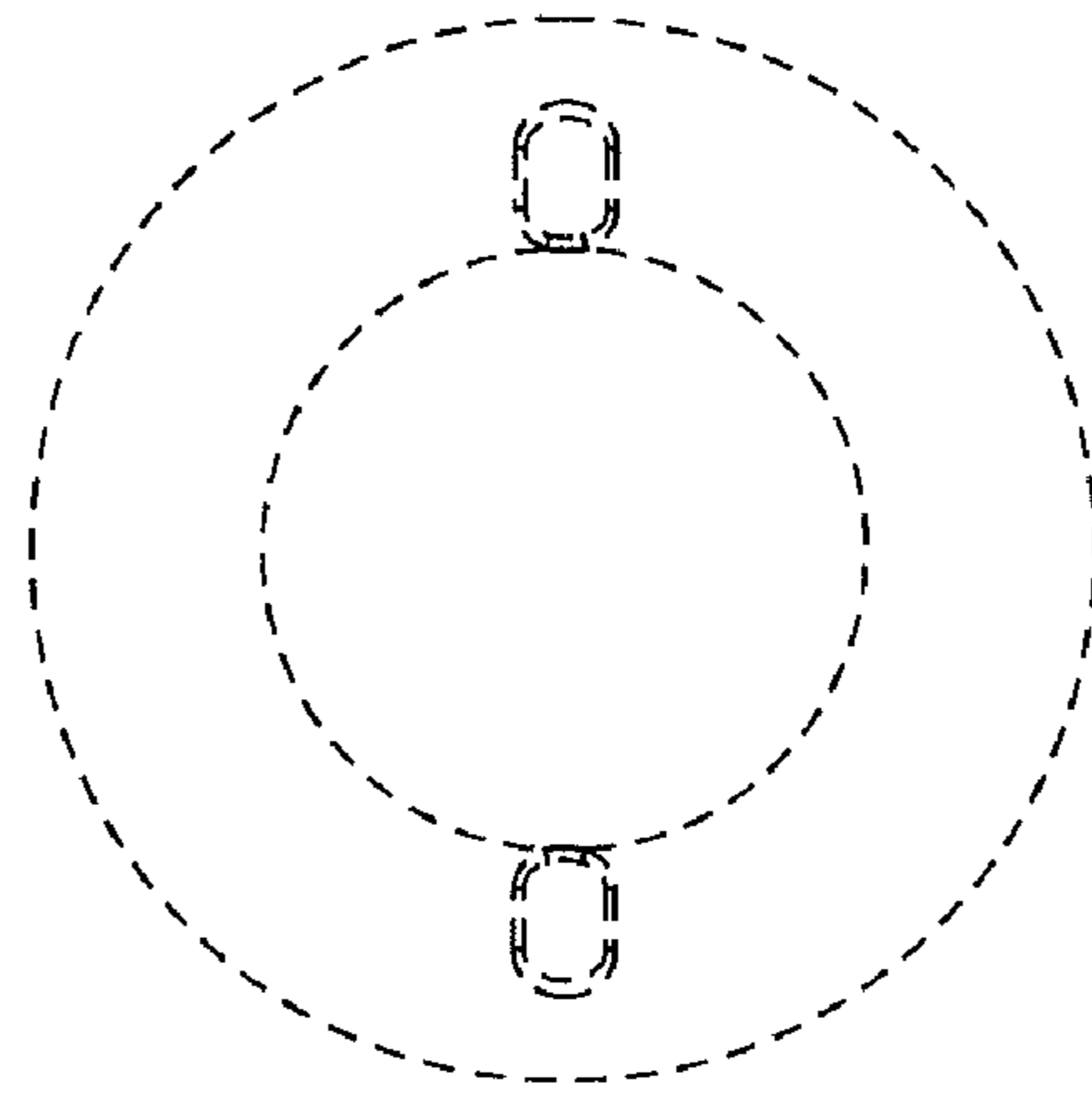


FIG. 6

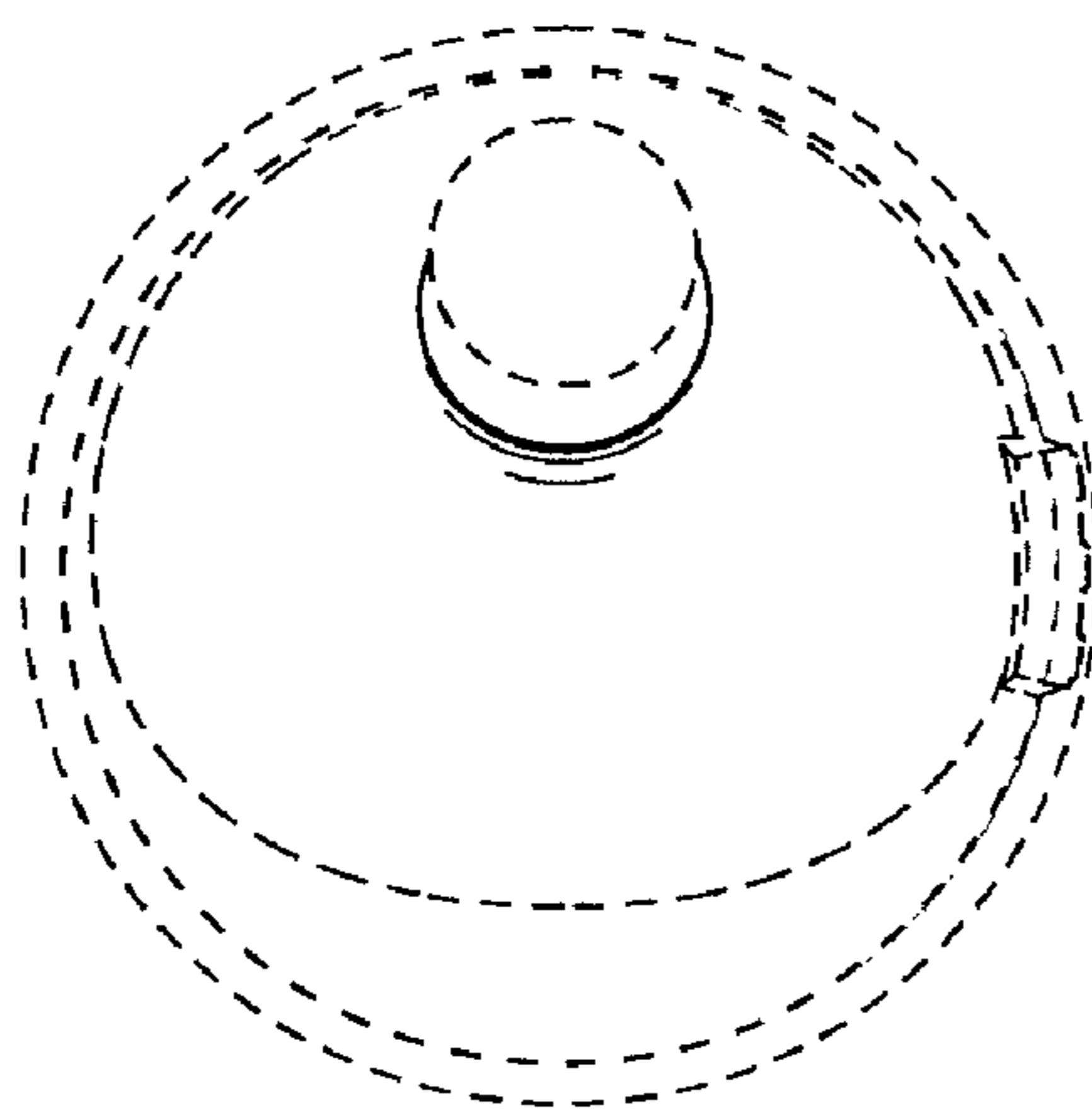


FIG. 7