



US00D652933S

(12) **United States Design Patent**
Boschetti Sacco

(10) **Patent No.:** **US D652,933 S**
(45) **Date of Patent:** **** Jan. 24, 2012**

(54) **SPIROMETER FOR MEDICAL PURPOSES**

(75) Inventor: **Paolo Boschetti Sacco**, Rome (IT)

(73) Assignee: **MIR S.r.l. Medical International Research**, Rome (IT)

(**) Term: **14 Years**

(21) Appl. No.: **29/388,531**

(22) Filed: **Mar. 30, 2011**

(30) **Foreign Application Priority Data**

Sep. 30, 2010 (EM) 001762030-0001

(51) **LOC (9) Cl.** **24-01**

(52) **U.S. Cl.** **D24/164**

(58) **Field of Classification Search** D24/163,
D24/164, 165, 169, 216, 231, 232, 110, 110.5;
D10/78, 81, 96; 600/529, 532, 533, 538,
600/540, 541, 542; 73/23.3

See application file for complete search history.

(56) **References Cited**

U.S. PATENT DOCUMENTS

D332,574 S * 1/1993 Chang D10/78
D339,635 S * 9/1993 Waterson et al. D24/164
D404,131 S * 1/1999 Ghazarian D24/169
D413,825 S * 9/1999 Storsved D10/96
6,042,551 A * 3/2000 Harbrecht et al. 600/532
D423,101 S * 4/2000 Durst et al. D24/164
D465,573 S * 11/2002 Niles et al. D24/164

D541,419 S * 4/2007 Jones, Jr. D24/164
D549,341 S * 8/2007 Ross et al. D24/164
D628,104 S * 11/2010 Zheng D10/81

* cited by examiner

Primary Examiner — Anhdao Doan

(74) *Attorney, Agent, or Firm* — Young & Thompson

(57) **CLAIM**

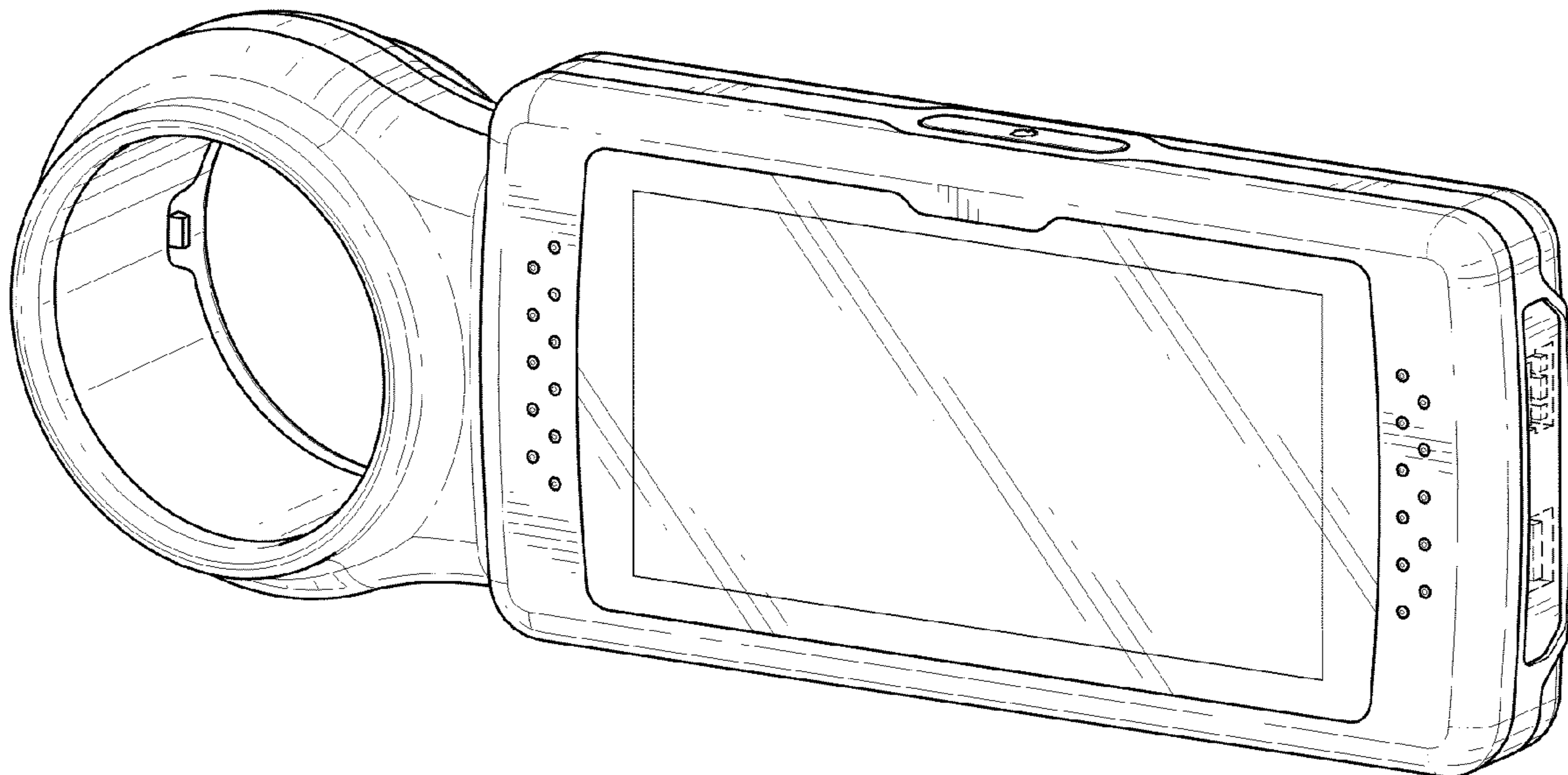
The ornamental design for a spirometer for medical purposes, as shown and described.

DESCRIPTION

FIG. 1 is a front, top, and left side perspective view of a spirometer for medical purposes showing the new design; FIG. 2 is a front elevation view thereof; FIG. 3 is a rear elevation view thereof; FIG. 4 is a top plan view thereof; FIG. 5 is a bottom plan view thereof; FIG. 6 is a right side elevation view thereof; FIG. 7 is a left side elevation view thereof; FIG. 8 is an exploded front perspective view of the spirometer shown in FIG. 1 when separated into two parts; FIG. 9 is a perspective view of the first separated part thereof shown separately for clarity of the illustration; and, FIG. 10 is a perspective view of the second separated part thereof shown separately for clarity of the illustration.

The broken lines shown in FIGS. 1 and 7-10 views are included for the purpose of illustrating portions of the spirometer for medical purposes that form no part of the claimed design.

1 Claim, 7 Drawing Sheets



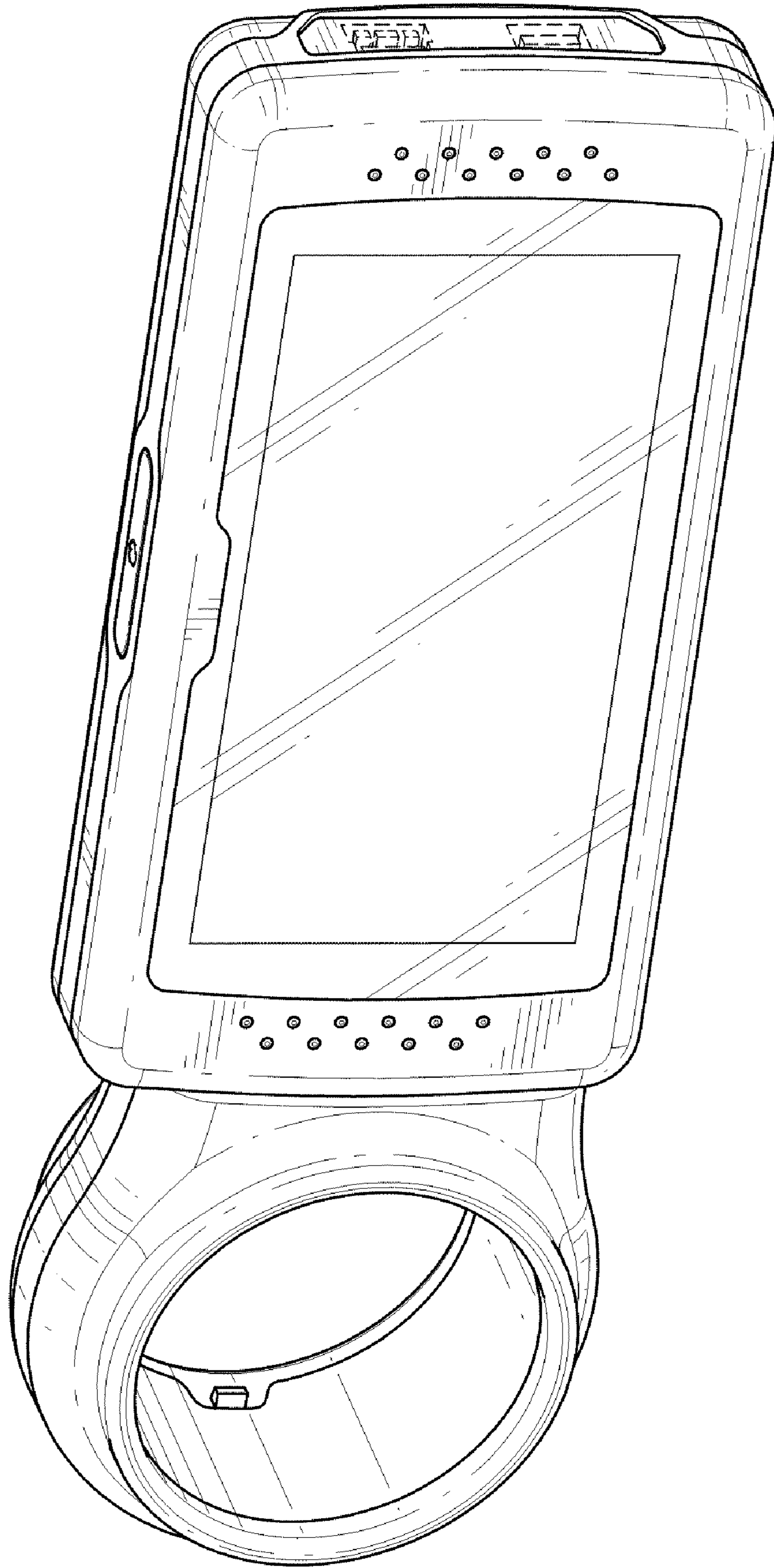


FIG. 1

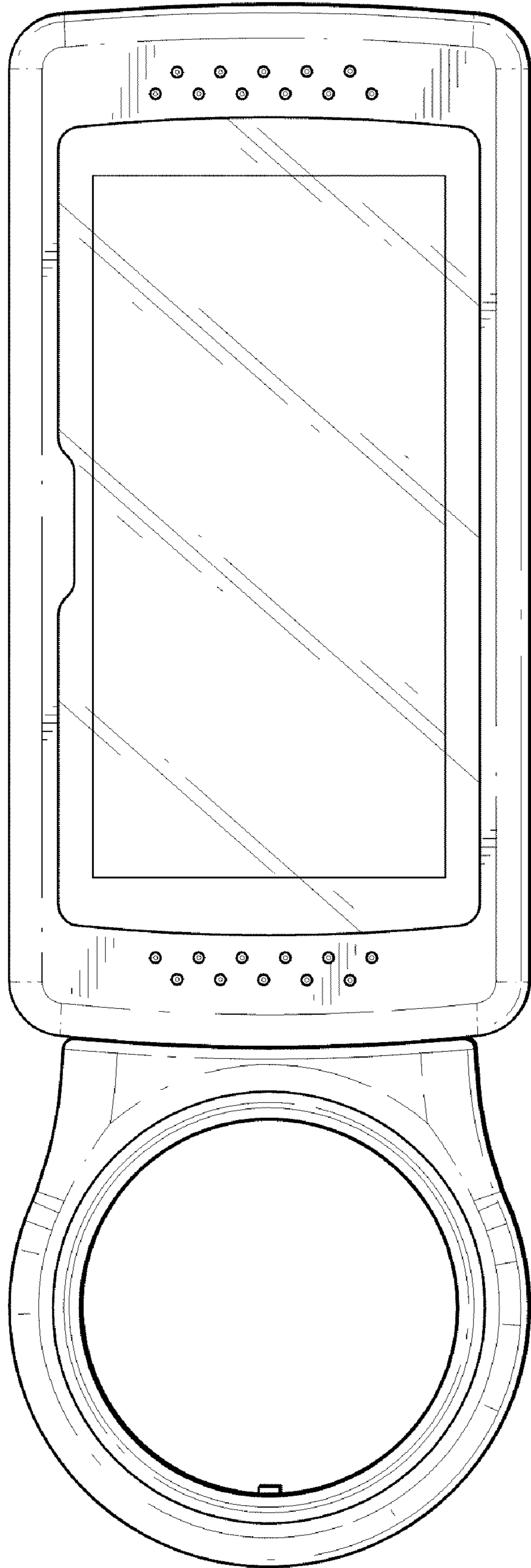


FIG. 2



FIG. 3

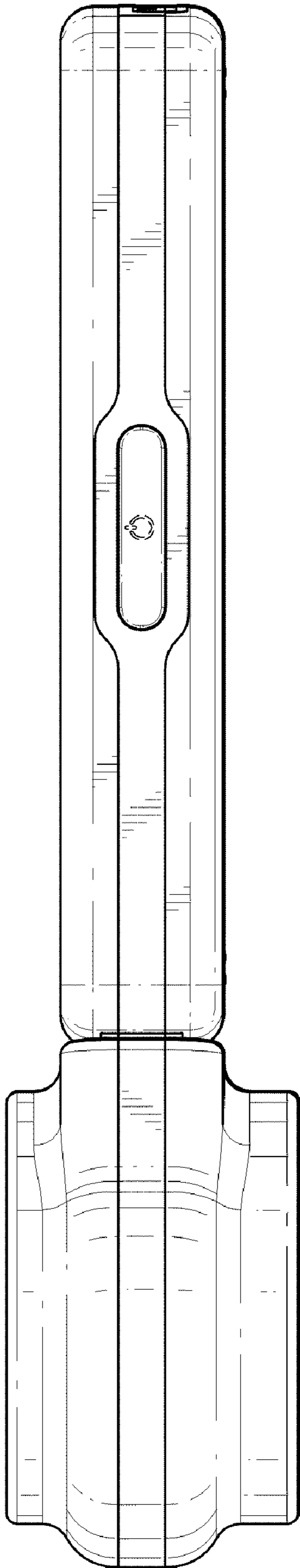


FIG. 4

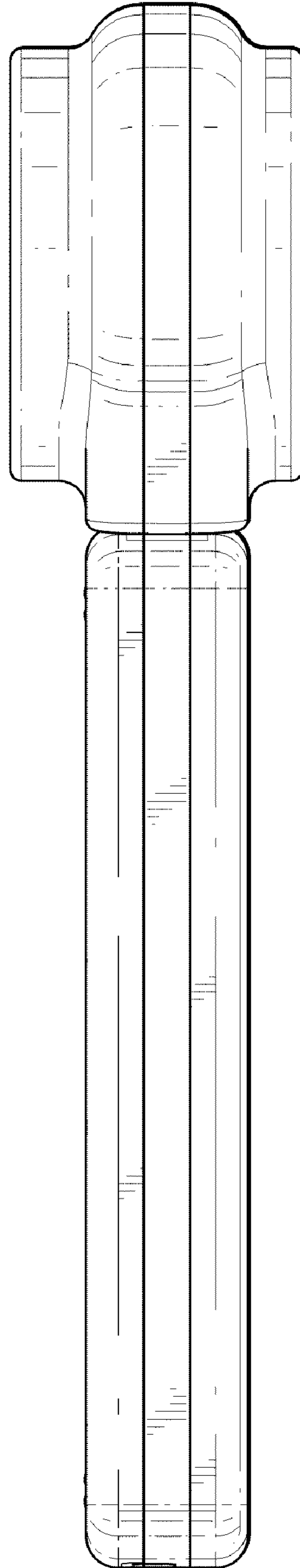


FIG. 5

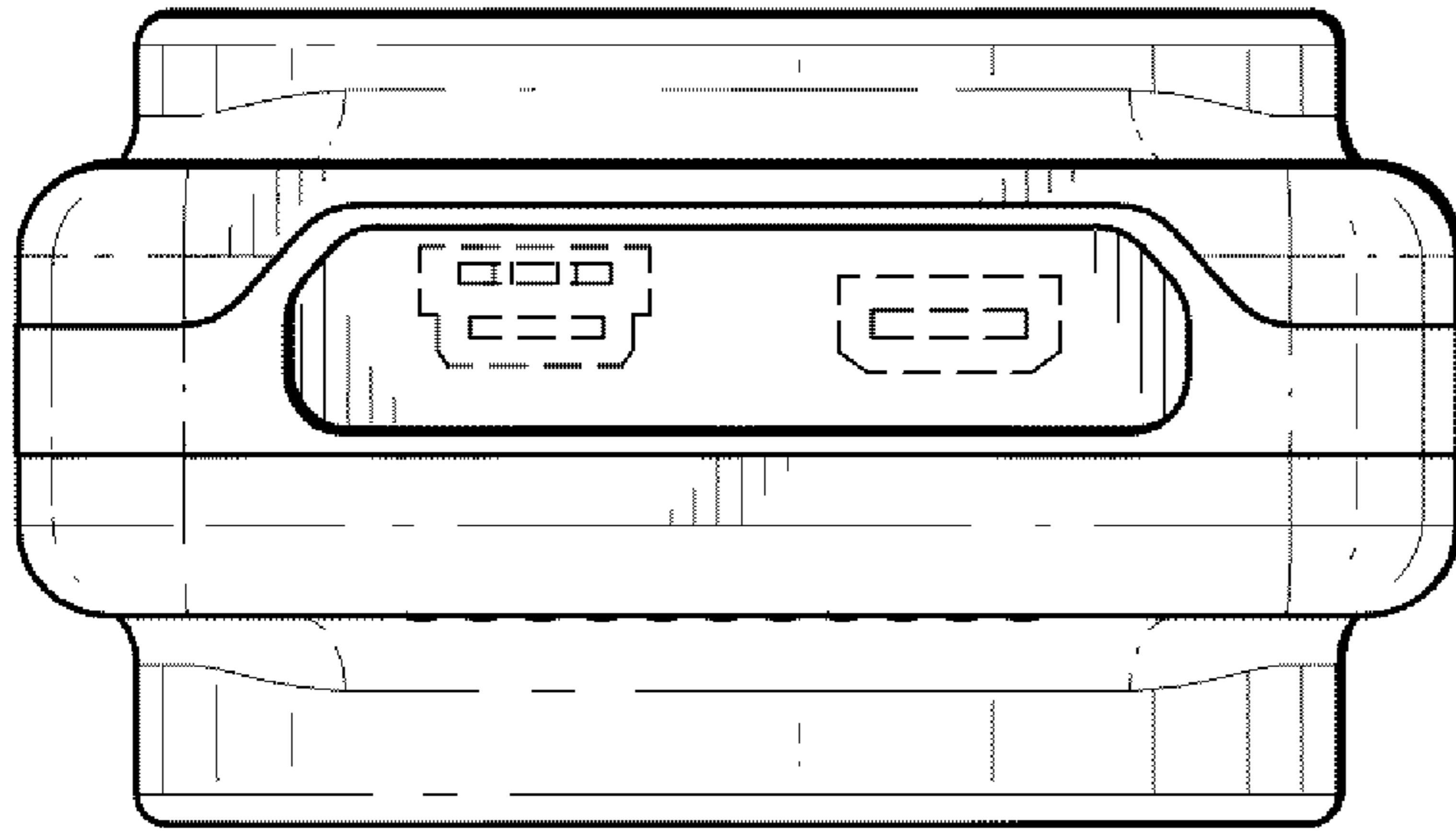


FIG. 7

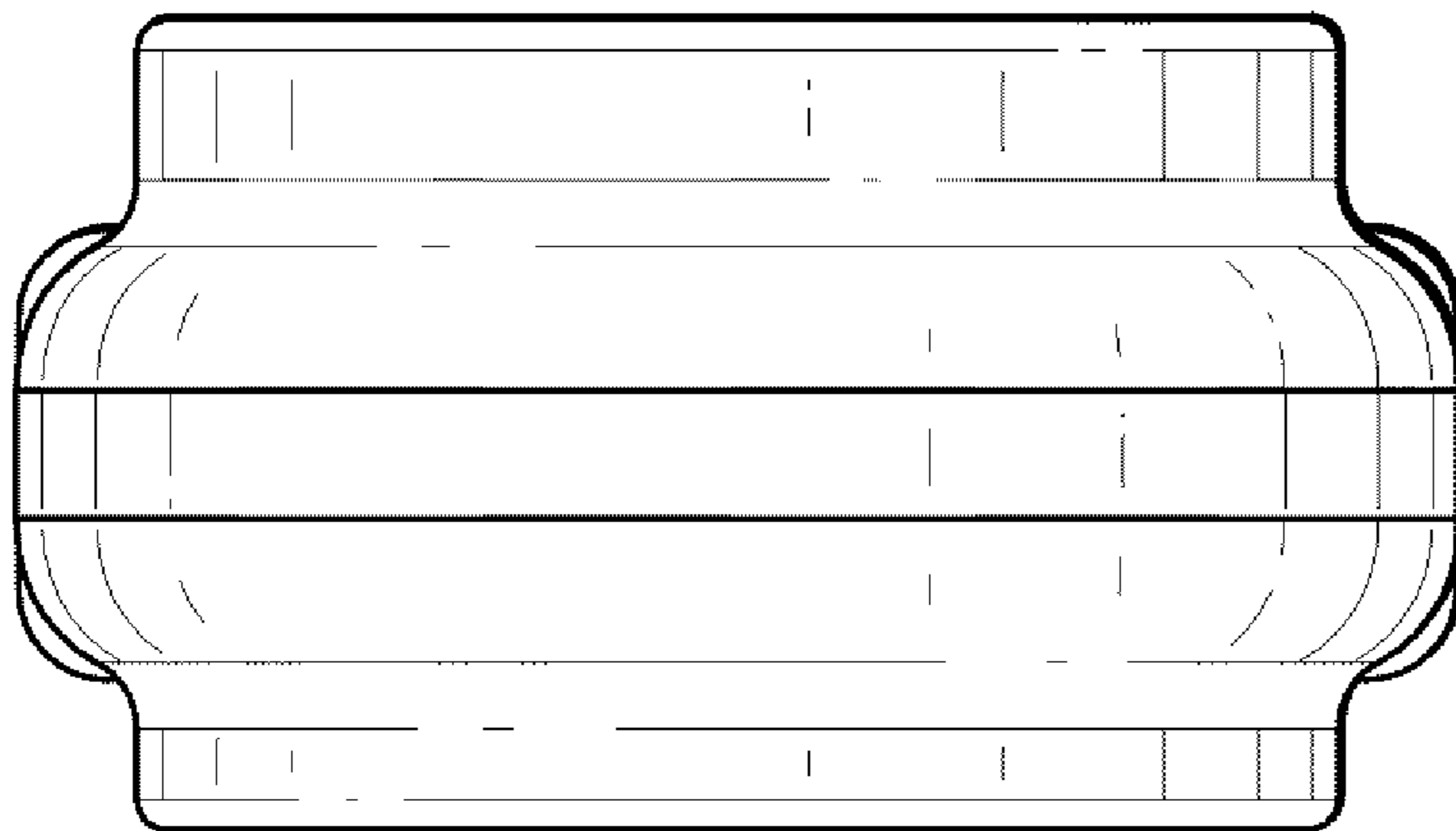


FIG. 6

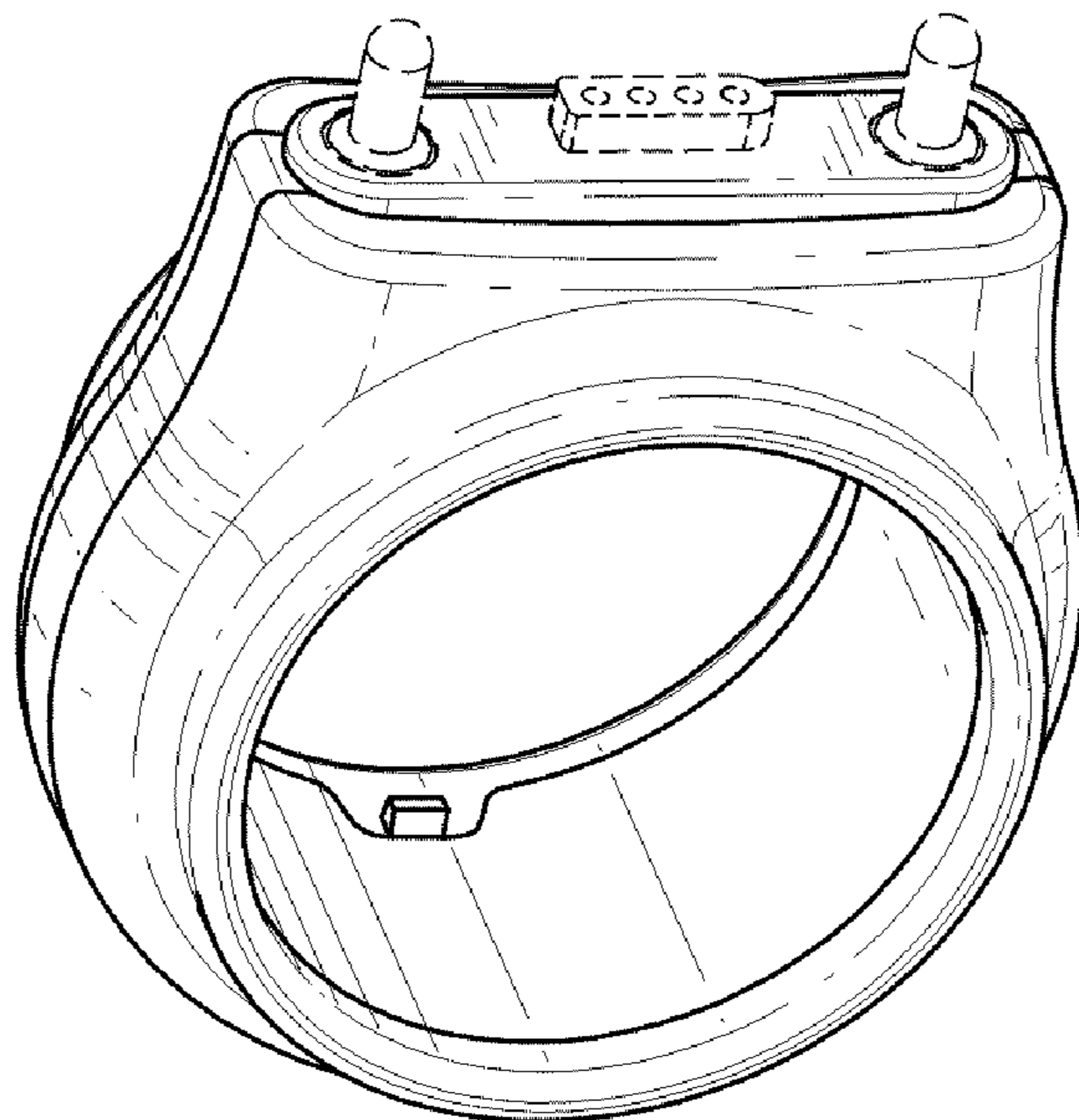
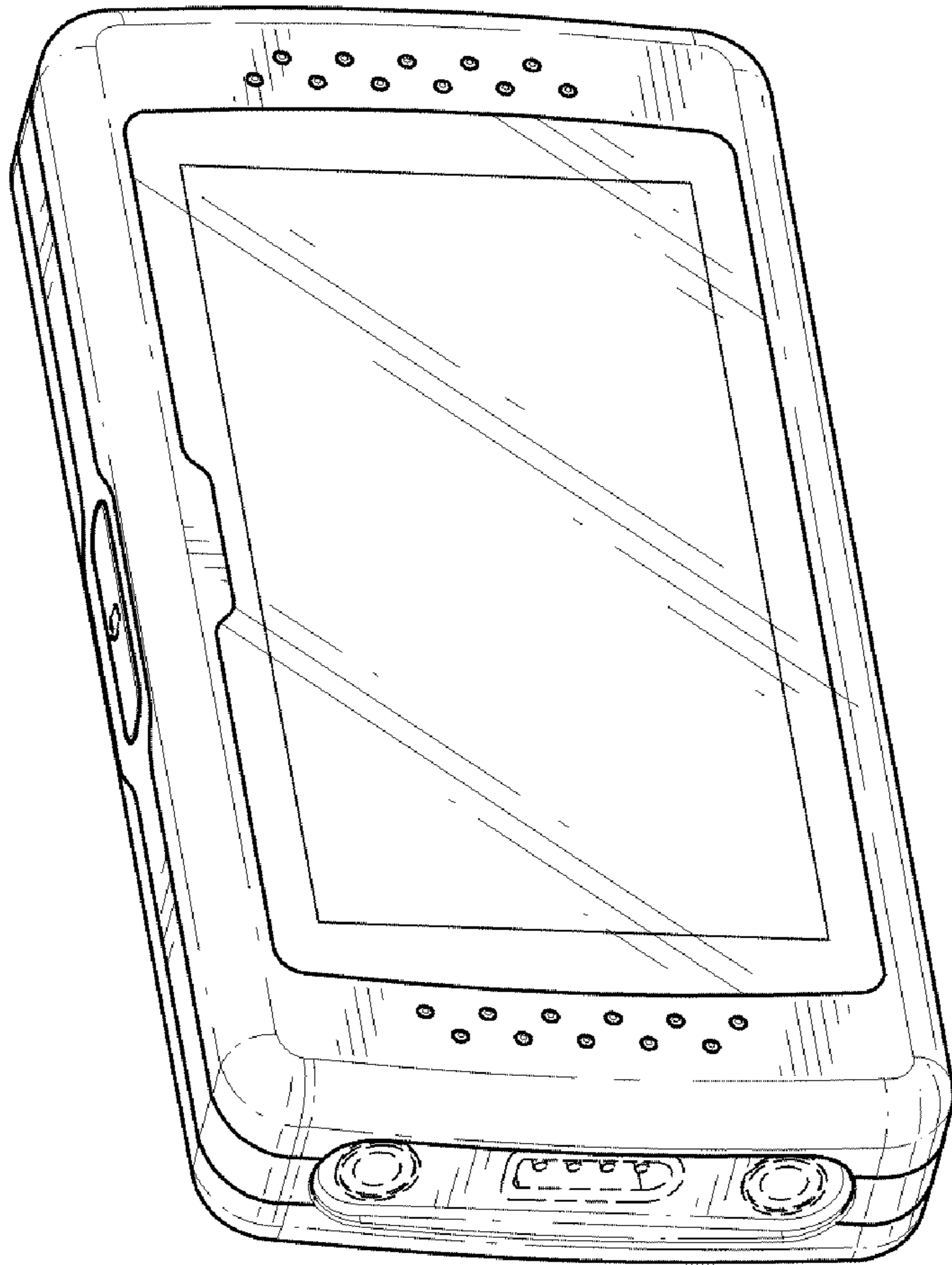


FIG. 8

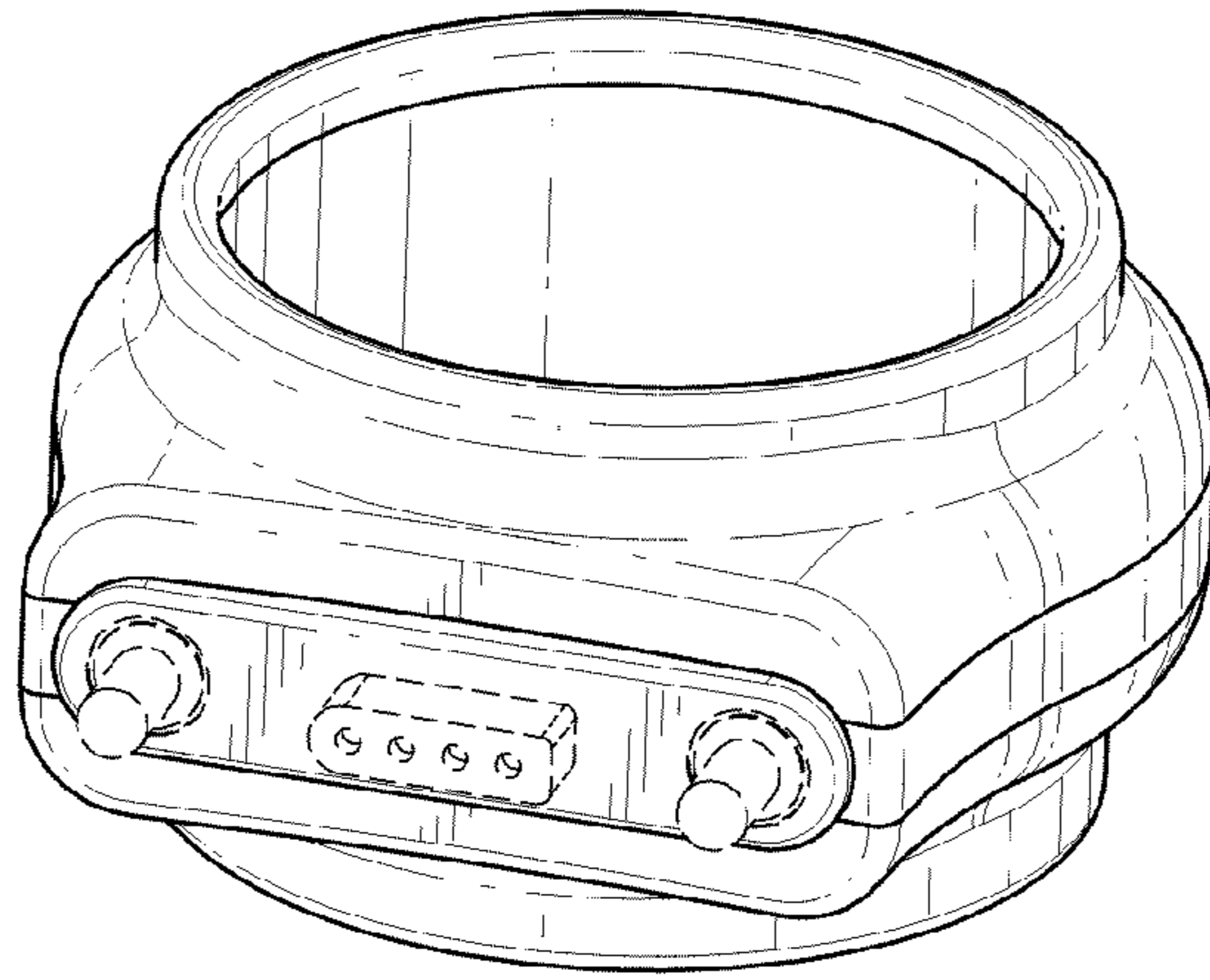


FIG. 10

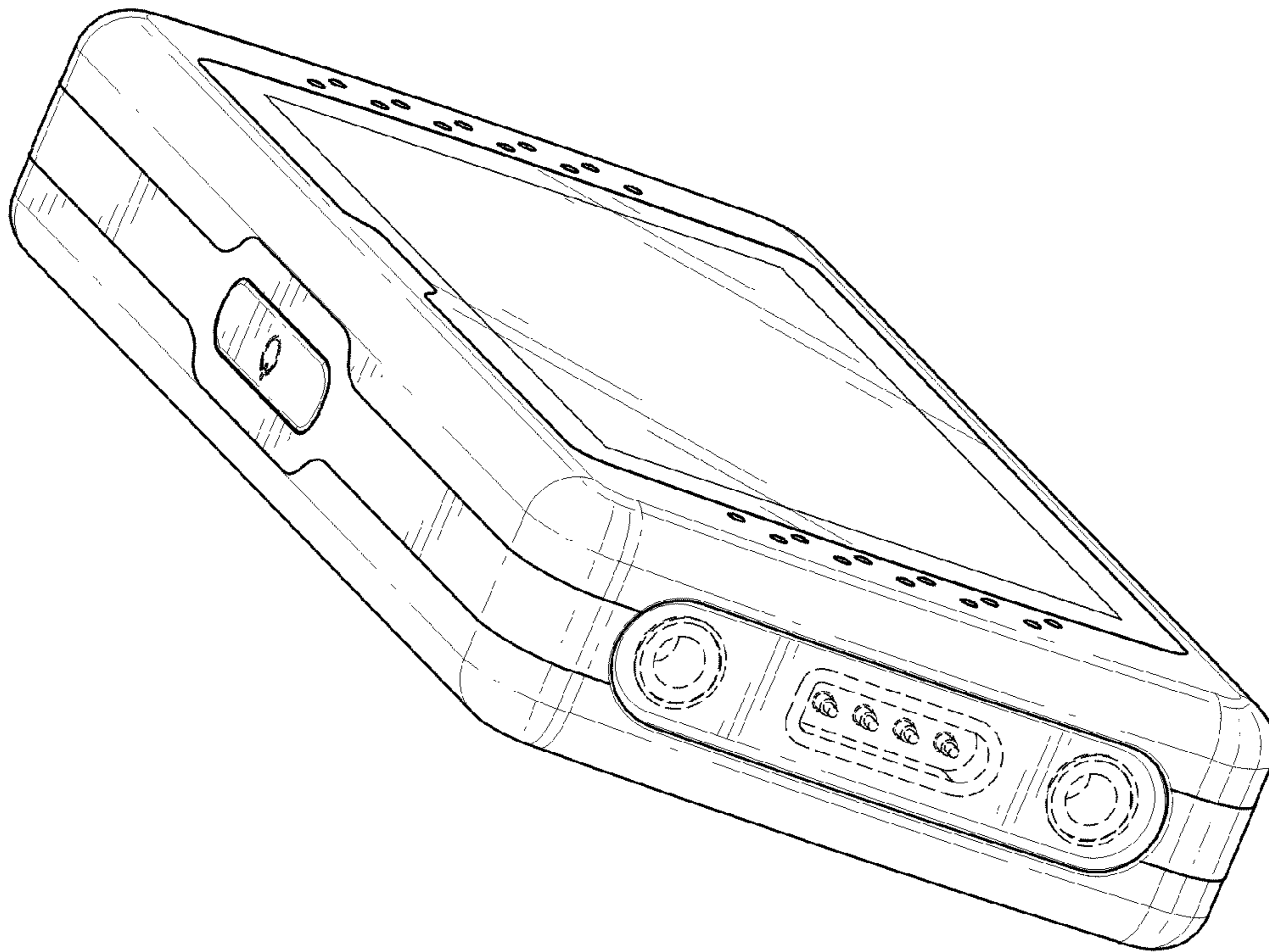


FIG. 9