



US00D652932S

(12) **United States Design Patent**
Petteway

(10) **Patent No.:** **US D652,932 S**

(45) **Date of Patent:** **** Jan. 24, 2012**

(54) **SUPPORT FOR A CONTINUOUS POSITIVE AIRWAY PRESSURE MACHINE**

(76) Inventor: **Jeffrey M. Petteway**, North Richland Hills, TX (US)

(**) Term: **14 Years**

(21) Appl. No.: **29/381,080**

(22) Filed: **Dec. 15, 2010**

(51) **LOC (9) Cl.** **24-01**

(52) **U.S. Cl.** **D24/164**

(58) **Field of Classification Search** D24/163, D24/164, 165, 169, 216, 231, 232, 110, 110.5, D24/128, 177, 183, 184, 185, 227; 128/204.18, 128/204.25, 205.15, 205.18, 205.24; 141/3, 141/4; D6/341, 509, 511, 567, 574, 406.1; D8/354, 381; D12/425; 248/214, 310, 678; 108/46, 97

See application file for complete search history.

(56) **References Cited**

U.S. PATENT DOCUMENTS

- D274,982 S * 8/1984 Hunter D9/455
- D292,153 S * 10/1987 Delaney, Sr. D6/406.6
- D315,463 S * 3/1991 Spiegel D6/511

- 5,316,541 A * 5/1994 Fischer 600/21
- D354,350 S * 1/1995 Pryor et al. D24/128
- D366,170 S * 1/1996 Temple D6/511
- D433,662 S * 11/2000 Fanshaw et al. D12/407
- D473,065 S * 4/2003 Wilson et al. D6/406.1
- D546,949 S * 7/2007 Green D24/164
- D582,554 S * 12/2008 Adams D24/164
- D626,238 S * 10/2010 Zinnanti D24/185
- D628,299 S * 11/2010 Held D24/185
- 8,011,362 B2 * 9/2011 Adams 128/200.24

* cited by examiner

Primary Examiner — Anhdao Doan

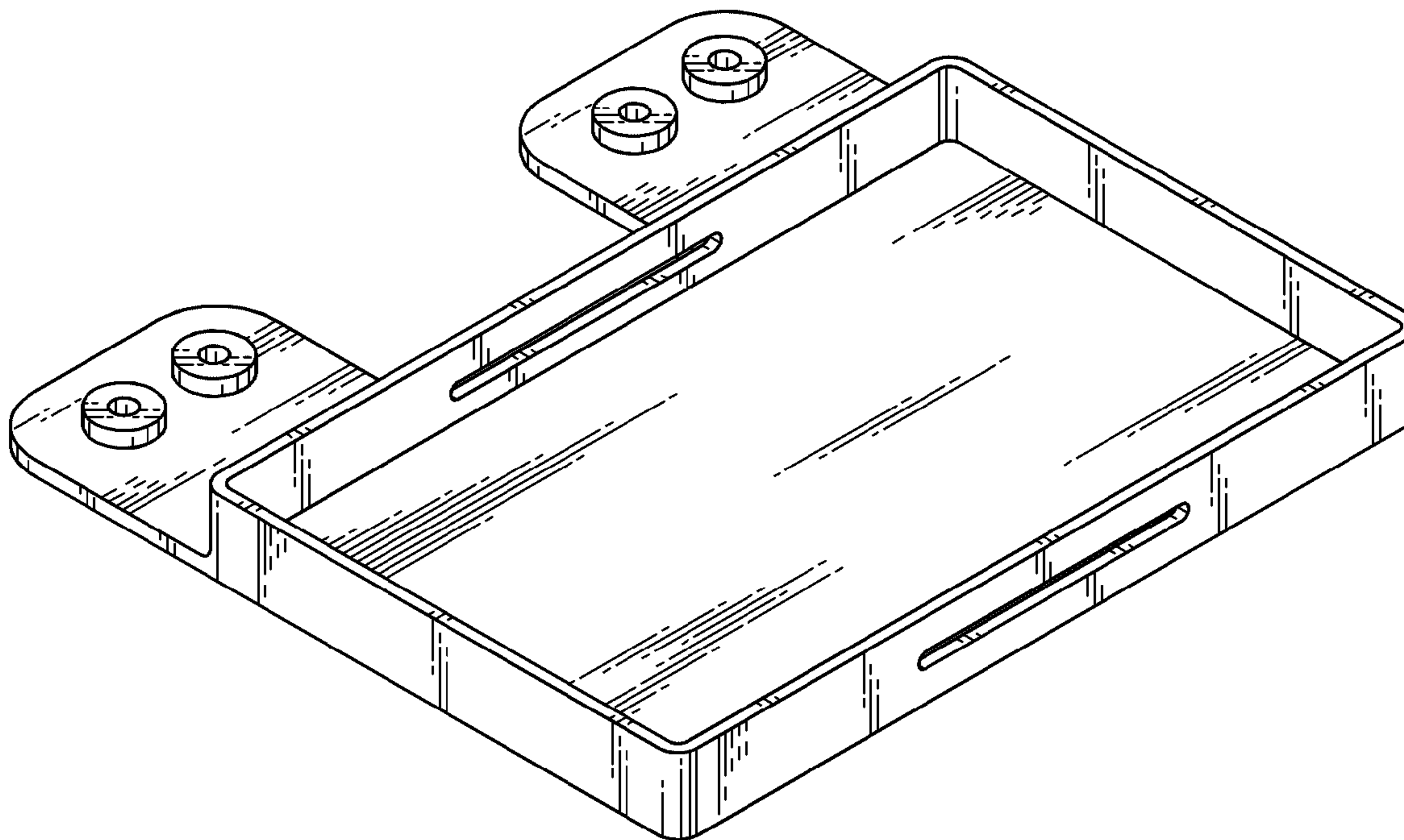
(57) **CLAIM**

The ornamental design for a support for a continuous positive airway pressure machine, as shown and described.

DESCRIPTION

FIG. 1 is a top perspective view of a support for a continuous positive airway pressure machine;
 FIG. 2 is a bottom perspective view thereof;
 FIG. 3 is a front elevation view thereof;
 FIG. 4 is a top plan view thereof;
 FIG. 5 is a side elevation view thereof;
 FIG. 6 is a rear elevation view thereof; and,
 FIG. 7 is a bottom plan view thereof.

1 Claim, 3 Drawing Sheets



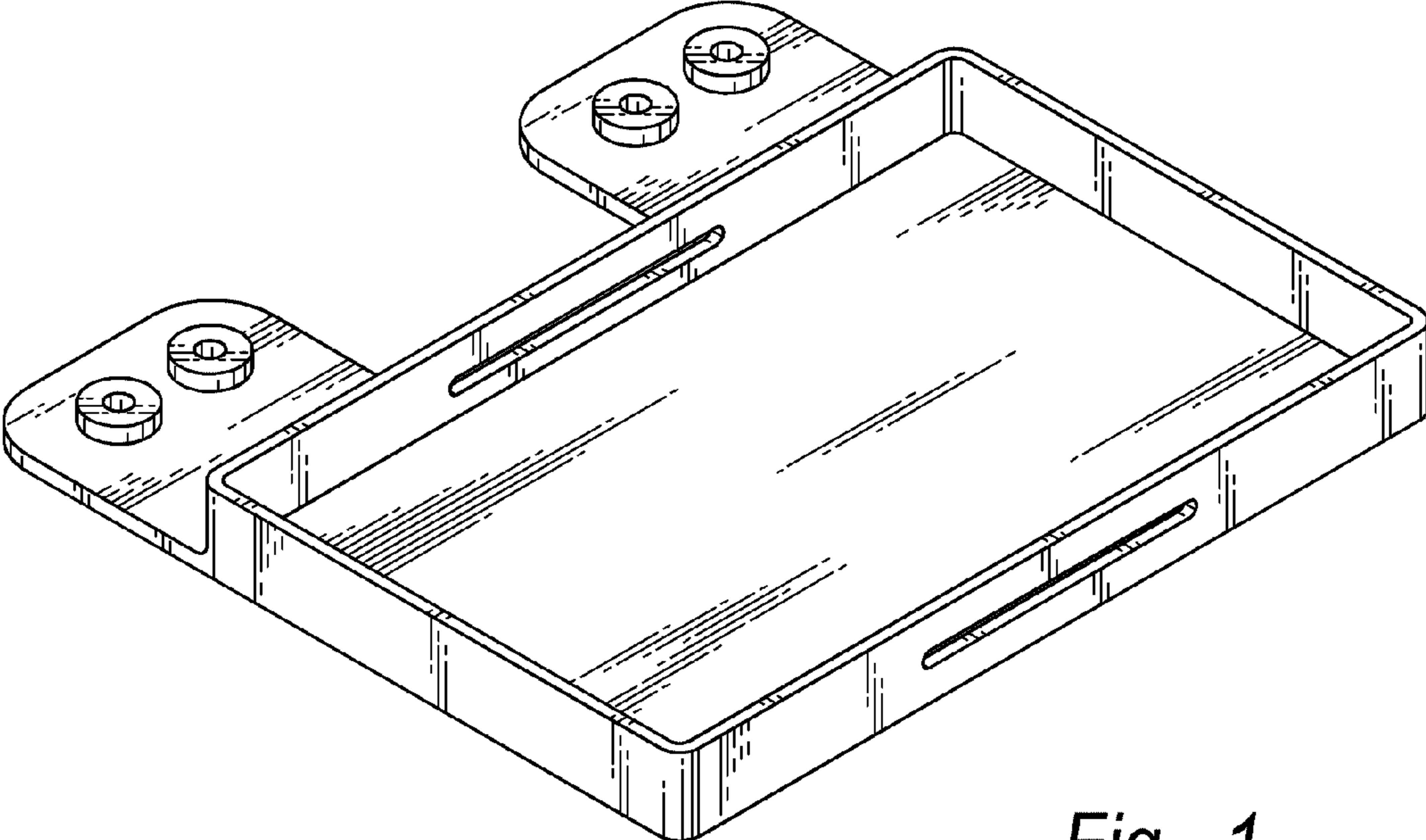


Fig. 1

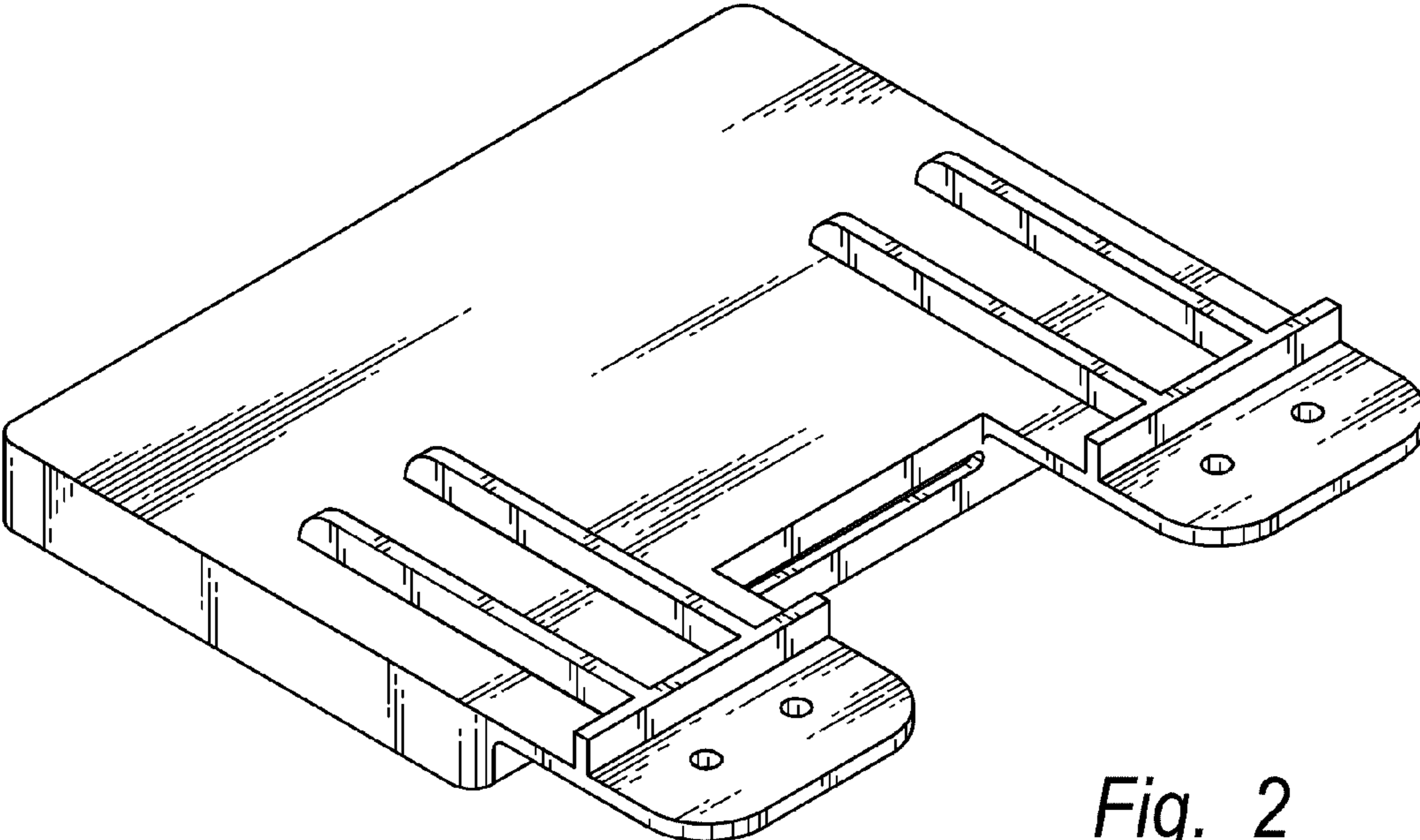


Fig. 2

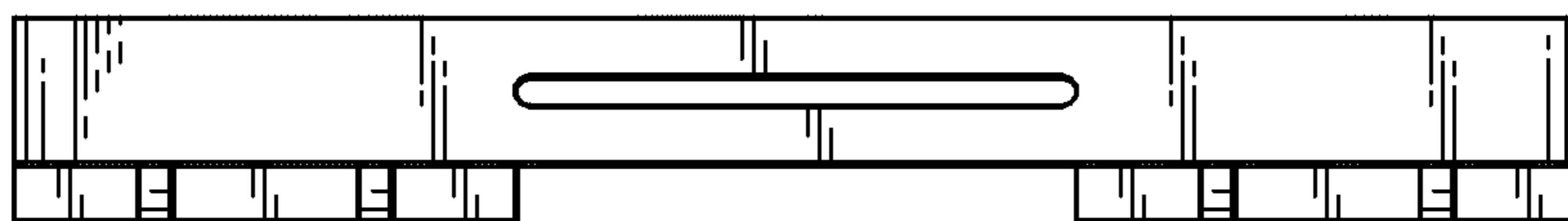


Fig. 3

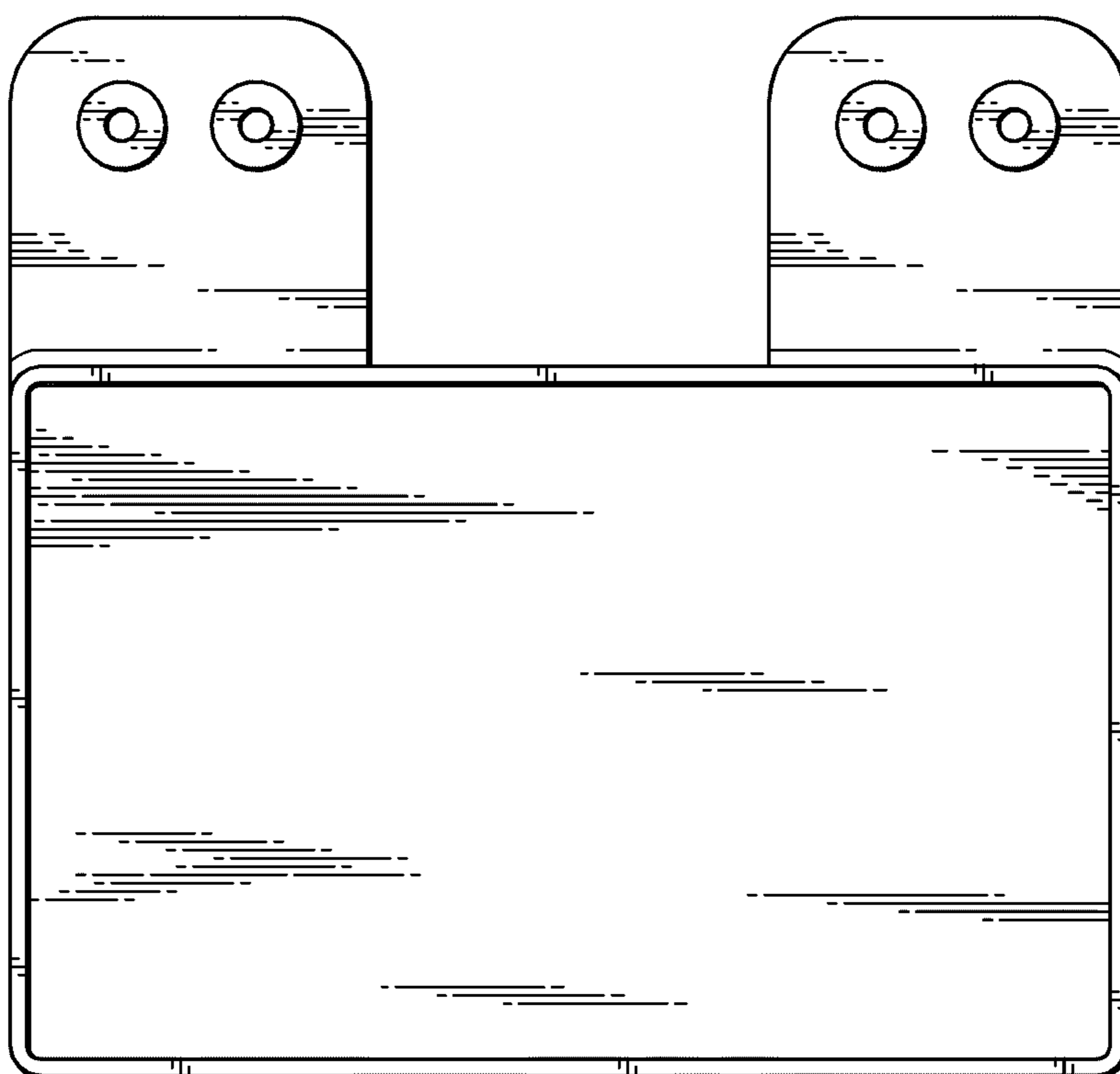


Fig. 4



Fig. 5

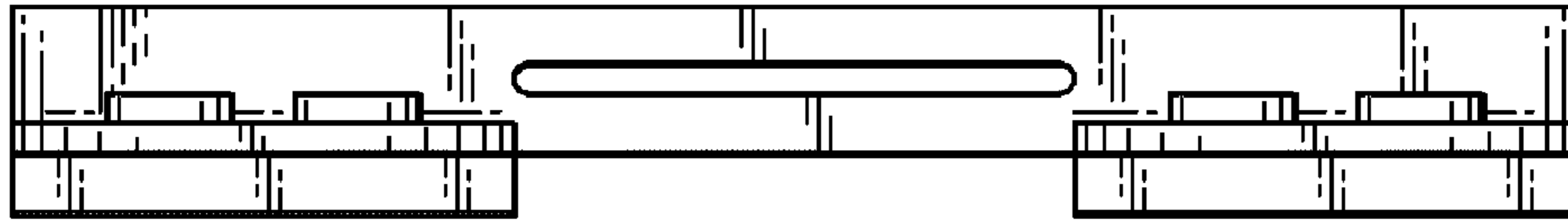


Fig. 6

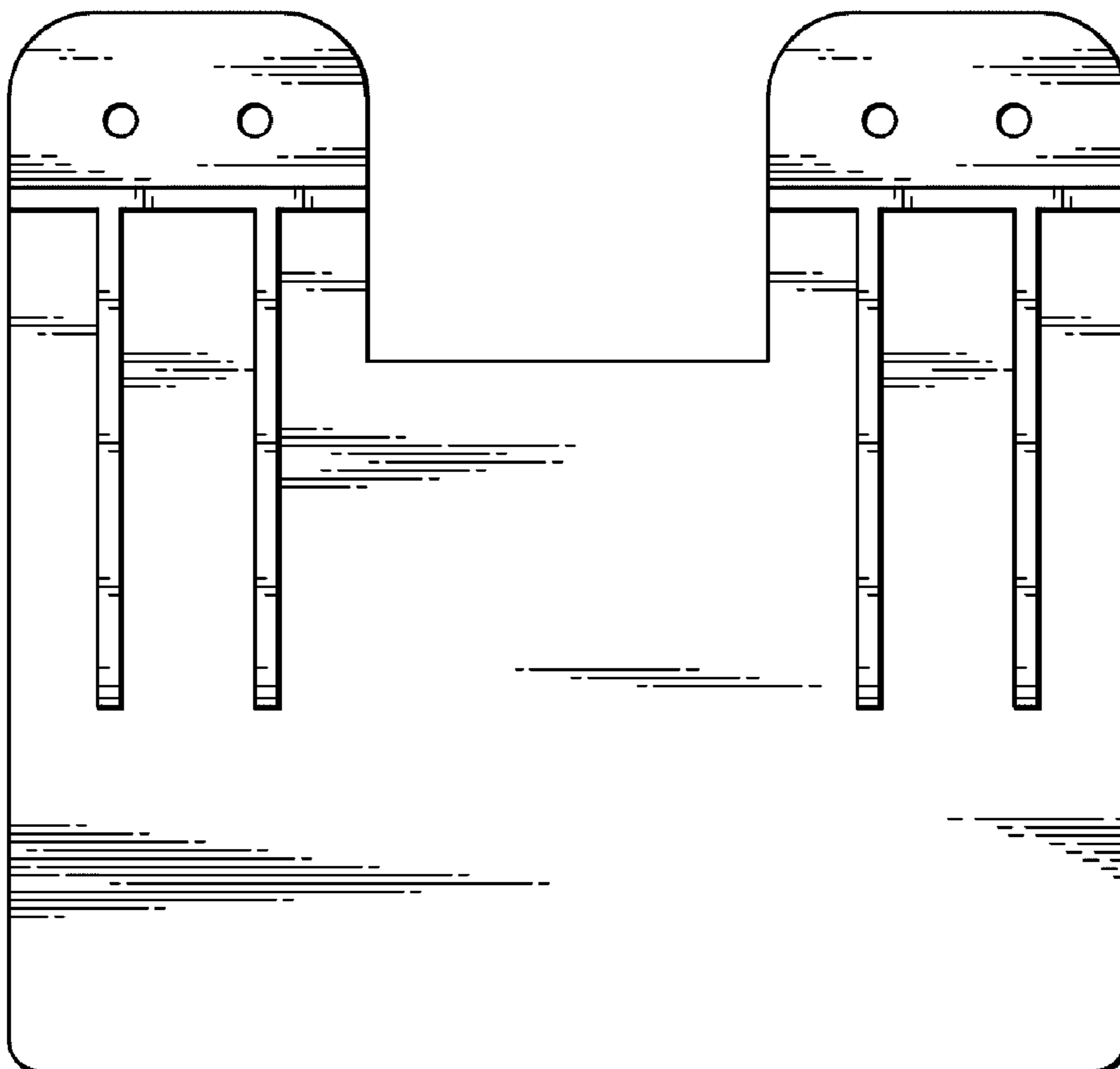


Fig. 7