



US00D652931S

(12) **United States Design Patent**  
**Petteway**

(10) **Patent No.:** **US D652,931 S**  
(45) **Date of Patent:** **\*\* Jan. 24, 2012**

(54) **SUPPORT FOR A CONTINUOUS POSITIVE AIRWAY PRESSURE MACHINE**

(76) Inventor: **Jeffrey M. Petteway**, North Richland Hills, TX (US)

(\*\*) Term: **14 Years**

(21) Appl. No.: **29/381,077**

(22) Filed: **Dec. 15, 2010**

(51) **LOC (9) Cl.** ..... **24-01**

(52) **U.S. Cl.** ..... **D24/164**

(58) **Field of Classification Search** ..... D24/163, D24/164, 165, 169, 216, 231, 232, 110, 110.5, D24/128, 177, 183, 184, 185, 227; 128/204.18, 128/204.25, 205.15, 205.18, 205.24; 141/3, 141/4; D6/341, 509, 511, 567, 574, 406.1; D8/354, 381; D12/425; 248/214, 310, 678; 108/46, 97

See application file for complete search history.

(56) **References Cited**

U.S. PATENT DOCUMENTS

D274,982 S \* 8/1984 Hunter ..... D9/455  
D292,153 S \* 10/1987 Delaney, Sr. .... D6/406.6  
D315,463 S \* 3/1991 Spiegel ..... D6/511

5,316,541 A \* 5/1994 Fischer ..... 600/21  
D354,350 S \* 1/1995 Pryor et al. .... D24/128  
D366,170 S \* 1/1996 Temple ..... D6/511  
D433,662 S \* 11/2000 Fanshaw et al. .... D12/407  
D473,065 S \* 4/2003 Wilson et al. .... D6/406.1  
D546,949 S \* 7/2007 Green ..... D24/164  
D582,554 S \* 12/2008 Adams ..... D24/164  
D626,238 S \* 10/2010 Zinnanti ..... D24/185  
D628,299 S \* 11/2010 Held ..... D24/185  
8,011,362 B2 \* 9/2011 Adams ..... 128/200.24

\* cited by examiner

*Primary Examiner* — Anhdao Doan

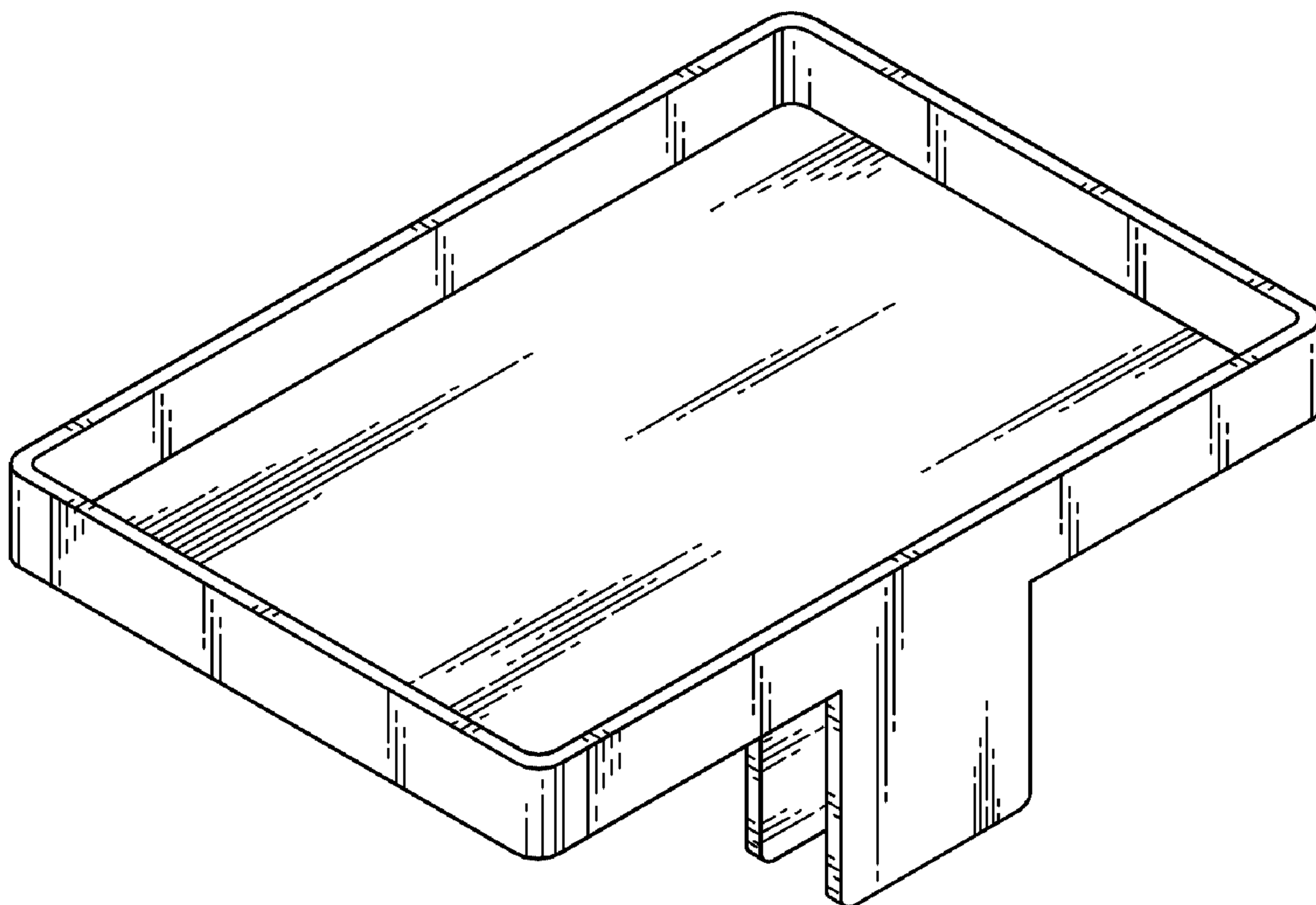
(57) **CLAIM**

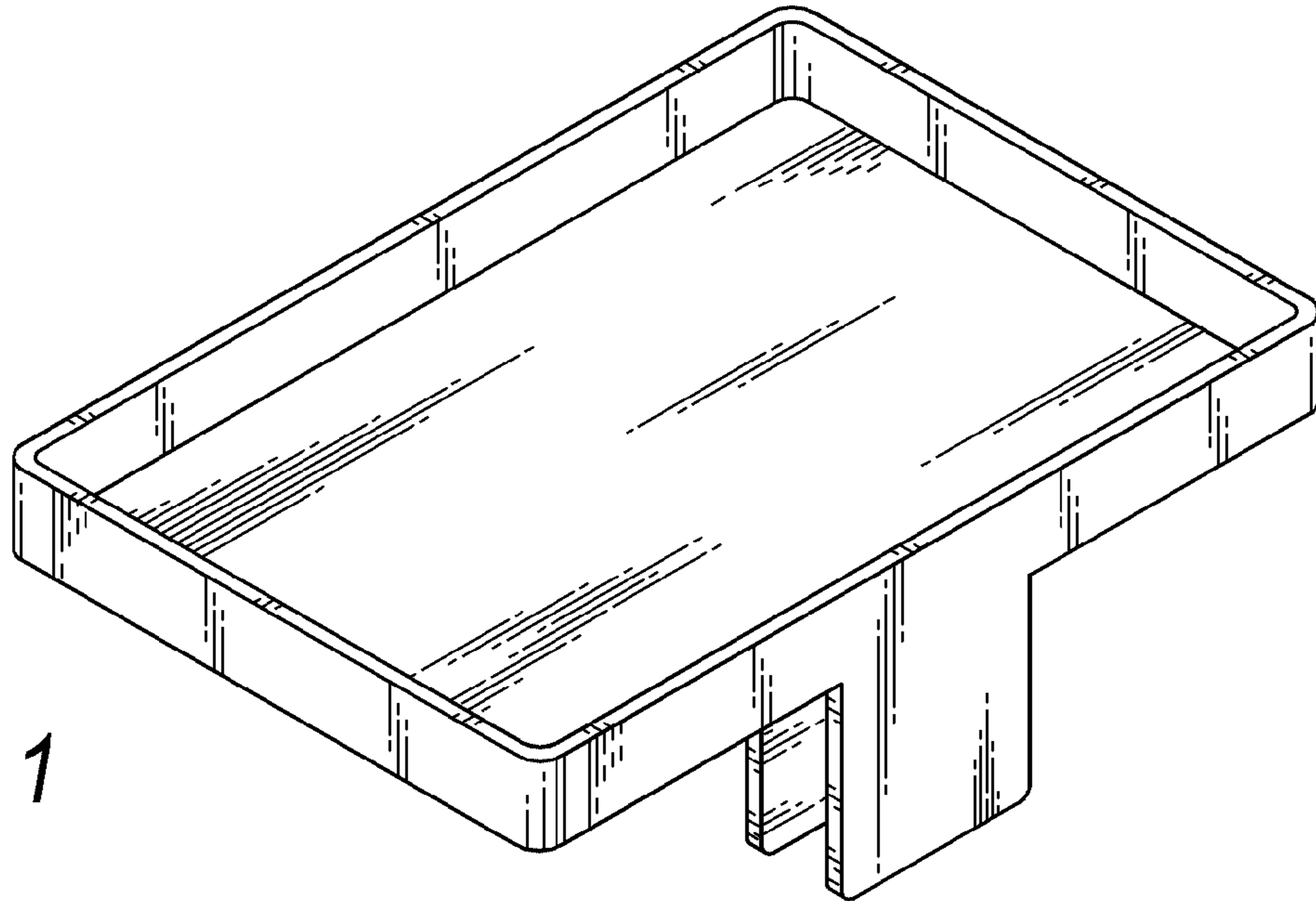
The ornamental design for a support for a continuous positive airway pressure machine, as shown and described.

**DESCRIPTION**

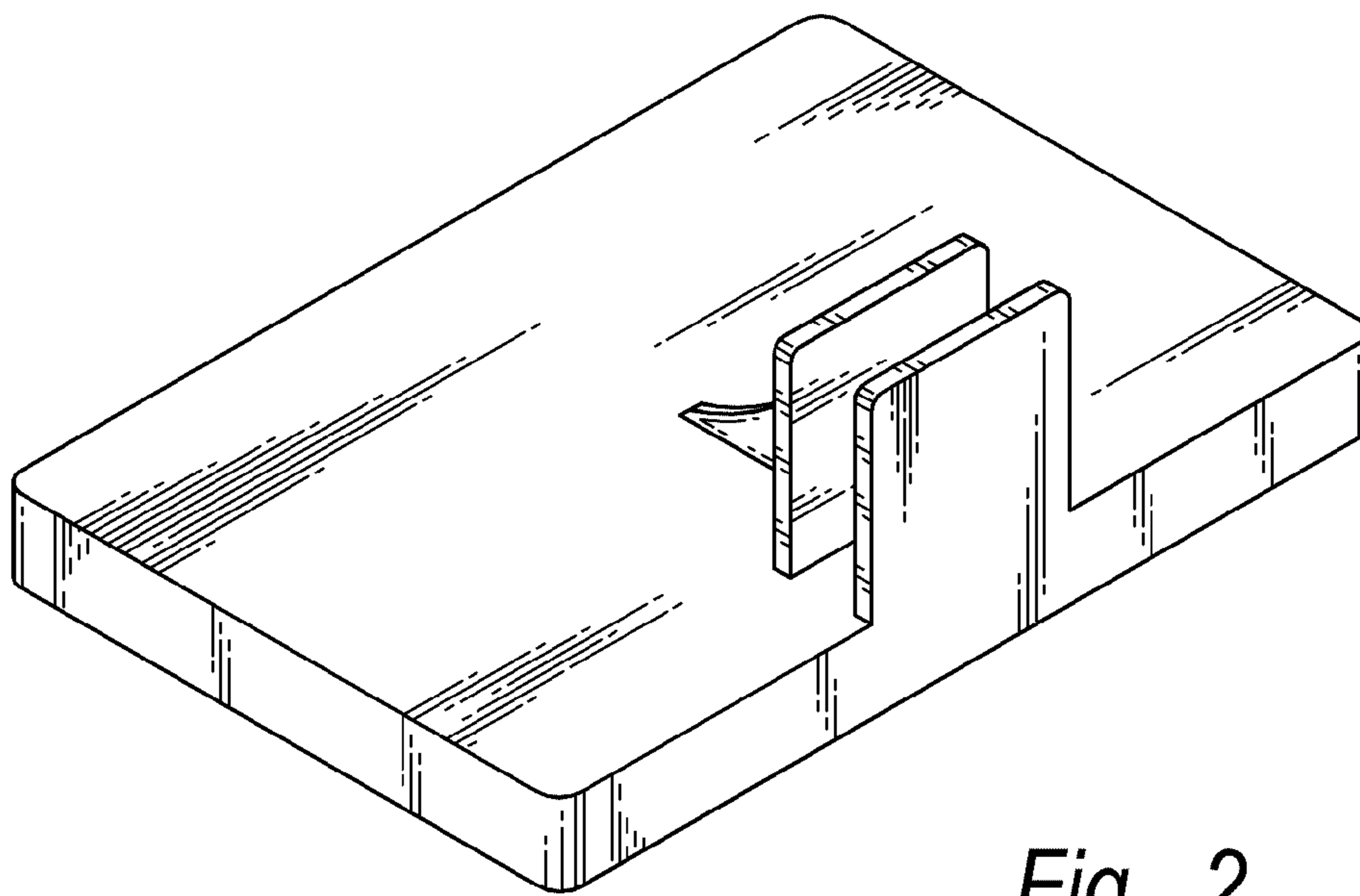
FIG. 1 is a top perspective view of a support for a continuous positive airway pressure machine;  
FIG. 2 is a bottom perspective view thereof;  
FIG. 3 is a rear elevation view thereof;  
FIG. 4 is a top plan view thereof;  
FIG. 5 is a side elevation view thereof;  
FIG. 6 is a front elevation view thereof; and,  
FIG. 7 is a bottom plan view thereof.

**1 Claim, 3 Drawing Sheets**

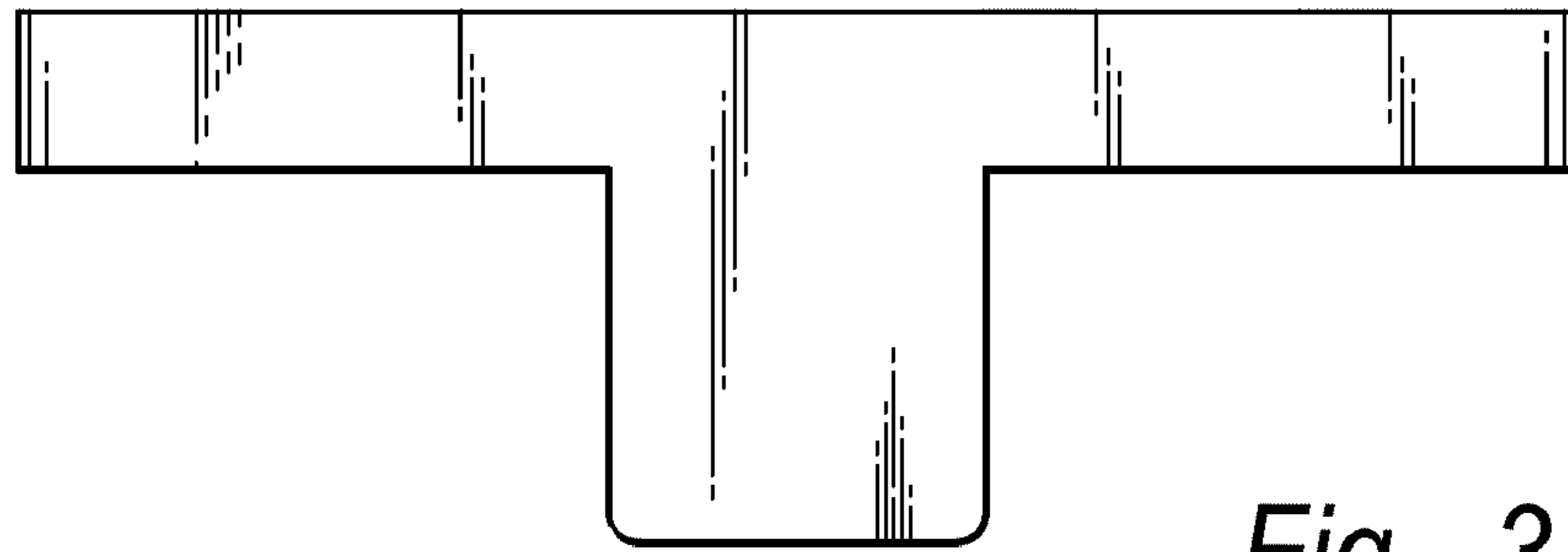




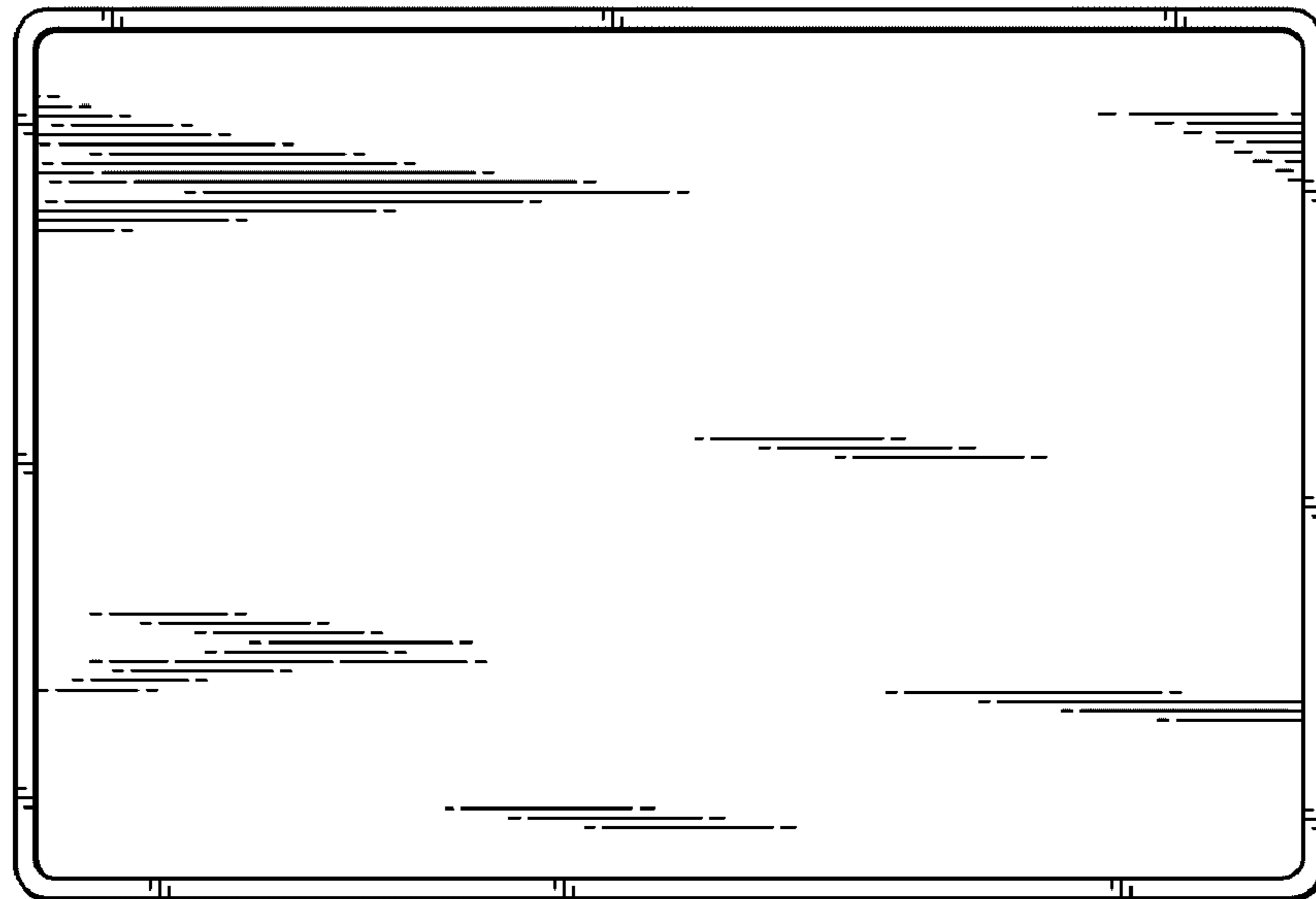
*Fig. 1*



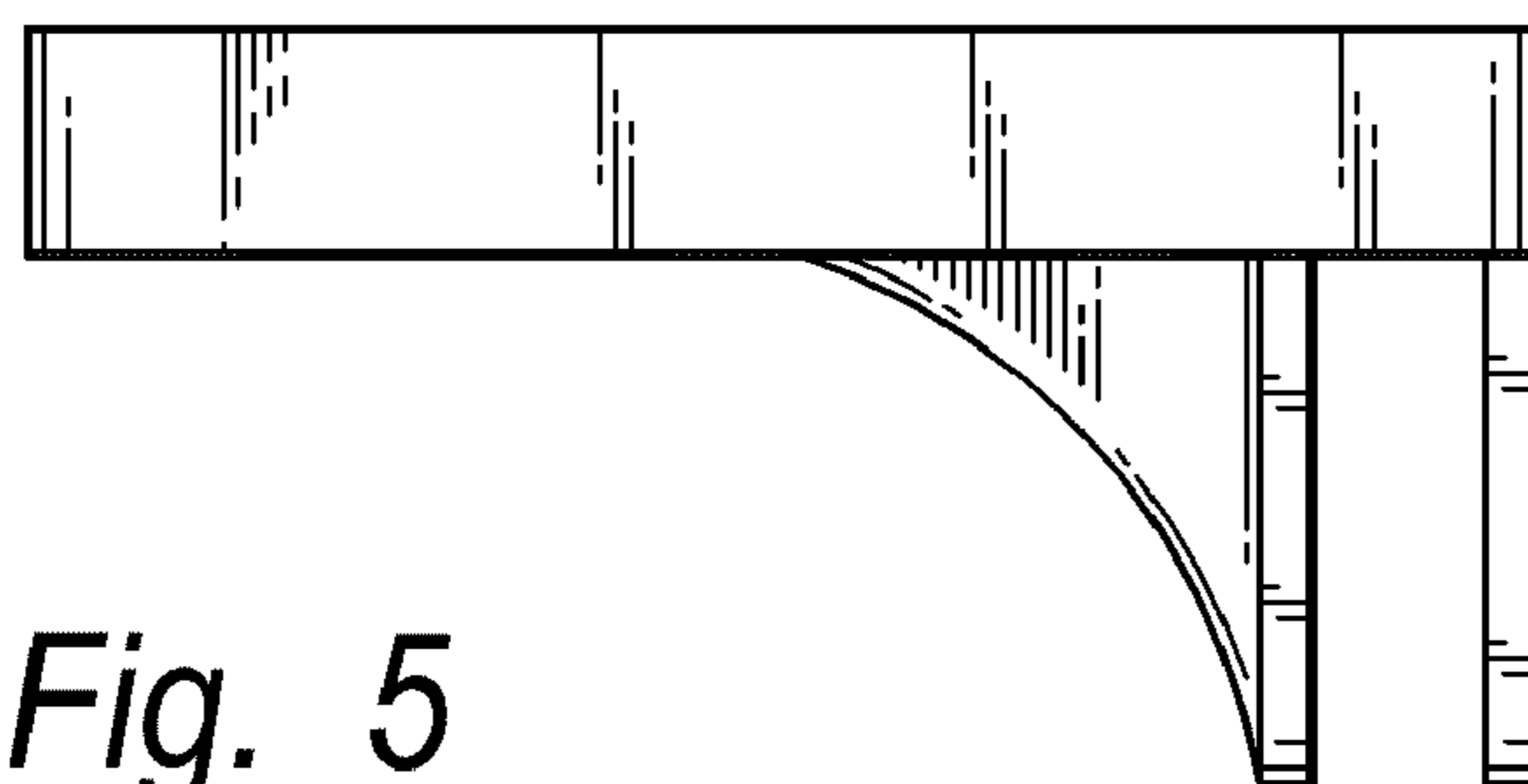
*Fig. 2*



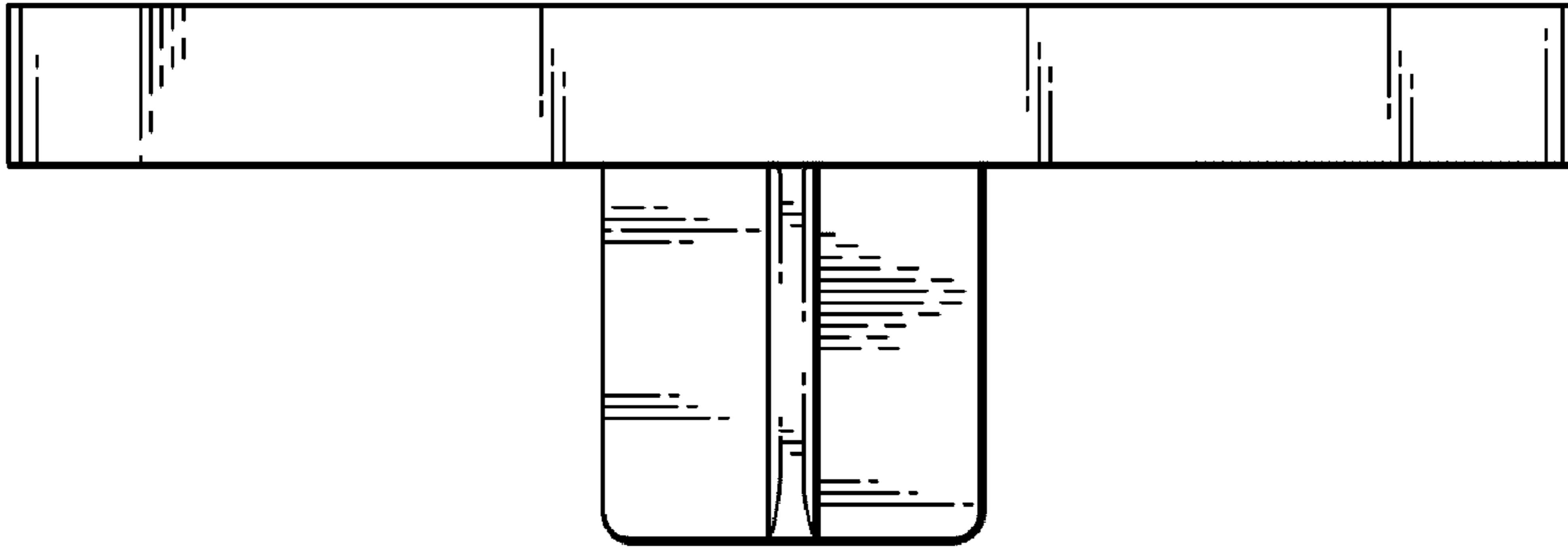
*Fig. 3*



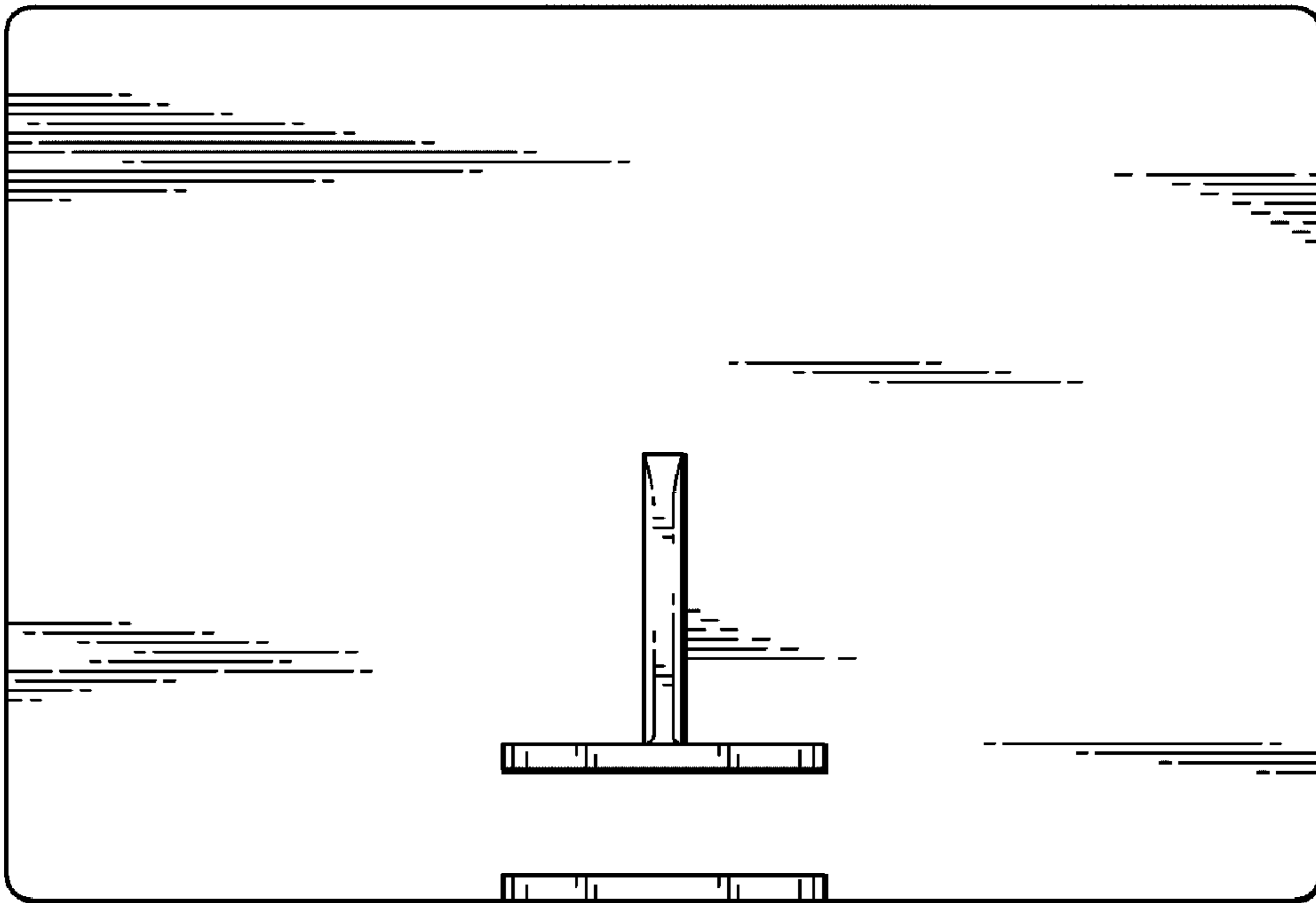
*Fig. 4*



*Fig. 5*



*Fig. 6*



*Fig. 7*