



US00D652930S

(12) **United States Design Patent**
Okamoto et al.

(10) **Patent No.:** **US D652,930 S**

(45) **Date of Patent:** **** Jan. 24, 2012**

(54) **CONSTANT-TEMPERATURE INCUBATOR**

(75) Inventors: **Yasutoshi Okamoto**, Moriguchi (JP);
Fumio Yamada, Moriguchi (JP);
Akihiro Mochizuki, Moriguchi (JP)

(73) Assignee: **Sanyo Electric Co., Ltd.**, Moriguchi,
Osaka (JP)

(**) Term: **14 Years**

(21) Appl. No.: **29/368,450**

(22) Filed: **Aug. 24, 2010**

(30) **Foreign Application Priority Data**

Feb. 25, 2010 (JP) 2010-004394

(51) **LOC (9) Cl.** **24-01**

(52) **U.S. Cl.** **D24/163**

(58) **Field of Classification Search** D24/163,
D24/164, 165, 169, 216, 231, 232, 201, 202;
D10/50, 52; 600/21, 22; 119/311; 128/202.12,
128/205.26; 435/286.6, 303.1; D15/81;
236/3, 4; 237/3, 14

See application file for complete search history.

(56) **References Cited**

U.S. PATENT DOCUMENTS

D319,102	S	*	8/1991	Futatsuka et al.	D24/163
D328,352	S	*	7/1992	Futatsuka	D24/232
D387,164	S	*	12/1997	Barnett et al.	D24/163
D404,488	S	*	1/1999	Raimann	D24/163
D587,144	S	*	2/2009	Okamoto et al.	D10/50
D596,962	S	*	7/2009	Okamoto et al.	D10/50
2009/0221064	A1	*	9/2009	Osawa et al.	435/303.1

* cited by examiner

Primary Examiner — Anhdao Doan

(74) *Attorney, Agent, or Firm* — Weingarten, Schurgin,
Gagnebin & Lebovici LLP

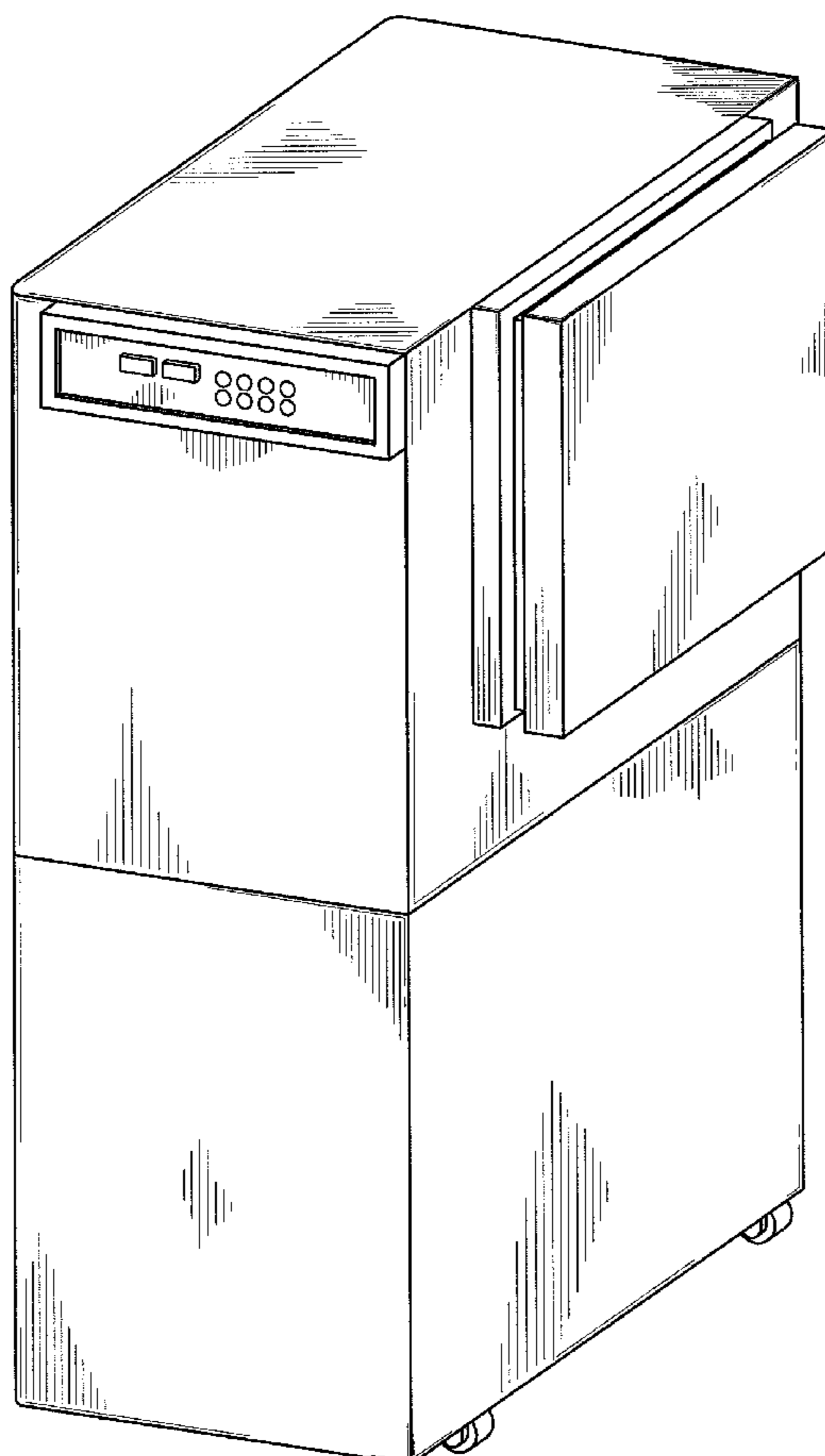
(57) **CLAIM**

The ornamental design for a constant-temperature incubator,
as shown.

DESCRIPTION

FIG. 1 is a front view of constant-temperature incubator;
FIG. 2 is a rear view thereof;
FIG. 3 is a top view thereof;
FIG. 4 is a bottom view thereof;
FIG. 5 is a right-side view thereof;
FIG. 6 is a left-side view thereof; and,
FIG. 7 is a top, front and right-side perspective view thereof.

1 Claim, 6 Drawing Sheets



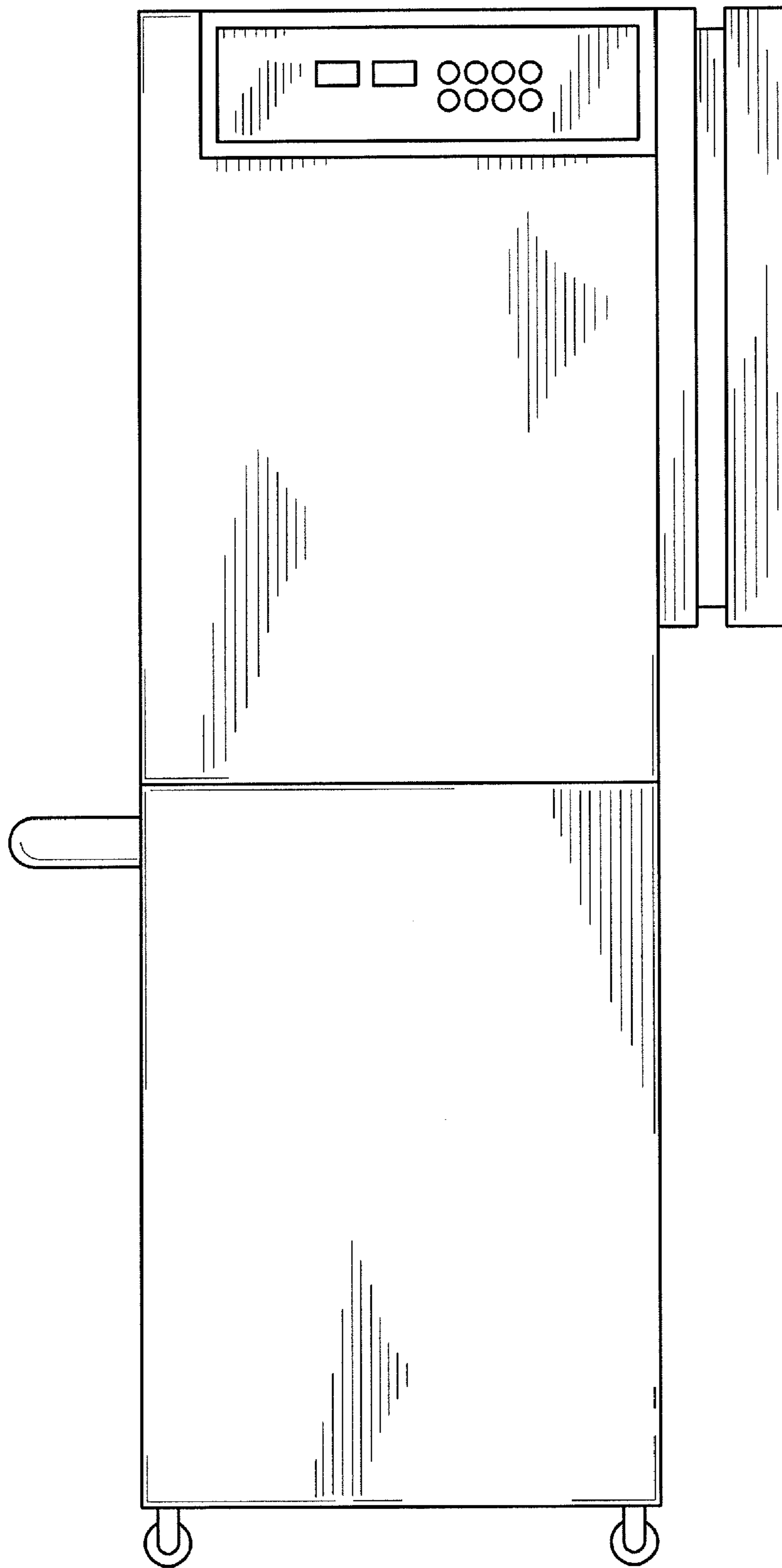


FIG. 1

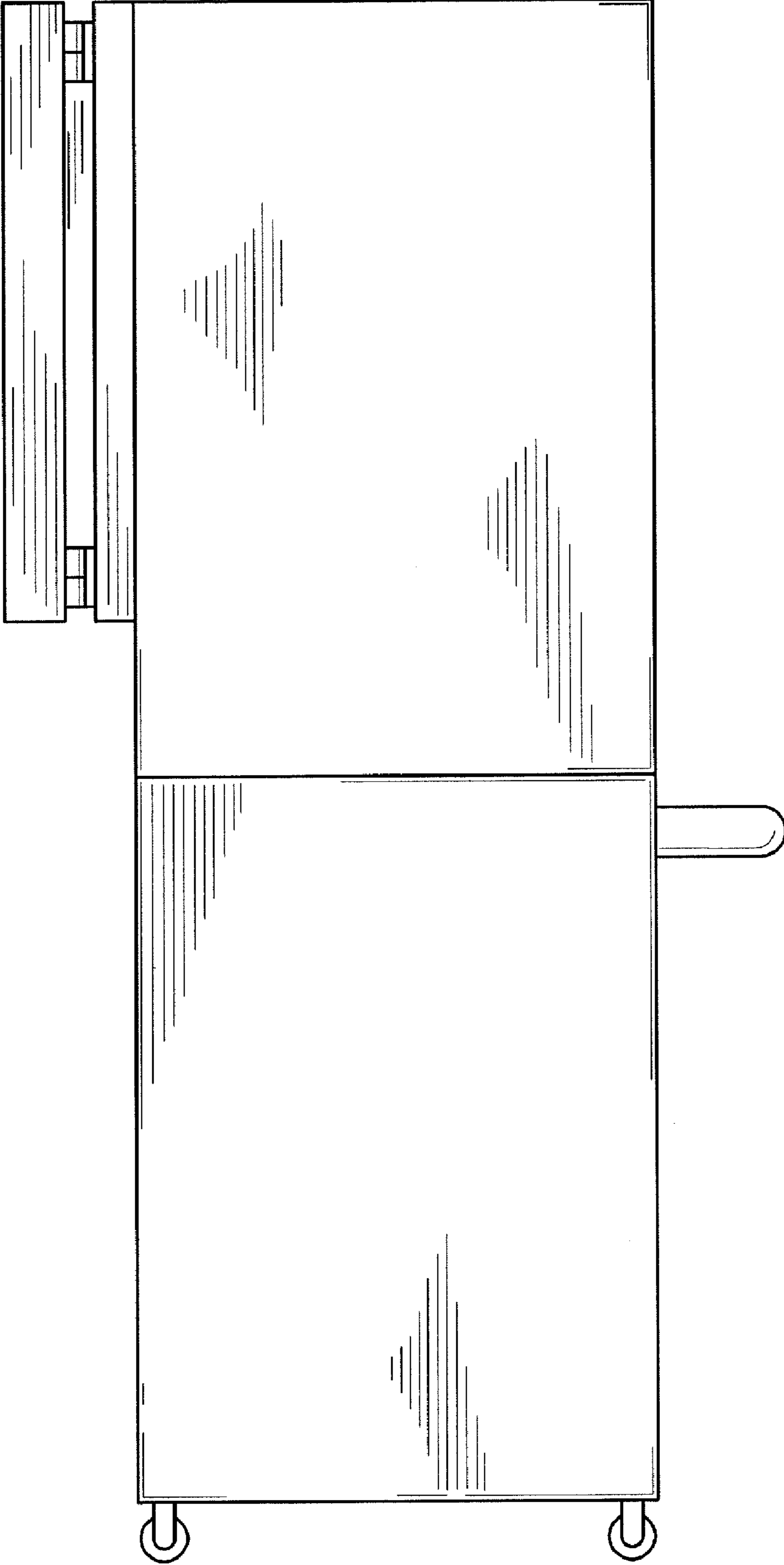


FIG. 2

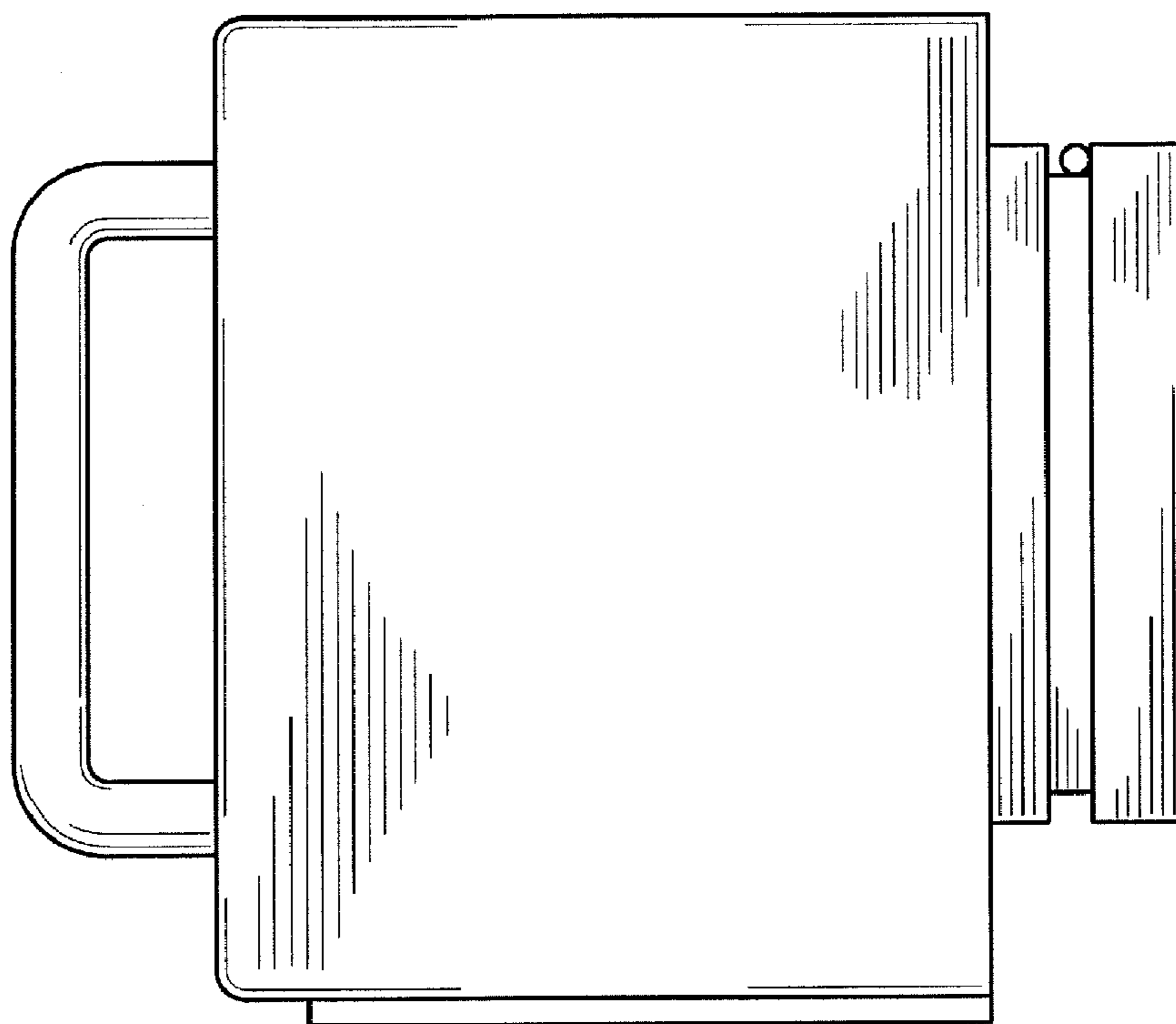


FIG. 3

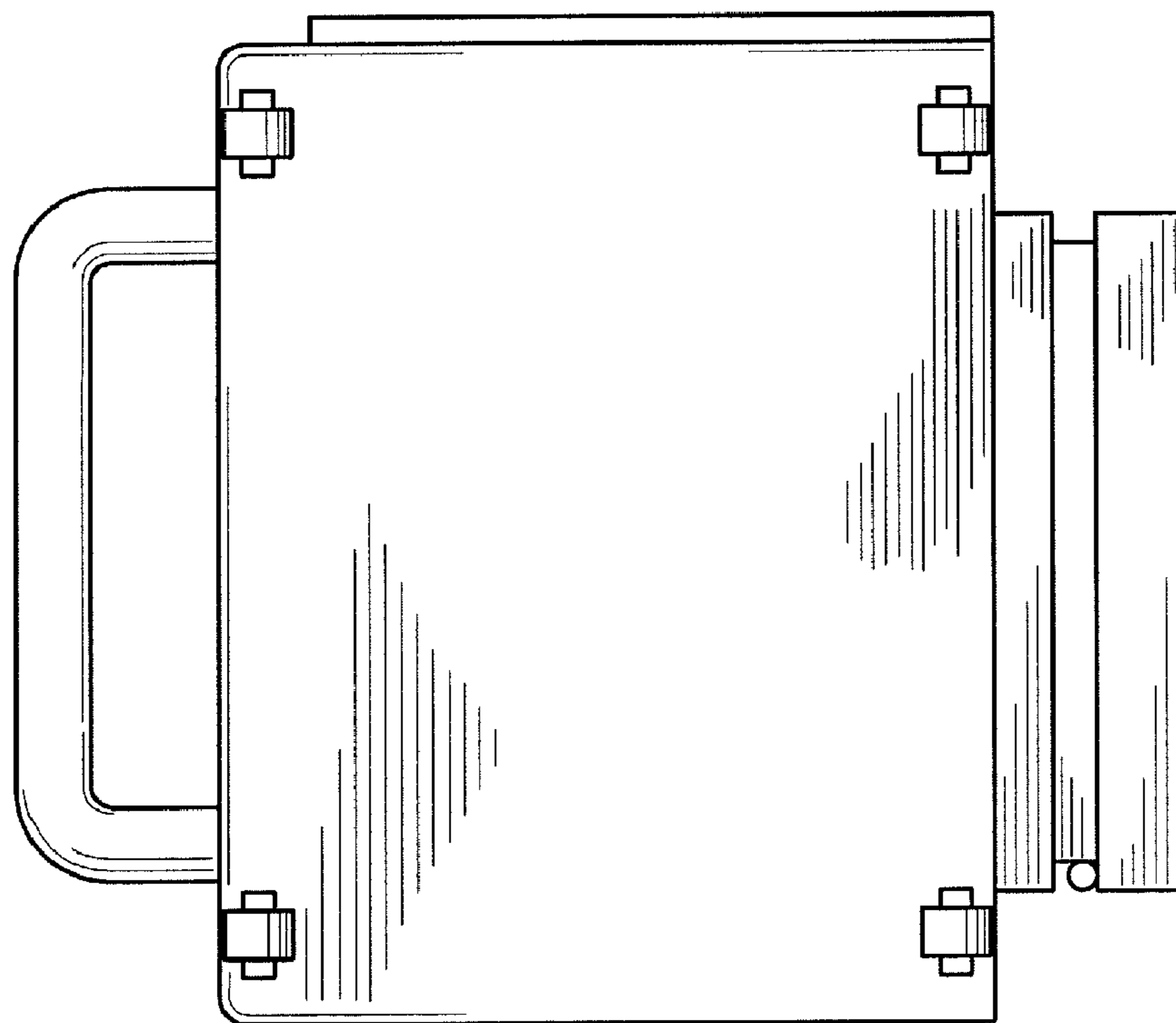


FIG. 4

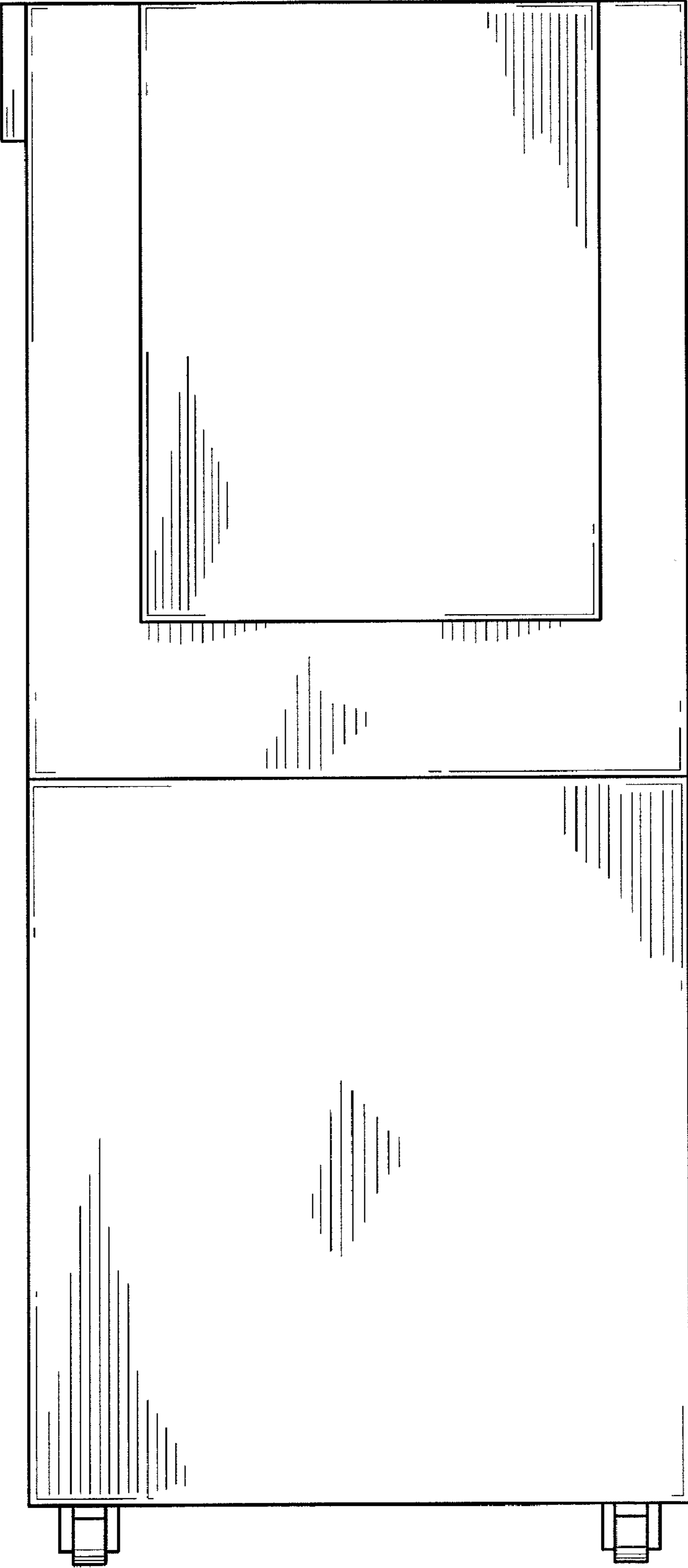


FIG. 5

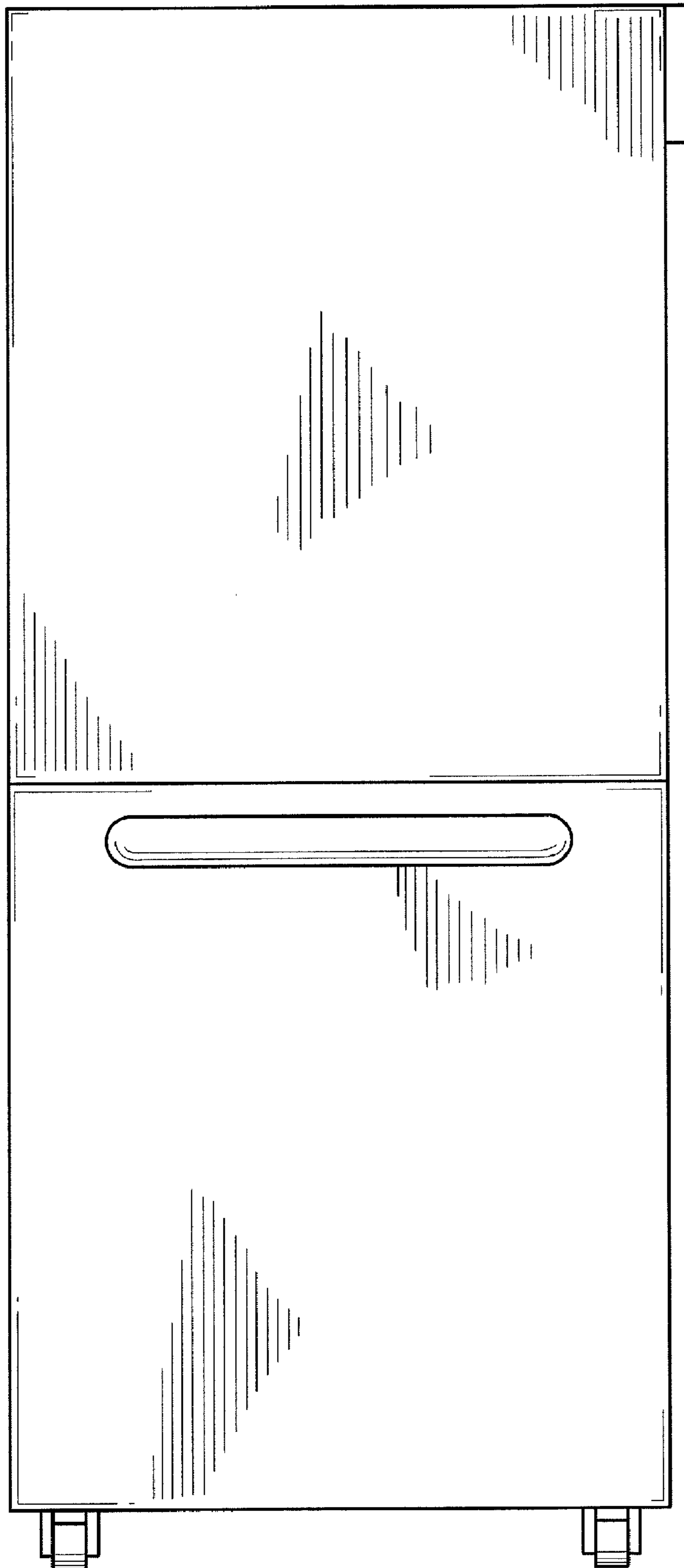


FIG. 6

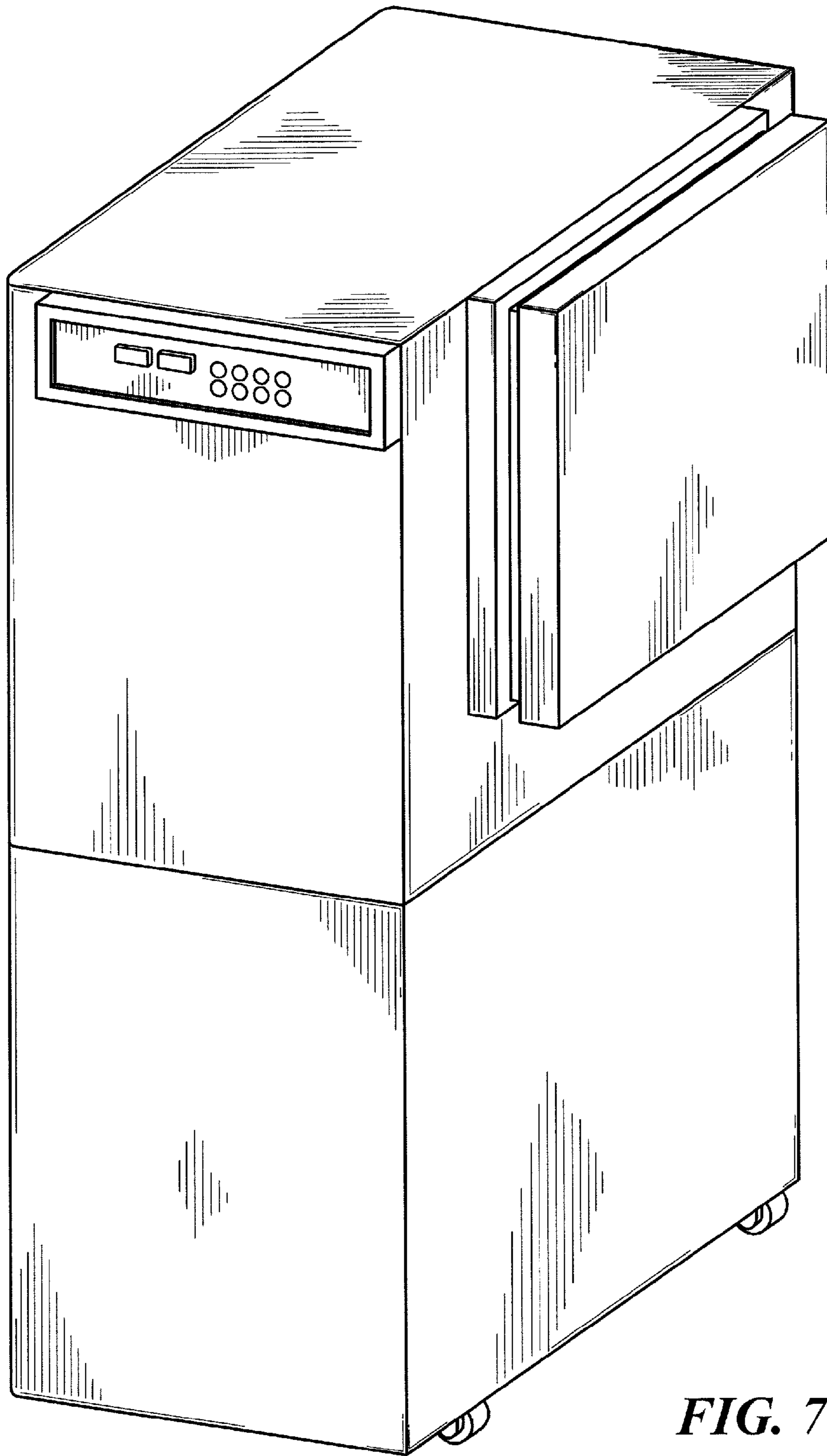


FIG. 7