



US00D652923S

(12) **United States Design Patent**
Kennedy et al.

(10) **Patent No.:** **US D652,923 S**

(45) **Date of Patent:** **** Jan. 24, 2012**

(54) **ENDOSCOPE**

(75) Inventors: **John Kennedy**, Lowell, MA (US);
Douglas Sjostrom, Tewksbury, MA
(US); **Dennis Arsenault**, Ashland, MA
(US)

(73) Assignee: **Viking Systems, Inc.**, Westborough, MA
(US)

(**) Term: **14 Years**

(21) Appl. No.: **29/376,077**

(22) Filed: **Oct. 1, 2010**

(51) **LOC (9) Cl.** **24-02**

(52) **U.S. Cl.** **D24/138**

(58) **Field of Classification Search** D24/138,
D24/137, 133; 600/131, 132, 145-147, 175,
600/176

See application file for complete search history.

(56) **References Cited**

U.S. PATENT DOCUMENTS

5,158,543	A *	10/1992	Lazarus	604/164.1
5,527,263	A *	6/1996	Zobel et al.	600/166
6,342,066	B1 *	1/2002	Toro et al.	623/1.11
7,776,080	B2 *	8/2010	Bei et al.	623/1.11

2004/0210108	A1 *	10/2004	Shimizu et al.	600/112
2009/0076323	A1 *	3/2009	Smith et al.	600/114
2010/0048994	A1 *	2/2010	Okoniewski	600/109

* cited by examiner

Primary Examiner — Bridget L Eland

(74) *Attorney, Agent, or Firm* — Pandiscio & Pandiscio

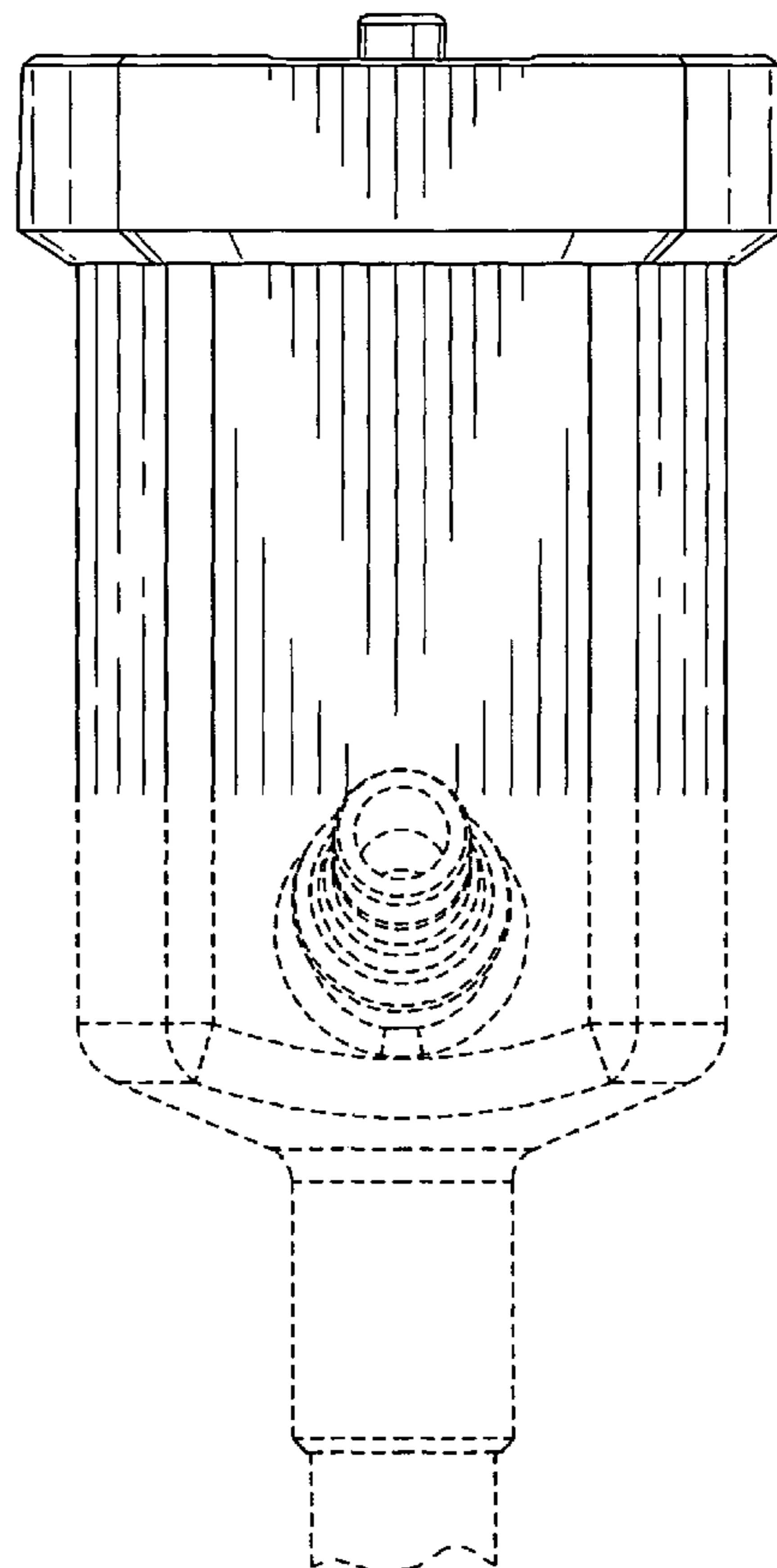
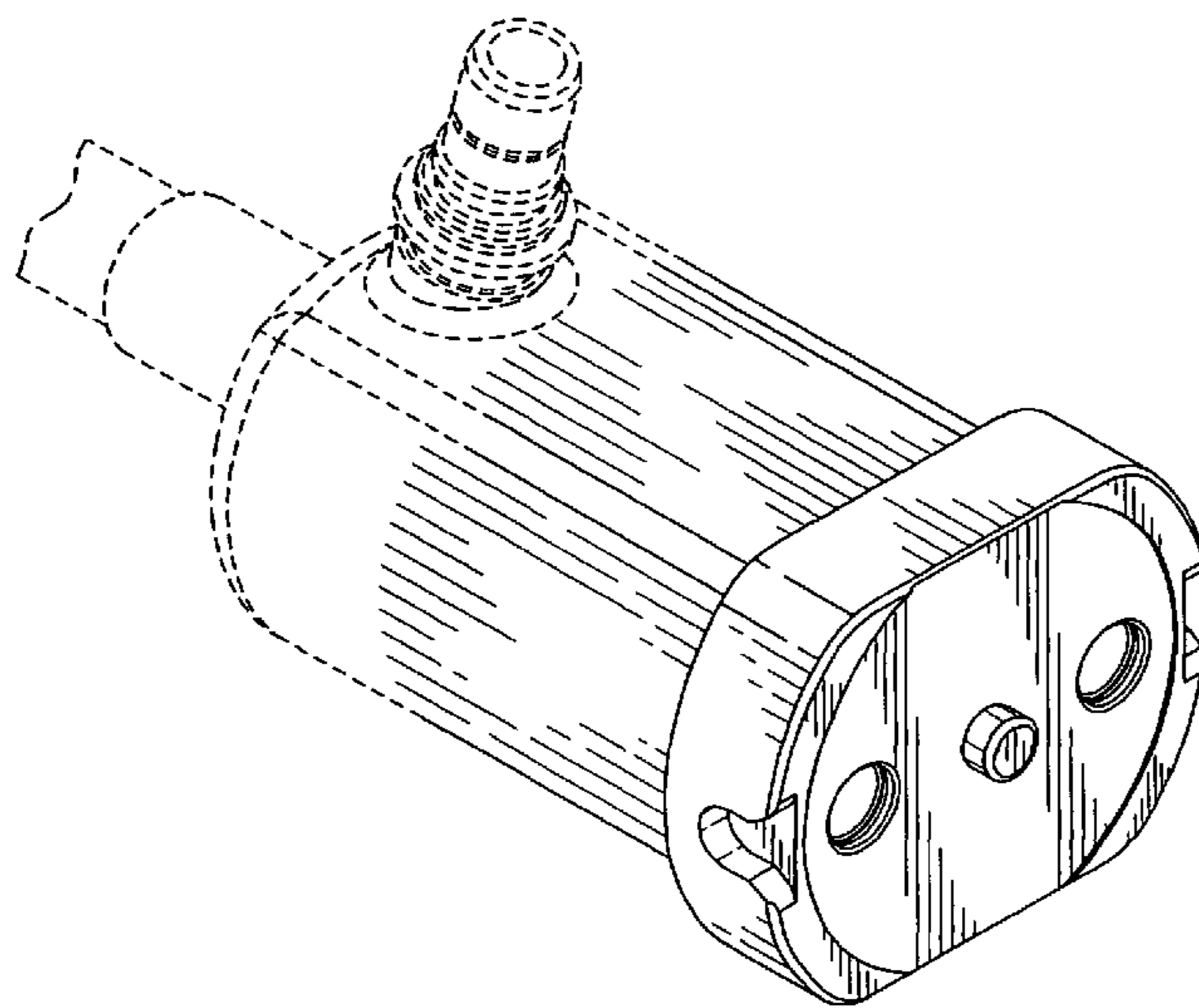
(57) **CLAIM**

The ornamental design for an endoscope, as shown and described.

DESCRIPTION

FIG. 1 is a front perspective view of the endoscope; FIG. 2 is a rear perspective view of the endoscope; FIG. 3 is a front view of the endoscope; FIG. 4 is a rear view of the endoscope; FIG. 5 is a top end view of the endoscope; FIG. 6 is a bottom end view of the endoscope; FIG. 7 is a left side view, in elevation, of the endoscope; and, FIG. 8 is a right side view, in elevation, of the endoscope. The broken lines immediately adjacent the shaded areas represent the bounds of the claimed design while all other broken lines are directed to environment and are for illustrative purposes only; the broken lines form no part of the claimed design.

1 Claim, 8 Drawing Sheets



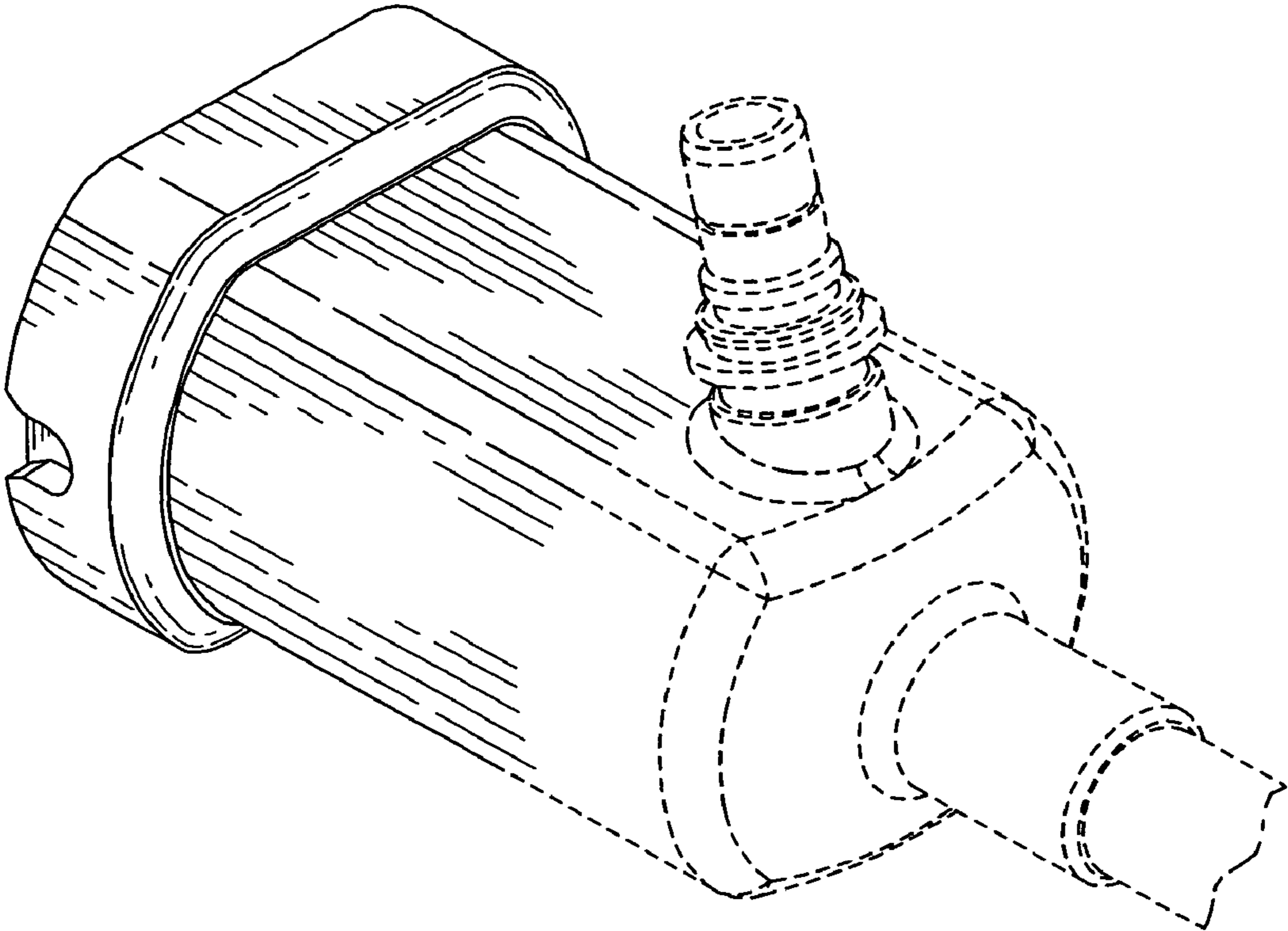


FIG. 1

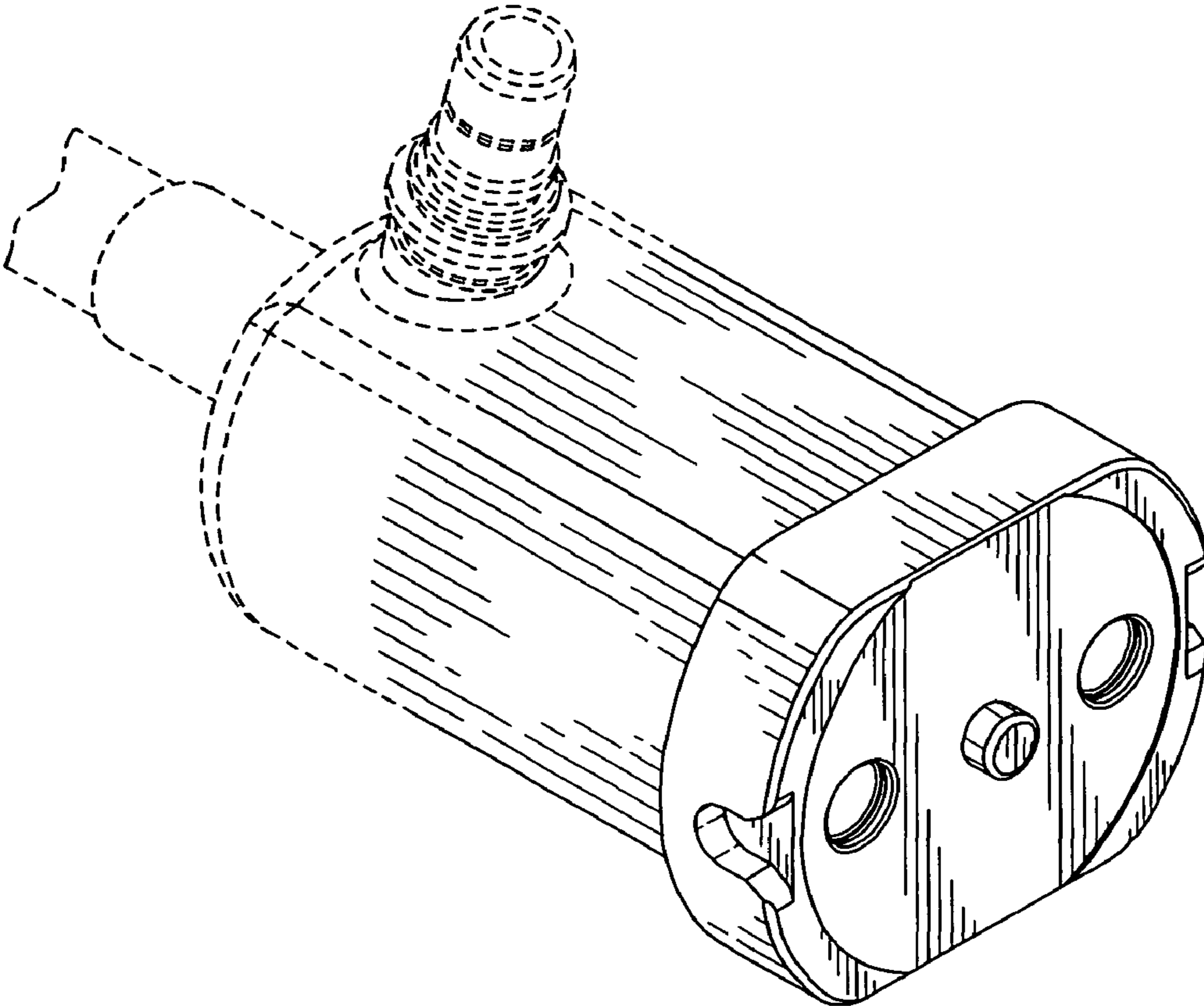


FIG. 2

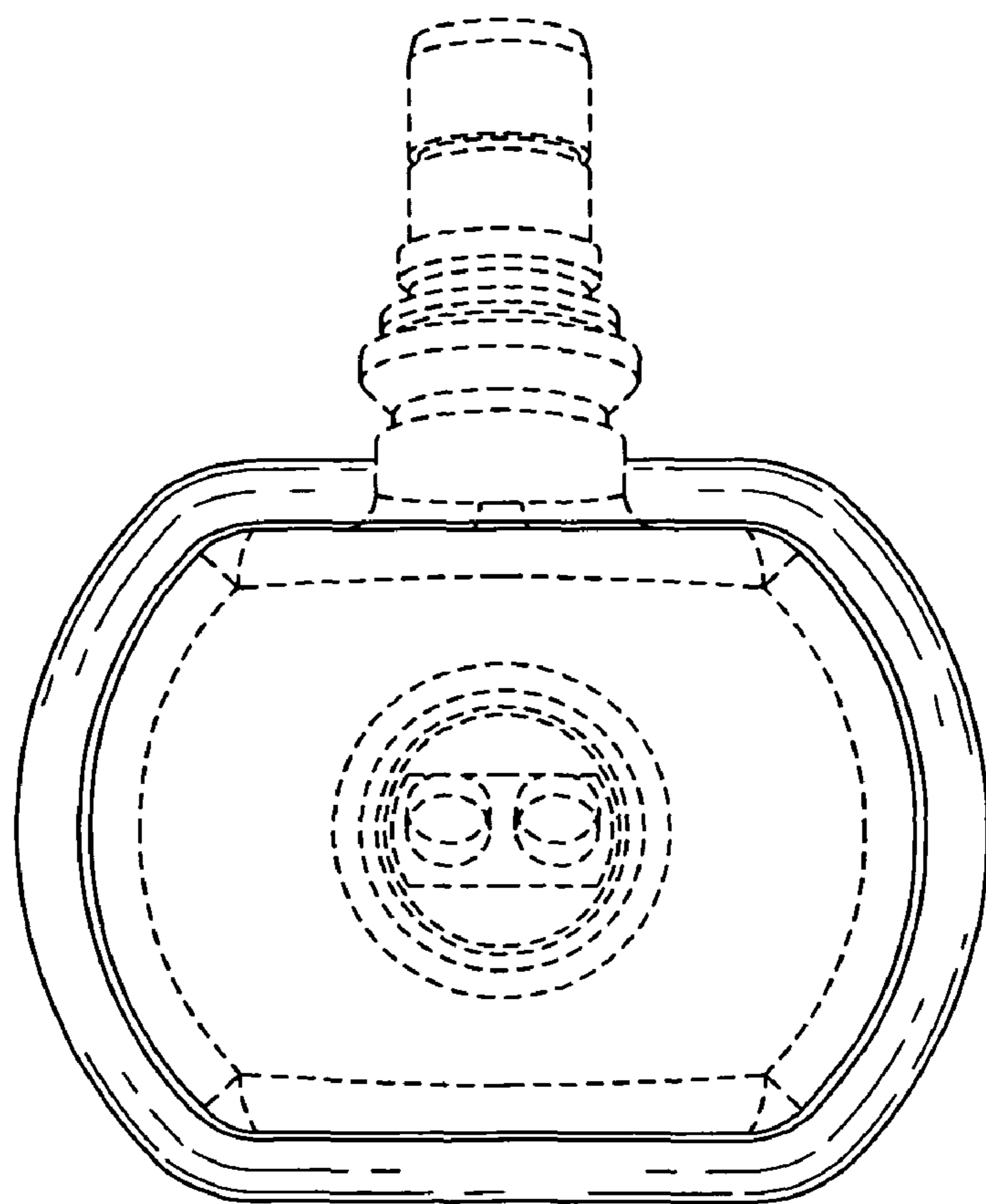


FIG. 3

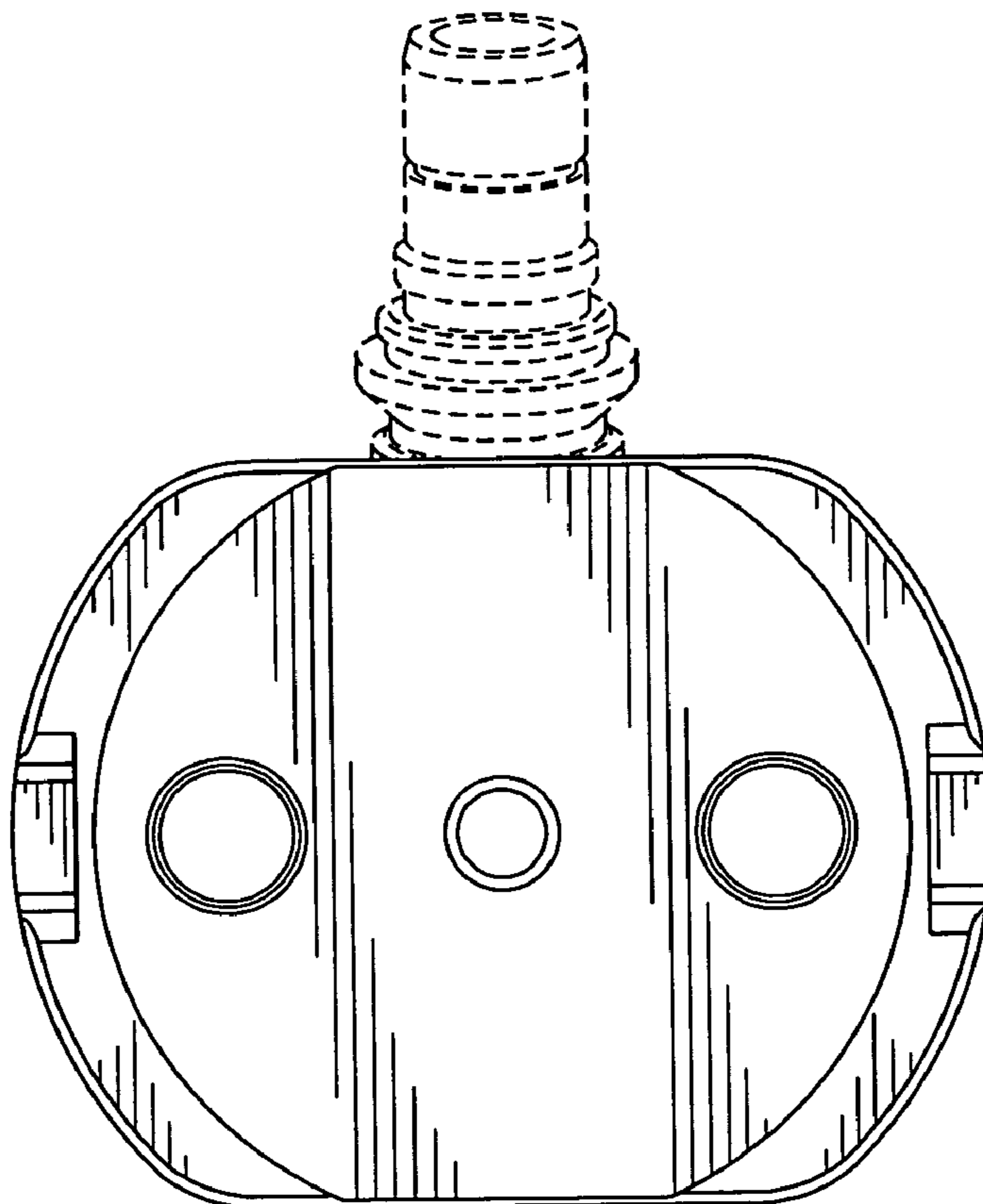


FIG. 4

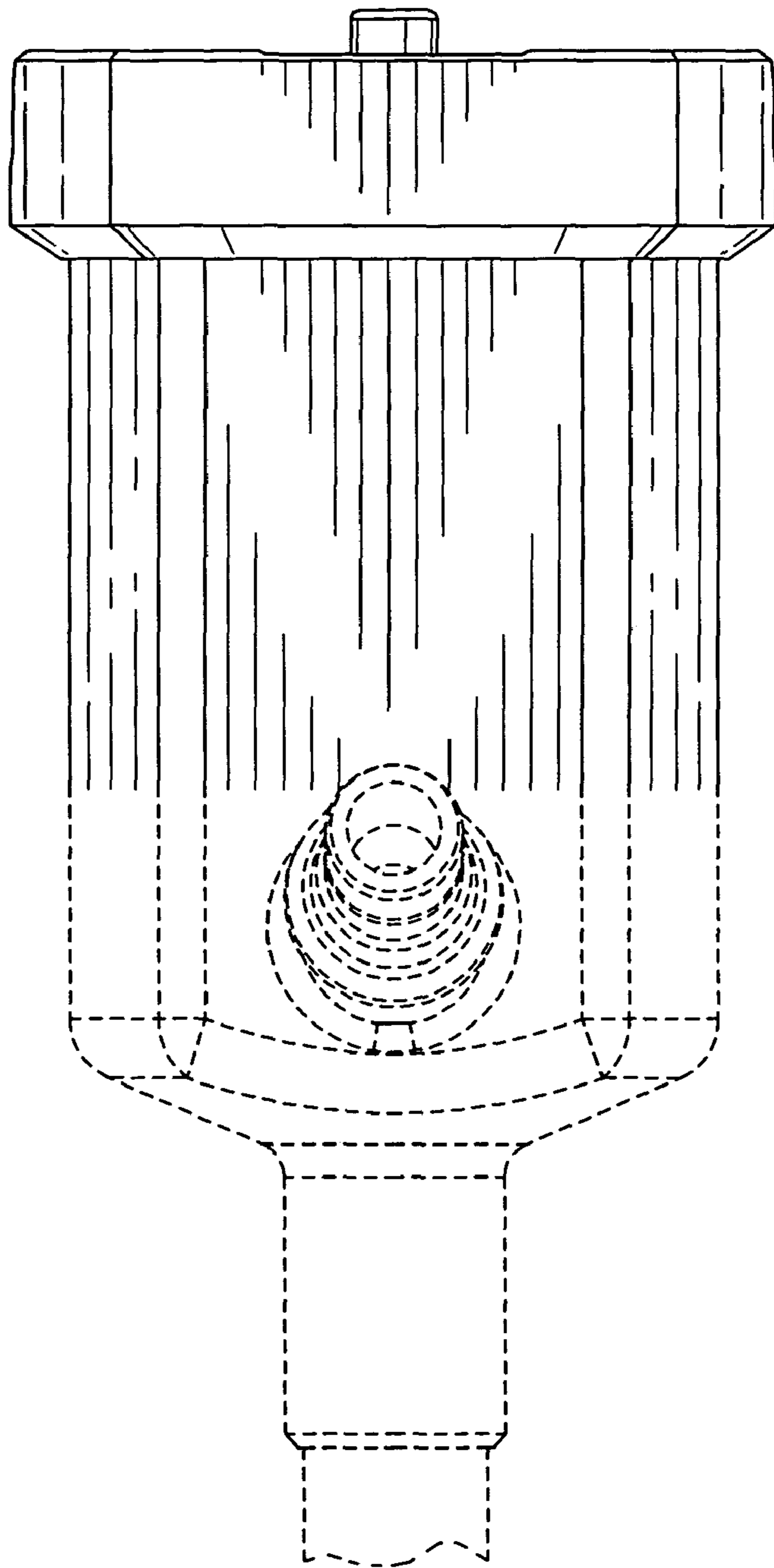


FIG. 5

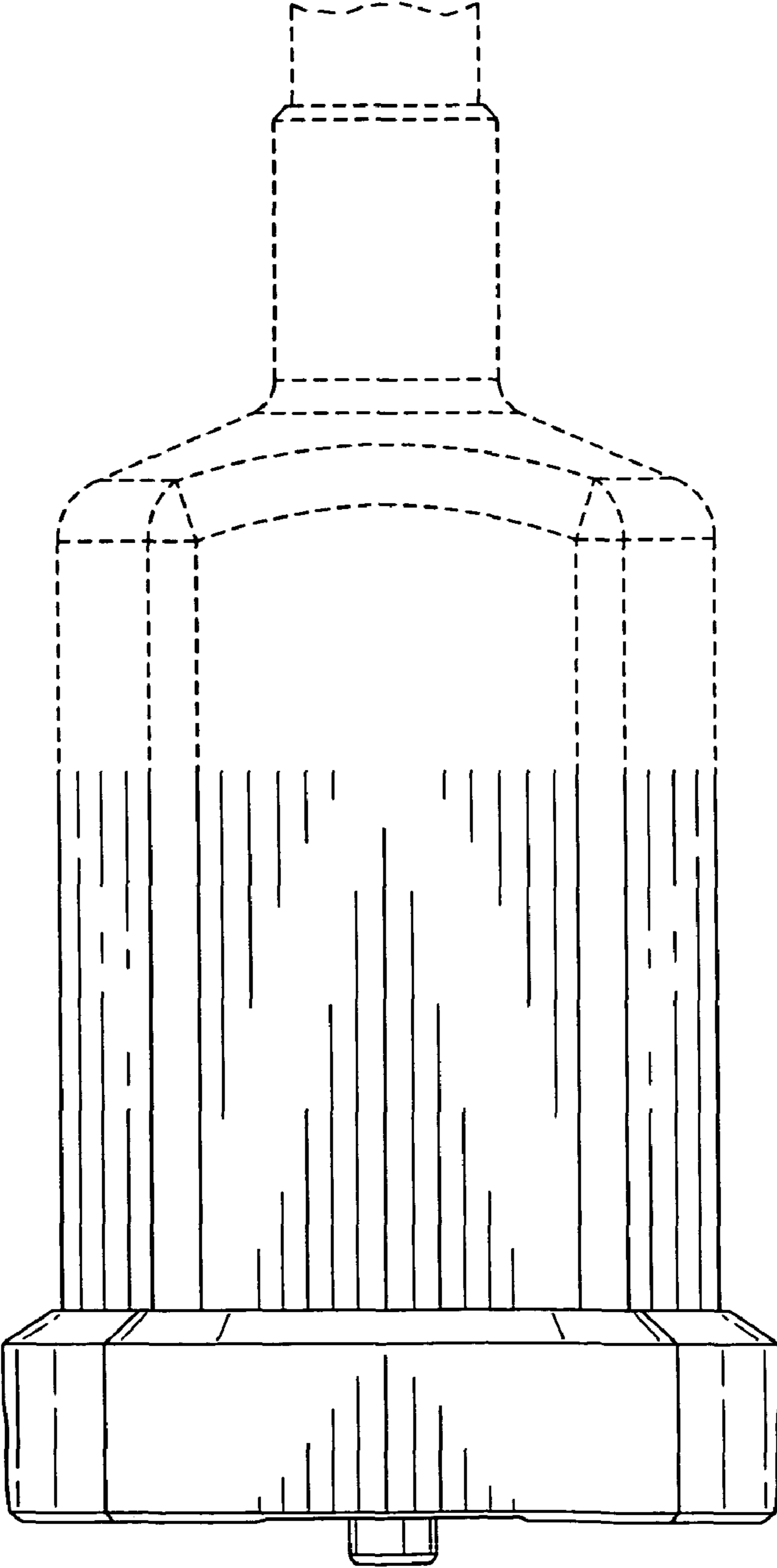


FIG. 6

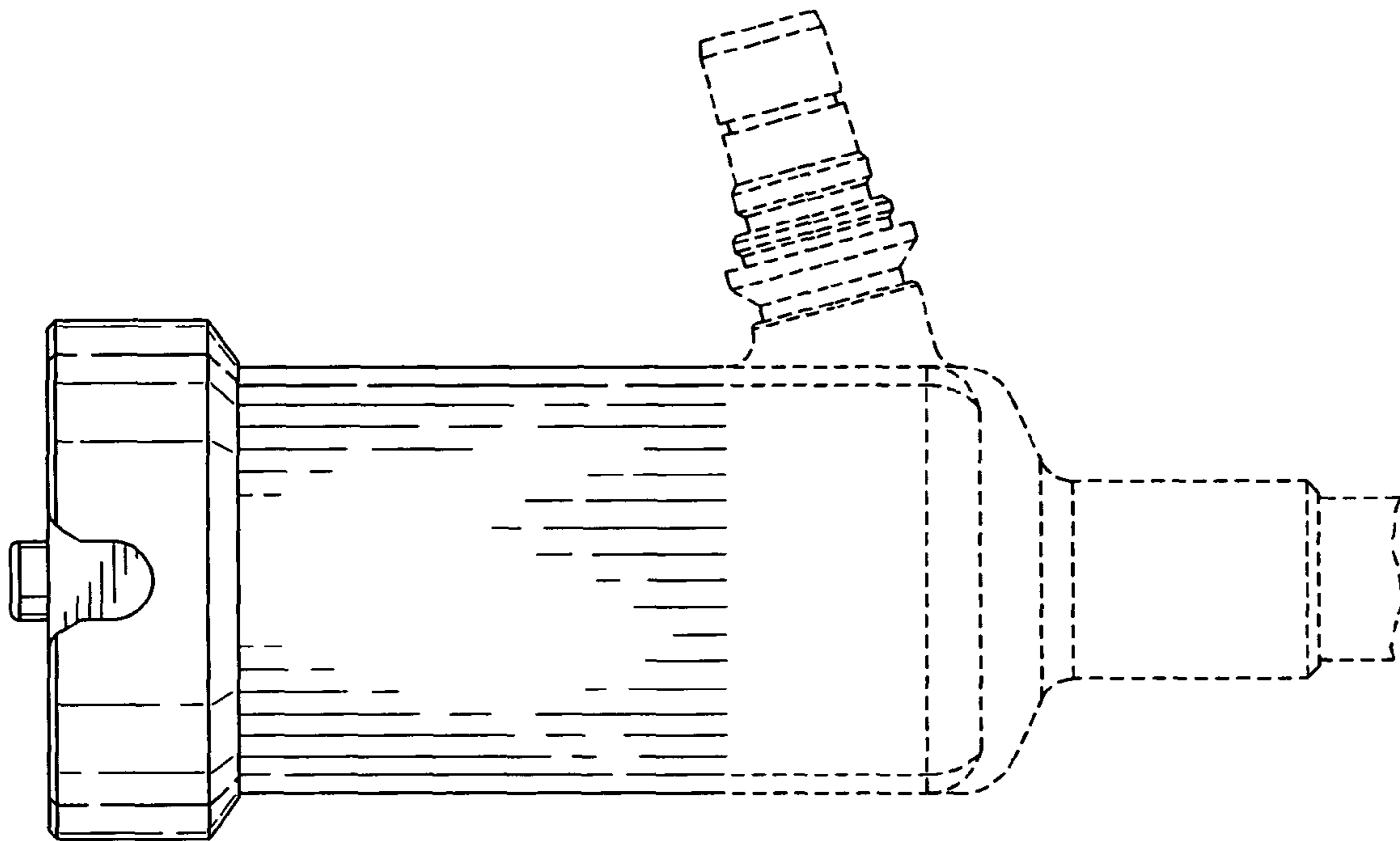


FIG. 7

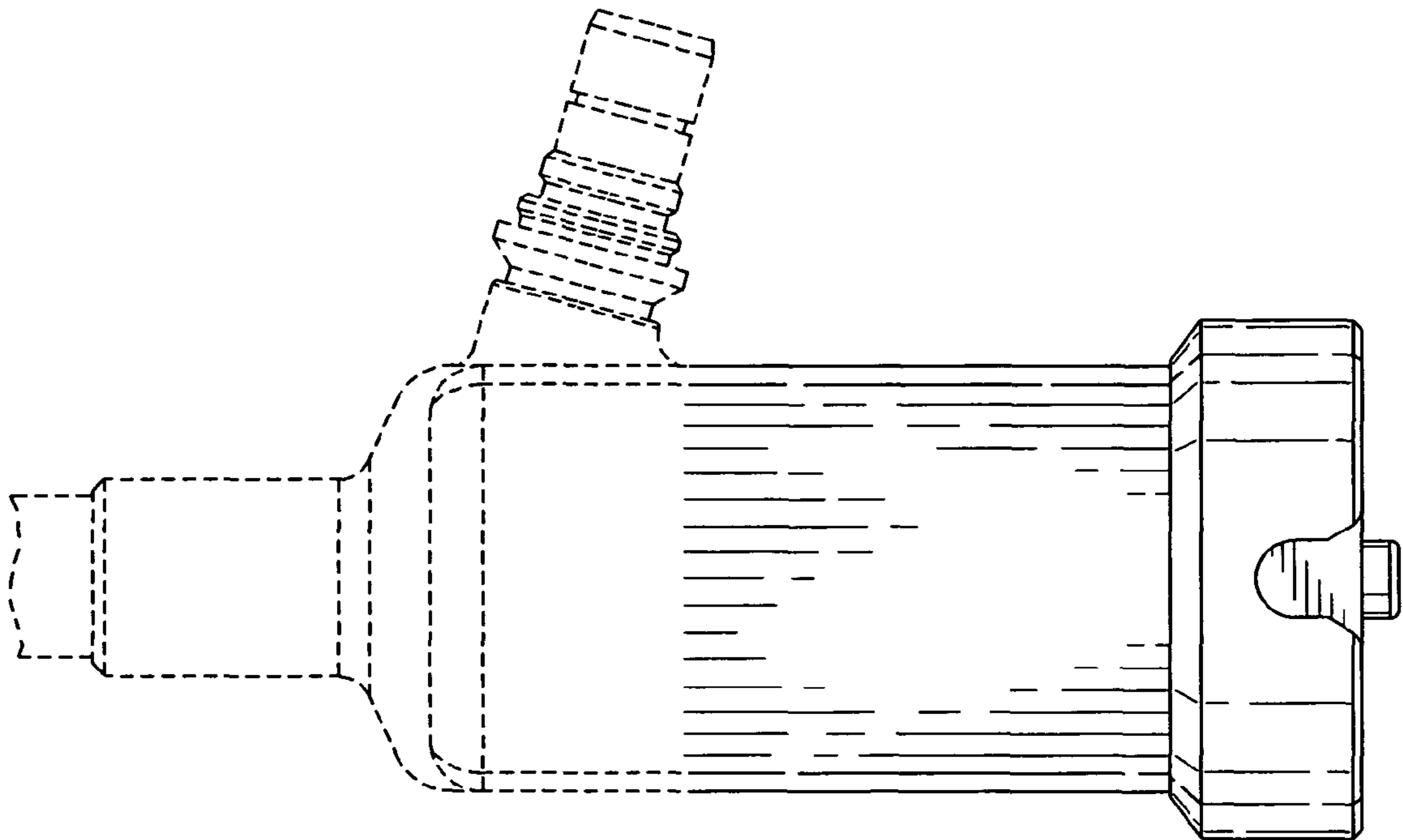


FIG. 8