



US00D652922S

(12) **United States Design Patent**
Miles et al.

(10) **Patent No.:** **US D652,922 S**
(45) **Date of Patent:** **** Jan. 24, 2012**

- (54) **DILATOR**
- (75) Inventors: **Patrick Miles**, San Diego, CA (US);
Scot Martinelli, Mountain Top, PA (US); **Eric Finley**, Poway, CA (US)
- (73) Assignee: **NuVasive, Inc.**, San Diego, CA (US)
- (**) Term: **14 Years**
- (21) Appl. No.: **29/360,369**
- (22) Filed: **Apr. 23, 2010**

5,331,975 A	7/1994	Bonutti	
5,342,384 A	8/1994	Sugarbaker	
5,378,241 A	1/1995	Haindl	
5,395,317 A	3/1995	Kambin	
5,509,893 A	4/1996	Pracas	
5,514,153 A	5/1996	Bonutti	
5,599,279 A	2/1997	Slotman	
5,707,359 A	1/1998	Bufalini	
5,762,629 A	6/1998	Kambin	
5,792,044 A	8/1998	Foley	
5,814,073 A	9/1998	Bonutti	
5,817,071 A	10/1998	Dewindt	
5,888,196 A	3/1999	Bonutti	
5,902,231 A	5/1999	Foley	
5,976,146 A	11/1999	Ogawa	
6,007,487 A	12/1999	Foley	
6,010,520 A *	1/2000	Pattison	606/191

Related U.S. Application Data

- (63) Continuation of application No. 12/428,081, filed on Apr. 22, 2009, which is a continuation of application No. 10/608,362, filed on Jun. 26, 2003, now Pat. No. 7,582,058.
- (51) **LOC (9) Cl.** **24-02**
- (52) **U.S. Cl.** **D24/135**
- (58) **Field of Classification Search** D24/135, D24/112, 130, 133, 140, 147, 149; 600/200, 600/202, 184, 220-227, 201, 203, 210-218; 606/191-200, 201-202
See application file for complete search history.

Primary Examiner — Bridget L Eland

(74) *Attorney, Agent, or Firm* — Jonathan Spangler; Rory Schermerhorn; Saidman DesignLaw Group, LLC

(56) **References Cited**

U.S. PATENT DOCUMENTS

208,227 A	9/1878	Dorr	
972,983 A	10/1910	Arthur	
1,328,624 A	1/1920	Graham	
3,803,716 A *	4/1974	Garnier	433/129
3,888,004 A *	6/1975	Coleman	30/277.4
4,545,374 A	10/1985	Jacobson	
4,573,448 A	3/1986	Kambin	
D295,445 S *	4/1988	Freeman	D24/135
5,007,902 A	4/1991	Witt	
5,171,279 A	12/1992	Mathews	
5,295,994 A	3/1994	Bonutti	
5,312,417 A	5/1994	Wilk	

(57) **CLAIM**

The ornamental design for a dilator, as shown and described.

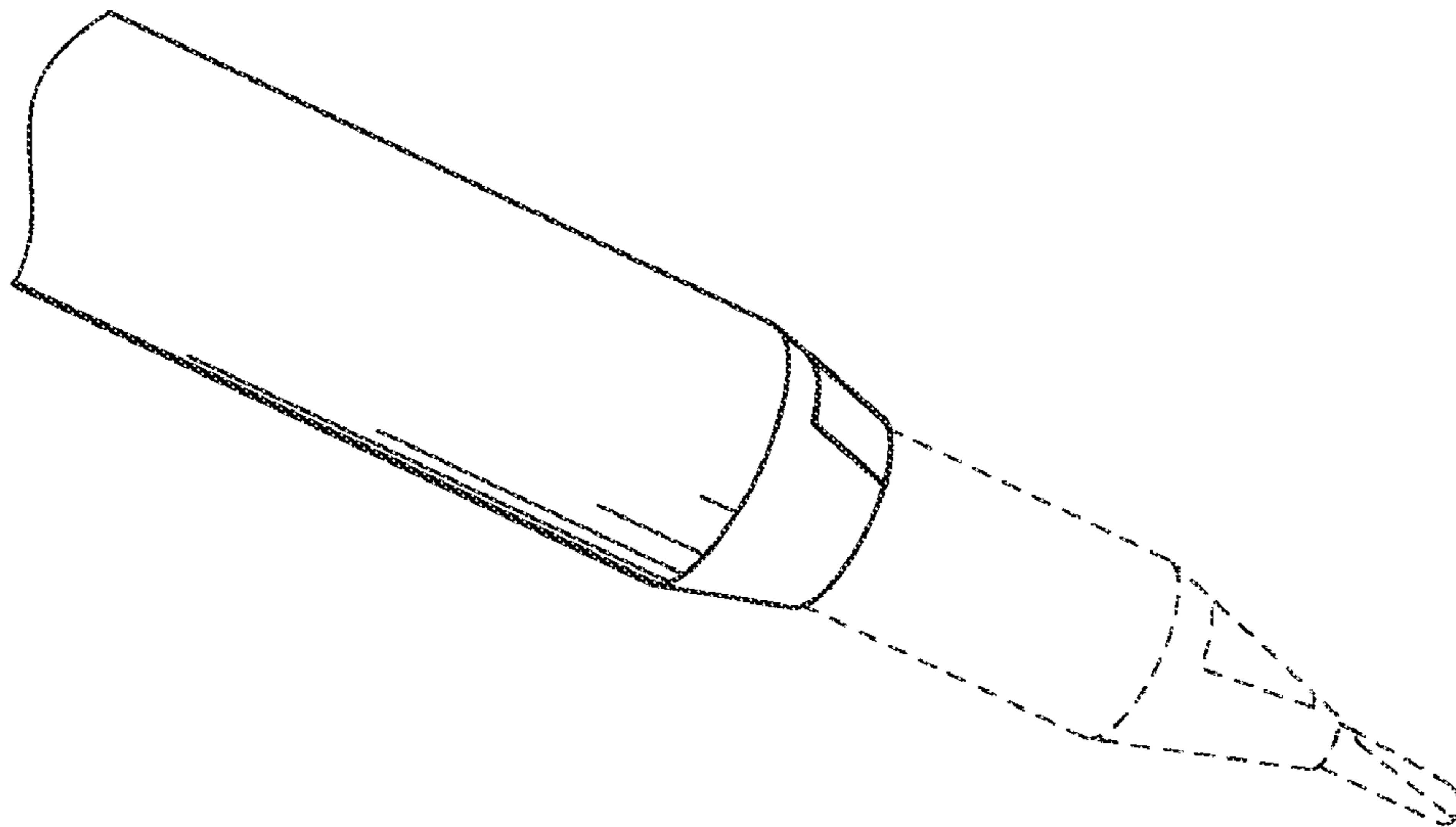
DESCRIPTION

The sole FIGURE is a perspective view of a dilator showing our new design.

The broken lines illustrate part of the distal portion that forms no part of the claimed design. The dilator is circular as seen from the end. The break line is shown at the wide end to indicate that only the distal portion of the dilator is illustrated. Only one view of the article is shown in the drawing or described in the specification. It is understood that the appearance of any part of the article not shown in the drawing or described in the specification forms no part of the claimed design.

Therefore, the determination of patentability is based on the design for the article shown and described.

1 Claim, 1 Drawing Sheet



US D652,922 S

Page 2

U.S. PATENT DOCUMENTS								
6,146,371	A	11/2000	DeWindt	7,008,431	B2	3/2006	Simonson	
6,152,871	A	11/2000	Foley	7,074,226	B2	7/2006	Roehm	
6,161,047	A	12/2000	King	7,083,625	B2	8/2006	Berry	
6,206,826	B1	3/2001	Mathews	7,198,598	B2	4/2007	Smith	
6,217,509	B1	4/2001	Foley	7,207,949	B2	4/2007	Miles	
6,217,527	B1	4/2001	Selmon	7,226,451	B2	6/2007	Shluzas	
6,221,049	B1	4/2001	Selmon	7,276,055	B2	10/2007	DeWindt	
6,231,546	B1	5/2001	Milo	7,311,719	B2	12/2007	Bonutti	
6,270,505	B1	8/2001	Yoshida	7,470,236	B1	12/2008	Kelleher	
6,292,701	B1	9/2001	Prass	7,582,058	B1 *	9/2009	Miles et al.	600/202
6,325,764	B1	12/2001	Griffith	D605,760	S *	12/2009	George et al.	D24/135
6,395,007	B1	5/2002	Bhatnagar	2001/0056280	A1	12/2001	Underwood	
6,425,859	B1	7/2002	Foley	2002/0010392	A1	1/2002	Desai	
6,447,484	B1	9/2002	Briscoe	2003/0139648	A1	7/2003	Foley	
6,514,217	B1	2/2003	Selmon	2004/0181231	A1	9/2004	Emstad	
6,520,907	B1	2/2003	Foley	2005/0004593	A1	1/2005	Simonson	
6,535,759	B1	3/2003	Epstein	2005/0070949	A1 *	3/2005	Bakos et al.	606/191
6,564,078	B1	5/2003	Marino	2005/0125021	A1 *	6/2005	Nance et al.	606/192
6,641,613	B2	11/2003	Sennett	2006/0052669	A1	3/2006	Hart	
6,645,194	B2	11/2003	Briscoe	2006/0052828	A1	3/2006	Kim	
6,679,833	B2	1/2004	Smith	2007/0083161	A1	4/2007	Briscoe	
6,719,692	B2	4/2004	Kleffner	2007/0129747	A1 *	6/2007	Dorman	606/191
6,847,849	B2	1/2005	Mamo	2009/0259108	A1 *	10/2009	Miles et al.	600/202
6,855,105	B2	2/2005	Jackson	2010/0094093	A1 *	4/2010	Miles et al.	600/202
6,916,330	B2	7/2005	Simonson	2010/0105986	A1 *	4/2010	Miles et al.	600/214
6,926,728	B2	8/2005	Zucherman	2010/0113884	A1 *	5/2010	Miles et al.	600/210
6,929,606	B2	8/2005	Ritland					

* cited by examiner

