



US00D652917S

(12) **United States Design Patent**
Hill et al.

(10) **Patent No.:** **US D652,917 S**
(45) **Date of Patent:** **** Jan. 24, 2012**

(54) **CUFF FOR AIR DELIVERY TUBE**
(75) Inventors: **Phoebe Katherine Hill**, Roseville (AU);
Nathan John Row, Lane Cove (AU);
Nicholas Andrew Earl, Royston (GB);
Mark Bertinetti, Ermington (AU);
Alexander Virr, Mangrove Mountain (AU)

(73) Assignee: **Resmed Limited**, Bella Vista (AU)

(**) Term: **14 Years**

(21) Appl. No.: **29/371,583**

(22) Filed: **May 2, 2011**

Related U.S. Application Data

(62) Division of application No. 29/371,192, filed on Nov. 18, 2010, now Pat. No. Des. 638,933, which is a division of application No. 29/311,404, filed on Mar. 5, 2009, now Pat. No. Des. 629,892.

(51) **LOC (9) Cl.** **24-02**

(52) **U.S. Cl.** **D24/129**

(58) **Field of Classification Search** D24/107,
D24/110, 110.4, 110.5, 110.6, 127, 128, 129,
D24/164; 128/200.24, 201.22, 202.27, 203,
128/27, 204.18, 205.25, 206.15, 206.21,
128/294.17; 138/111, 121, 122; 156/143;
174/47; 285/260; 439/191, 192; 604/27
See application file for complete search history.

(56) **References Cited**

U.S. PATENT DOCUMENTS

1,746,701 A 2/1930 Kimmich
2,045,540 A 6/1936 Rodolfo
2,073,335 A 3/1937 Connell
2,516,864 A 8/1950 Gilmore
2,524,522 A * 10/1950 Gilmore et al. 138/111

2,954,802 A 10/1960 Duff
3,163,707 A 12/1964 Darling
3,224,444 A 12/1965 Dempster
3,794,080 A 2/1974 Huston et al.
3,895,850 A * 7/1975 Engle et al. 439/34
4,188,081 A * 2/1980 Holden et al. 439/192
D302,040 S 7/1989 Lambert
D360,027 S 7/1995 Psaros
5,720,504 A 2/1998 Stedman et al.
6,575,944 B1 6/2003 McNary et al.
6,923,184 B1 8/2005 Russo
6,953,354 B2 10/2005 Edirisuriya

(Continued)

FOREIGN PATENT DOCUMENTS

WO WO 2010/031126 3/2010

OTHER PUBLICATIONS

Row et al., U.S. Appl. No. 12/461,967, filed Aug. 28, 2009.

(Continued)

Primary Examiner — Karen E Eldridge Powers
(74) *Attorney, Agent, or Firm* — Nixon & Vanderhye P.C.

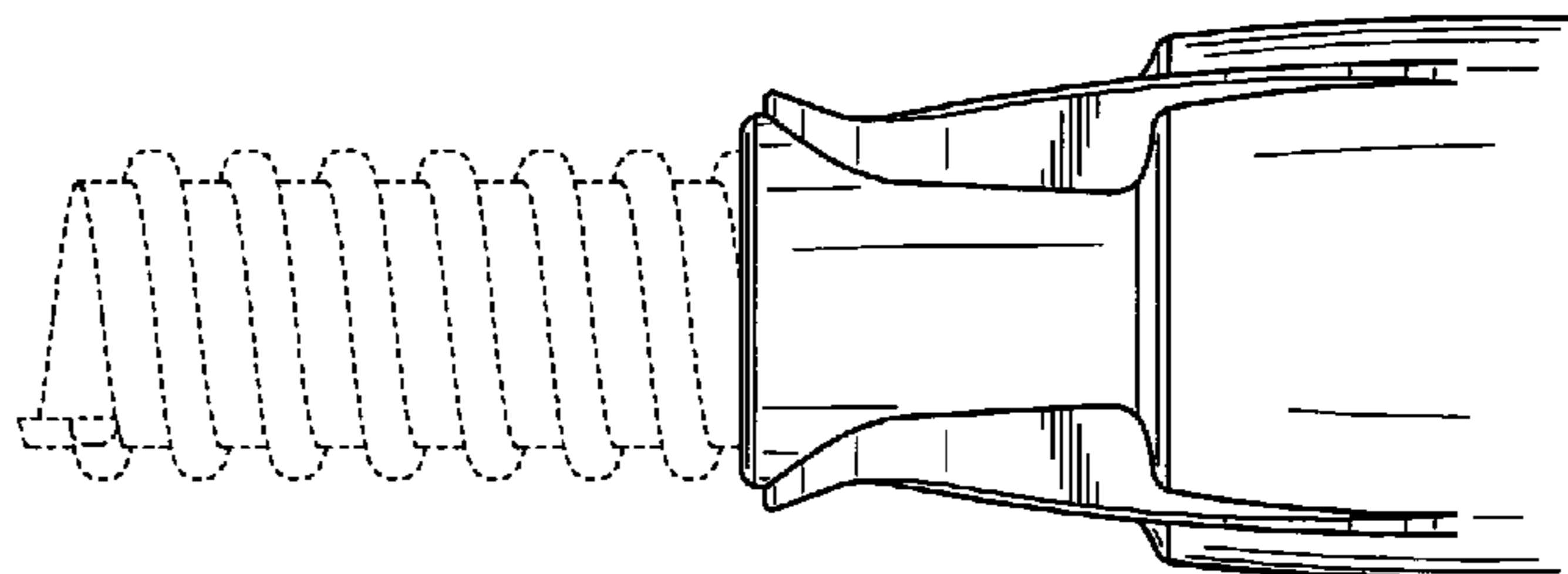
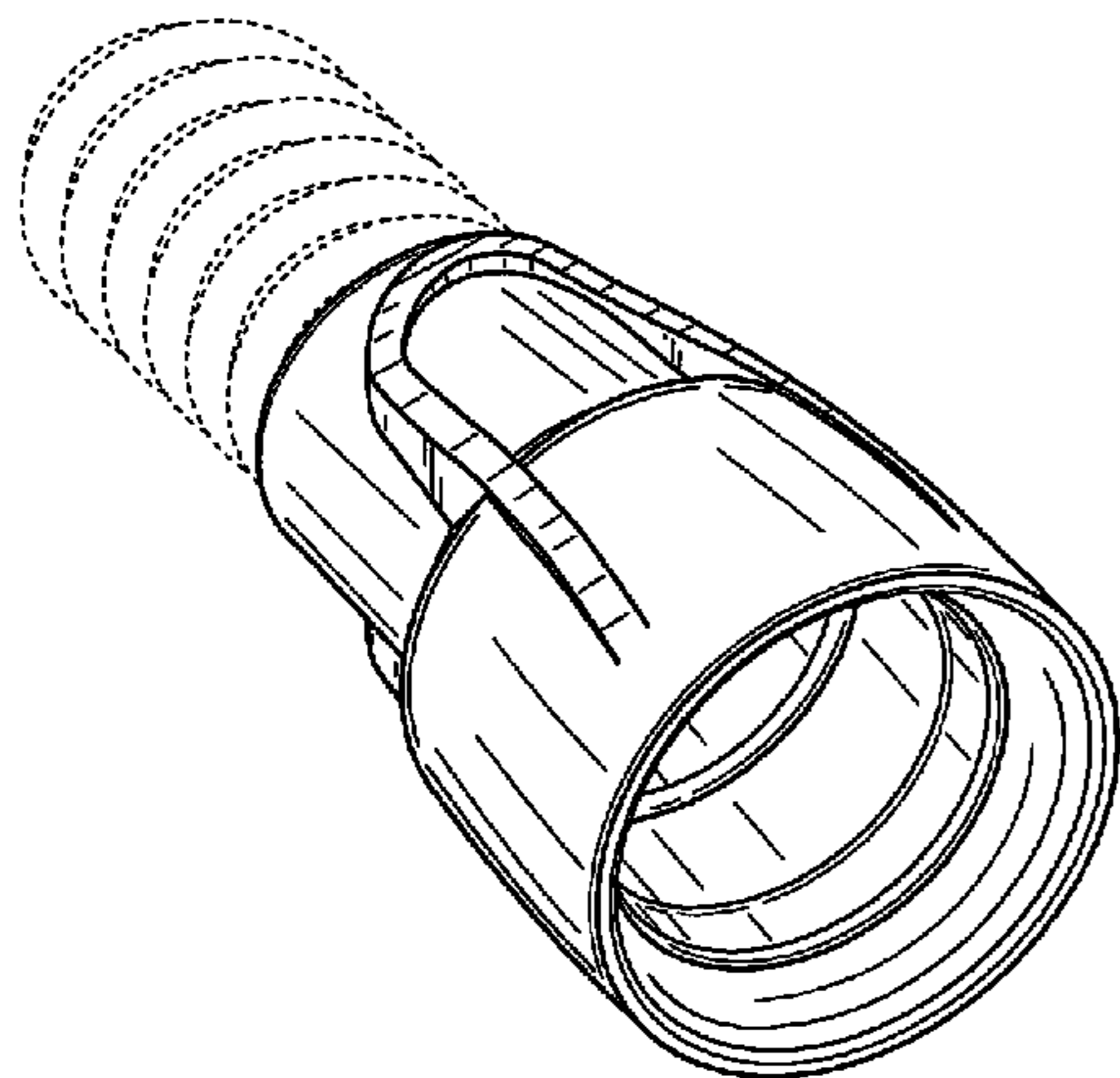
(57) **CLAIM**

The ornamental design for a cuff for air delivery tube, as shown and described.

DESCRIPTION

FIG. 1 is a front perspective view of a cuff for air delivery tube according to our new ornamental design;
FIG. 2 is a front view thereof, with the rear view being identical thereof;
FIG. 3 is a top view thereof, with the bottom view being identical thereto;
FIG. 4 is a left side view thereof; and,
FIG. 5 is a right side view thereof.
The broken lines represent environmental structure of the cuff and do not form a part of the claimed design.

1 Claim, 3 Drawing Sheets



US D652,917 S

Page 2

U.S. PATENT DOCUMENTS

6,983,757 B1 1/2006 Becker et al.
7,195,018 B1 3/2007 Goldstein
7,226,302 B2 6/2007 Walter et al.
7,597,100 B2 10/2009 Ging et al.
7,637,760 B2* 12/2009 Sheremeta et al. 439/191
D628,288 S 11/2010 Row et al.
D629,891 S 12/2010 Virr et al.
D629,892 S 12/2010 Hill et al.
2006/0283461 A1 12/2006 Lubke et al.
2007/0000492 A1 1/2007 Hansel et al.
2007/0095350 A1 5/2007 Darkin et al.
2007/0277828 A1 12/2007 Ho et al.
2008/0105257 A1 5/2008 Klasek et al.

2008/0210236 A1 9/2008 Richard et al.
2009/0025724 A1 1/2009 Herron, Jr.
2010/0236552 A1* 9/2010 Kwok et al. 128/204.21

OTHER PUBLICATIONS

Hill et al., Parent U.S. Appl. No. 29/371,192, filed Nov. 18, 2010.
Row et al., U.S. Appl. No. 61/202,907, filed Apr. 17, 2009.
Virr et al., U.S. Appl. No. 61/097,765, filed Sep. 17, 2008.
Virr et al., U.S. Appl. No. 61/226,134, filed Jul. 16, 2009.
CPAP Tubing, 6 ft (CPAP-6G), as shown on www.myrespiratorysupply.com, viewed Apr. 13, 2010 and review of same dated May 10, 2007 (3 pages).

* cited by examiner

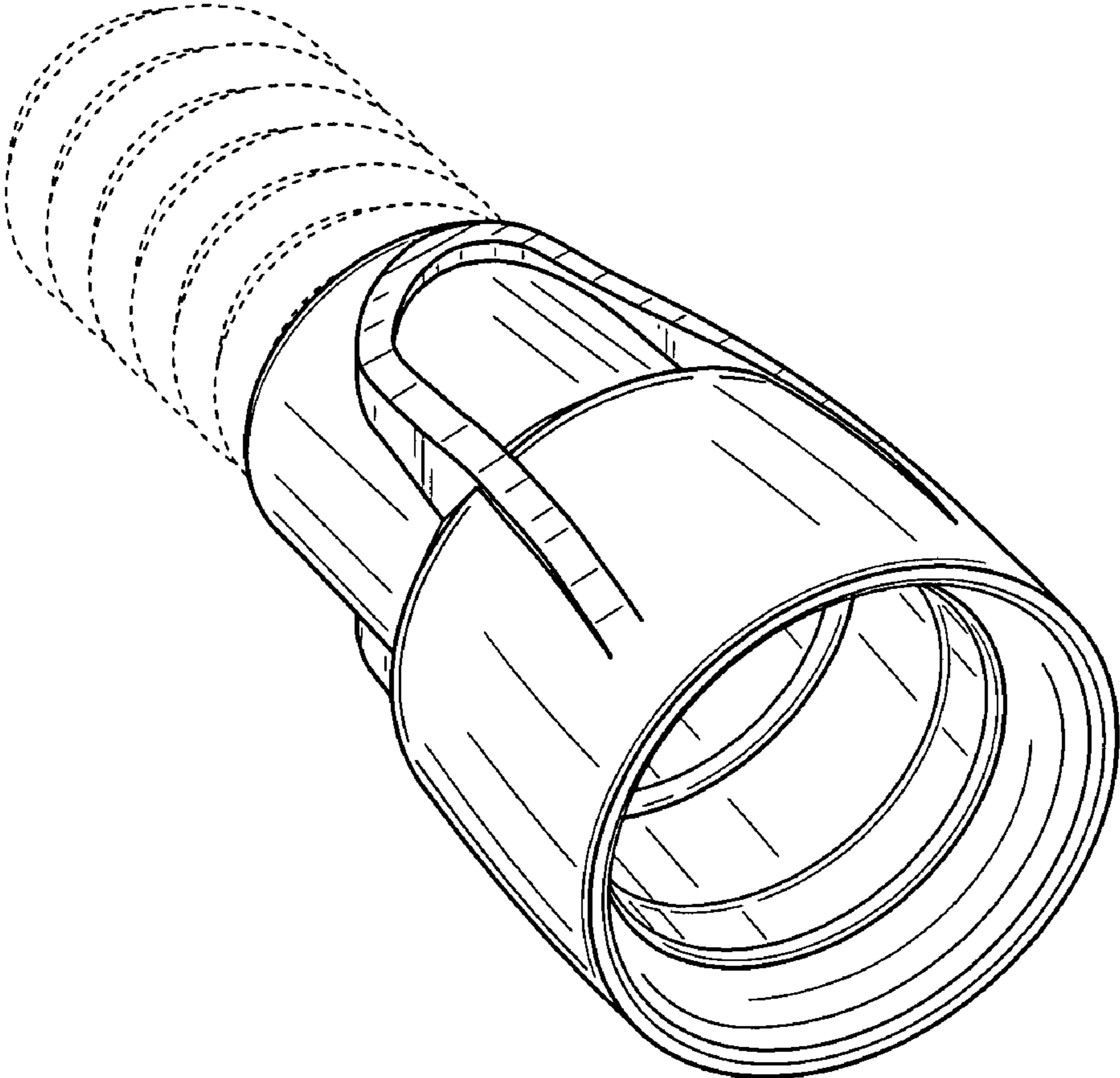


FIG. 1

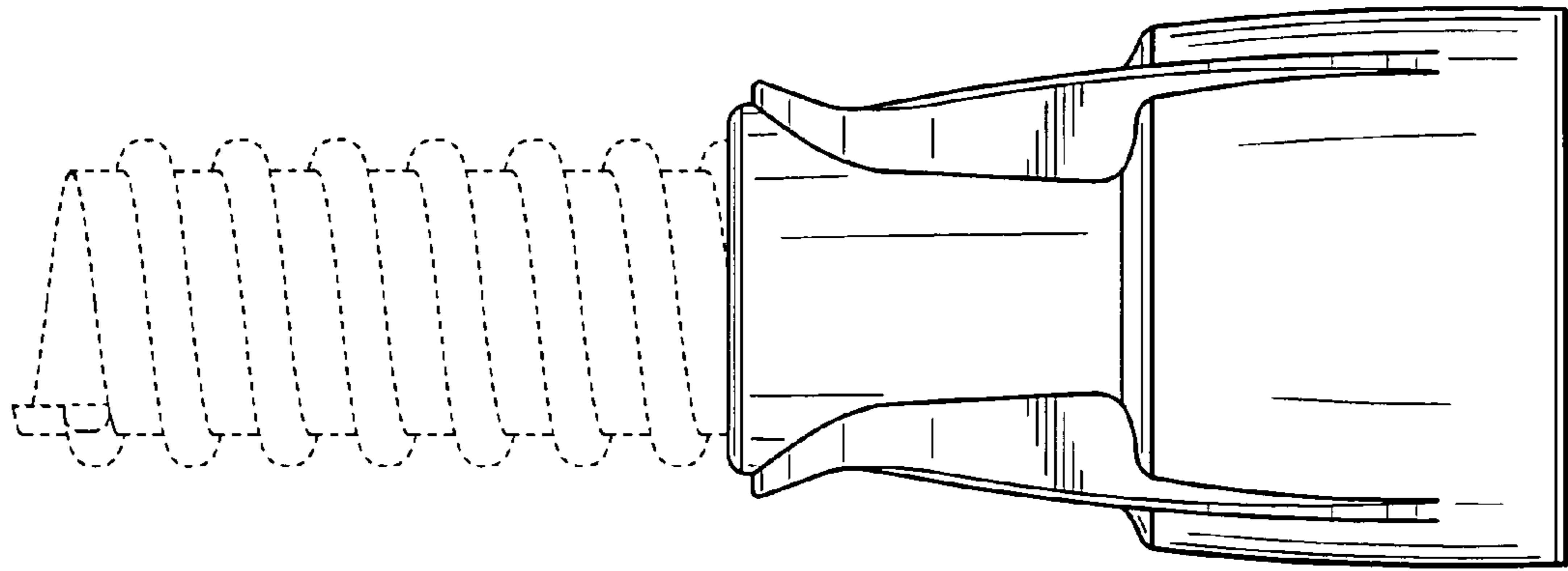


FIG. 2

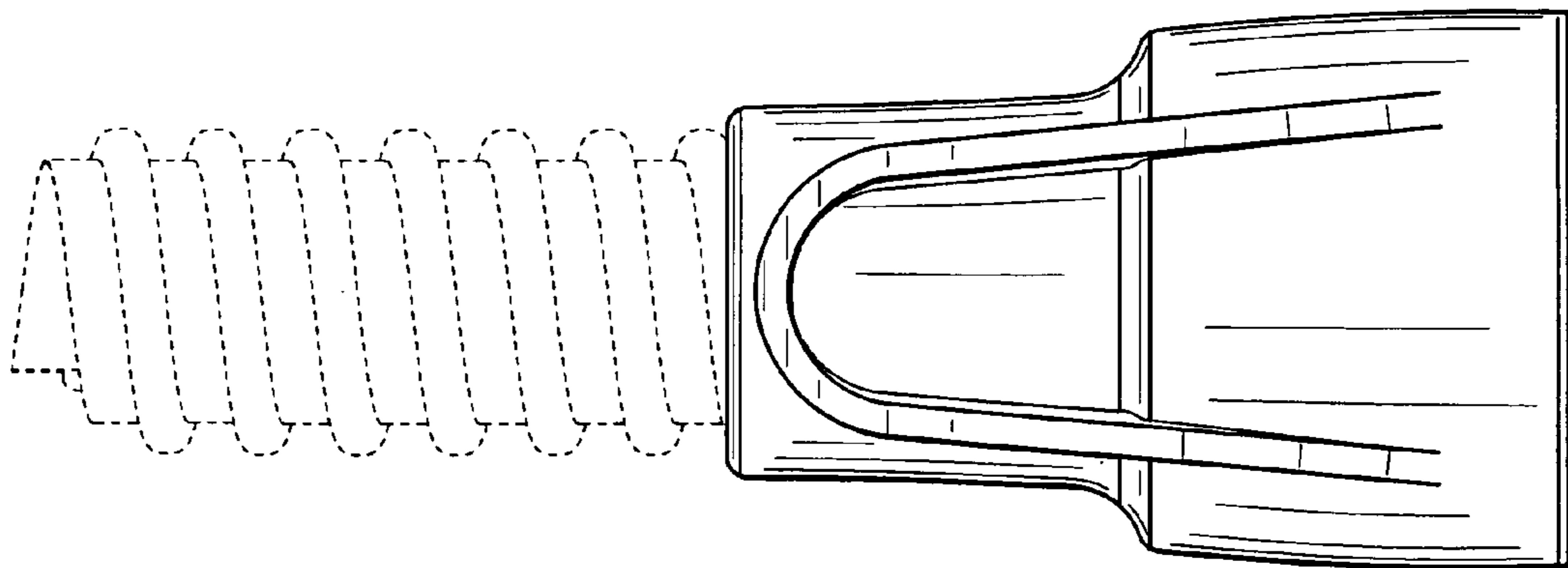


FIG. 3

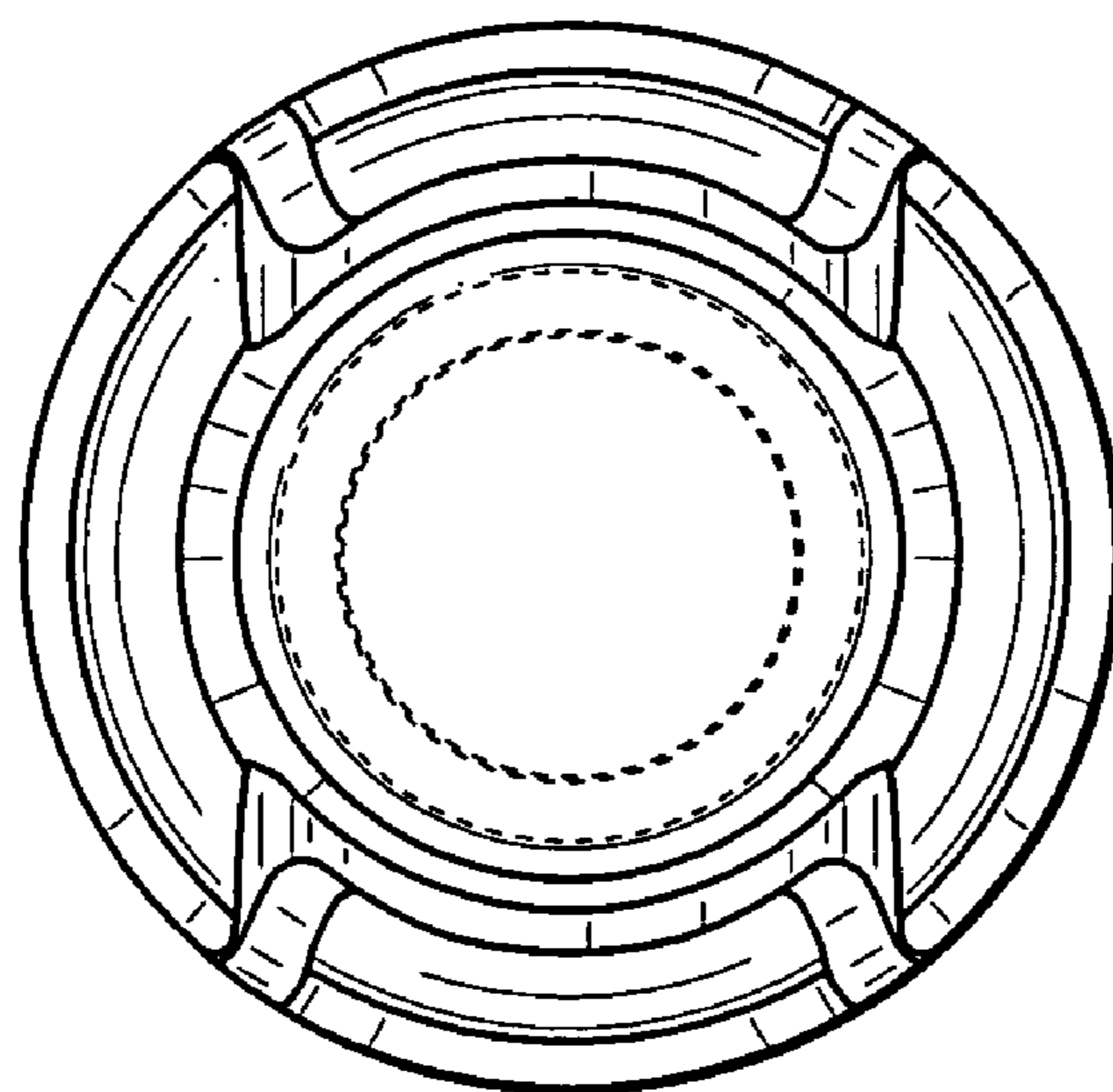


FIG. 4

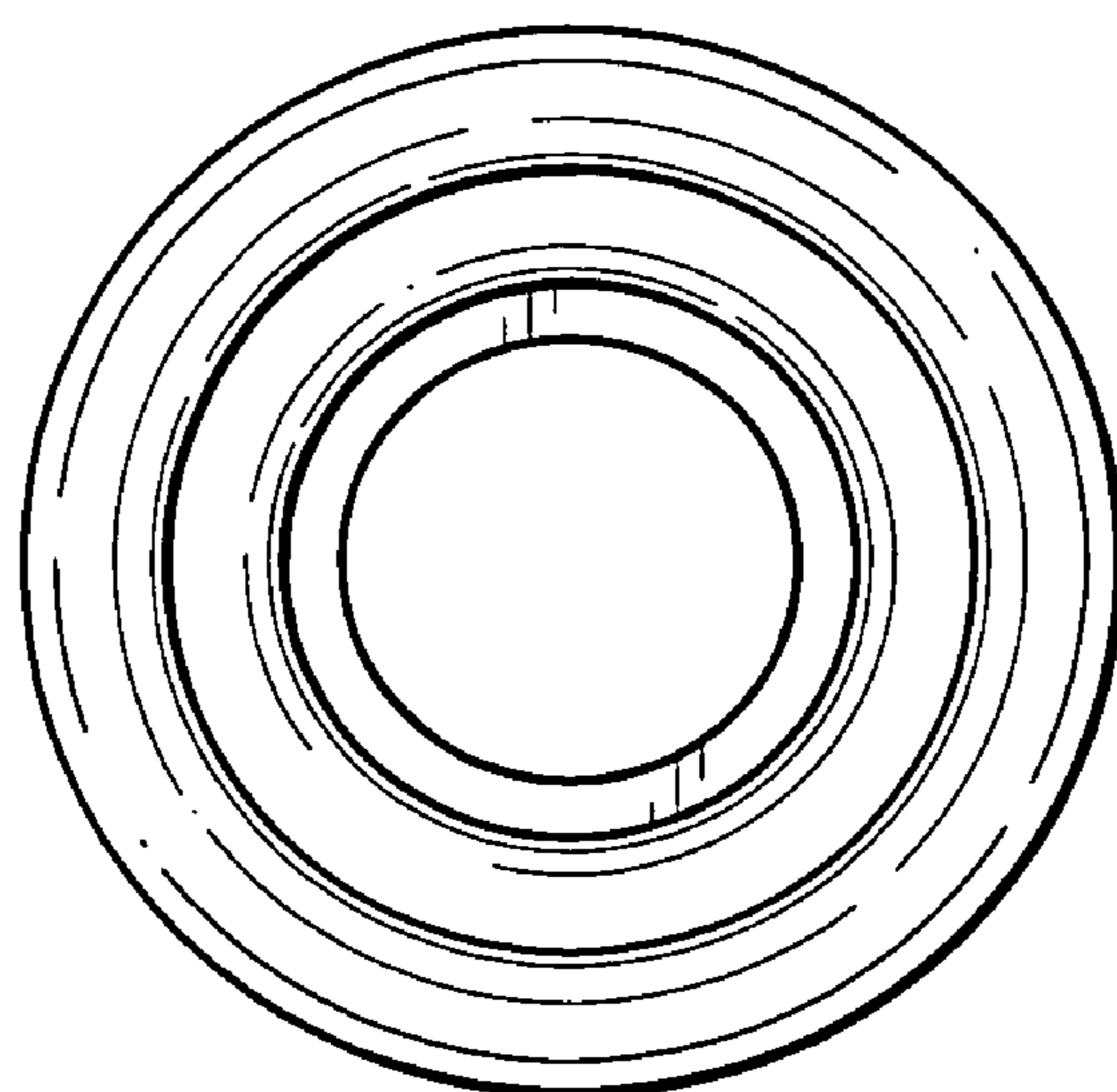


FIG. 5