



US00D652916S

(12) **United States Design Patent**  
**Row et al.**

(10) **Patent No.:** **US D652,916 S**  
(45) **Date of Patent:** **\*\* Jan. 24, 2012**

- (54) **CUFF FOR AIR DELIVERY TUBE**
- (75) Inventors: **Nathan John Row**, Lane Cove (AU);  
**Mark Bertinetti**, Ermington (AU)
- (73) Assignee: **Resmed Limited**, Bella Vista (AU)
- (\*\*) Term: **14 Years**
- (21) Appl. No.: **29/371,557**
- (22) Filed: **Apr. 20, 2011**

3,895,850 A \* 7/1975 Engle et al. .... 439/34  
 4,188,081 A \* 2/1980 Holden et al. .... 439/192  
 D302,040 S 7/1989 Lambert  
 (Continued)

FOREIGN PATENT DOCUMENTS  
 WO WO 2010/031126 3/2010

OTHER PUBLICATIONS  
 Virr et al., Parent U.S. Appl. No. 29/371,191, filed Nov. 18, 2010.  
 (Continued)

**Related U.S. Application Data**

- (62) Division of application No. 29/371,191, filed on Nov. 18, 2010, now Pat. No. Des. 638,537, which is a division of application No. 29/311,183, filed on Jan. 12, 2009, now Pat. No. Des. 629,891.
- (51) **LOC (9) Cl.** ..... **24-02**
- (52) **U.S. Cl.** ..... **D24/129**
- (58) **Field of Classification Search** ..... D24/107,  
D24/110, 110.4, 110.5, 110.6, 127, 128, 129,  
D24/164; 128/200.24, 201.22, 202.27, 203.27,  
128/204.18, 205.25, 206.15, 206.21; 138/111,  
138/121, 122; 156/143; 174/47; 285/260;  
439/191, 192; 604/27  
See application file for complete search history.

*Primary Examiner* — Karen E Eldridge Powers  
 (74) *Attorney, Agent, or Firm* — Nixon & Vanderhye P.C.

(57) **CLAIM**  
 The ornamental design for a cuff for air delivery tube, as shown and described.

**DESCRIPTION**

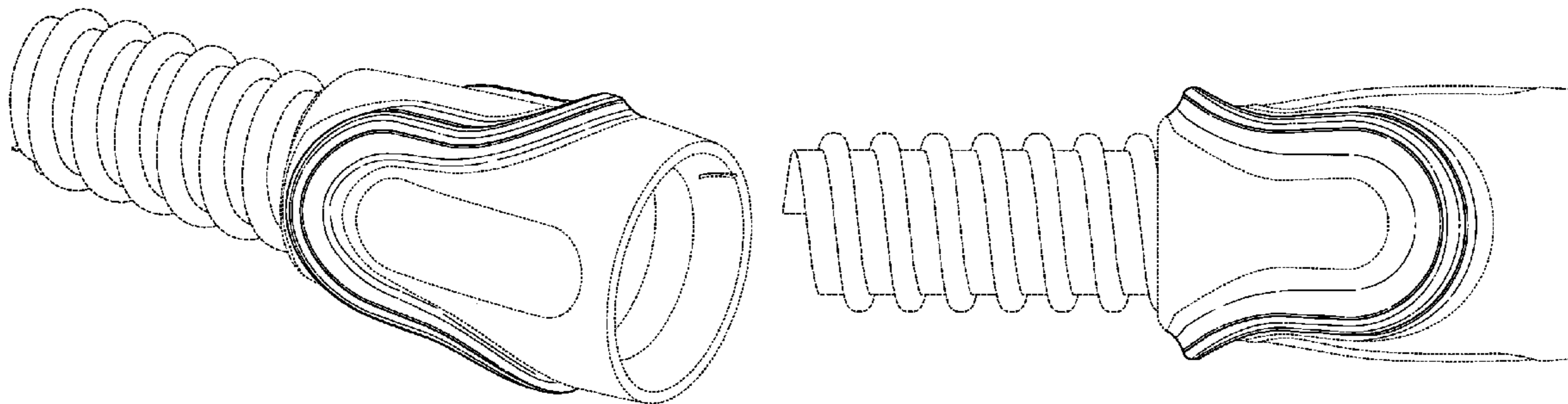
FIG. 1 is a front perspective view of a cuff for air delivery tube according to our new ornamental design;  
 FIG. 2 is a front view thereof, with the rear view being identical thereto, with the exception of the cut-off portion of the air delivery tube;  
 FIG. 3 is a top view thereof, with the bottom view being identical thereto, with the exception of the cut-off portion of the air delivery tube;  
 FIG. 4 is a right side view thereof;  
 FIG. 5 is a left side view thereof;  
 FIG. 6 is an alternate perspective view, from the front and left side; and,  
 FIG. 7 is an alternate perspective view, from the front and right side.  
 The broken lines showing environment or structure of the cuff for air delivery tube are for illustrative purposes only and form no part of the claimed design.

(56) **References Cited**

U.S. PATENT DOCUMENTS

1,746,701 A	2/1930	Kimmich	
2,045,540 A	6/1936	Rodolfo	
2,073,335 A	3/1937	Connell	
2,516,864 A	8/1950	Gilmore	
2,524,522 A *	10/1950	Gilmore et al. ....	138/111
2,954,802 A	10/1960	Duff	
3,163,707 A	12/1964	Darling	
3,224,444 A	12/1965	Dempster	
3,794,080 A	2/1974	Huston et al.	

**1 Claim, 6 Drawing Sheets**



# US D652,916 S

Page 2

## U.S. PATENT DOCUMENTS

D360,027 S 7/1995 Psaros  
5,720,504 A 2/1998 Stedman et al.  
6,575,944 B1 6/2003 McNary et al.  
6,923,184 B1 8/2005 Russo  
6,953,354 B2 10/2005 Edirisuriya  
6,983,757 B1 1/2006 Becker et al.  
7,195,018 B1 3/2007 Goldstein  
7,226,302 B2 6/2007 Walter et al.  
7,597,100 B2 10/2009 Ging et al.  
7,637,760 B2\* 12/2009 Sheremeta et al. .... 439/191  
D628,288 S 11/2010 Row et al.  
D629,891 S 12/2010 Virr et al.  
D629,892 S 12/2010 Hill et al.  
2006/0283461 A1 12/2006 Lubke et al.  
2007/0000492 A1 1/2007 Hansel et al.  
2007/0095350 A1 5/2007 Darkin et al.  
2007/0277828 A1 12/2007 Ho et al.  
2008/0105257 A1 5/2008 Klasek et al.

2008/0210236 A1 9/2008 Richard et al.  
2009/0025724 A1 1/2009 Herron, Jr.  
2010/0236552 A1\* 9/2010 Kwok et al. .... 128/204.21

## OTHER PUBLICATIONS

Row et al., U.S. Appl. No. 12/461,967, filed Aug. 28, 2009.  
Row et al., U.S. Appl. No. 61/202,907, filed Apr. 17, 2009.  
Virr et al., U.S. Appl. No. 61/097,765, filed Sep. 17, 2008.  
Virr et al., U.S. Appl. No. 61/226,134, filed Jul. 16, 2009.  
CPAP Tubing, 6 ft (CPAP-6G), as shown on [www.myrespiratorysupply.com](http://www.myrespiratorysupply.com), viewed Apr. 13, 2010 and review of same dated May 10, 2007 (3 pages).  
ResMed's S9 Series Humidaire H5i Heated Humidifier with Climate Control, as shown on [www.cpap.com](http://www.cpap.com), viewed Apr. 13, 2010 (13 pages). See pp. 10-11 for tubing connectors.  
ResMed's S9 ClimateLine heated tubing, as shown on [www.s9morecomfort.com](http://www.s9morecomfort.com), viewed Apr. 13, 2010 (4 pages).

\* cited by examiner

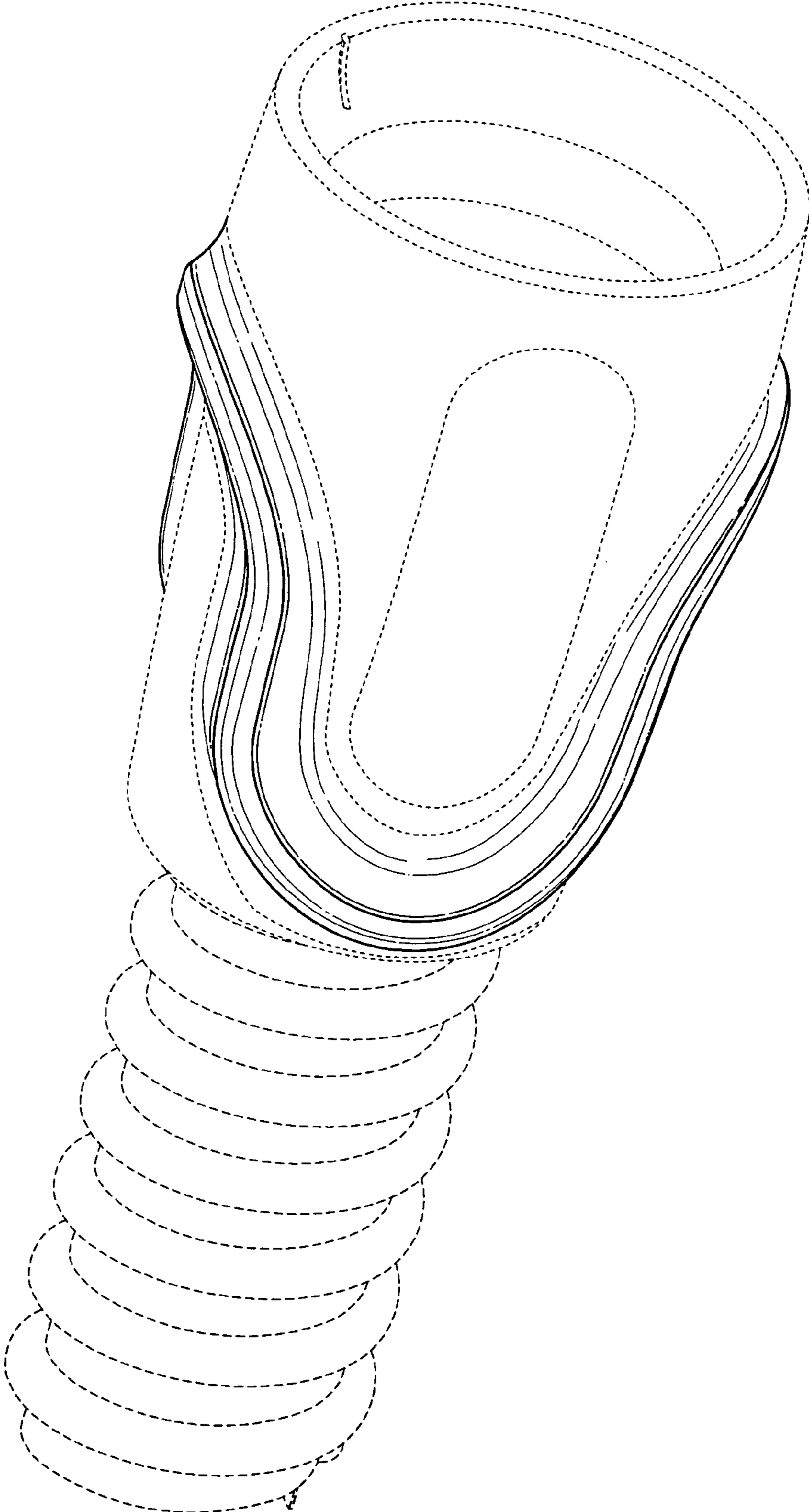


Figure 1

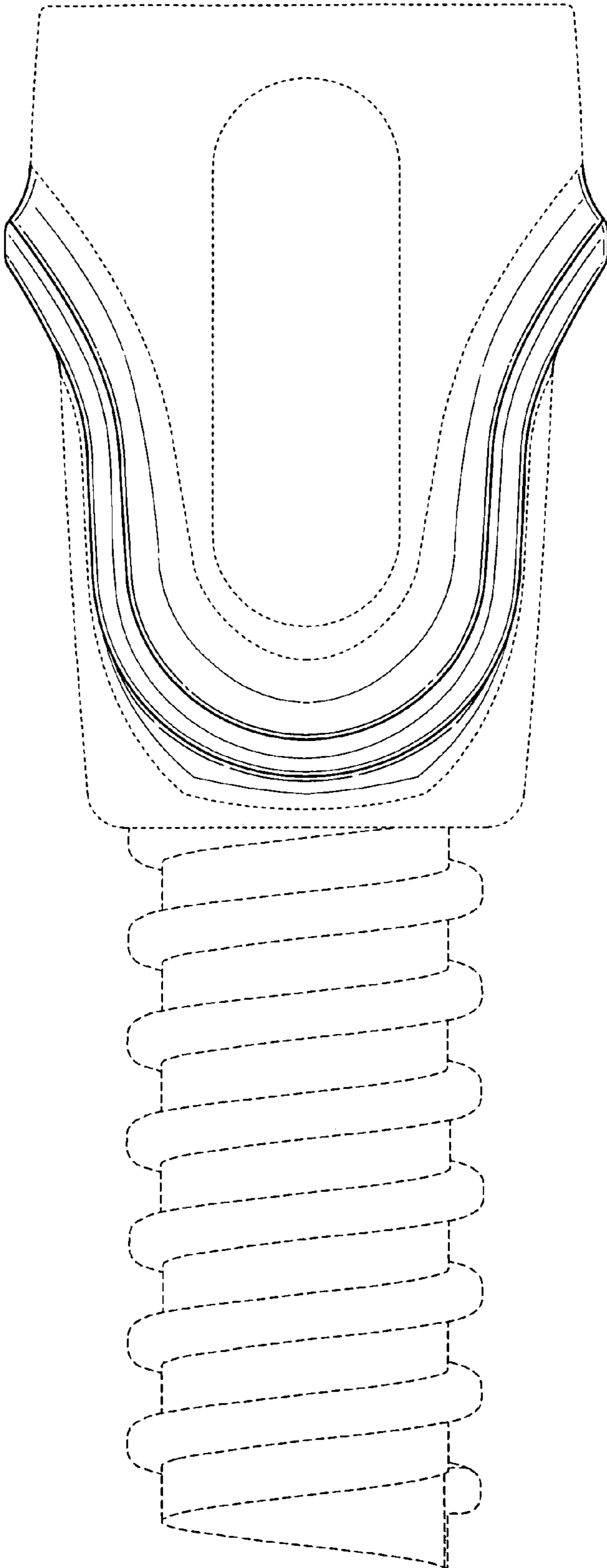


Figure 2

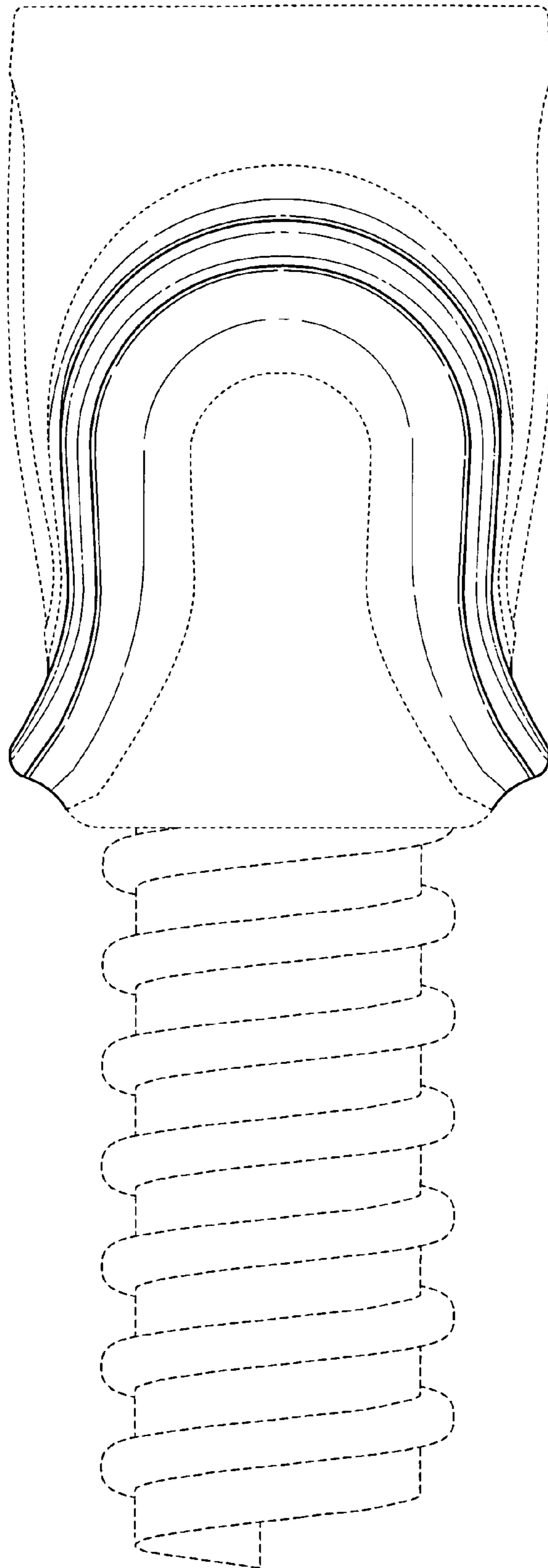


Figure 3

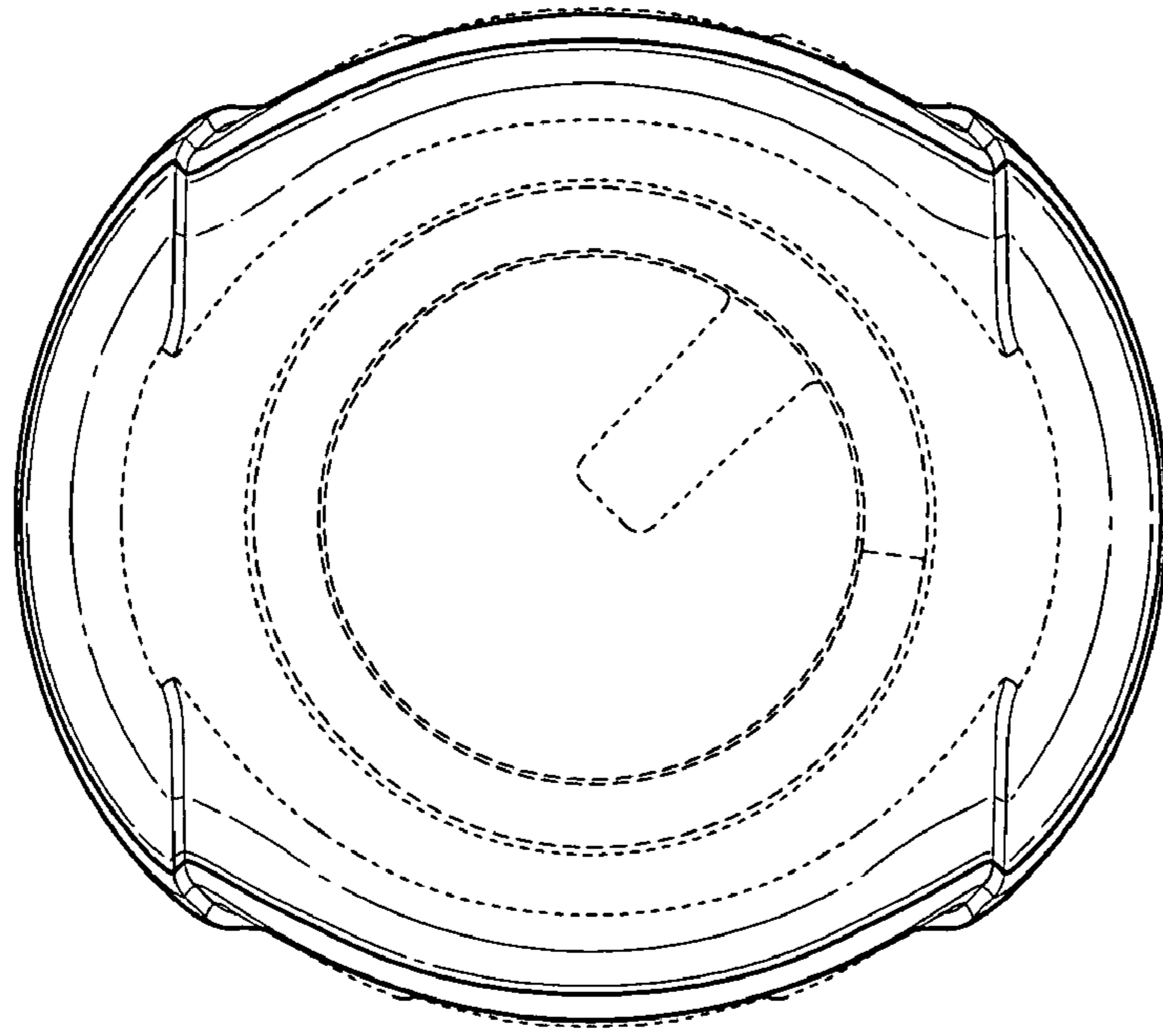


Figure 5

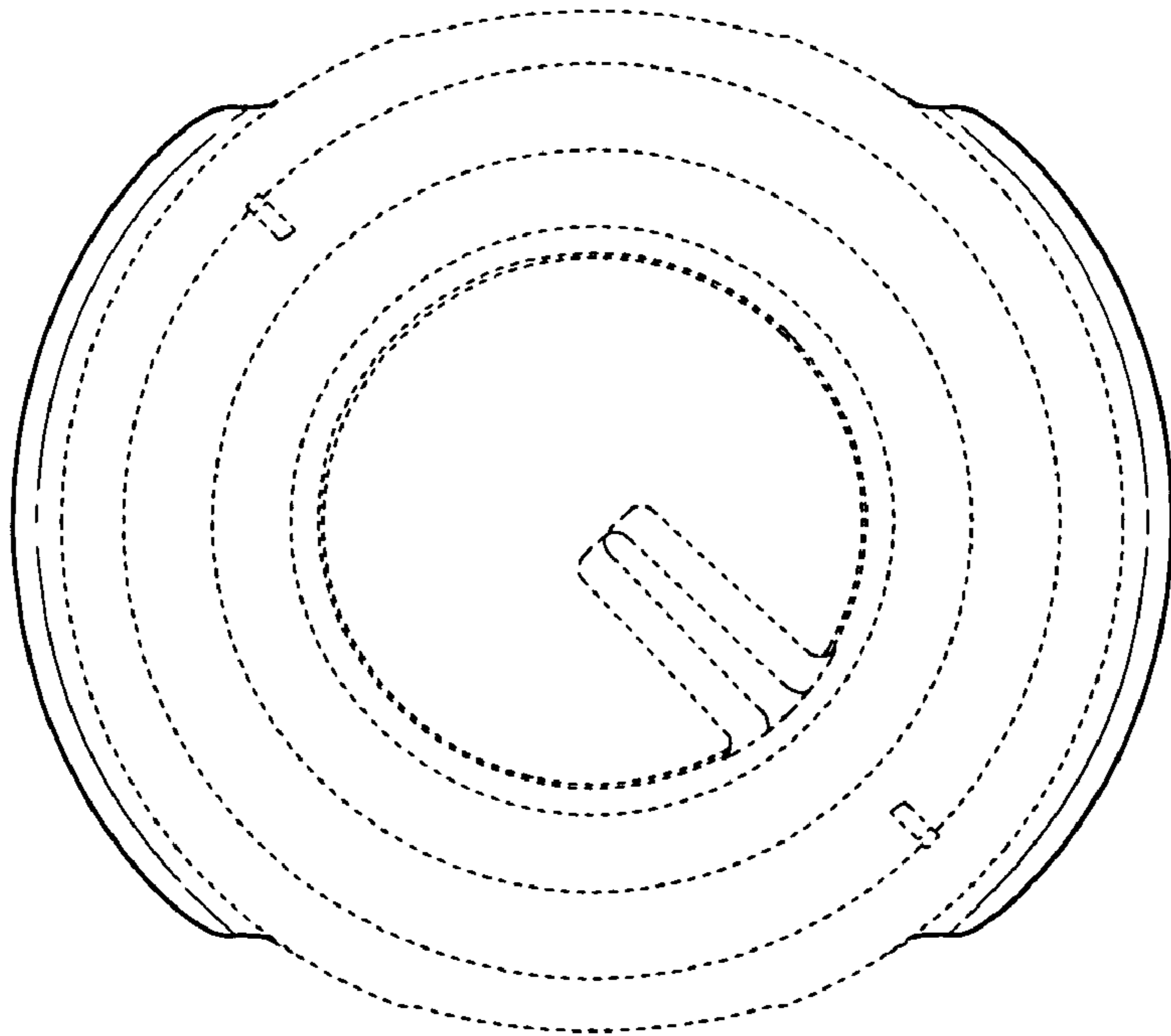


Figure 4

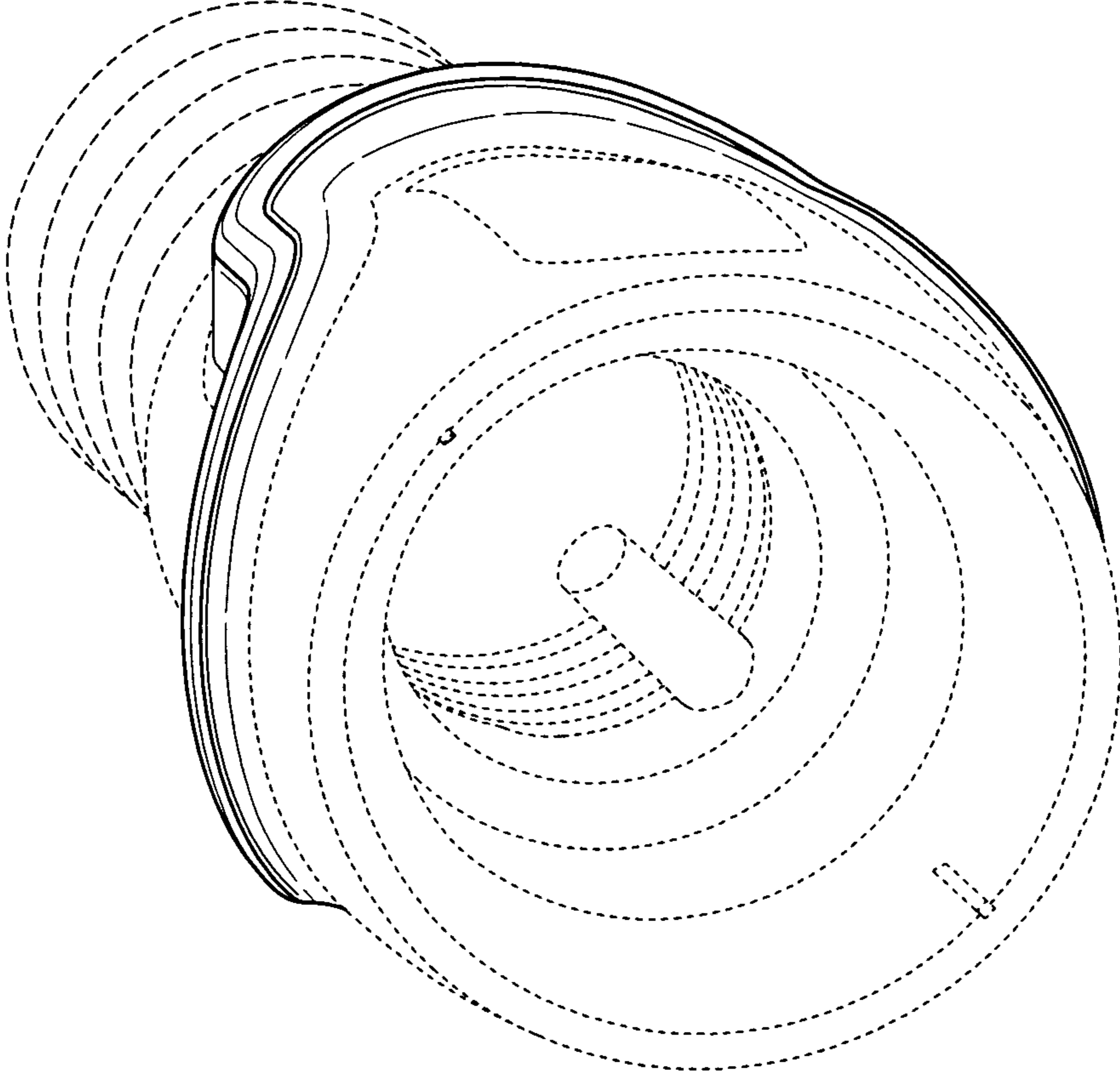


Figure 6

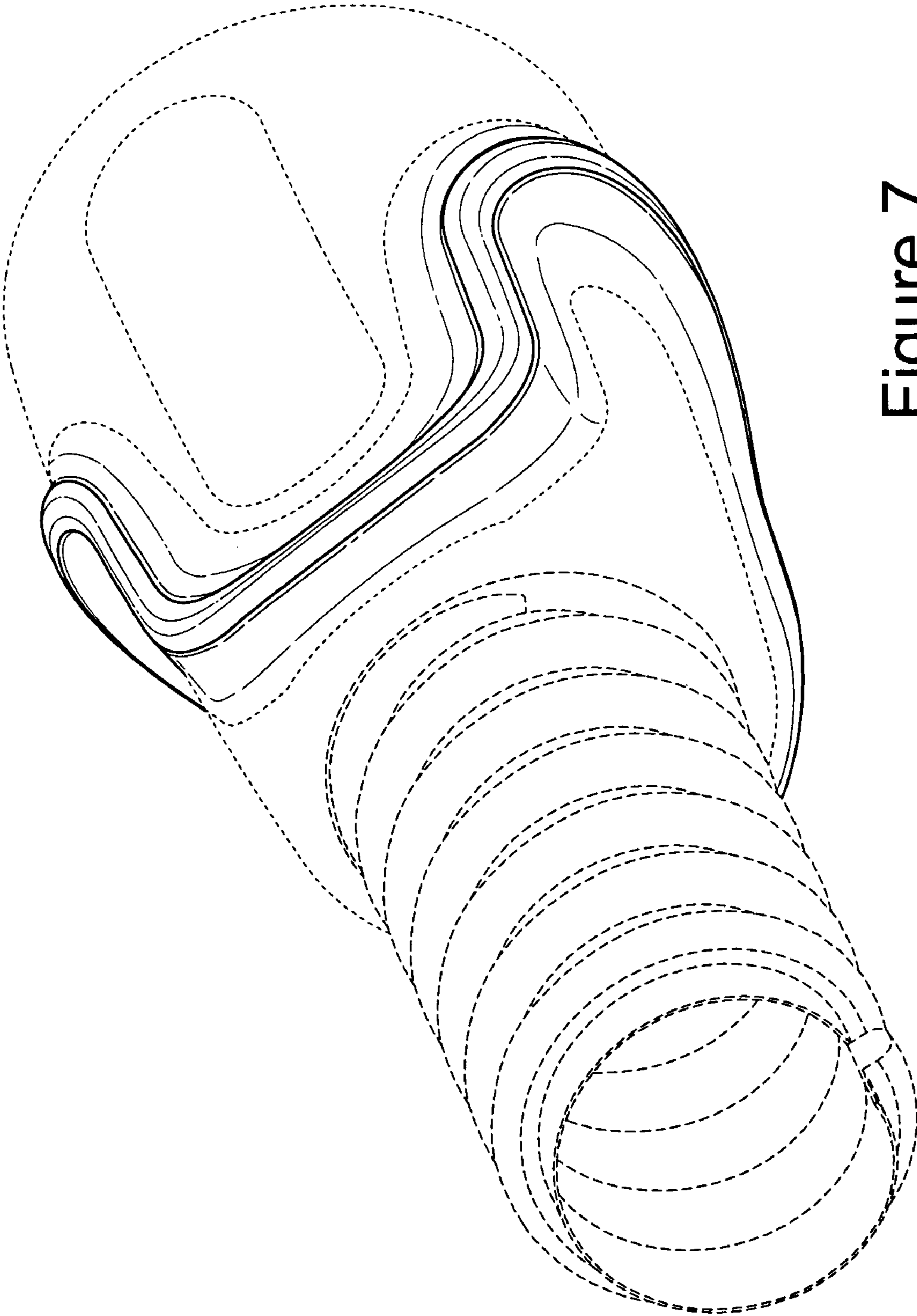


Figure 7