



US00D652911S

(12) **United States Design Patent**
Amarasinghe

(10) **Patent No.:** **US D652,911 S**
(45) **Date of Patent:** **** Jan. 24, 2012**

(54) **HEADGEAR**

(75) **Inventor:** **Amal S. Amarasinghe**, West Pennant Hills (AU)

(73) **Assignee:** **ResMed Limited**, Bella Vista (AU)

(**) **Term:** **14 Years**

(21) **Appl. No.:** **29/347,476**

(22) **Filed:** **Feb. 2, 2010**

Related U.S. Application Data

(60) Division of application No. 29/290,244, filed on Nov. 8, 2007, which is a continuation of application No. 29/266,818, filed on Sep. 29, 2006, now Pat. No. Des. 559,976, which is a continuation of application No. 29/220,536, filed on Jan. 3, 2005, now Pat. No. Des. 532,512.

(51) **LOC (9) Cl.** **29-02**

(52) **U.S. Cl.** **D24/110.1; D24/110**

(58) **Field of Classification Search** D24/110, D24/110.1-110.5; D16/335; D2/861, 860, D2/620, 624-627, 636, 865; D30/152, 144; 128/207.17, 207.11, 205.25, 206.24; 2/8.1, 2/636; D11/5; 63/3; 40/633

See application file for complete search history.

(56) **References Cited**

U.S. PATENT DOCUMENTS

RE20,211	E *	12/1936	Motsinger	128/207.11
3,457,564	A *	7/1969	Holloway	2/8.1
4,367,735	A *	1/1983	Dali	128/207.18
5,117,819	A *	6/1992	Servidio et al.	128/204.18
D335,367	S	5/1993	Mieskoski		
5,284,469	A *	2/1994	Jasen et al.	602/17
5,488,948	A *	2/1996	Dubruille et al.	128/207.11
5,490,504	A *	2/1996	Vrona et al.	128/207.17
5,517,986	A *	5/1996	Starr et al.	128/206.24
5,529,062	A *	6/1996	Byrd	128/207.17
5,542,128	A *	8/1996	Lomas	2/173
D383,204	S	9/1997	Lomas		
6,105,573	A *	8/2000	Delaplane et al.	128/200.26
6,119,693	A *	9/2000	Kwok et al.	128/207.11

D440,652	S *	4/2001	Pollard	D24/110.1
6,269,814	B1 *	8/2001	Blaszcykiewicz et al.	128/207.17
6,422,238	B1 *	7/2002	Lithgow	128/207.11
6,494,207	B1 *	12/2002	Kwok	128/207.11
6,701,927	B2 *	3/2004	Kwok et al.	128/207.13
6,772,760	B2 *	8/2004	Frater et al.	128/206.24
D496,726	S *	9/2004	Amarasinghe et al.	...	D24/110.1

(Continued)

FOREIGN PATENT DOCUMENTS

DE 19947722 4/2001

(Continued)

OTHER PUBLICATIONS

Amarasinghe, U.S. Appl. No. 29/290,244, filed Nov. 8, 2007.

(Continued)

Primary Examiner — T. Chase Nelson

Assistant Examiner — Michael Pratt

(74) *Attorney, Agent, or Firm* — Nixon & Vanderhye P.C.

(57) **CLAIM**

The ornamental design for headgear, as shown and described.

DESCRIPTION

FIG. 1 is a perspective view of headgear for use with a respiratory mask assembly according to my new ornamental design;

FIG. 2 is a front view thereof;

FIG. 3 is a rear view thereof; and,

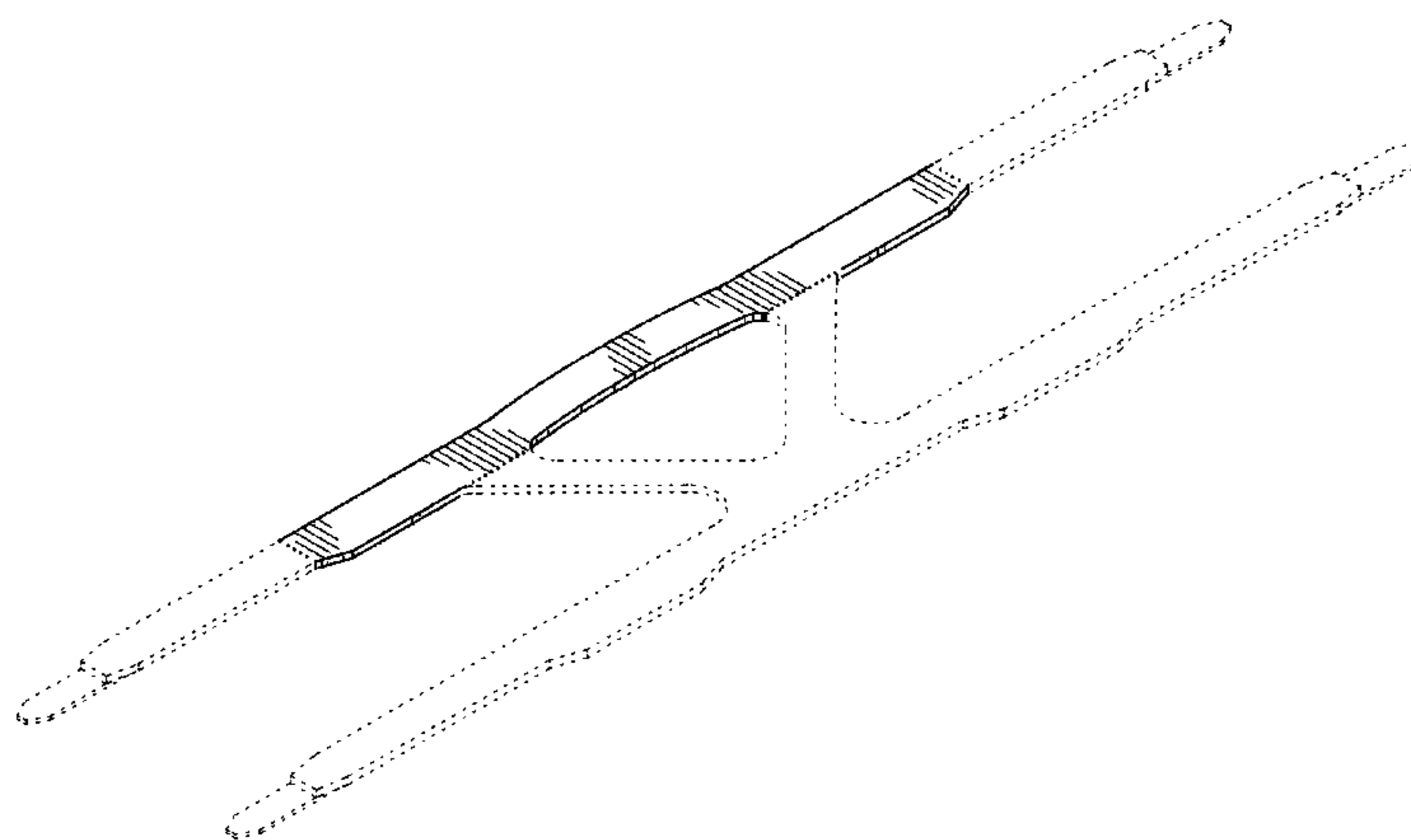
FIG. 4 is a top view thereof.

The headgear shown in the figures is shown in its pre-use condition. The headgear is designed to wrap about the head of a patient in use.

The broken lines show environmental structure and are for illustrative purposes only and form no part of the claimed design.

The dotted lines represent the border between claimed and unclaimed subject matter and form no part of the claimed design.

1 Claim, 2 Drawing Sheets



US D652,911 S

Page 2

U.S. PATENT DOCUMENTS

6,793,308 B2 * 9/2004 Sugimoto et al. 347/15
6,796,308 B2 9/2004 Gunaratnam et al.
6,805,117 B1 * 10/2004 Ho et al. 128/201.22
D532,511 S * 11/2006 Amarasinghe D24/110
D532,512 S * 11/2006 Amarasinghe D24/110
7,188,620 B2 * 3/2007 Amarasinghe 128/201.22
D540,940 S * 4/2007 Amarasinghe et al. ... D24/110.1
D550,834 S 9/2007 Samaras
D559,976 S 1/2008 Amarasinghe
D560,797 S 1/2008 Carroll et al.
D561,332 S * 2/2008 Amarasinghe et al. ... D24/110.1
D561,892 S 2/2008 Amarasinghe
2002/0174868 A1 11/2002 Kwok et al.
2003/0051732 A1 * 3/2003 Smith et al. 128/206.27
2003/0196657 A1 * 10/2003 Ging et al. 128/201.22
2004/0067333 A1 4/2004 Amarasinghe
2004/0112377 A1 * 6/2004 Amarasinghe et al. .. 128/201.22
2006/0011202 A1 * 1/2006 Kwok et al. 128/207.11
2006/0283457 A1 * 12/2006 Woodard et al. 128/206.24
2006/0283461 A1 * 12/2006 Lubke et al. 128/207.11
2007/0169777 A1 * 7/2007 Amarasinghe 128/201.22

FOREIGN PATENT DOCUMENTS

EP 0 747 078 12/1996
EP 1020201 7/2000

EP 1 057 494 12/2000
FR 2 618 340 A 1/1989
JP 10-314307 12/1998
WO WO 96/25983 8/1996
WO WO 98/48878 11/1998
WO WO 02/47749 6/2002

OTHER PUBLICATIONS

Amarasinghe et al., U.S. Appl. No. 29/232,935, filed Jun. 27, 2005.
Supplementary European Search Report for EP 01270356.7 mailed Feb. 3, 2006, 3 pages.
Amarasinghe, U.S. Appl. No. 11/701,362, filed Feb. 2, 2007.
Amarasinghe et al., U.S. Appl. No. 29/274,042, filed Mar. 23, 2007.
Amarasinghe et al., U.S. Appl. No. 29/290,442, filed Dec. 5, 2007.
Amarasinghe, U.S. Appl. No. 29/290,276, filed Nov. 14, 2007.
European Office Action for EP Appln 01 270 356.7, mailed Jun. 11, 2007, 3 pages.
U.S. Appl. No. 60/293,992, filed May 30, 2001, Frater et al.
U.S. Appl. No. 60/219,618, filed Jul. 21, 2000, Frater et al.
U.S. Appl. No. 60/213,251, filed Jun. 22, 2000, Frater et al.
Amarasinghe et al., U.S. Appl. No. 60/254,537, filed Dec. 12, 2000.
Amarasinghe, U.S. Appl. No. 29/347,476, filed Feb. 2, 2010.

* cited by examiner

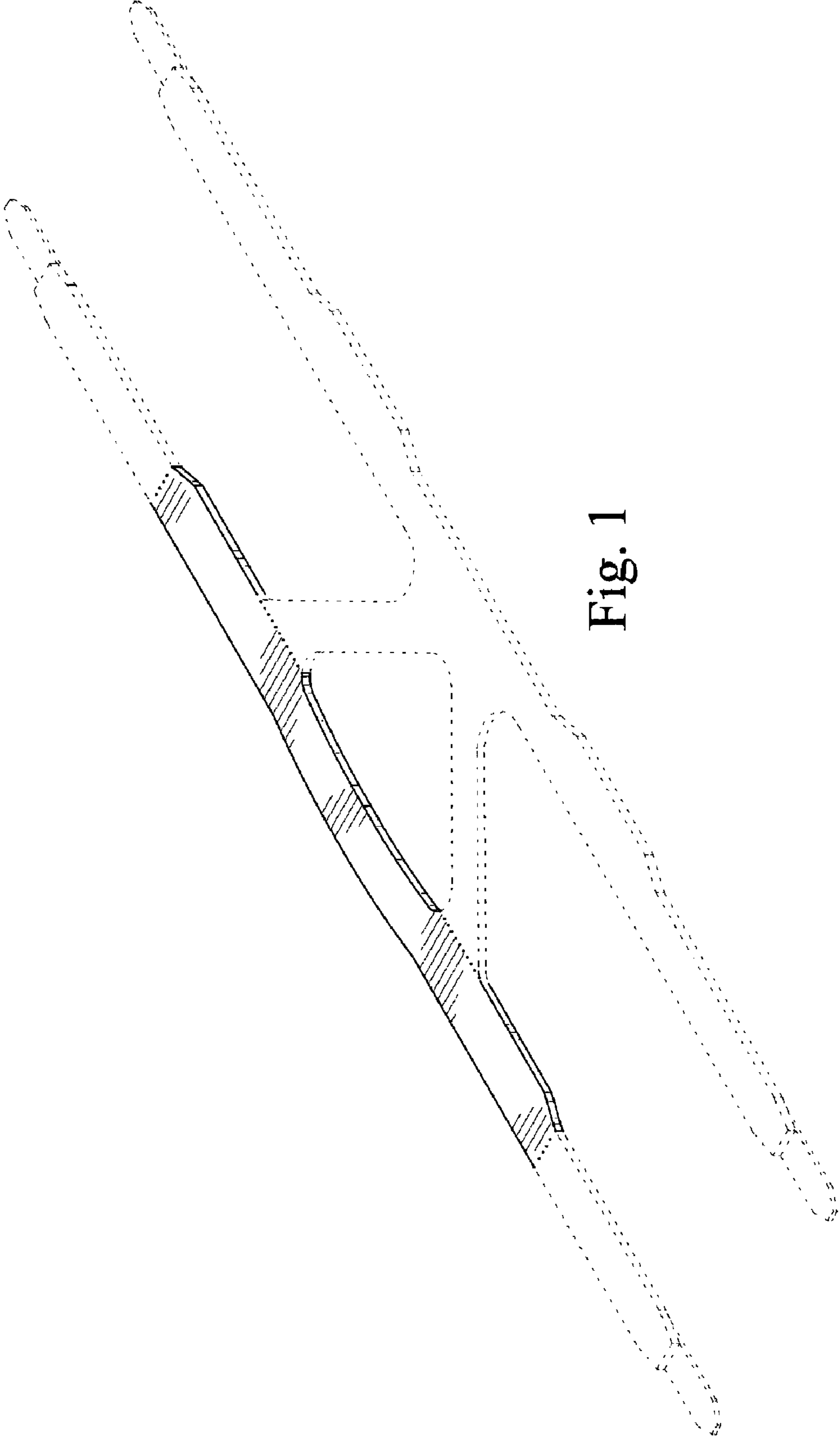


Fig. 1

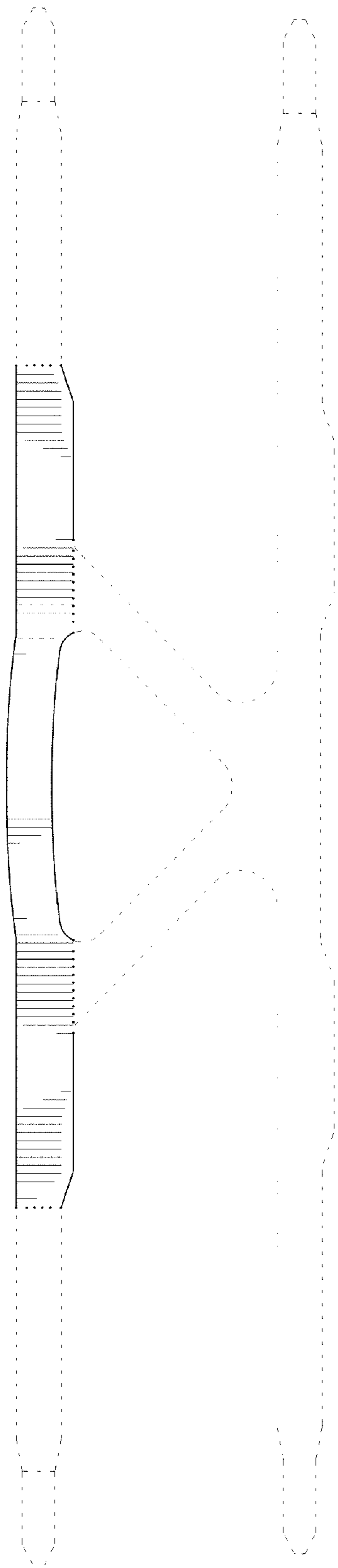


Fig. 2

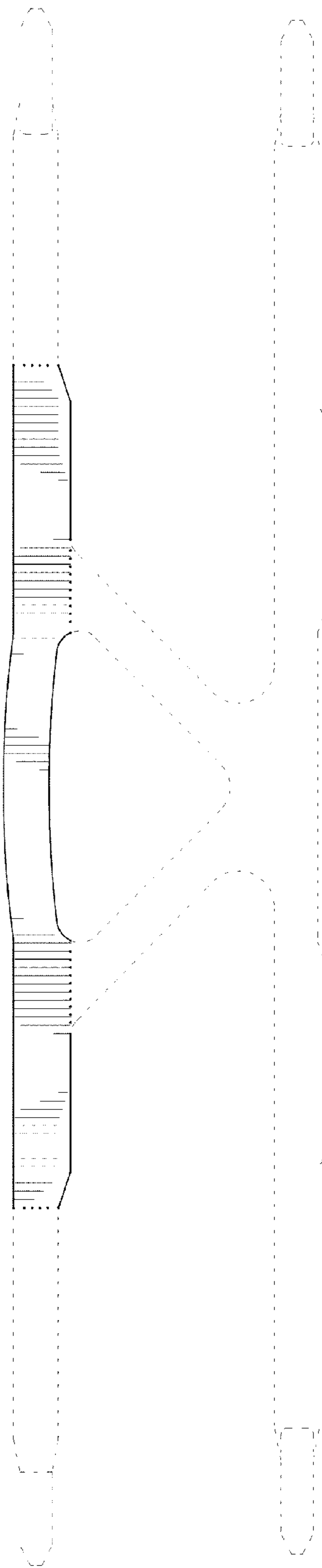


Fig. 3



Fig. 4