



US00D652909S

(12) **United States Design Patent**  
**Smart et al.**

(10) **Patent No.:** **US D652,909 S**  
(45) **Date of Patent:** **\*\* Jan. 24, 2012**

- (54) **RESPIRATORY MASK FRAME**
- (75) Inventors: **Gregory Scott Smart**, Randwick (AU);  
**Alison Oldenburg**, Crows Nest (AU)
- (73) Assignee: **ResMed Limited**, Bella Vista (AU)
- (\*\*) Term: **14 Years**
- (21) Appl. No.: **29/311,246**
- (22) Filed: **Jan. 28, 2009**

- 4,601,465 A 7/1986 Roy
- 4,617,637 A 10/1986 Chu et al.
- 4,660,555 A 4/1987 Payton
- 4,699,139 A 10/1987 Marshall et al.
- 4,706,664 A 11/1987 Snook et al.

(Continued)

**FOREIGN PATENT DOCUMENTS**

DE 146688 2/1981

(Continued)

**OTHER PUBLICATIONS**

Respironics Co.—Mask Family—<http://maskfamily.respironics.com/> viewed on Jul. 24, 2006.

(Continued)

*Primary Examiner* — Wan Laymon

(74) *Attorney, Agent, or Firm* — Nixon & Vanderhye P.C.

(57) **CLAIM**

The ornamental design for a respiratory mask frame, as shown and described.

**DESCRIPTION**

FIG. 1 is a front perspective view of a respiratory mask frame according to our design, with everything except the vent portions being portrayed in broken lines; FIG. 2 is a reverse perspective view thereof; FIG. 3 is a front view thereof; FIG. 4 is a rear view thereof; FIG. 5 is a top view thereof; FIG. 6 is a bottom view thereof; FIG. 7 is a right side view thereof; and, FIG. 8 is a left side view thereof. Where included, the use of broken lines are for illustrative purposes only to indicate environmental surroundings and does not constitute a portion of the claimed design. Where included, the use of dotted lines represents the border between claimed and unclaimed subject matter and does not constitute a portion of the claimed design.

**1 Claim, 4 Drawing Sheets**

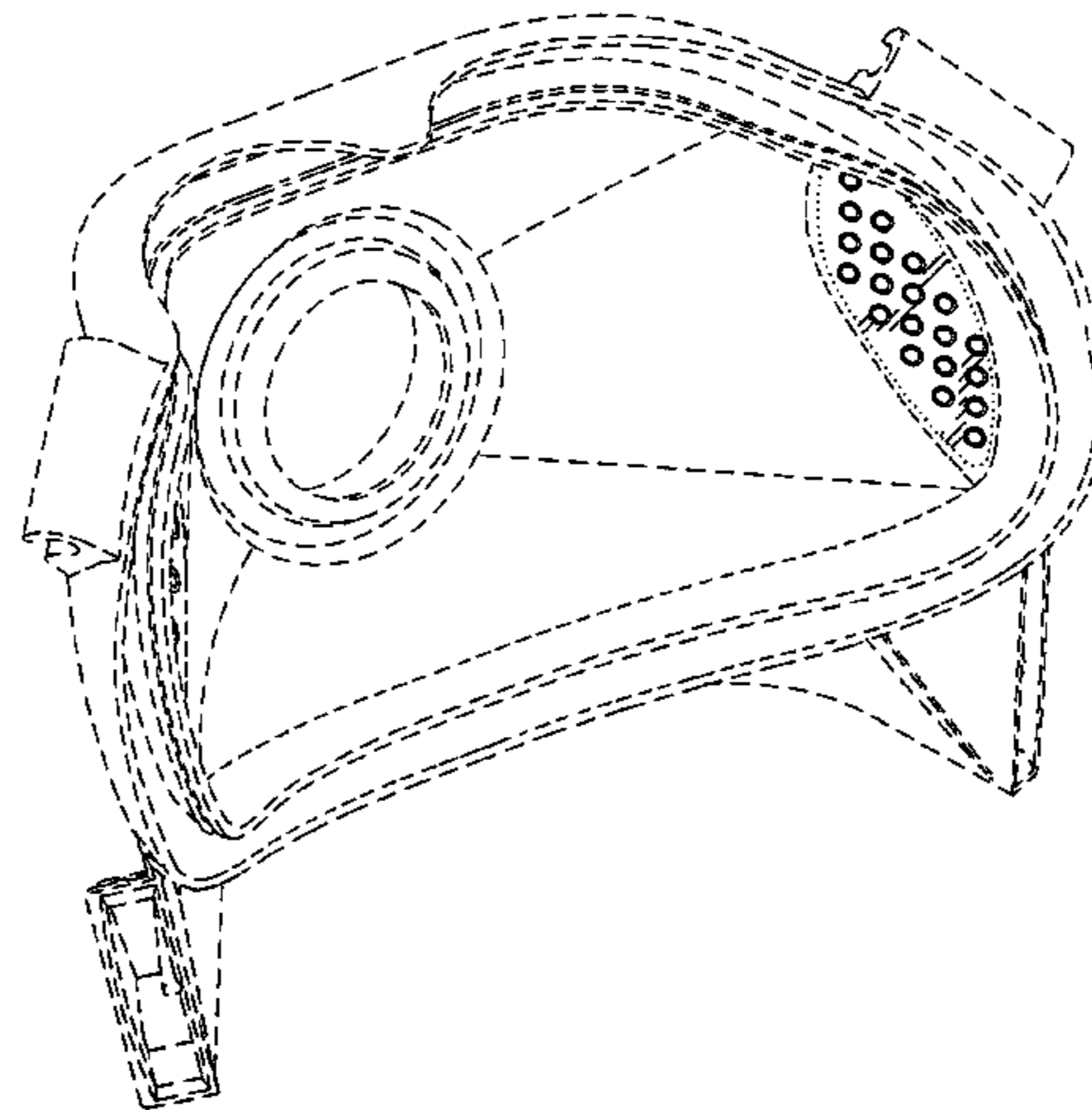
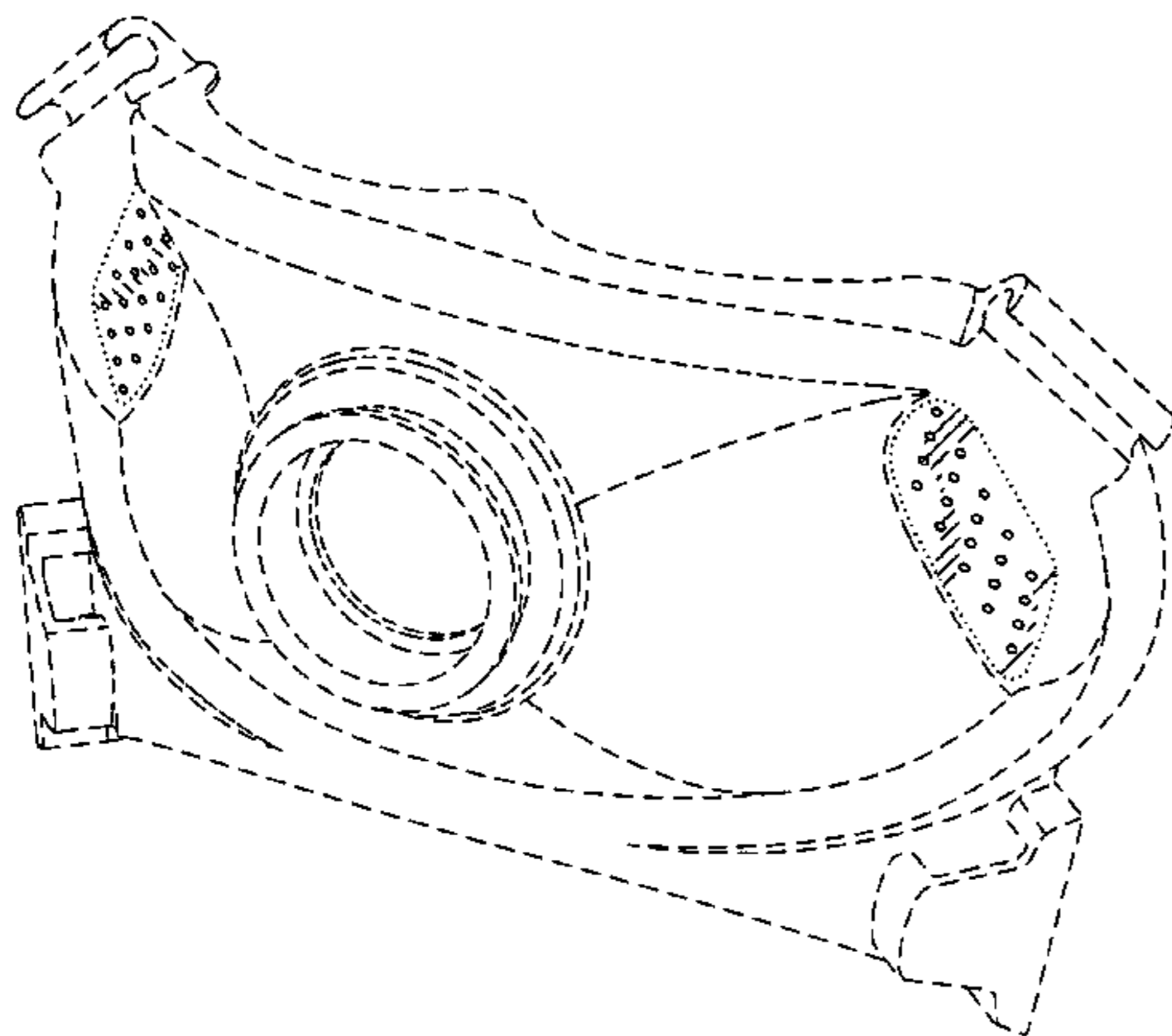
**Related U.S. Application Data**

- (62) Division of application No. 29/258,791, filed on Apr. 28, 2006, now Pat. No. Des. 597,199.
- (51) **LOC (9) Cl.** ..... **29-02**
- (52) **U.S. Cl.** ..... **D24/110.1; D24/110.4; D24/110.5**
- (58) **Field of Classification Search** ... D24/110.1–110.5,  
D24/162, 164; 128/200.24, 204.18, 204.23,  
128/205.25, 206.11, 206.12, 206.21, 206.27,  
128/207.11, 207.18, 207.13  
See application file for complete search history.

(56) **References Cited**

**U.S. PATENT DOCUMENTS**

- |             |         |                       |
|-------------|---------|-----------------------|
| 443,191 A   | 12/1890 | Illing                |
| 1,125,542 A | 1/1915  | Humphries             |
| 3,670,726 A | 6/1972  | Mahon et al.          |
| 3,739,774 A | 6/1973  | Gregory               |
| 3,754,552 A | 8/1973  | King                  |
| 3,861,385 A | 1/1975  | Carden                |
| 3,902,486 A | 9/1975  | Guichard              |
| 3,905,361 A | 9/1975  | Hewson et al.         |
| 4,156,426 A | 5/1979  | Gold                  |
| 4,267,845 A | 5/1981  | Robertson, Jr. et al. |
| 4,273,124 A | 6/1981  | Zimmerman             |
| 4,312,359 A | 1/1982  | Olson                 |
| 4,367,735 A | 1/1983  | Dali                  |
| 4,367,816 A | 1/1983  | Wilkes                |
| 4,406,283 A | 9/1983  | Bir                   |
| 4,422,456 A | 12/1983 | Tiep                  |
| 4,493,614 A | 1/1985  | Chu et al.            |
| 4,549,542 A | 10/1985 | Chien                 |
| 4,587,967 A | 5/1986  | Chu et al.            |



# US D652,909 S

## U.S. PATENT DOCUMENTS

4,753,233	A	6/1988	Grimes	
4,774,946	A	10/1988	Ackerman et al.	
4,899,740	A	2/1990	Napolitano	
4,915,105	A	4/1990	Lee	
4,996,983	A	3/1991	AmRhein	
5,000,173	A	3/1991	Zalkin et al.	
5,022,900	A	6/1991	Bar-Yona et al.	
5,025,805	A	6/1991	Nutter	
5,038,772	A	8/1991	Kolbe et al.	
5,046,491	A	9/1991	Derrick	
5,074,297	A	12/1991	Venegas	
5,113,857	A	5/1992	Dickerman et al.	
5,121,745	A	6/1992	Israel	
5,127,397	A	7/1992	Kohnke	
5,137,017	A	8/1992	Salter	
D333,015	S	2/1993	Farmer et al.	
5,188,101	A	2/1993	Tumolo	
5,265,592	A	11/1993	Beaussant	
5,265,595	A	11/1993	Rudolph	
5,269,296	A	12/1993	Landis	
5,271,391	A	12/1993	Graves	
5,299,599	A	4/1994	Farmer et al.	
5,335,656	A	8/1994	Bowe et al.	
5,355,893	A	10/1994	Mick et al.	
5,372,130	A	12/1994	Stem et al.	
5,375,593	A	12/1994	Press	
D354,128	S *	1/1995	Rinehart	..... D24/110.1
5,385,141	A	1/1995	Granatiero	
5,394,568	A	3/1995	Brostrom et al.	
5,396,885	A	3/1995	Nelson	
5,398,676	A	3/1995	Press et al.	
5,400,776	A	3/1995	Bartholomew	
5,425,359	A	6/1995	Liou	
5,437,267	A	8/1995	Weinstein et al.	
5,509,409	A	4/1996	Weatherholt	
5,526,806	A	6/1996	Sansoni	
5,533,506	A	7/1996	Wood	
5,560,354	A	10/1996	Berthon-Jones et al.	
5,682,881	A	11/1997	Winthrop et al.	
5,740,799	A	4/1998	Nielsen	
5,794,619	A	8/1998	Edeiman et al.	
5,906,203	A	5/1999	Klockseth et al.	
5,954,049	A	9/1999	Foley et al.	
6,123,071	A	9/2000	Berthon-Jones et al.	
6,357,441	B1	3/2002	Kwok et al.	
6,431,172	B1	8/2002	Bordewick	
6,439,234	B1	8/2002	Curti et al.	
6,478,026	B1	11/2002	Wood	
6,561,188	B1	5/2003	Ellis	
6,561,193	B1	5/2003	Noble	
6,571,798	B1	6/2003	Thornton	
6,581,594	B1 *	6/2003	Drew et al.	..... 128/204.18
6,581,602	B2	6/2003	Kwok et al.	
D477,401	S *	7/2003	Petherbridge et al.	.... D24/110.1

6,595,214	B1	7/2003	Hecker et al.	
6,595,215	B2	7/2003	Wood	
6,637,434	B2	10/2003	Noble	
6,644,315	B2	11/2003	Ziaee	
6,655,385	B1	12/2003	Curti et al.	
6,679,265	B2	1/2004	Strickland et al.	
D486,907	S	2/2004	Guney et al.	
6,766,800	B2	7/2004	Chu et al.	
6,823,865	B2 *	11/2004	Drew et al.	..... 128/204.18
D542,407	S *	5/2007	Stallard et al.	..... D24/110.1
D558,334	S *	12/2007	Stallard et al.	..... D24/110.1
D567,364	S	4/2008	Smart	
D576,271	S	9/2008	Gunaratnam et al.	
D586,908	S *	2/2009	Stallard et al.	..... D24/110.1
D635,661	S *	4/2011	Stallard et al.	..... D24/110.1
2002/0046755	A1	4/2002	DeVoss	
2002/0124849	A1	9/2002	Billette De Villemeur	
2003/0079749	A1	5/2003	Strickland et al.	
2003/0196658	A1	10/2003	Ging et al.	
2004/0112384	A1	6/2004	Lithgow et al.	
2005/0028822	A1	2/2005	Sleeper et al.	
2005/0033247	A1	2/2005	Thompson	
2005/0051176	A1	3/2005	Riggins	
2005/0061326	A1	3/2005	Payne, Jr.	
2006/0124131	A1	6/2006	Chandran et al.	
2006/0283461	A1 *	12/2006	Lubke et al.	..... 128/207.11
2009/0151729	A1 *	6/2009	Judson et al.	..... 128/207.13
2011/0056497	A1 *	3/2011	Scheiner et al.	..... 128/206.24

## FOREIGN PATENT DOCUMENTS

DE	37 19 009	12/1988
DE	199 44 242	3/2001
EM	0 658 356	6/1995
GB	532214	1/1941
GB	2 368 533	5/2002
JP	463702	5/1971
JP	463703	6/1971
WO	WO 01/97892	12/2001
WO	WO 2005/063328	7/2005

## OTHER PUBLICATIONS

ResMed Co.—Mask Products—<http://resmed.com/portal/site/ResMedUS/index.jsp?...> viewed on Jul. 24, 2006.

Fisher and Paykel Co.—Product Family—<http://www.fphcare.com/osa/products.asp/> viewed on Jul. 24, 2006.

Hans Rudolph, Inc.—Mask Products—<http://www.rudolphkc.com/products.php?category=MASKS> viewed on Jul. 24, 2006.

Snapp Nasal Interface, Tiara Medical Systems, Inc.—[http://www.tiaramed.com/asp\\_shops/shopdisplayproducts.asp?id=109&cat=SNAPP%2A+Nasal+Interface](http://www.tiaramed.com/asp_shops/shopdisplayproducts.asp?id=109&cat=SNAPP%2A+Nasal+Interface) viewed on Jul. 24, 2006.

U.S. Appl. No. 60/634,802, filed Dec. 10, 2004.

U.S. Appl. No. 60/645,672, filed Jan. 21, 2005.

\* cited by examiner



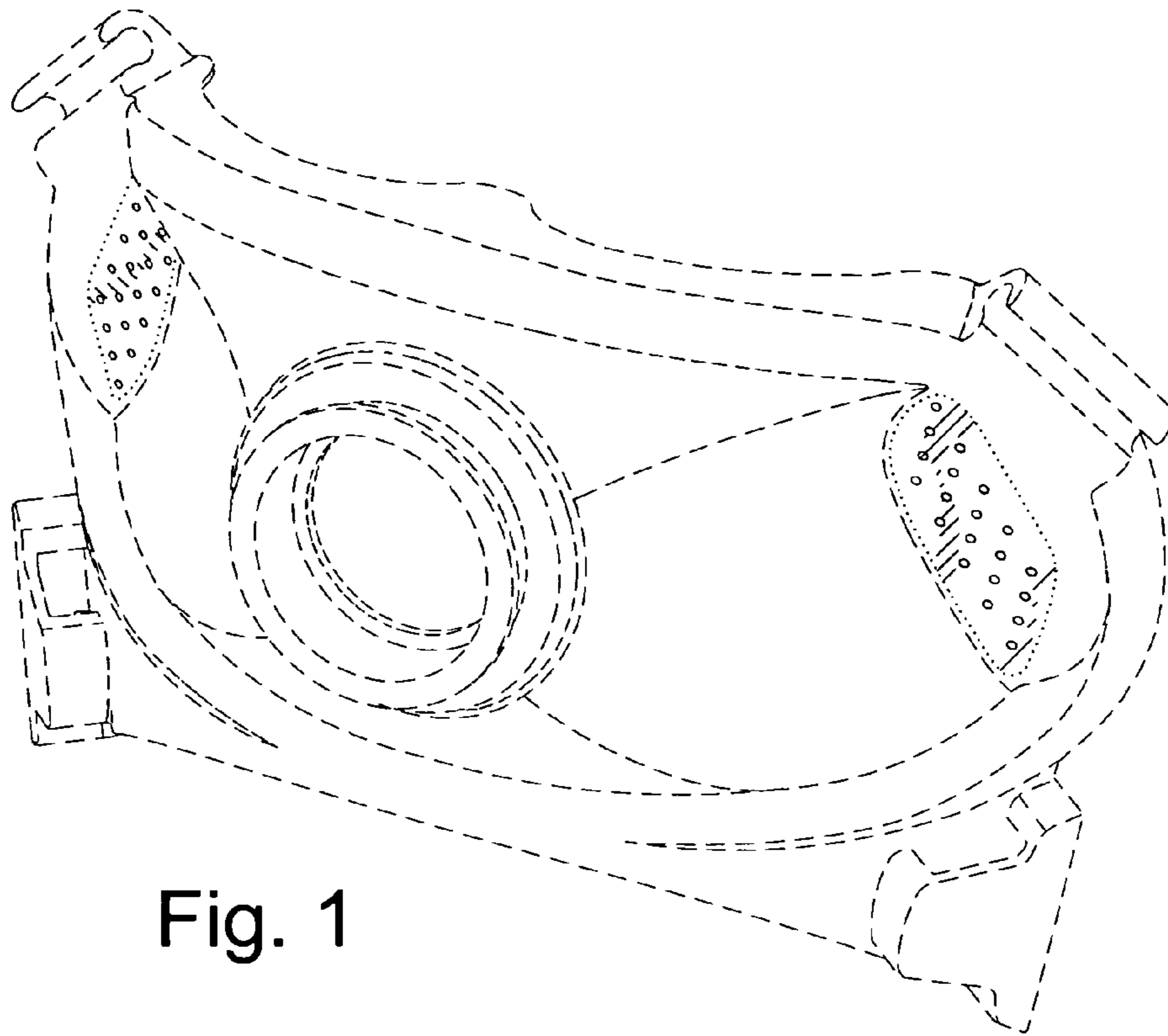


Fig. 1

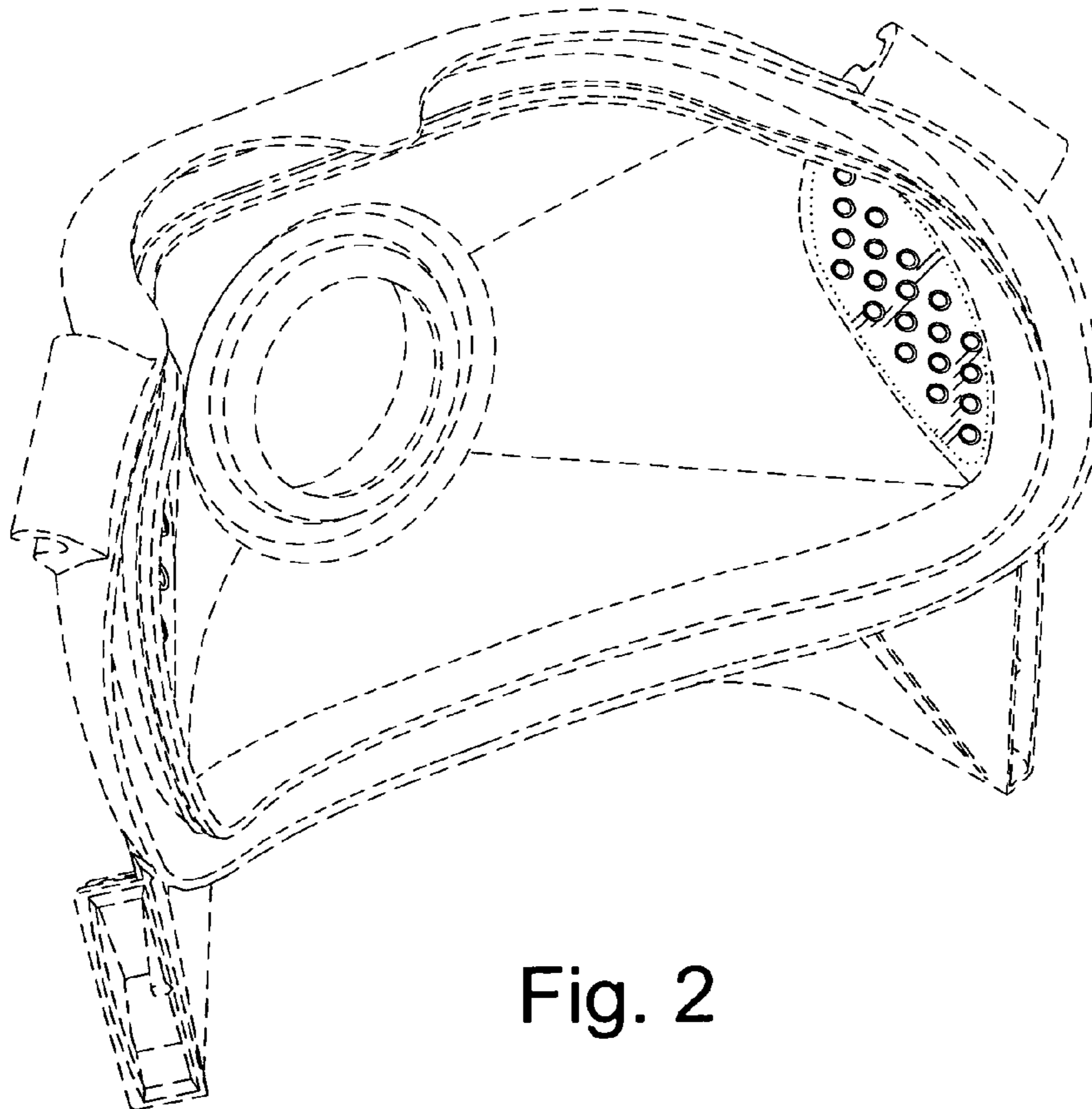


Fig. 2

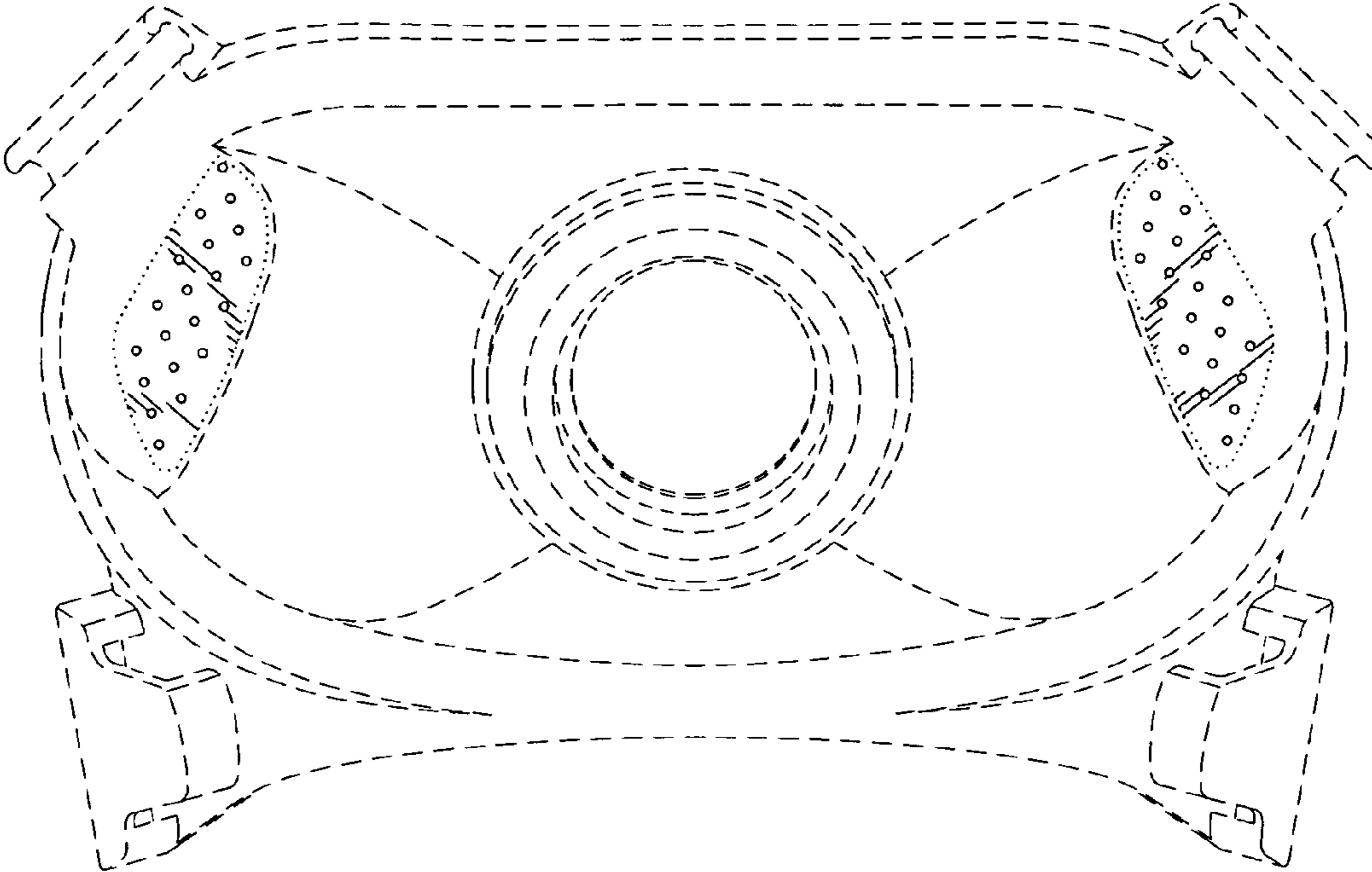


Fig. 3

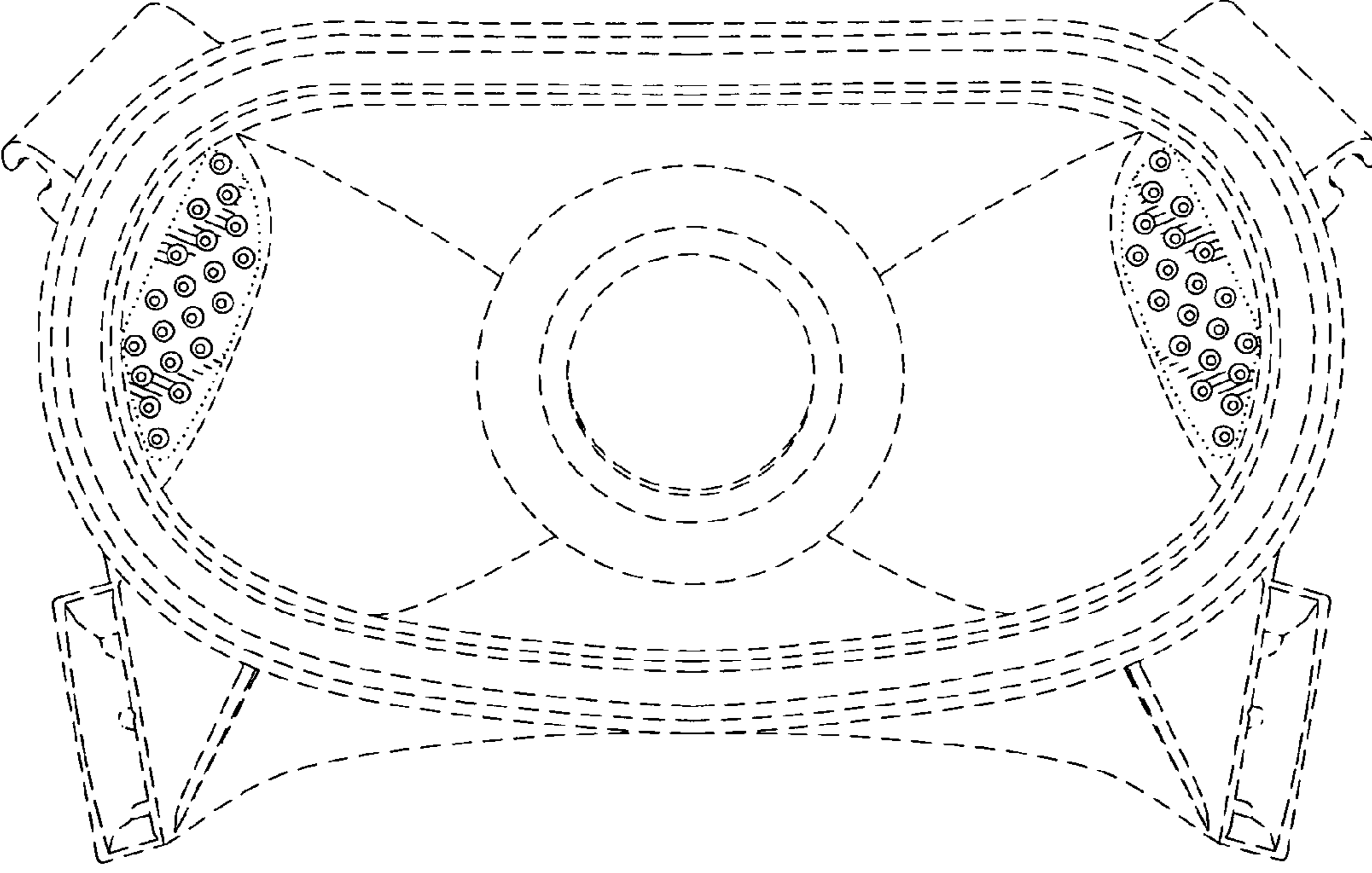


Fig. 4

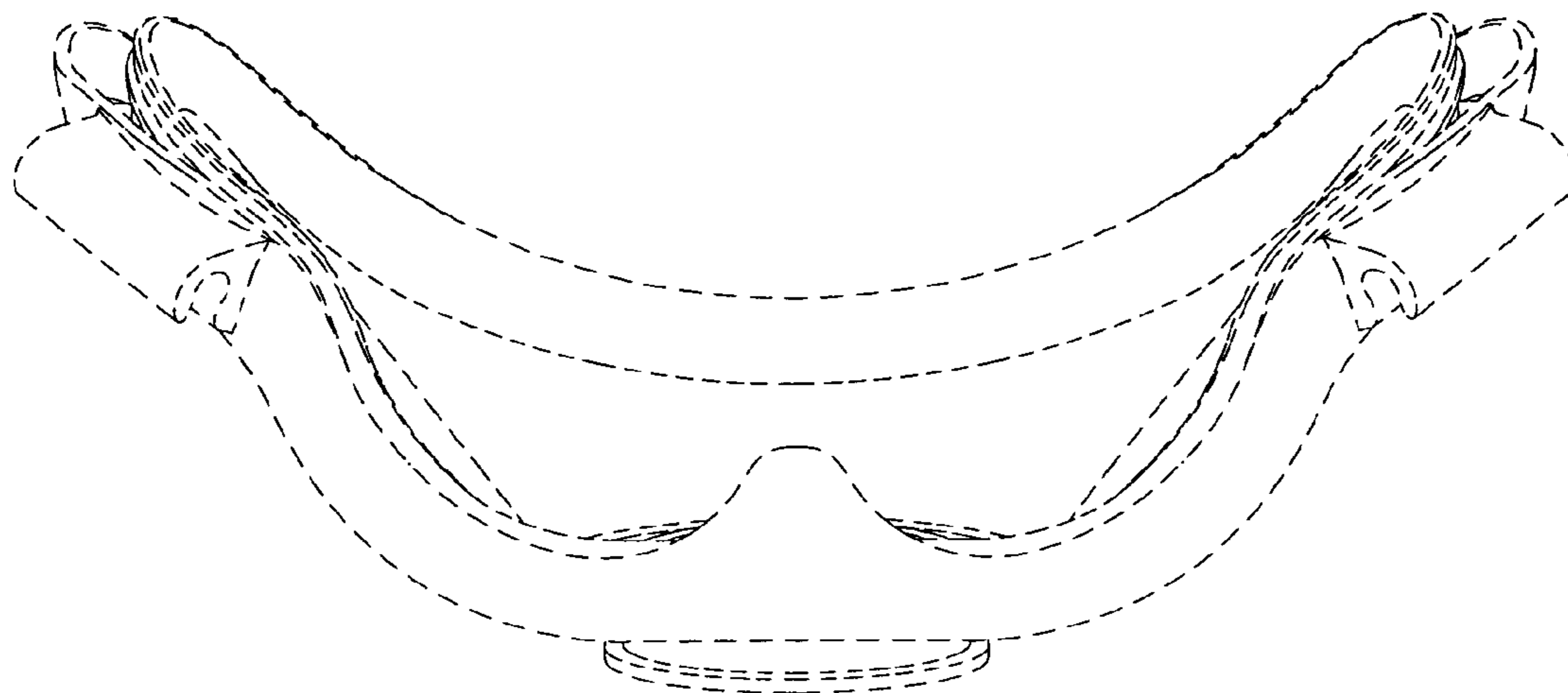


Fig. 5

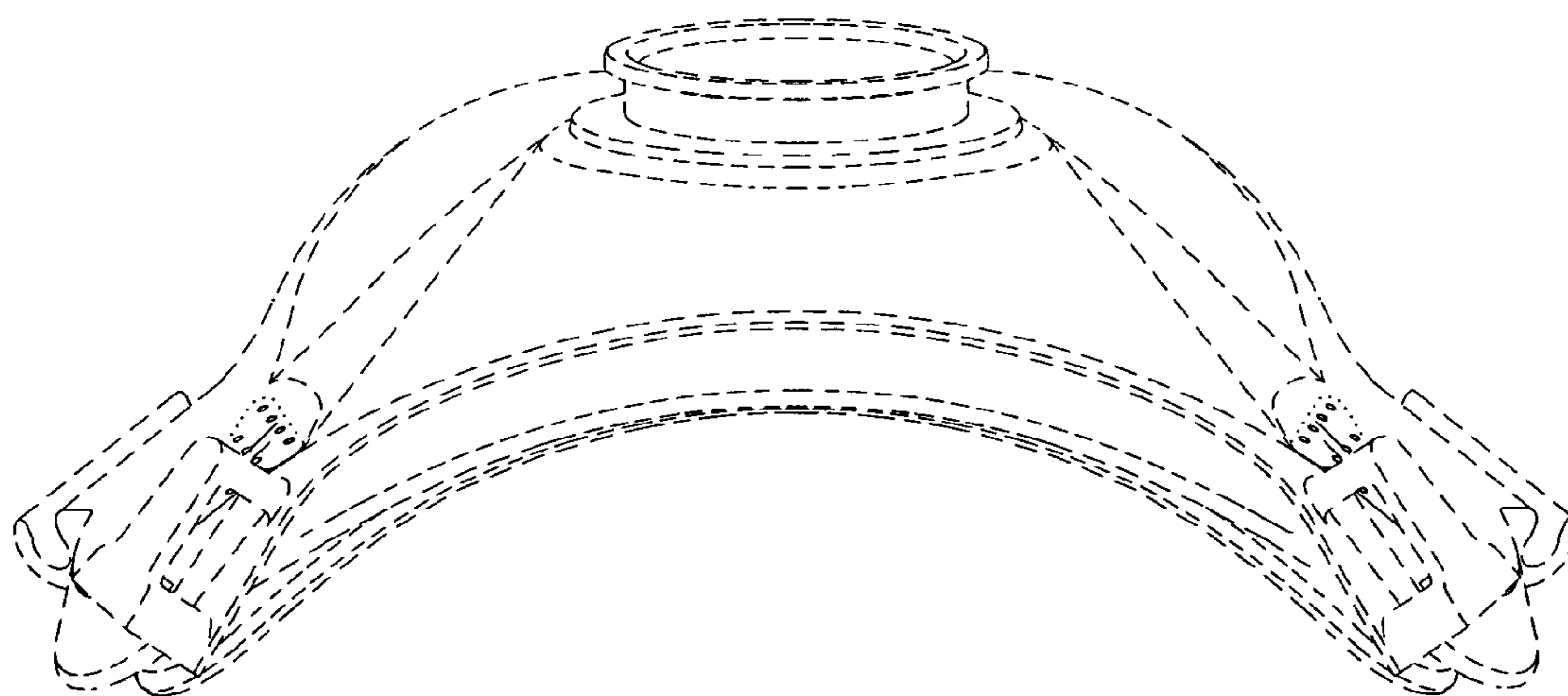


Fig. 6

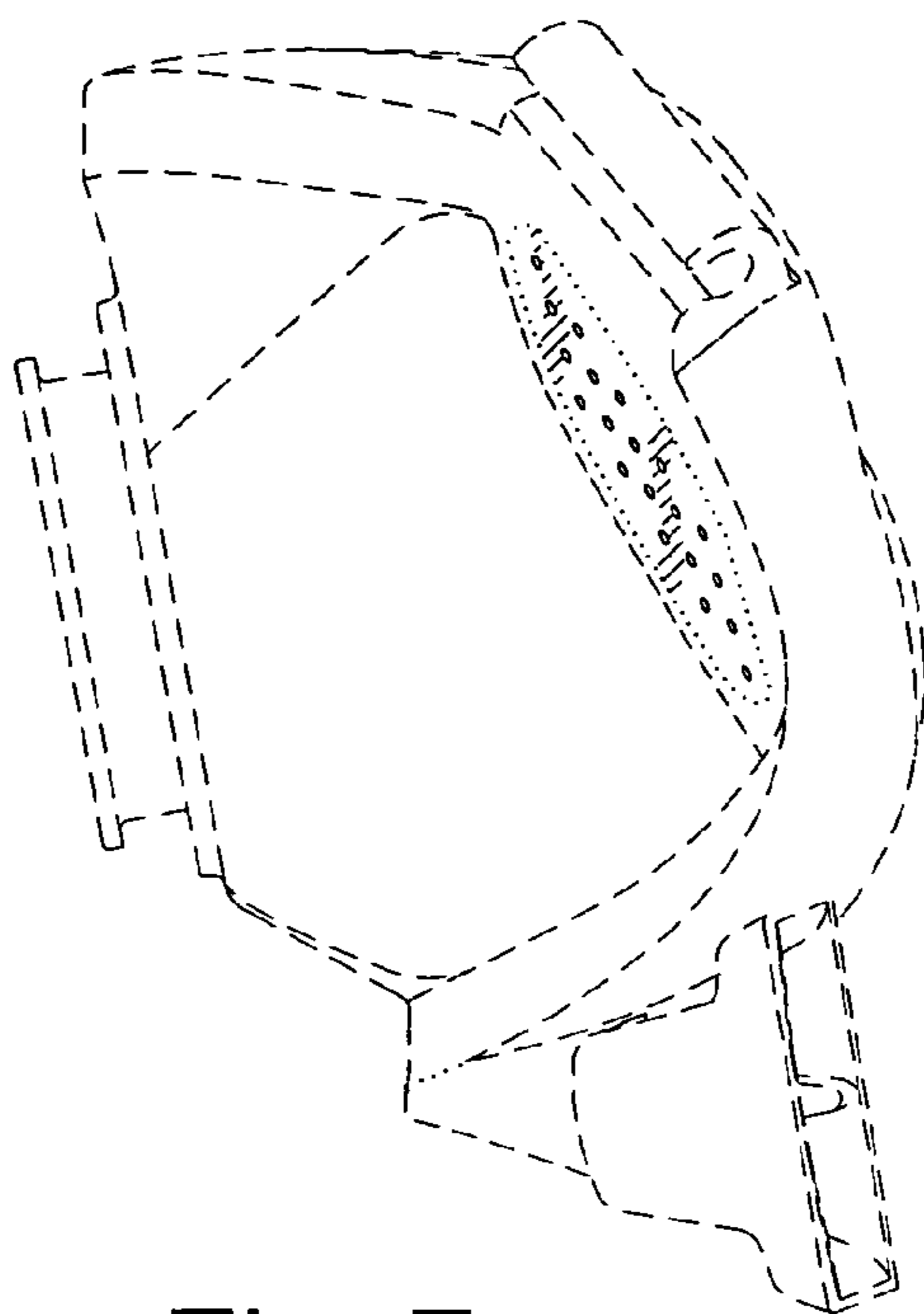


Fig. 7

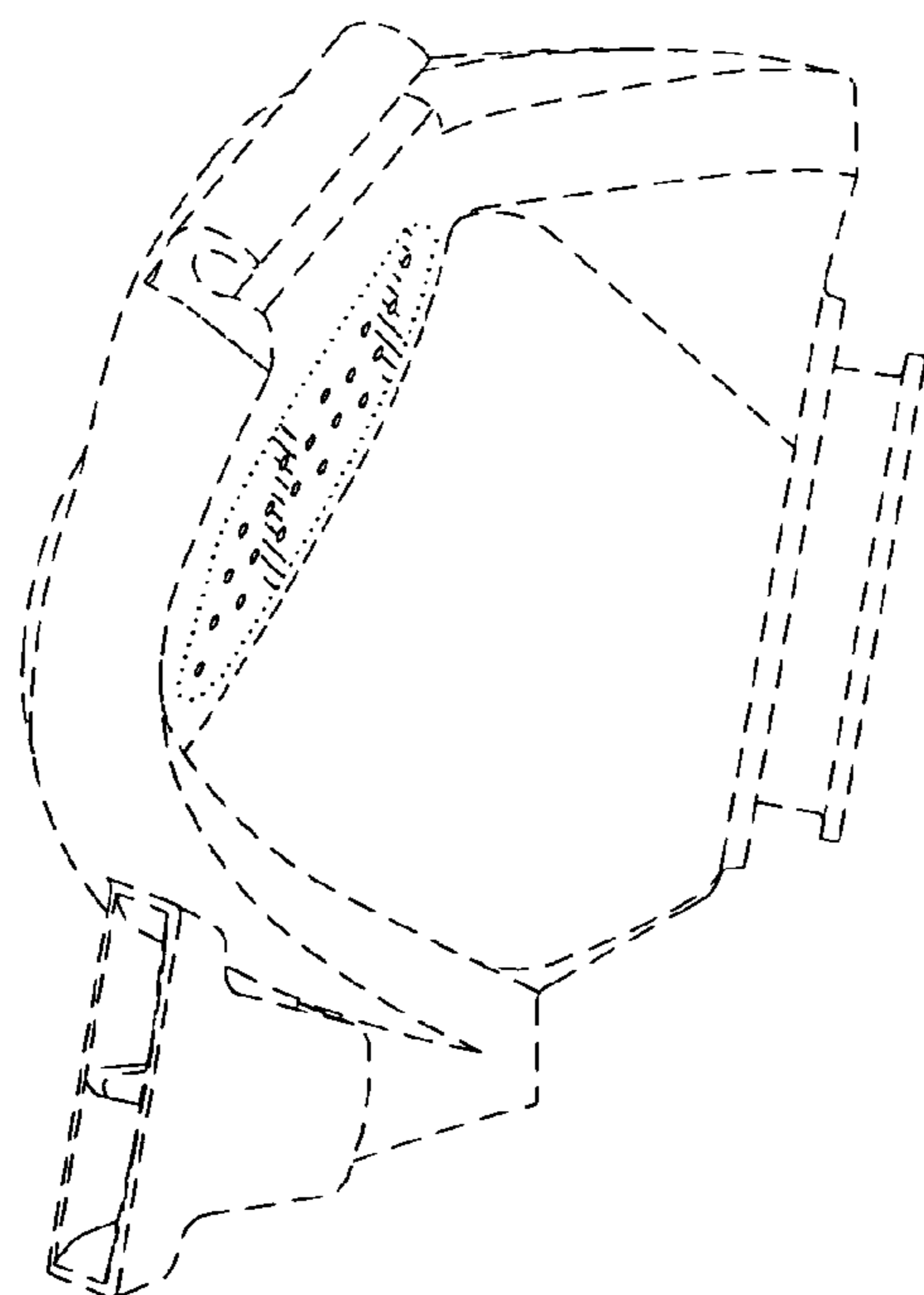


Fig. 8