



US00D652908S

(12) **United States Design Patent**  
**Eckstein et al.**

(10) **Patent No.:** **US D652,908 S**  
(45) **Date of Patent:** **\*\* Jan. 24, 2012**

(54) **INHALATION THERAPY NEBULISER**

(75) Inventors: **Stefan Eckstein**, Munich (DE);  
**Manuela Moldenau**, Munich (DE)

(73) Assignee: **PARI GmbH**, Starnberg (DE)

(\*\*) Term: **14 Years**

(21) Appl. No.: **29/389,379**

(22) Filed: **Apr. 11, 2011**

**Related U.S. Application Data**

(63) Continuation of application No. 29/245,709, filed on Dec. 28, 2005, now Pat. No. Des. 638,117.

(30) **Foreign Application Priority Data**

Jun. 28, 2005 (EM) ..... 000 371 695

(51) **LOC (9) Cl.** ..... **29-02**

(52) **U.S. Cl.** ..... **D24/110**

(58) **Field of Classification Search** ..... D24/110,  
D24/110.5, 129, 164; D9/435, 447, 448,  
D9/449; 128/200.14, 200.18, 200.21, 200.22,  
128/200.23, 203.12, 203.15, 203.21, 911  
See application file for complete search history.

(56) **References Cited**

**U.S. PATENT DOCUMENTS**

2,785,923	A	2/1955	Hickman	
D244,057	S	4/1977	Aul et al.	
4,595,002	A	6/1986	Michaels et al.	
4,767,576	A	8/1988	Bagwell	
4,823,784	A *	4/1989	Bordoni et al.	128/200.14
D300,896	S	5/1989	Hagan et al.	

D315,602	S	3/1991	Howe	
D331,281	S	11/1992	Levine	
5,170,782	A *	12/1992	Kocinski	128/200.16
D337,636	S	7/1993	Kocinski	
D411,616	S	6/1999	Retallick, III	
D431,634	S	10/2000	Mantz	
D441,069	S	4/2001	Hammarlund et al.	
D480,305	S	10/2003	Nusbaum et al.	
D534,801	S	1/2007	McMurrey et al.	

\* cited by examiner

*Primary Examiner* — Ian Simmons

*Assistant Examiner* — Christopher Lee

(74) *Attorney, Agent, or Firm* — Wolf, Greenfield & Sacks, P.C.

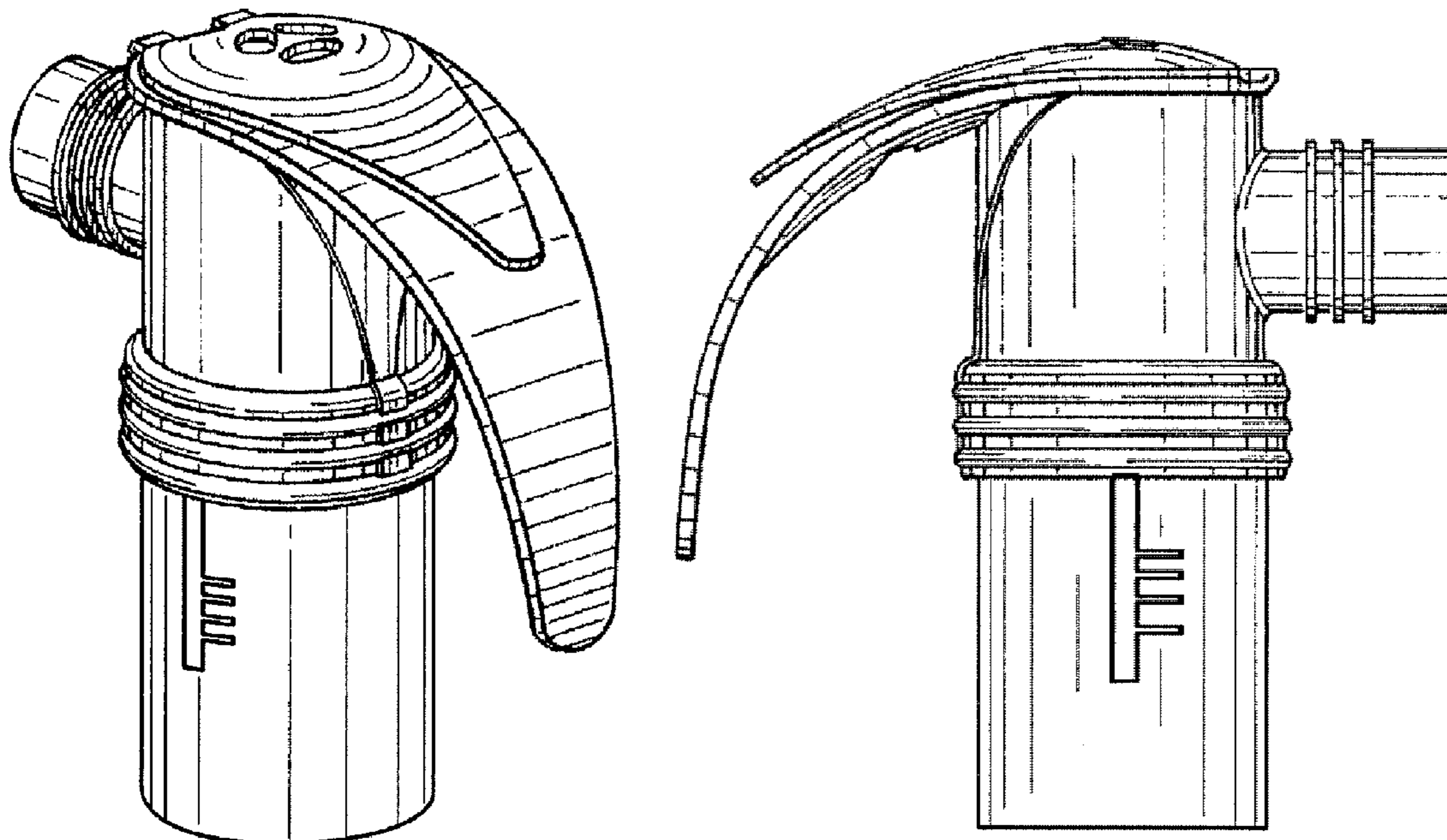
(57) **CLAIM**

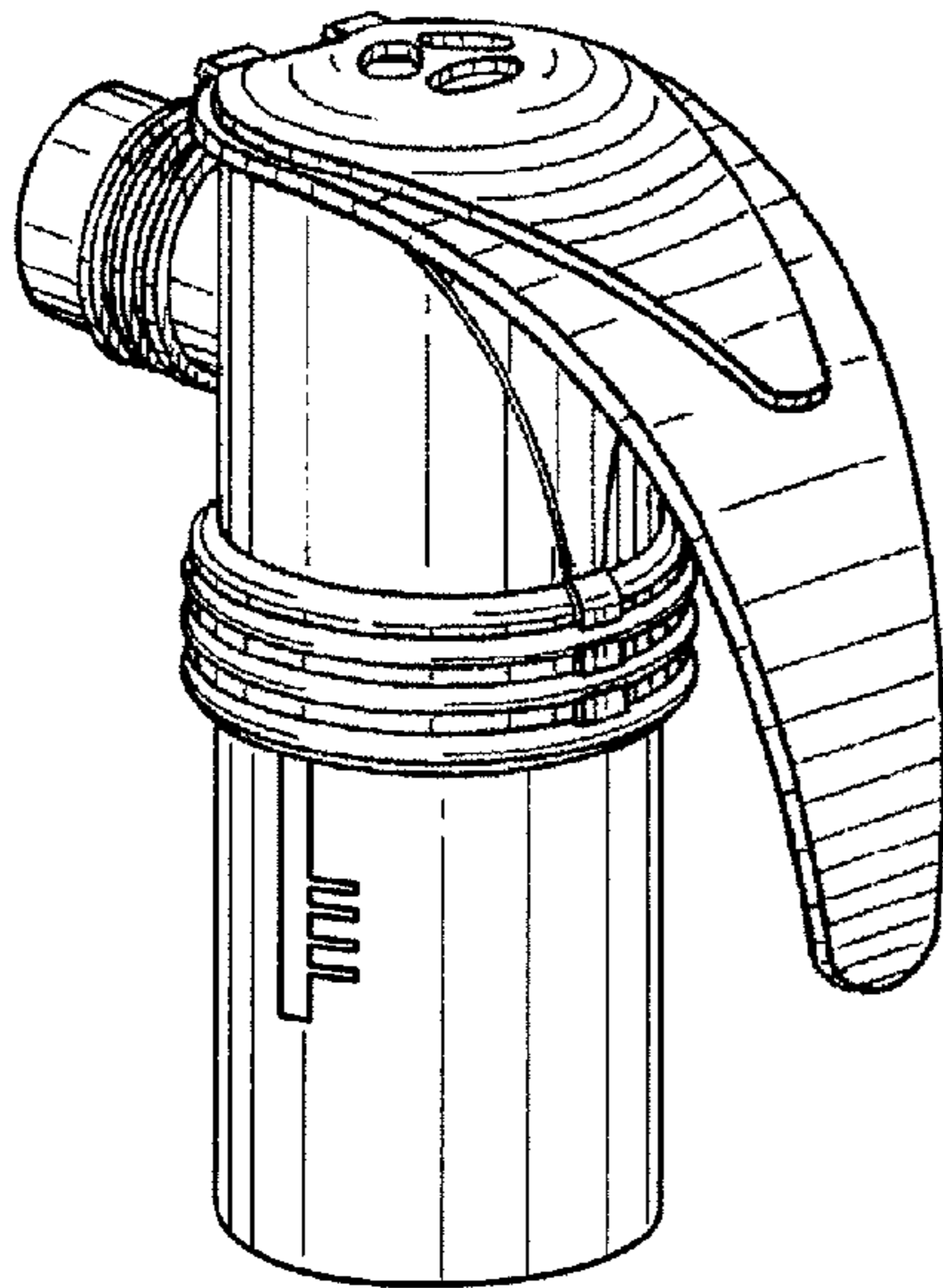
The ornamental design for an inhalation therapy nebuliser, as shown and described.

**DESCRIPTION**

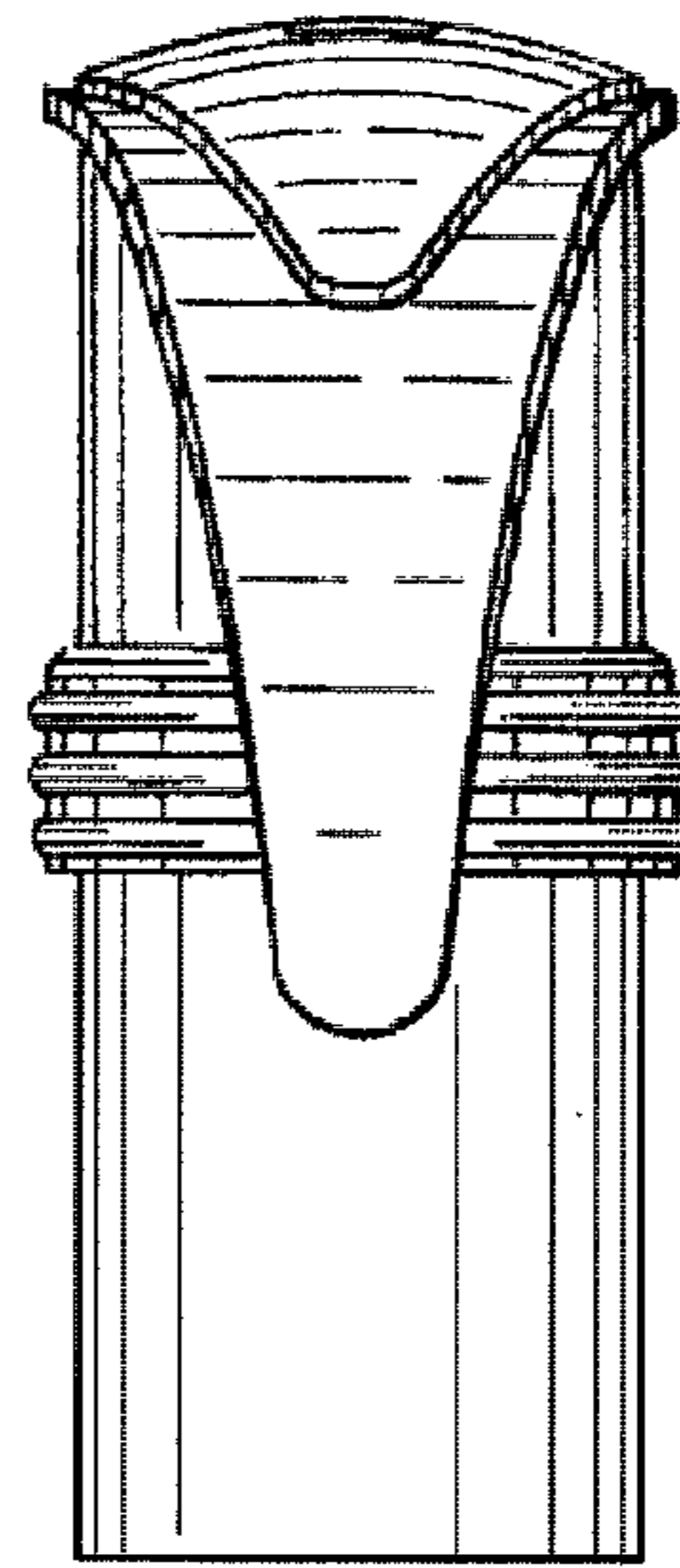
FIG. 1 is a top, rear right side perspective view of the inhalation therapy nebuliser;  
 FIG. 2 is rear elevational view of the inhalation therapy nebuliser;  
 FIG. 3 is a right side elevational view of the inhalation therapy nebuliser;  
 FIG. 4 is a left side elevational view of the inhalation therapy nebuliser;  
 FIG. 5 is a front elevational view of the inhalation therapy nebuliser;  
 FIG. 6 is a top plan view of the inhalation therapy nebuliser;  
 FIG. 7 is bottom plan view of the inhalation therapy nebuliser;  
 and,  
 FIG. 8 is a top, rear right side perspective view of the inhalation therapy nebuliser with a cover open.

**1 Claim, 2 Drawing Sheets**

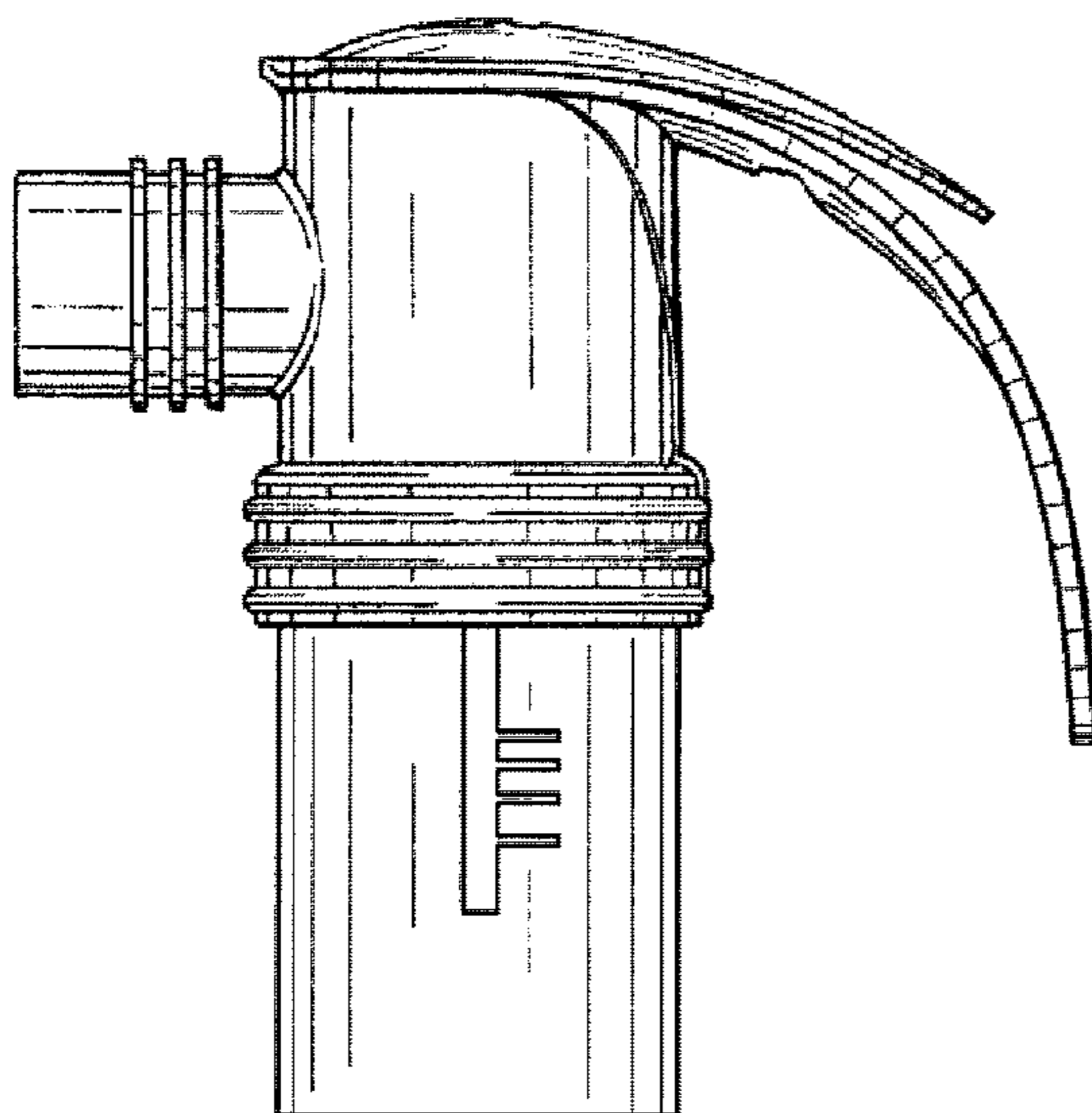




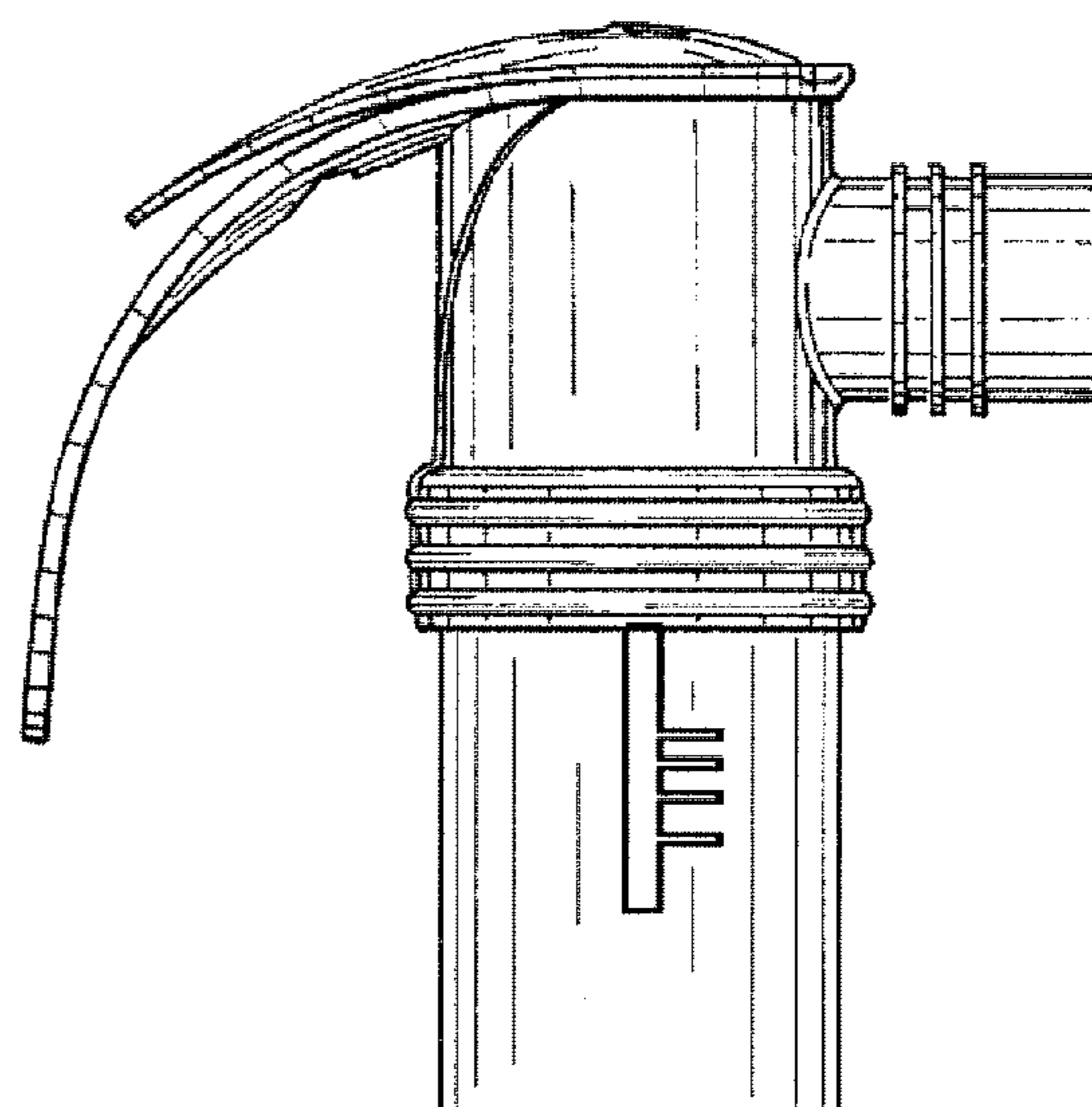
*Fig. 1*



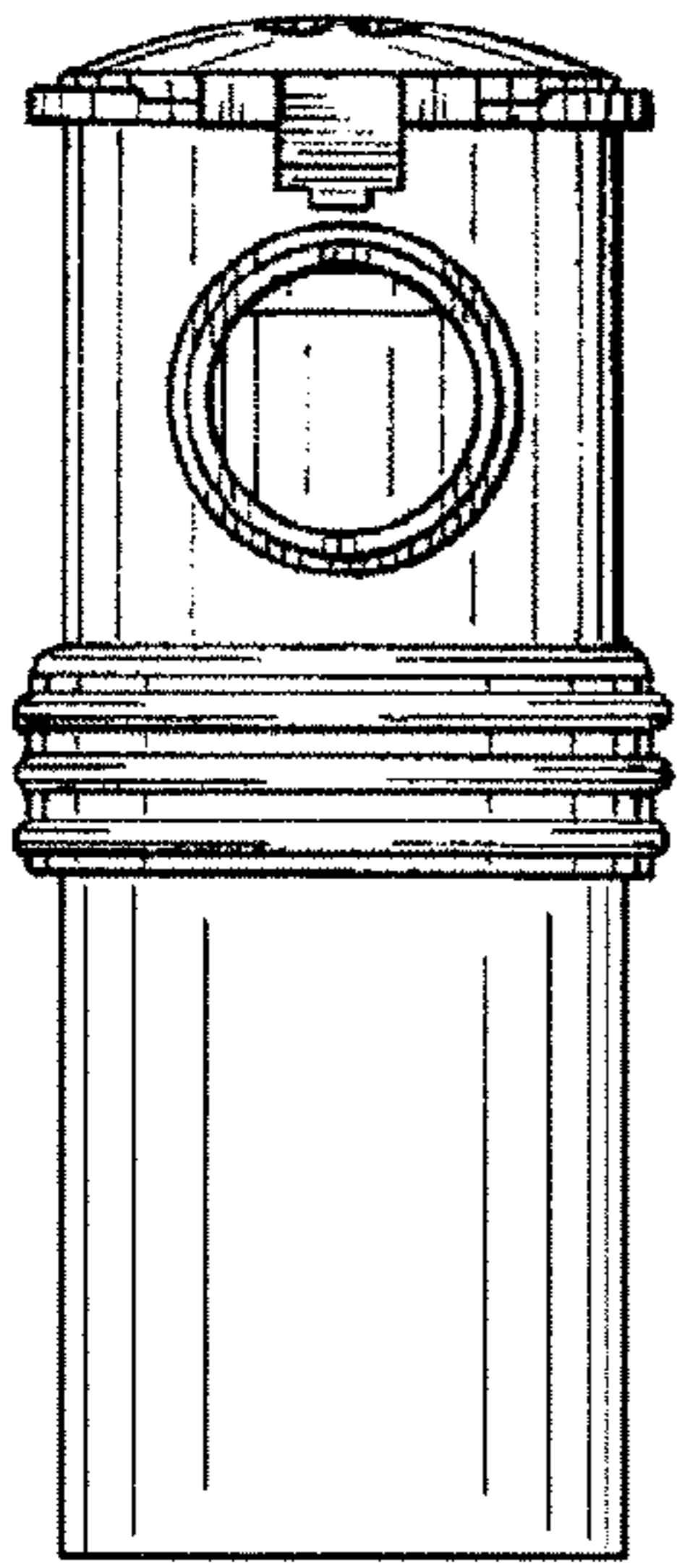
*Fig. 2*



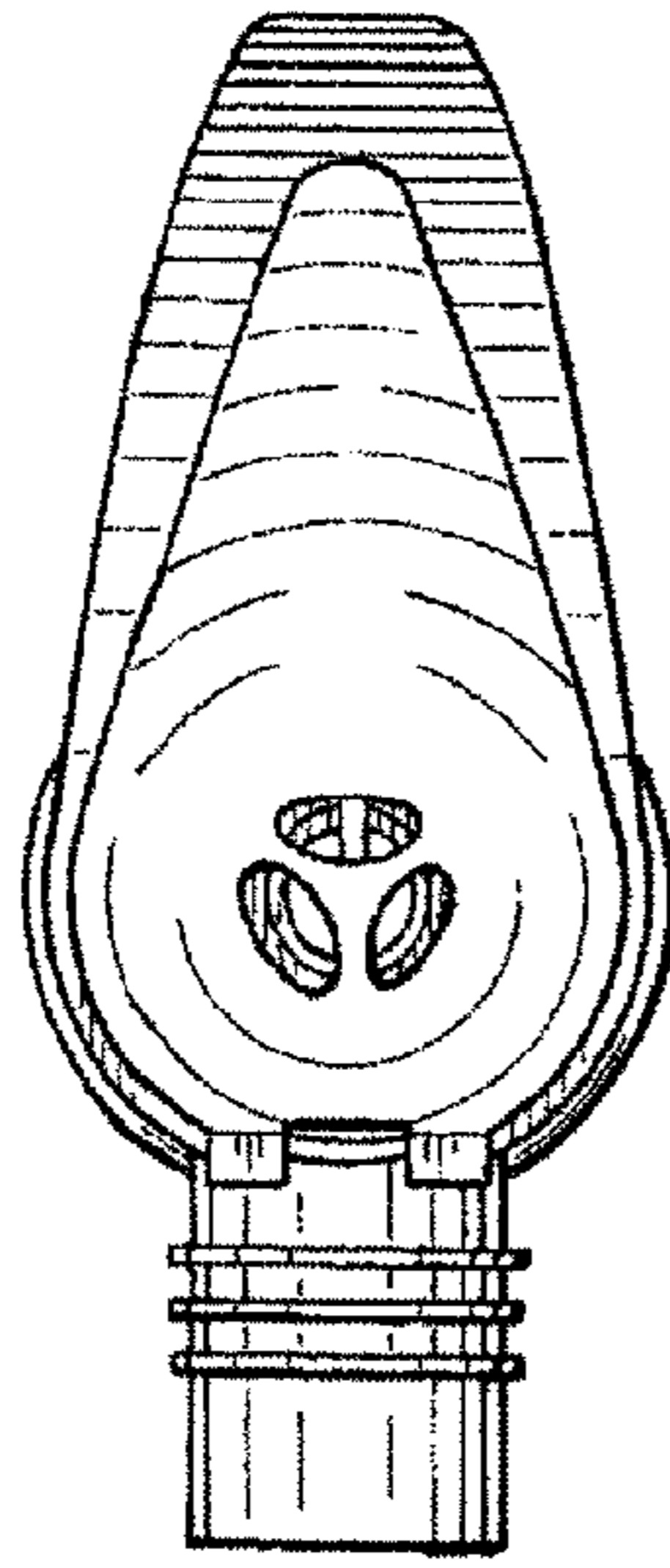
*Fig. 3*



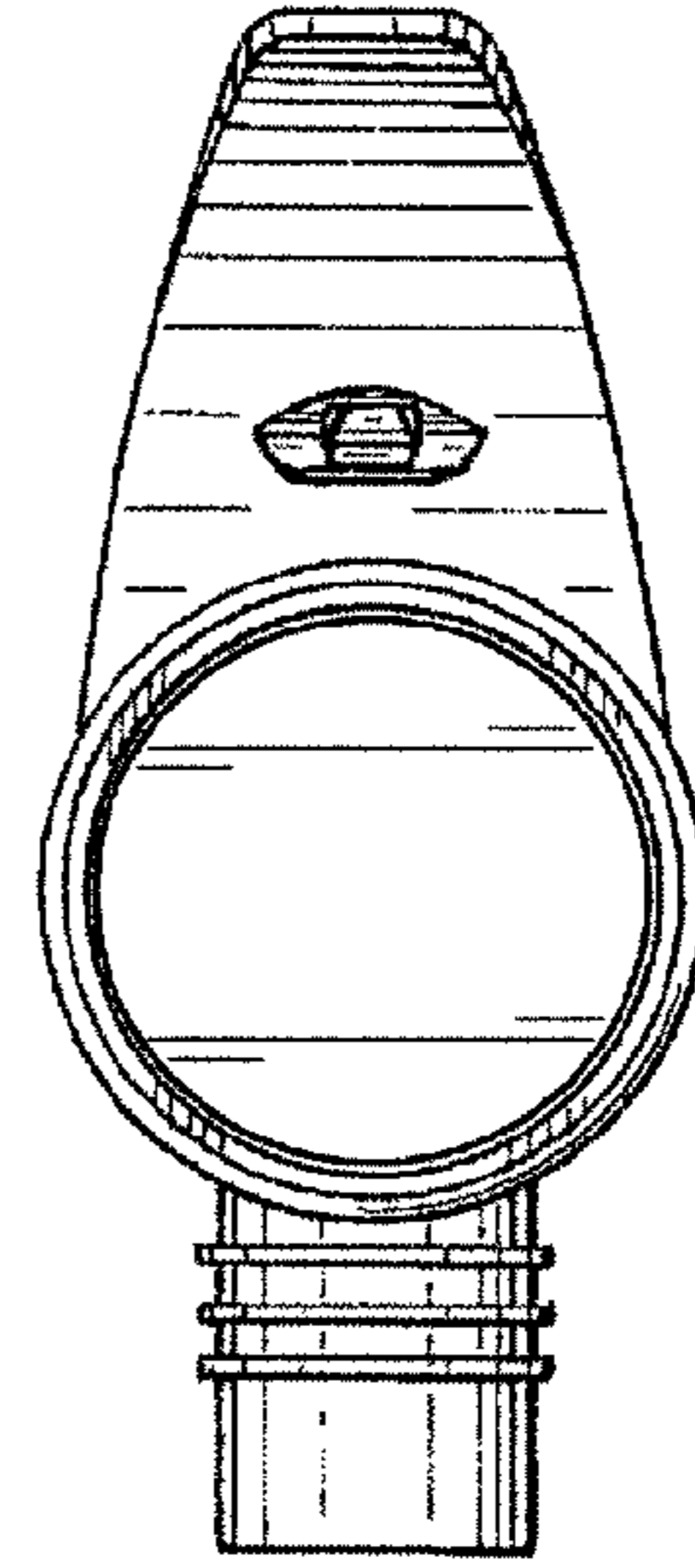
*Fig. 4*



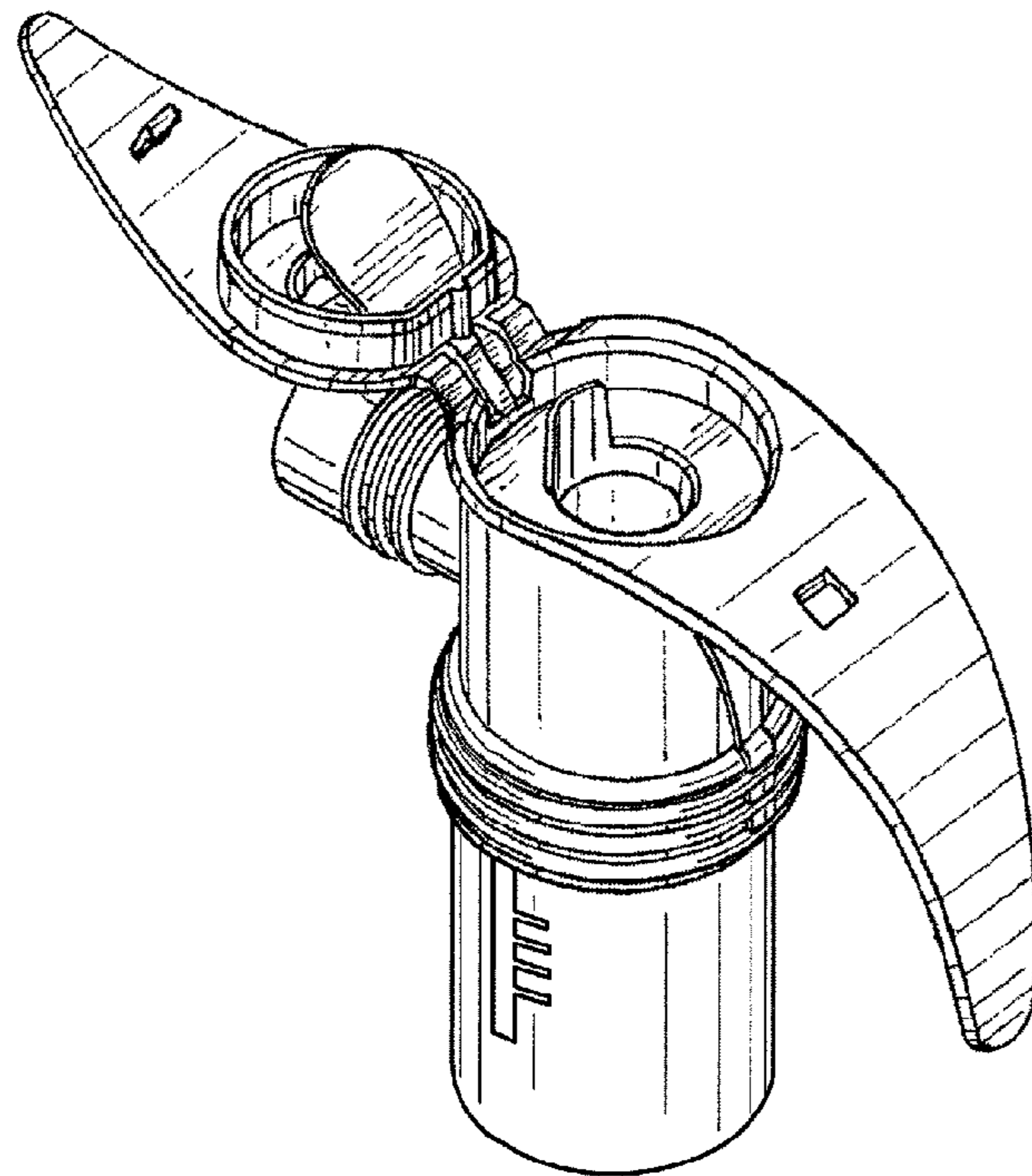
*Fig. 5*



*Fig. 6*



*Fig. 7*



*Fig. 8*