



US00D652905S

(12) **United States Design Patent**  
**Mandell et al.**

(10) **Patent No.:** **US D652,905 S**  
(45) **Date of Patent:** **\*\* Jan. 24, 2012**

- (54) **DIFFUSER**
- (75) Inventors: **Jonathan N. Mandell**, Gurnee, IL (US);  
**George Kyaw Soe Maung Aye**,  
Chicago, IL (US); **Dan Kraemer**,  
Chicago, IL (US)
- (73) Assignee: **S.C. Johnson & Son, Inc.**, Racine, WI  
(US)
- (\*\*) Term: **14 Years**
- (21) Appl. No.: **29/369,527**
- (22) Filed: **Sep. 9, 2010**
- (51) **LOC (9) Cl.** ..... **28-99**
- (52) **U.S. Cl.** ..... **D23/366**
- (58) **Field of Classification Search** ..... D23/355-369;  
D28/5, 6; 261/DIG. 17, DIG. 42, DIG. 65,  
261/DIG. 88, DIG. 89; 392/386, 390-395;  
239/34, 35, 44-47, 50, 53, 56, 60, 145, 326  
See application file for complete search history.

D542,902 S	5/2007	Caserta et al.	
D542,903 S	5/2007	Caserta et al.	
D548,318 S *	8/2007	Copeman	D23/366
D555,480 S	11/2007	Nicosia et al.	
D556,311 S *	11/2007	Copeman	D23/366
D561,319 S *	2/2008	Weggelaar	D23/366
D562,958 S	2/2008	Feriani et al.	
D574,941 S *	8/2008	Weggelaar	D23/366
D582,025 S	12/2008	Zobelet et al.	
D582,531 S	12/2008	Israel et al.	
D584,808 S	1/2009	Moreno Perez et al.	
D586,900 S *	2/2009	Weggelaar	D23/366
D596,729 S *	7/2009	Langley et al.	D23/366
D596,730 S *	7/2009	Langley et al.	D23/366
D604,402 S	11/2009	Tomas Vilarasa et al.	
D604,823 S	11/2009	Schwartz et al.	
D604,824 S	11/2009	Paolazzi et al.	
D605,272 S	12/2009	Chun et al.	
D608,435 S *	1/2010	Zobelet et al.	D23/366
D625,797 S *	10/2010	Poves et al.	D23/366
D626,205 S *	10/2010	Fabregas et al.	D23/366
D628,283 S *	11/2010	Valentino et al.	D23/366

\* cited by examiner

**OTHER PUBLICATIONS**

Attached photographs depict a device found in a Spanish grocery store (Mercadona) in 2010, 3 pages.

*Primary Examiner* — Sandra Snapp

(56) **References Cited**

**U.S. PATENT DOCUMENTS**

D332,836 S	1/1993	Ham	
D334,642 S	4/1993	Allen	
D374,294 S	10/1996	Yuen	
D407,477 S	3/1999	Chen	
D431,660 S	10/2000	Yuen	
D432,222 S *	10/2000	Rymer et al.	D23/366
D433,744 S *	11/2000	Basaganas	D23/366
D437,636 S	2/2001	Basaganas	
D453,560 S *	2/2002	Van Brunt	D23/355
D461,549 S *	8/2002	Garcia	D23/360
D501,676 S	2/2005	Millan	
D510,423 S	10/2005	Caserta et al.	
D518,160 S	3/2006	Normark	
D529,162 S *	9/2006	Bulsink	D23/366
D534,265 S *	12/2006	Weggelaar	D23/366
D534,642 S	1/2007	Caserta et al.	
D535,735 S *	1/2007	Ruiz Ballesteros et al.	D23/366

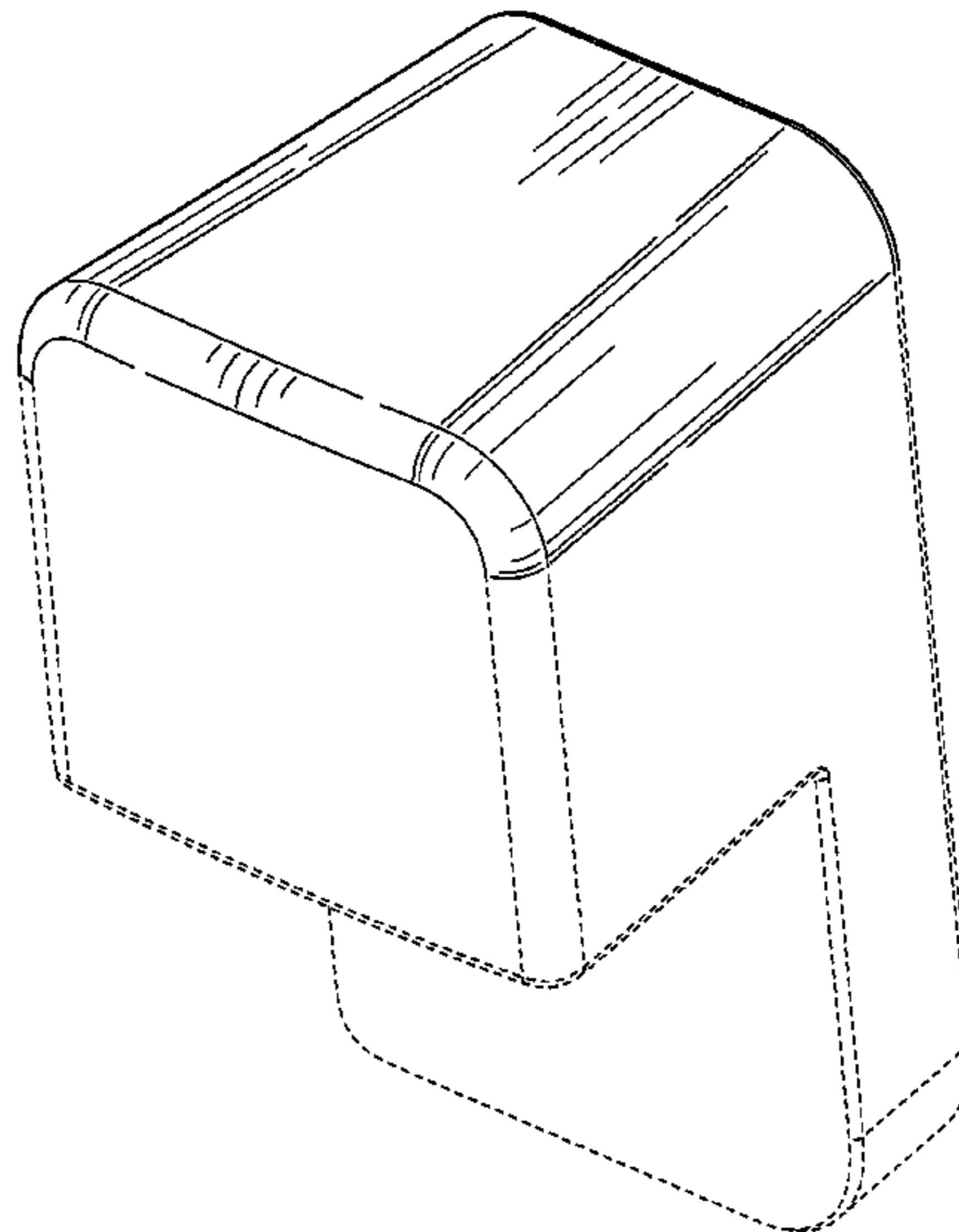
(57) **CLAIM**

The ornamental design for a diffuser, as shown and described.

**DESCRIPTION**

FIG. 1 is a top perspective view of a diffuser; FIG. 2 is a top plan view of the diffuser of FIG. 1; and, FIG. 3 is a bottom plan view of the diffuser of FIG. 2. The subject matter shown in the figures above in dashed lines forms no part of the claimed invention. Further, the bottom view forms no part of the claimed invention.

**1 Claim, 3 Drawing Sheets**



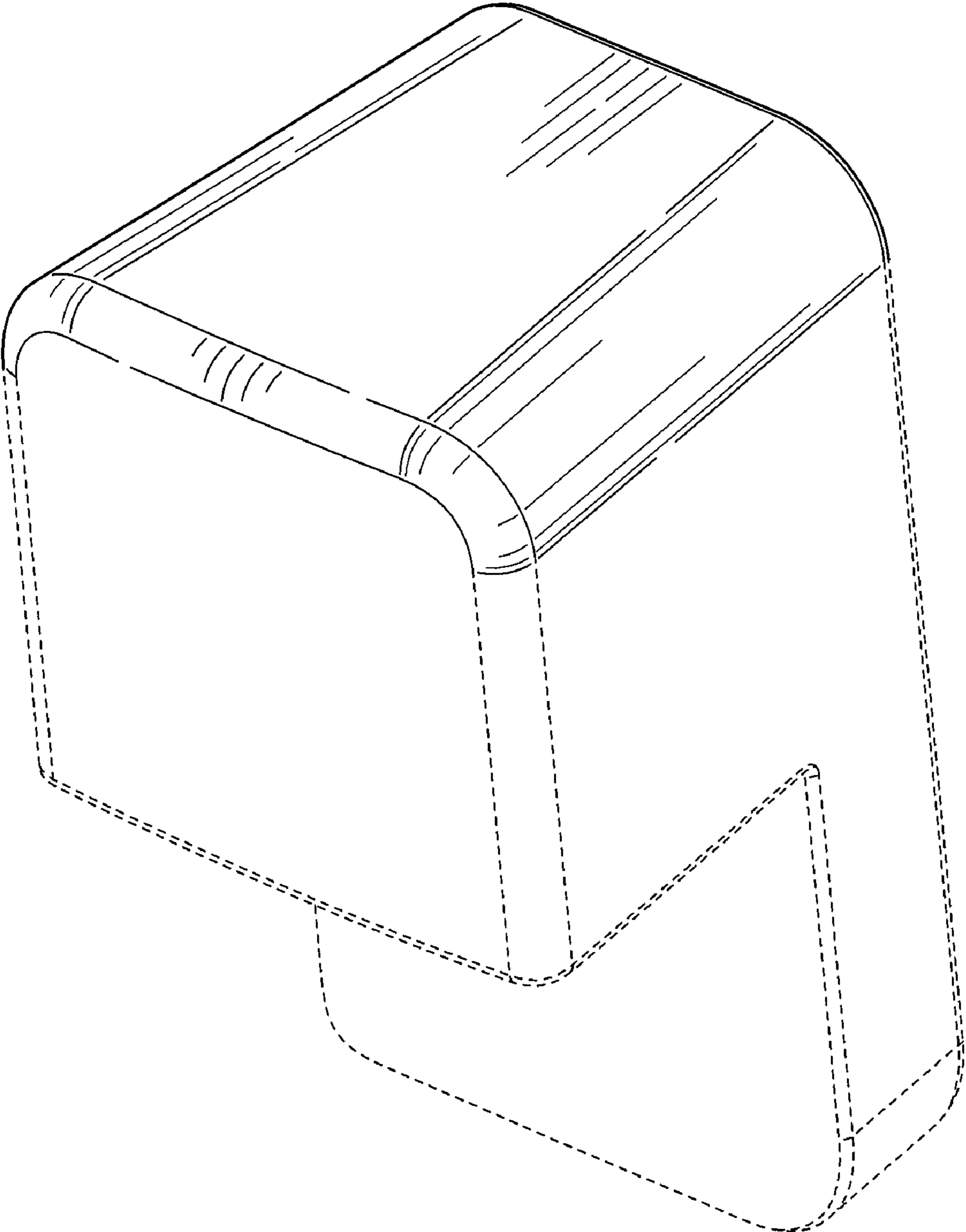


FIG. 1

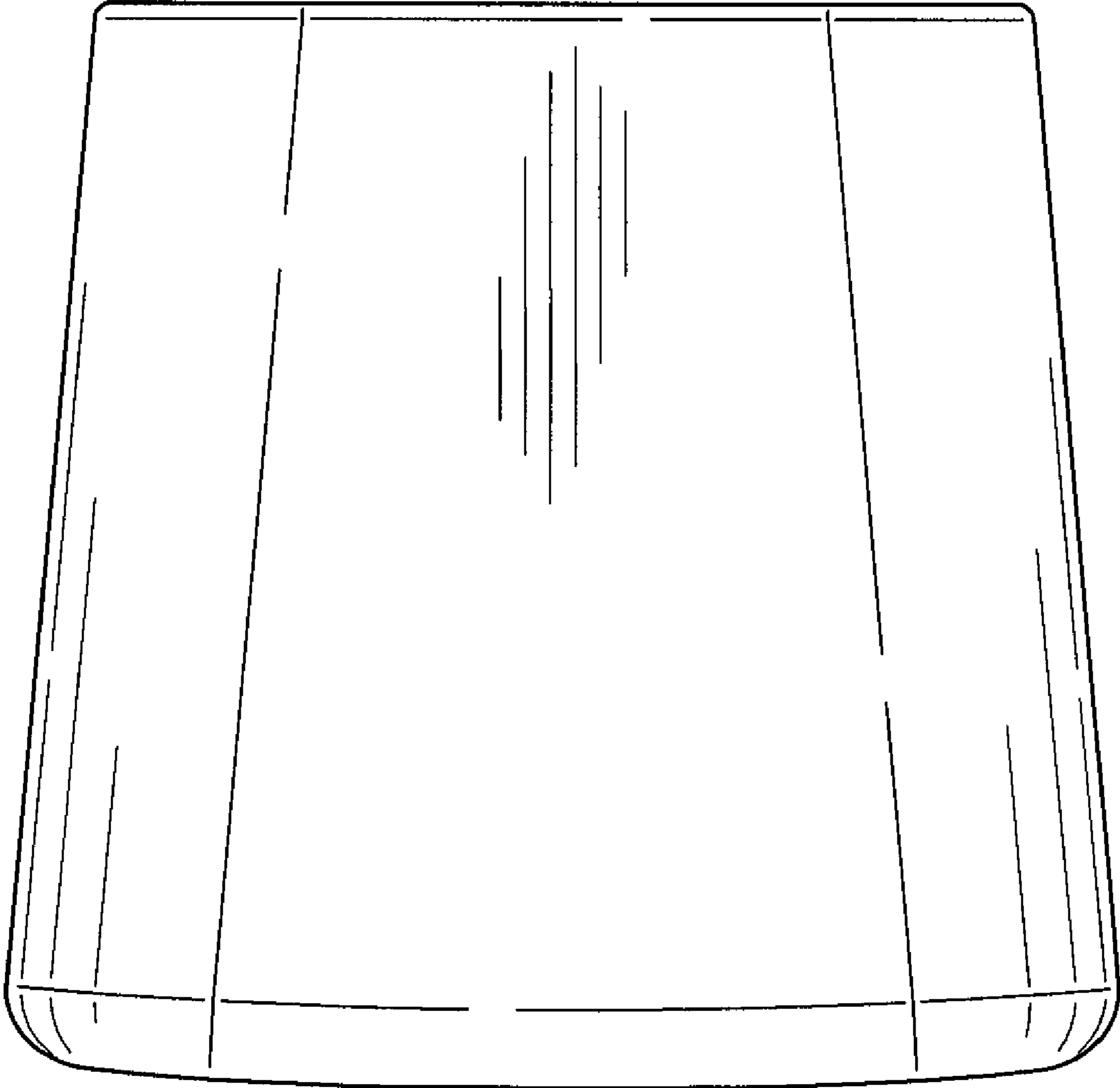
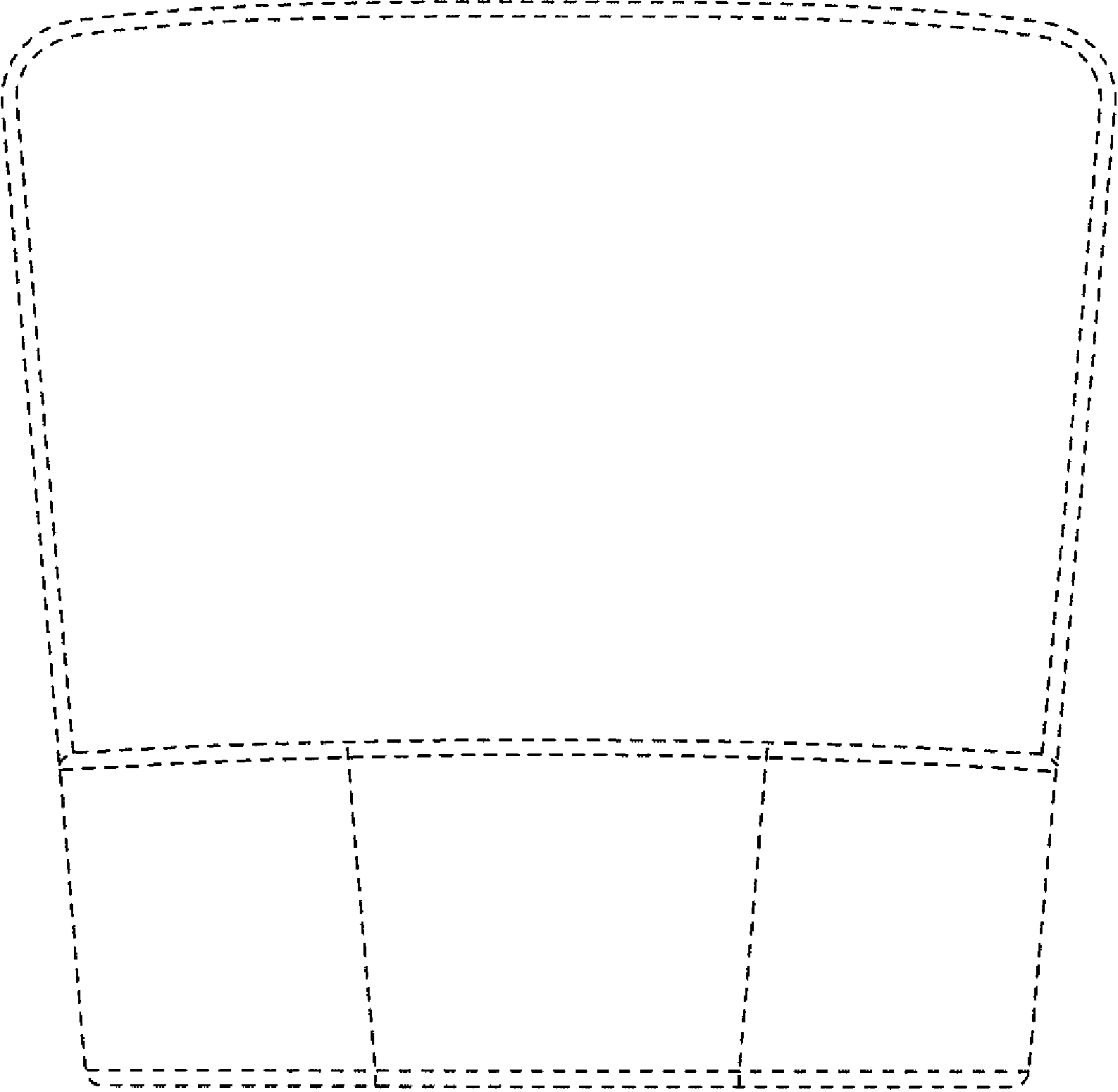


FIG. 2



**FIG. 3**