



US00D652904S

(12) **United States Design Patent**  
**Sisk**

(10) **Patent No.:** **US D652,904 S**

(45) **Date of Patent:** **\*\* Jan. 24, 2012**

(54) **AIR FILTER INLET/OUTLET HOUSING**

(75) Inventor: **David E. Sisk**, Bonne Terre, MO (US)

(73) Assignee: **Bulk Tank, Inc**, Park Hills, MO (US)

(\*\*) Term: **14 Years**

(21) Appl. No.: **29/373,511**

(22) Filed: **Apr. 18, 2011**

(51) **LOC (9) Cl.** ..... **23-04**

(52) **U.S. Cl.** ..... **D23/365**

(58) **Field of Classification Search** ..... D23/365,  
D23/209, 363, 358, 386, 354, 341, 364, 332;  
55/385.3, 502, 497, 506, 505, 521, 495, 422,  
55/493, DIG. 30; 210/435, 130, 136, 248,  
210/339, 448, 452, 497.1; D32/31; D15/5  
See application file for complete search history.

(56) **References Cited**

**U.S. PATENT DOCUMENTS**

4,365,980	A	*	12/1982	Culbert et al.	.....	55/502
D273,324	S	*	4/1984	Brownlee	.....	D23/386
D315,597	S	*	3/1991	Botheras et al.	.....	D23/332
D402,024	S	*	12/1998	Dudley	.....	D23/365
D504,943	S	*	5/2005	Dudley	.....	D23/365
D554,249	S	*	10/2007	Holmgren	.....	D23/386
D557,788	S	*	12/2007	Eloranta	.....	D23/386

D579,077	S	*	10/2008	Quintel	.....	D23/209
D582,002	S	*	12/2008	Suthmann	.....	D23/209
D591,825	S	*	5/2009	Quintel	.....	D23/209
D599,432	S	*	9/2009	Buesseler et al.	.....	D23/209
D600,775	S	*	9/2009	Schmitt et al.	.....	D23/209
D638,514	S	*	5/2011	Farley	.....	D23/209

\* cited by examiner

*Primary Examiner* — David Muller

(74) *Attorney, Agent, or Firm* — Paul M Denk

(57) **CLAIM**

The ornamental design for the air filter inlet/outlet housing, as shown and described.

**DESCRIPTION**

FIG. 1 is an isometric view of the air filter inlet/outlet housing of this invention;

FIG. 2 is an end view of the air filter housing;

FIG. 3 is an opposite end view of the air filter housing;

FIG. 4 is a left side view;

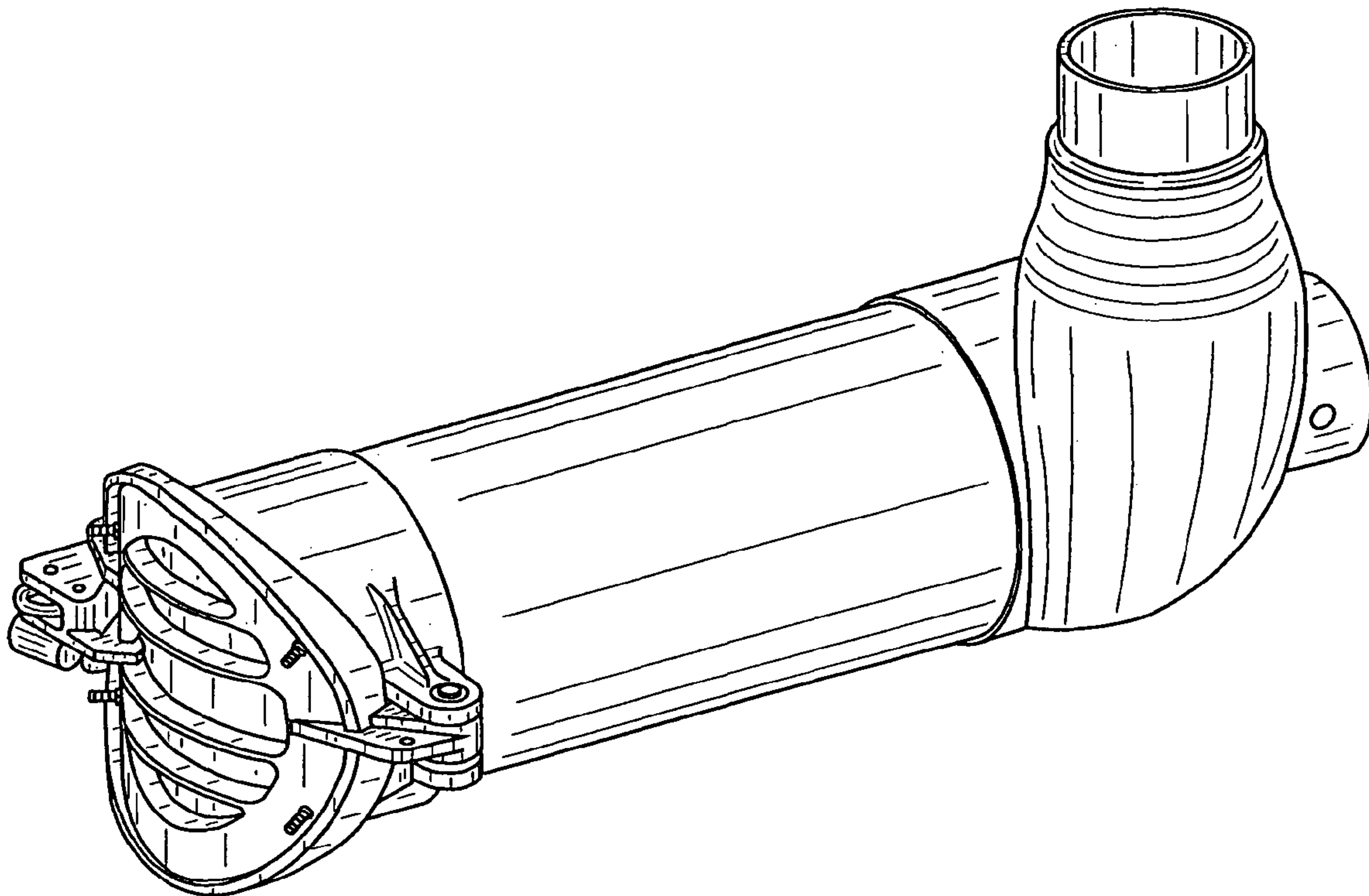
FIG. 5 is a right side view;

FIG. 6 is a top view; and,

FIG. 7 is a bottom view thereof.

The dash dot lines immediately adjacent to the claimed areas in FIGS. 3 and 6 represent the boundaries of the claimed design.

**1 Claim, 3 Drawing Sheets**



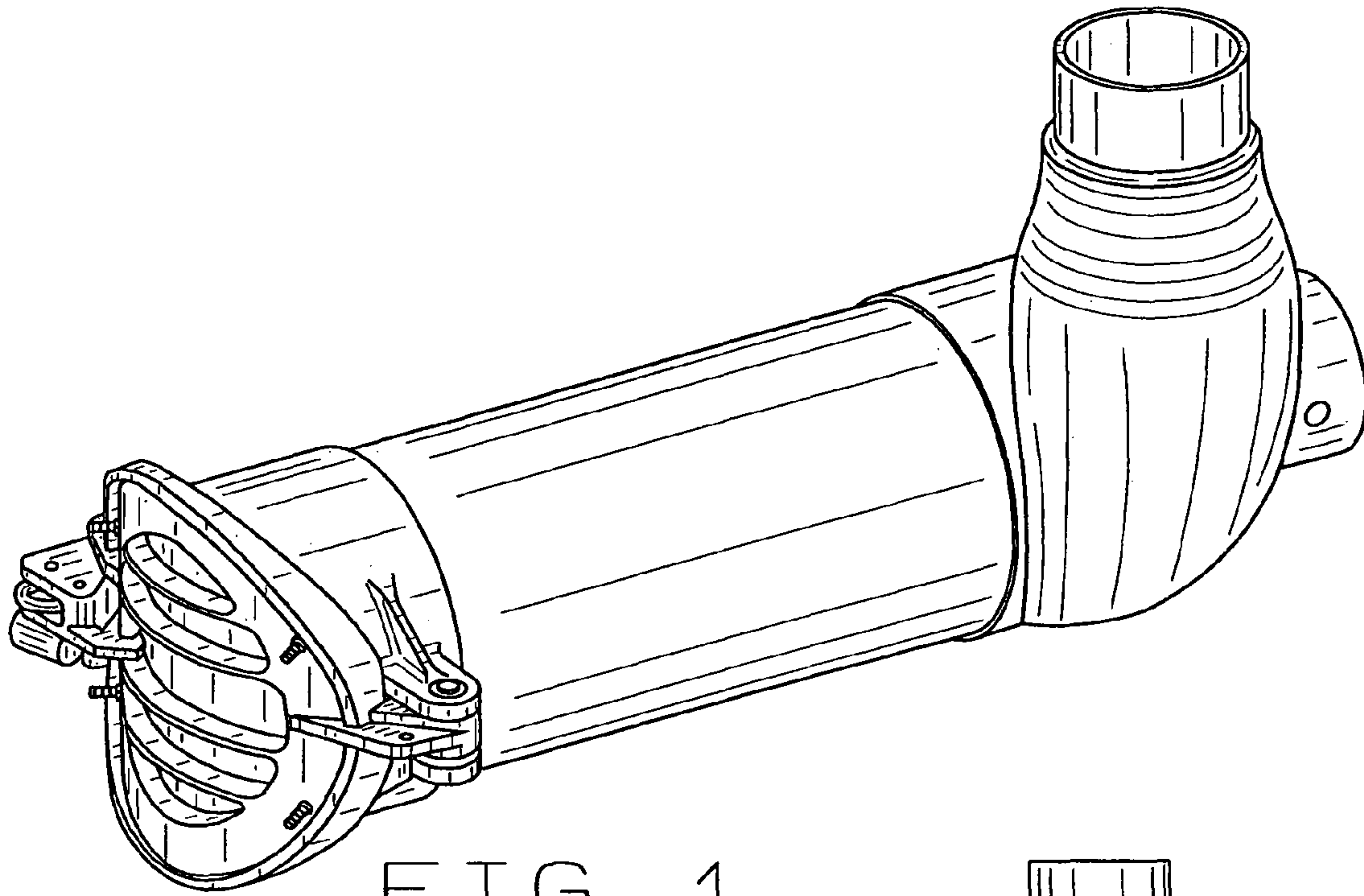


FIG. 1

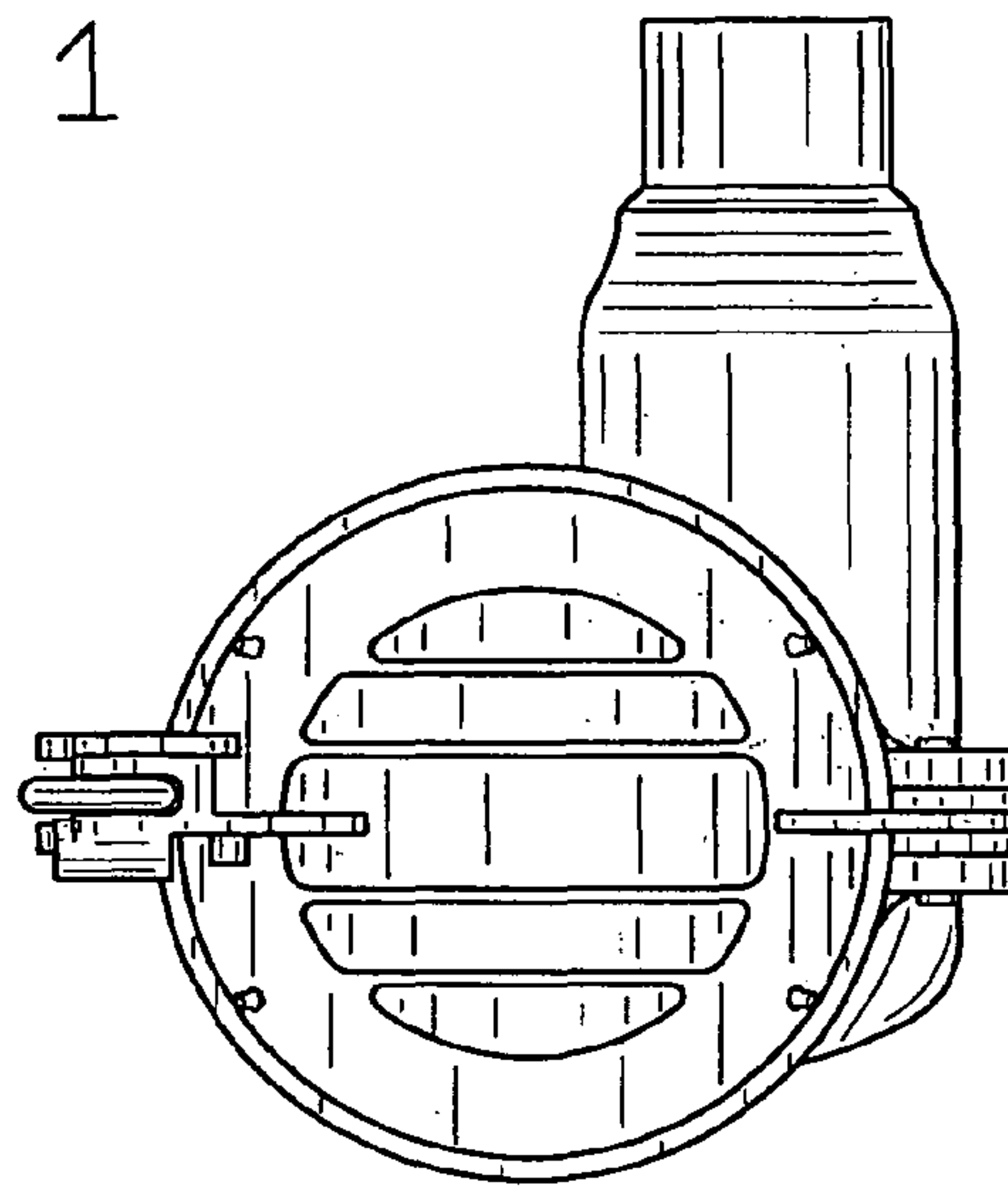


FIG. 2

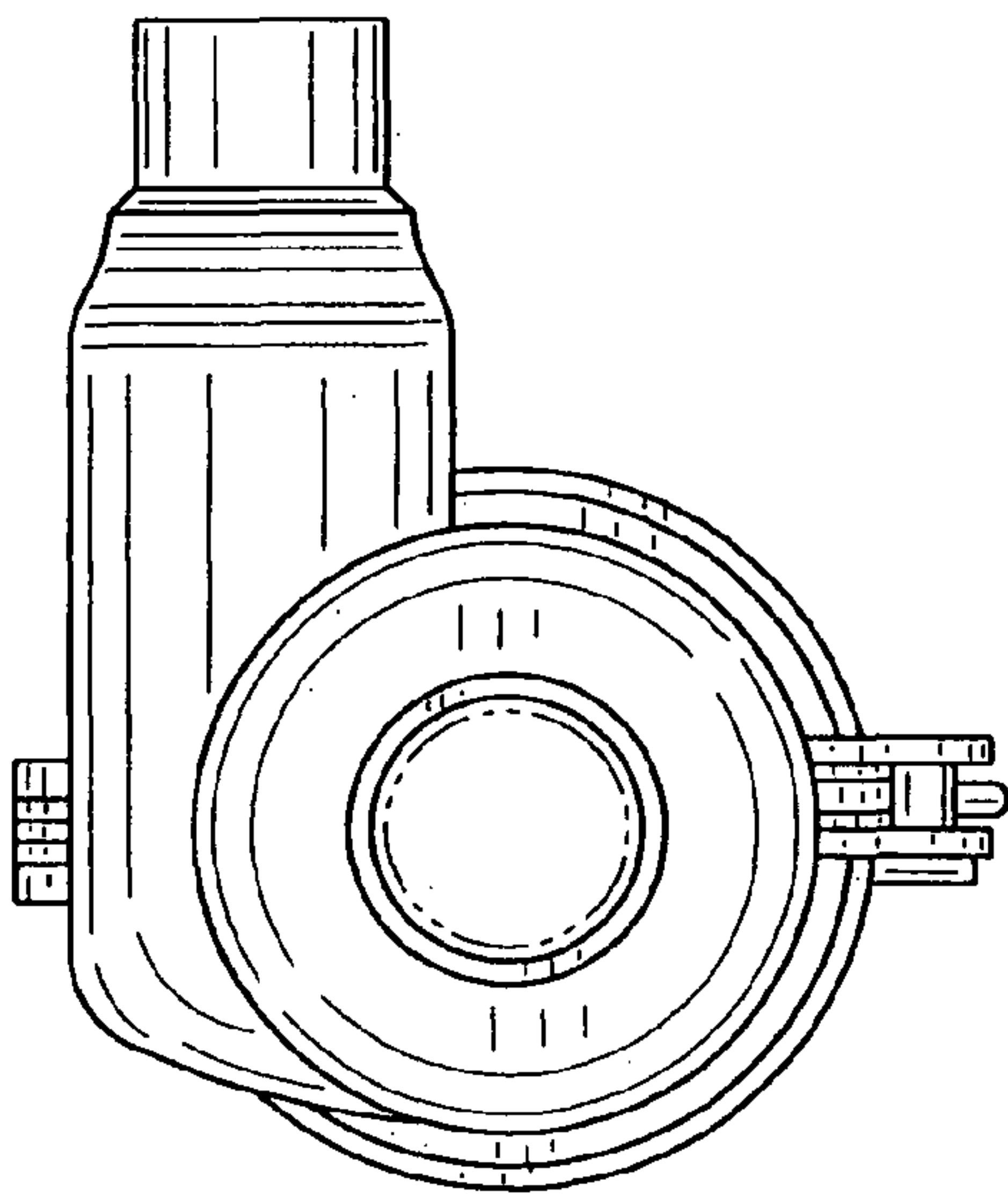


FIG. 3

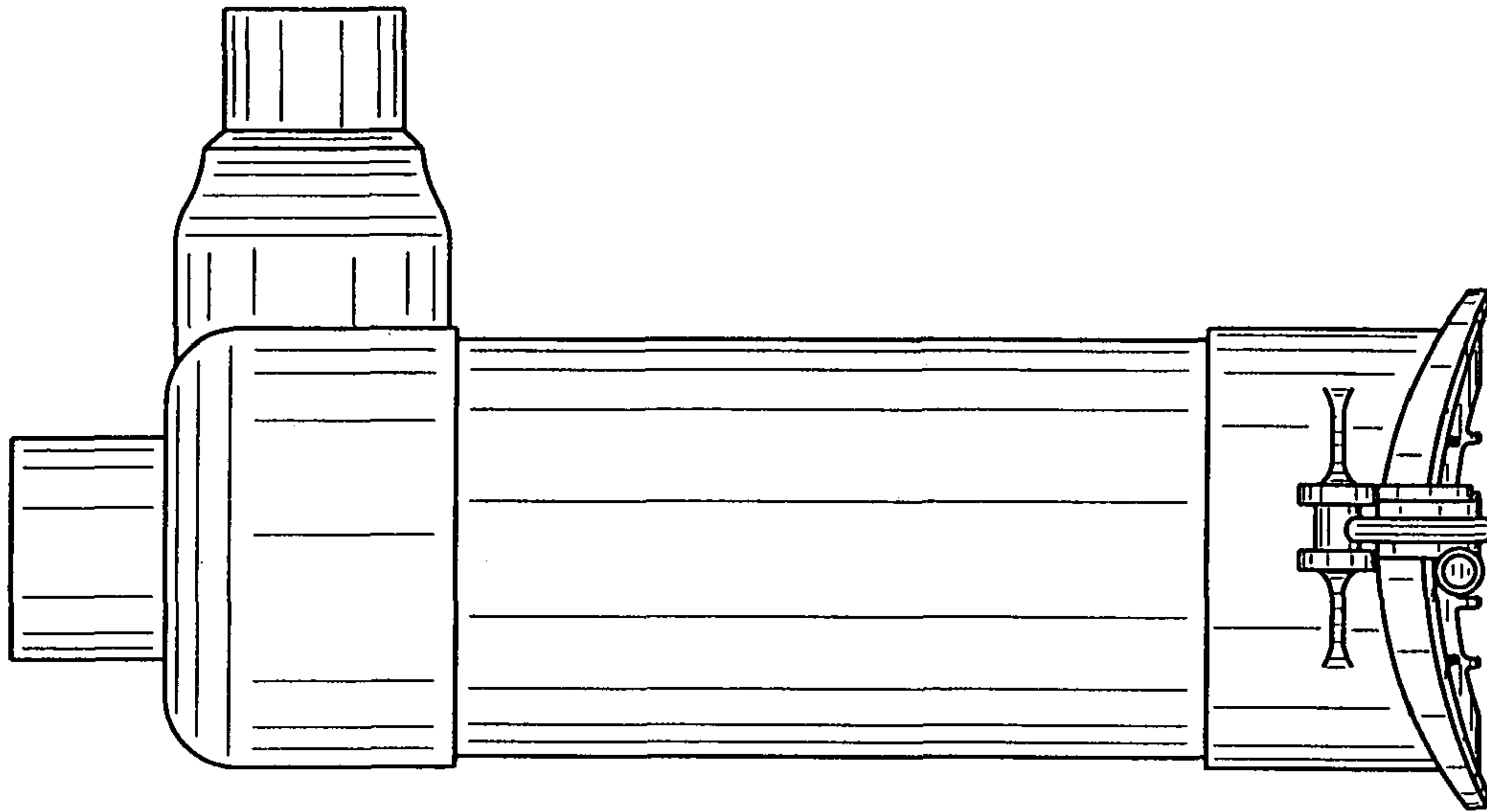


FIG. 4

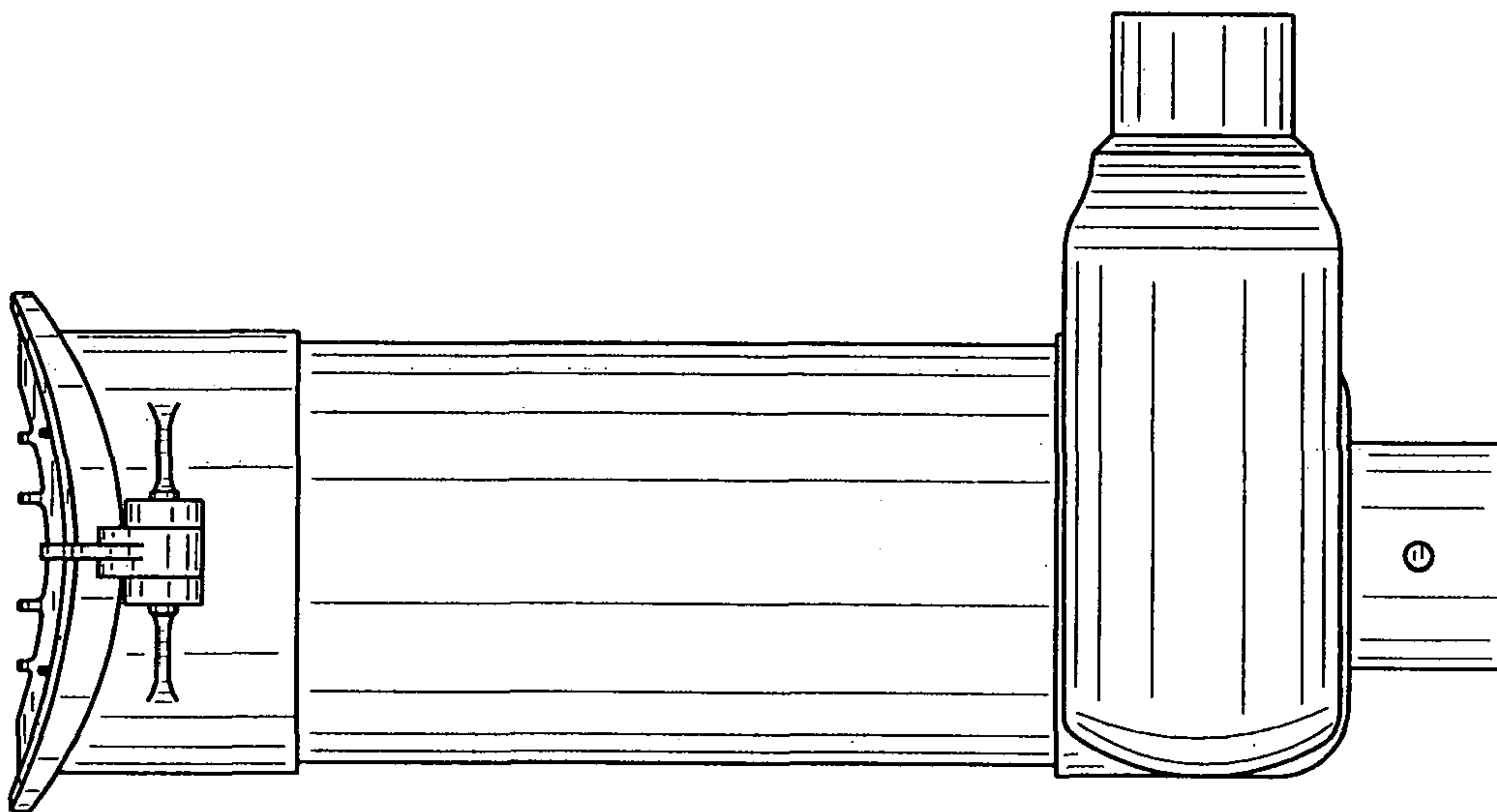


FIG. 5

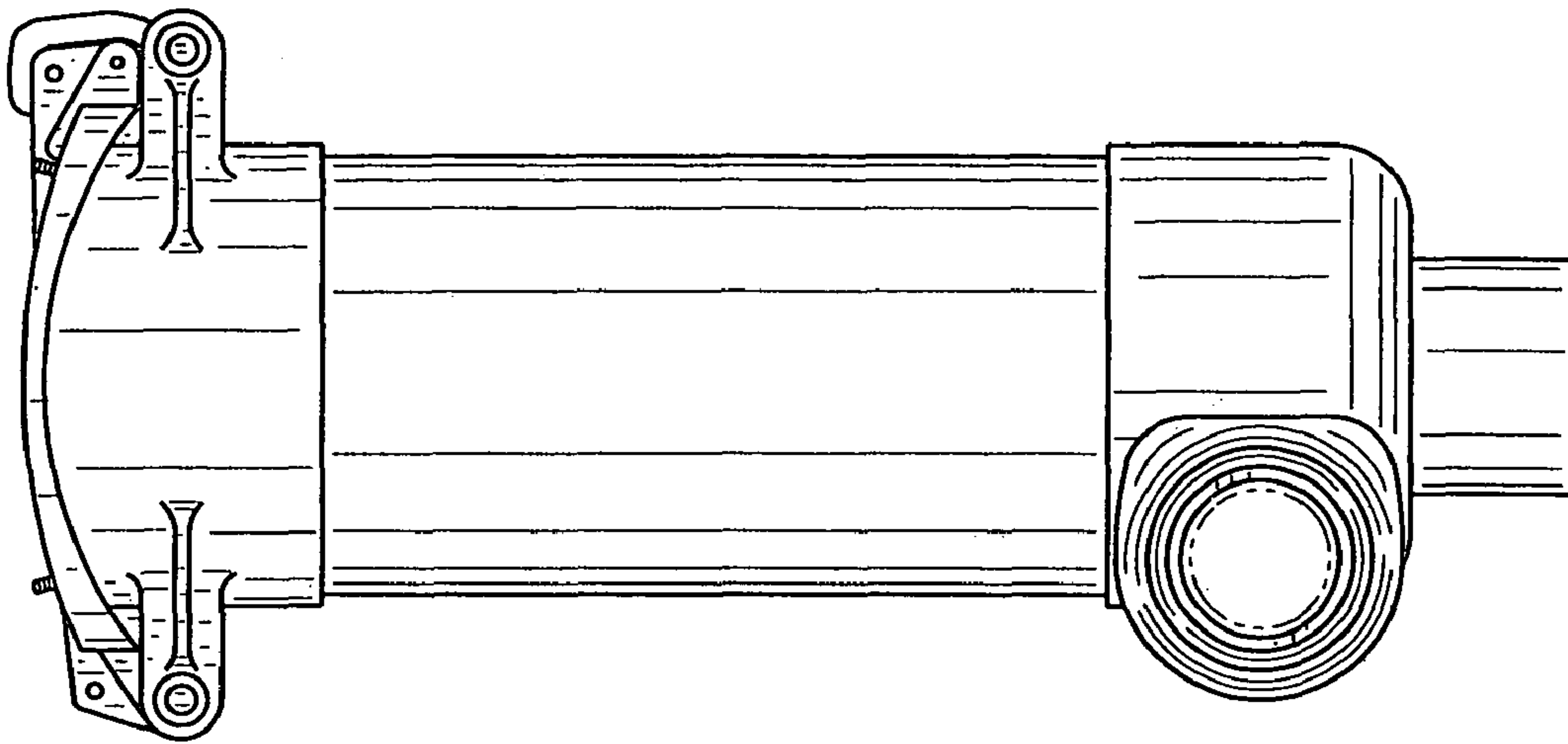


FIG. 6

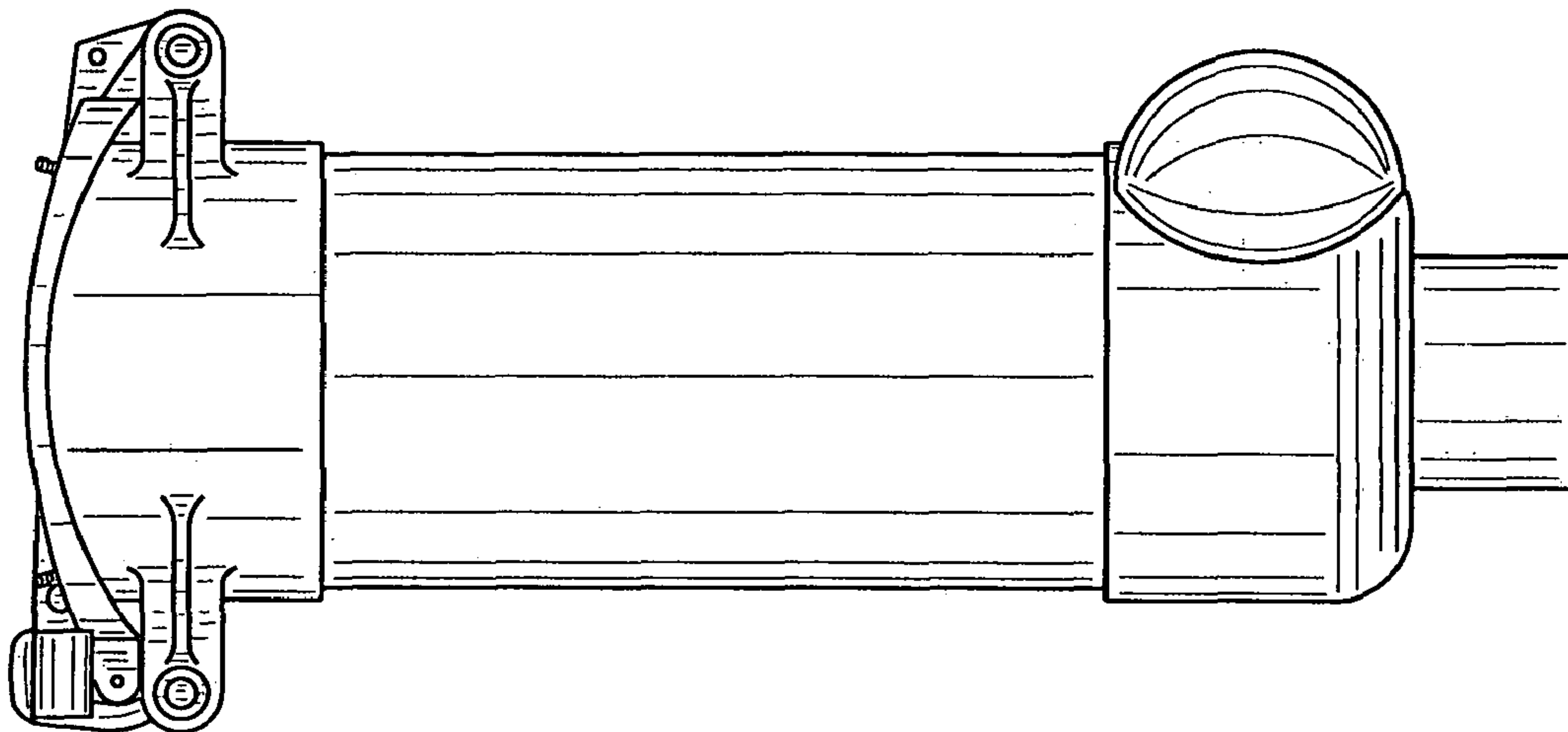


FIG. 7