



US00D652902S

(12) **United States Design Patent**
Bucher

(10) **Patent No.:** **US D652,902 S**
(45) **Date of Patent:** **** Jan. 24, 2012**

(54) **TOILET**

(75) Inventor: **Christophe Bucher**, Hillsborough, NJ
(US)

(73) Assignee: **AS IP Holdco, L.L.C.**, Piscataway, NJ
(US)

(**) Term: **14 Years**

(21) Appl. No.: **29/383,119**

(22) Filed: **Jan. 12, 2011**

(51) **LOC (9) Cl.** **23-02**

(52) **U.S. Cl.** **D23/301**

(58) **Field of Classification Search** D23/295,
D23/301, 303, 309, 313; 4/300, 353, 420,
4/DIG. 15

See application file for complete search history.

(56) **References Cited**

U.S. PATENT DOCUMENTS

D101,441 S	10/1936	Dreyfuss	
D106,810 S	9/1939	Uphues	
D390,934 S *	2/1998	McKeone	D23/313
D501,916 S *	2/2005	Kakahana	D23/301
D531,288 S *	10/2006	Soulier	D23/295

D594,535 S *	6/2009	Bucher	D23/301
D594,944 S	6/2009	Starck	
D603,489 S *	11/2009	Bucher	D23/301
D603,944 S *	11/2009	Grover et al.	D23/301
D624,996 S	10/2010	Schonherr et al.	

* cited by examiner

Primary Examiner — Robert Delehanty

(74) *Attorney, Agent, or Firm* — Flaster/Greenberg PC

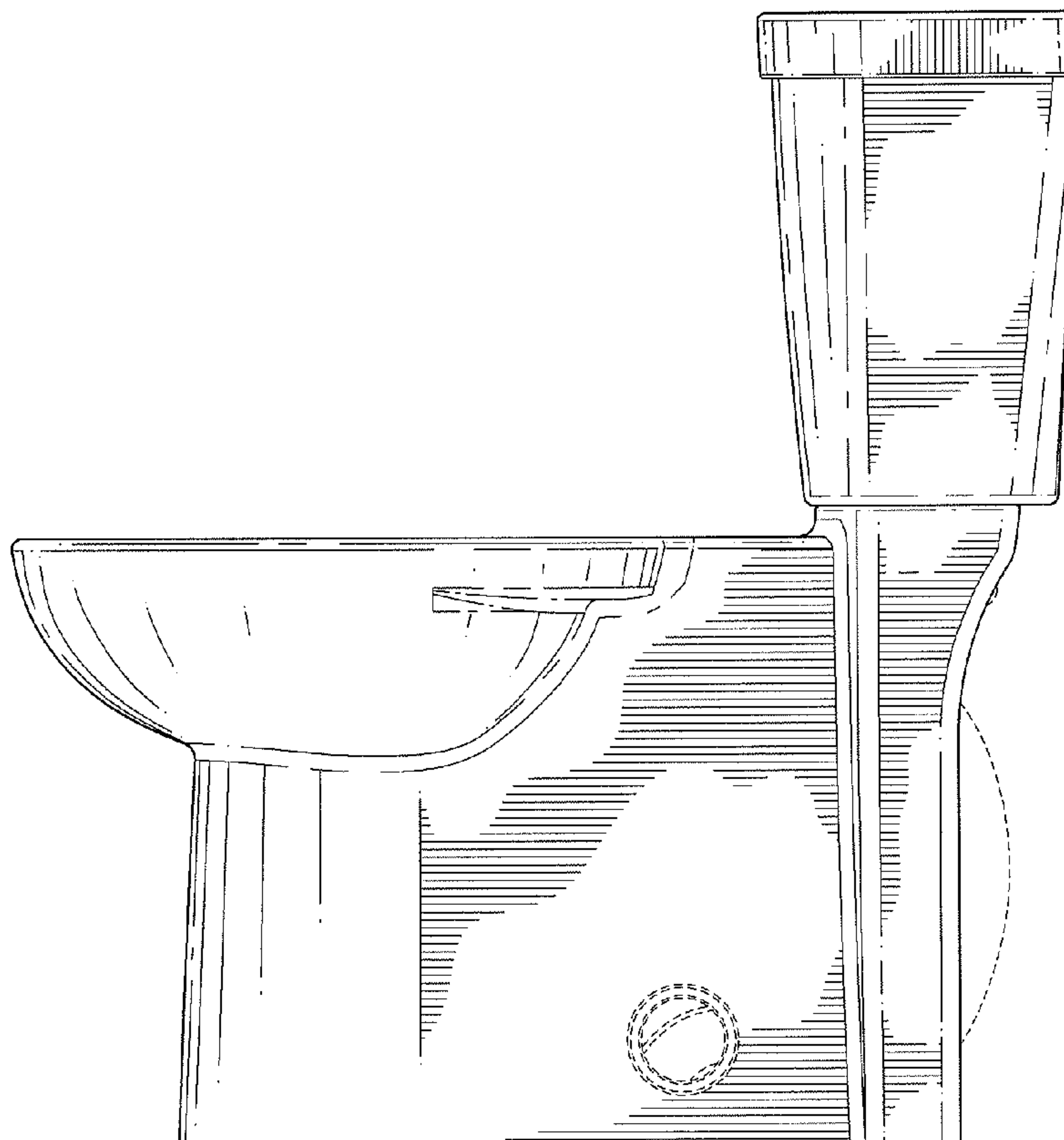
(57) **CLAIM**

The ornamental design for a toilet, as shown and described.

DESCRIPTION

FIG. 1 is a front view of a toilet;
 FIG. 2 is a right side view of the toilet of FIG. 1;
 FIG. 3 is a left side view of the toilet of FIG. 1;
 FIG. 4 is a rear view of the toilet of FIG. 1;
 FIG. 5 is a bottom view of the toilet of FIG. 1;
 FIG. 6 is a top view of the toilet of FIG. 1;
 FIG. 7 is a cross-sectional view of the toilet of FIG. 1; and,
 FIG. 8 is a perspective view of the toilet of FIG. 1.
 The broken lines shown in the drawings views are included for the purpose of illustrating a portion of the toilet that forms no part of the claimed design.

1 Claim, 8 Drawing Sheets



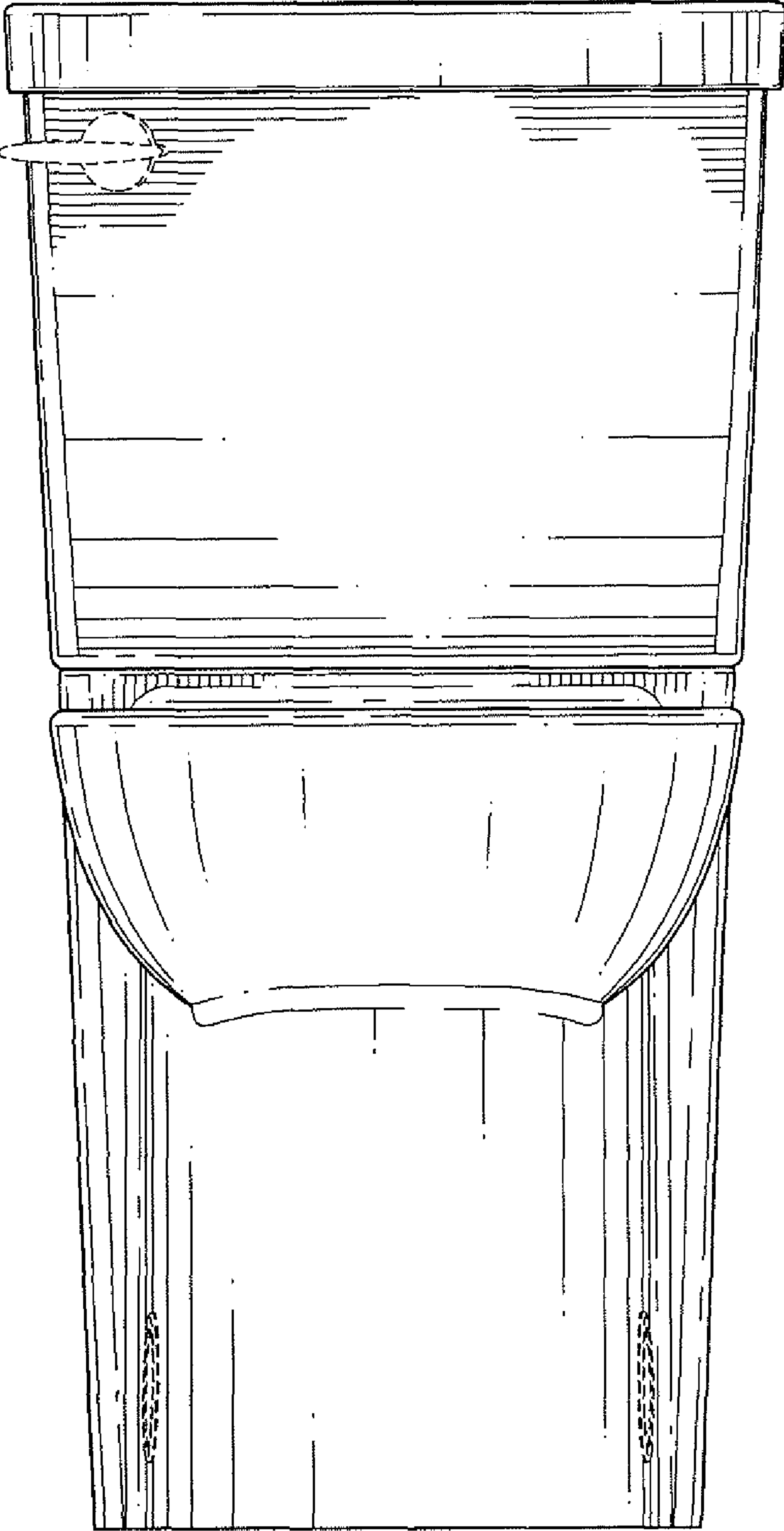


FIG. 1

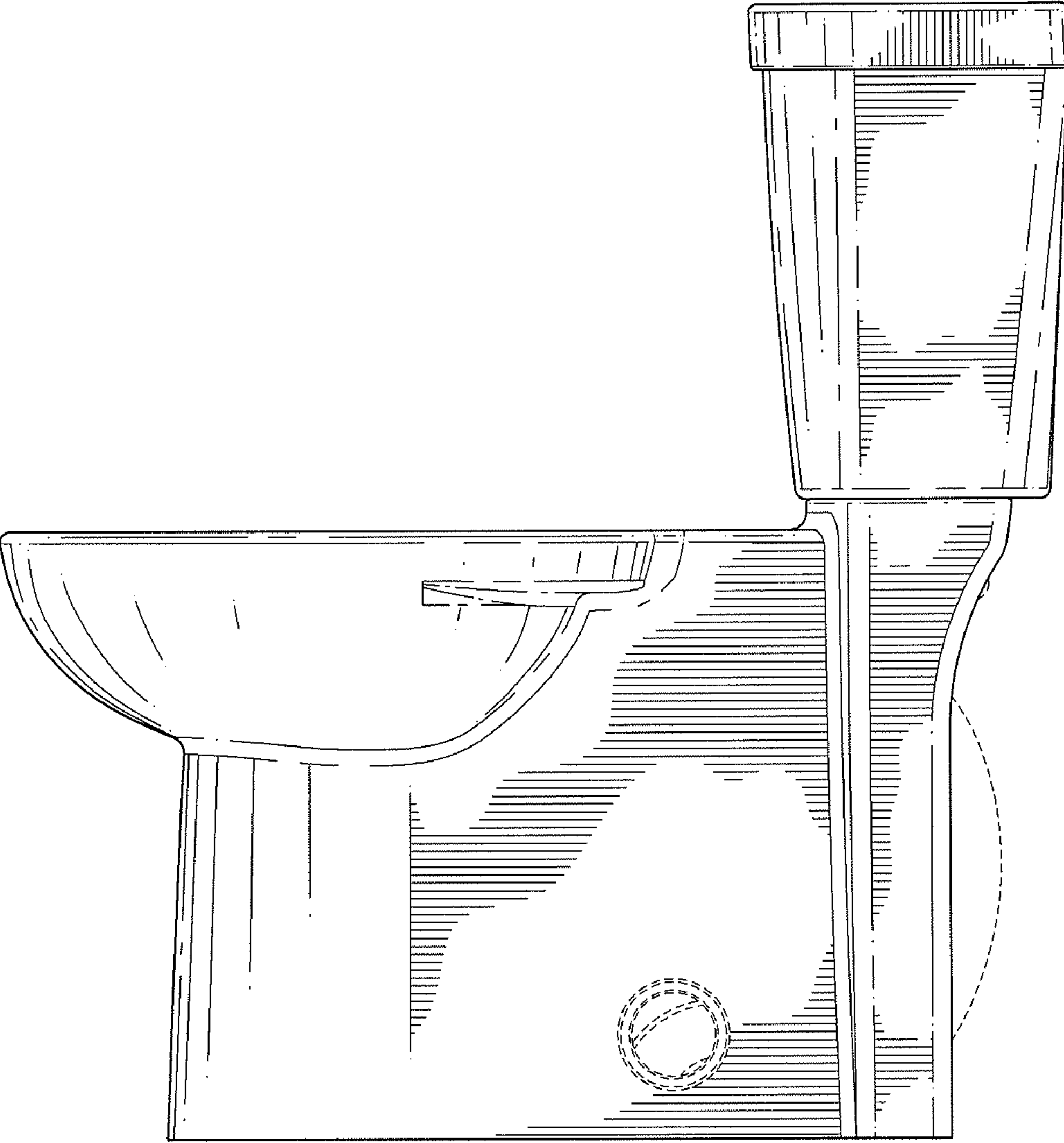


FIG.2

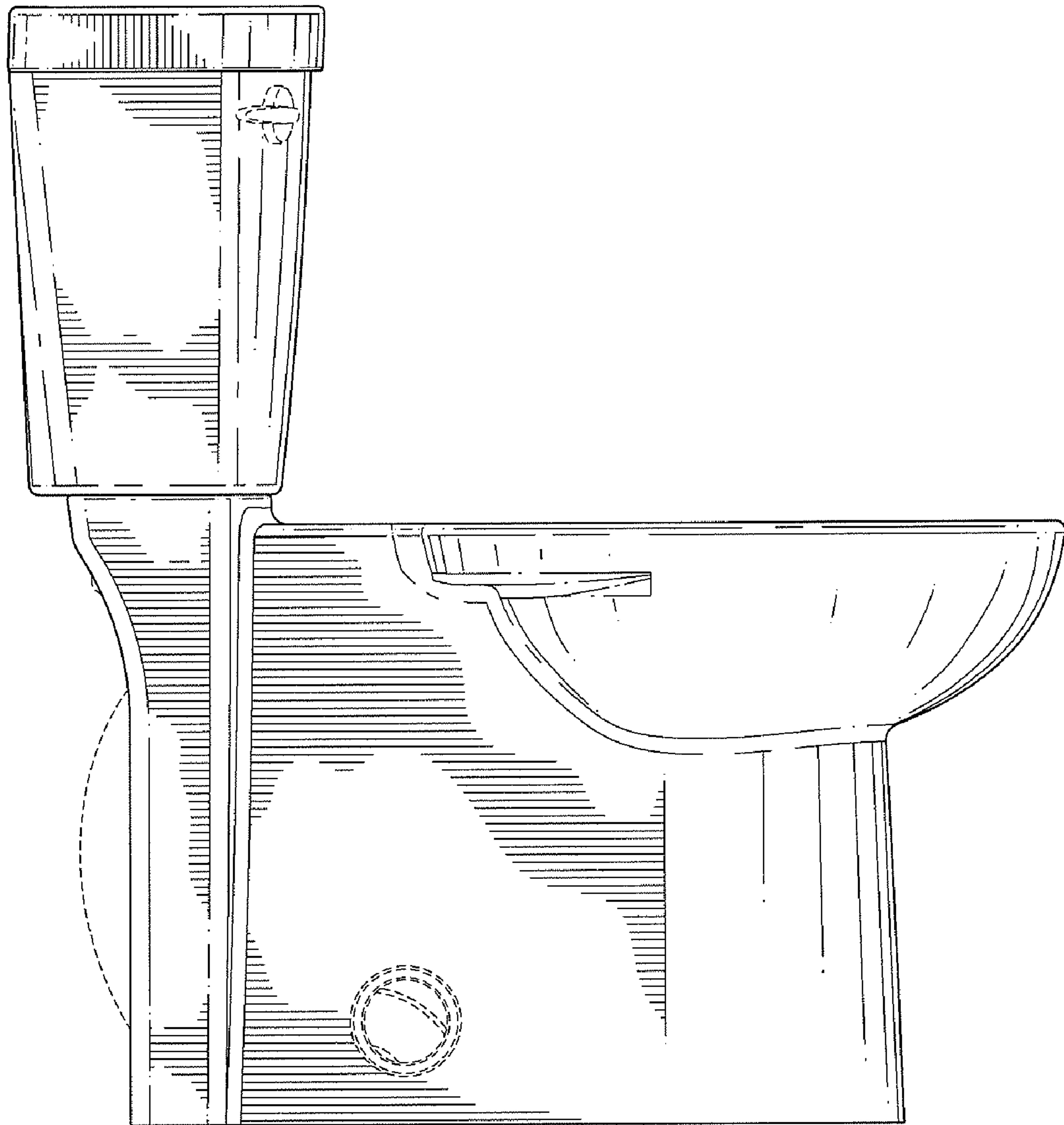


FIG. 3

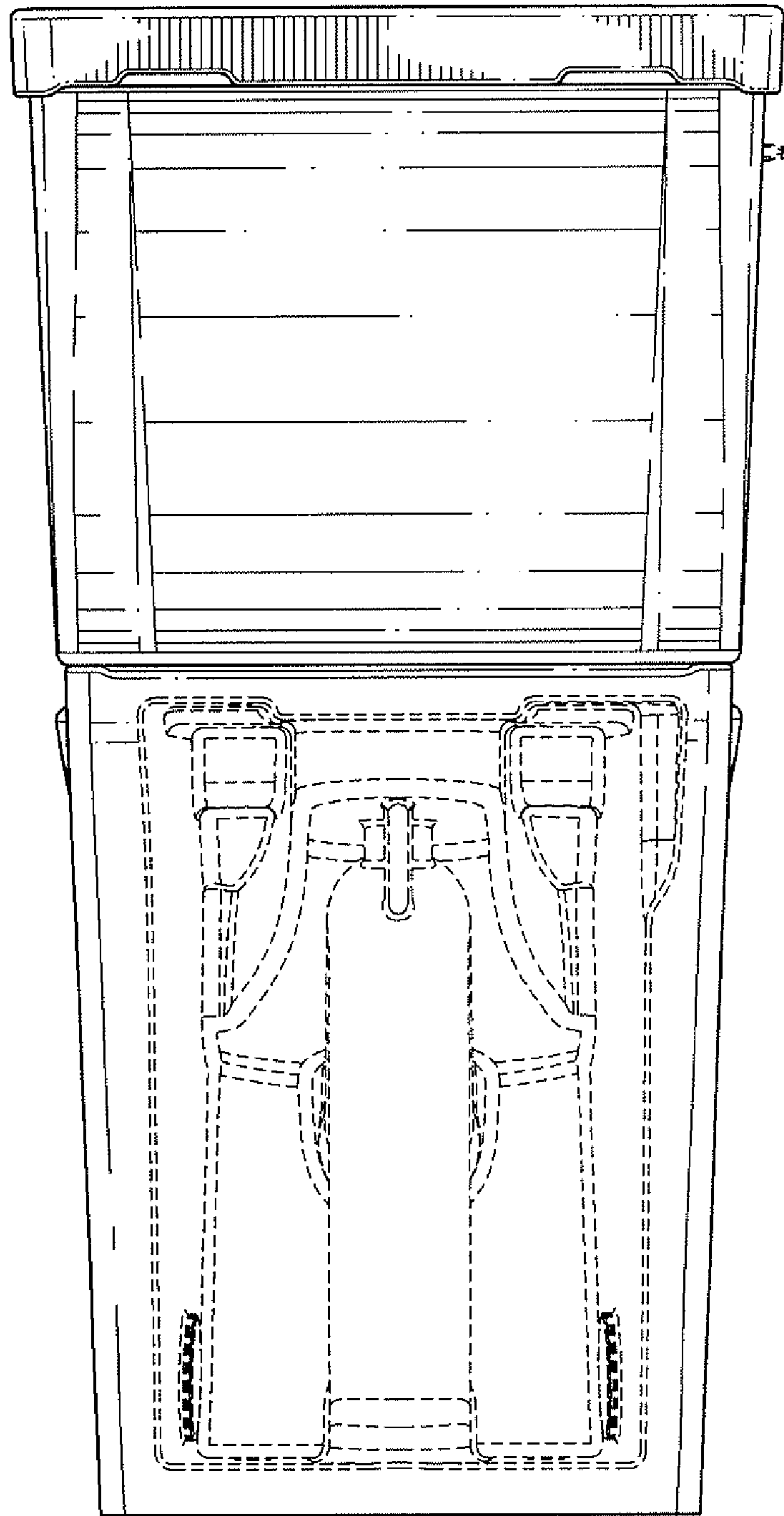


FIG.4

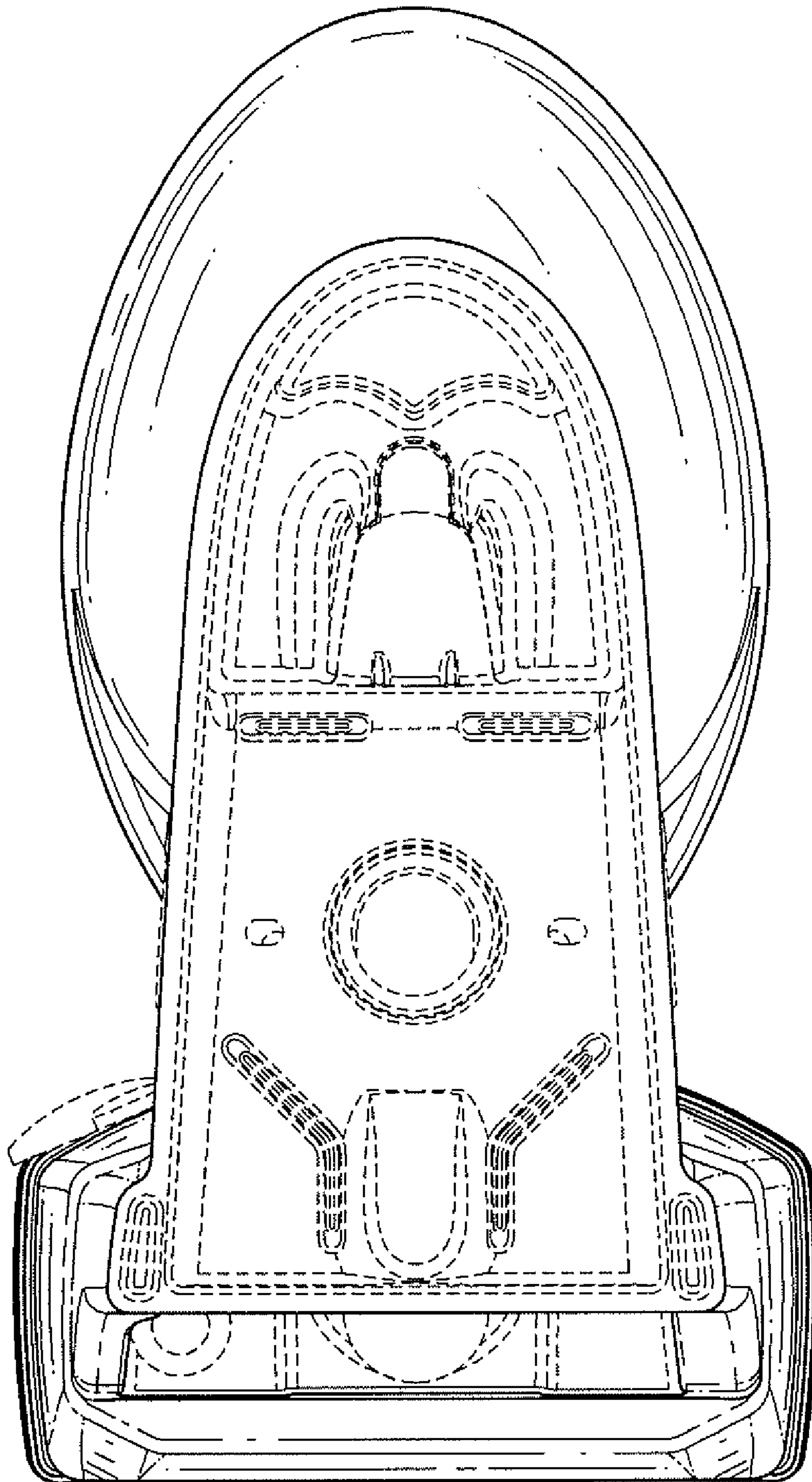


FIG. 5

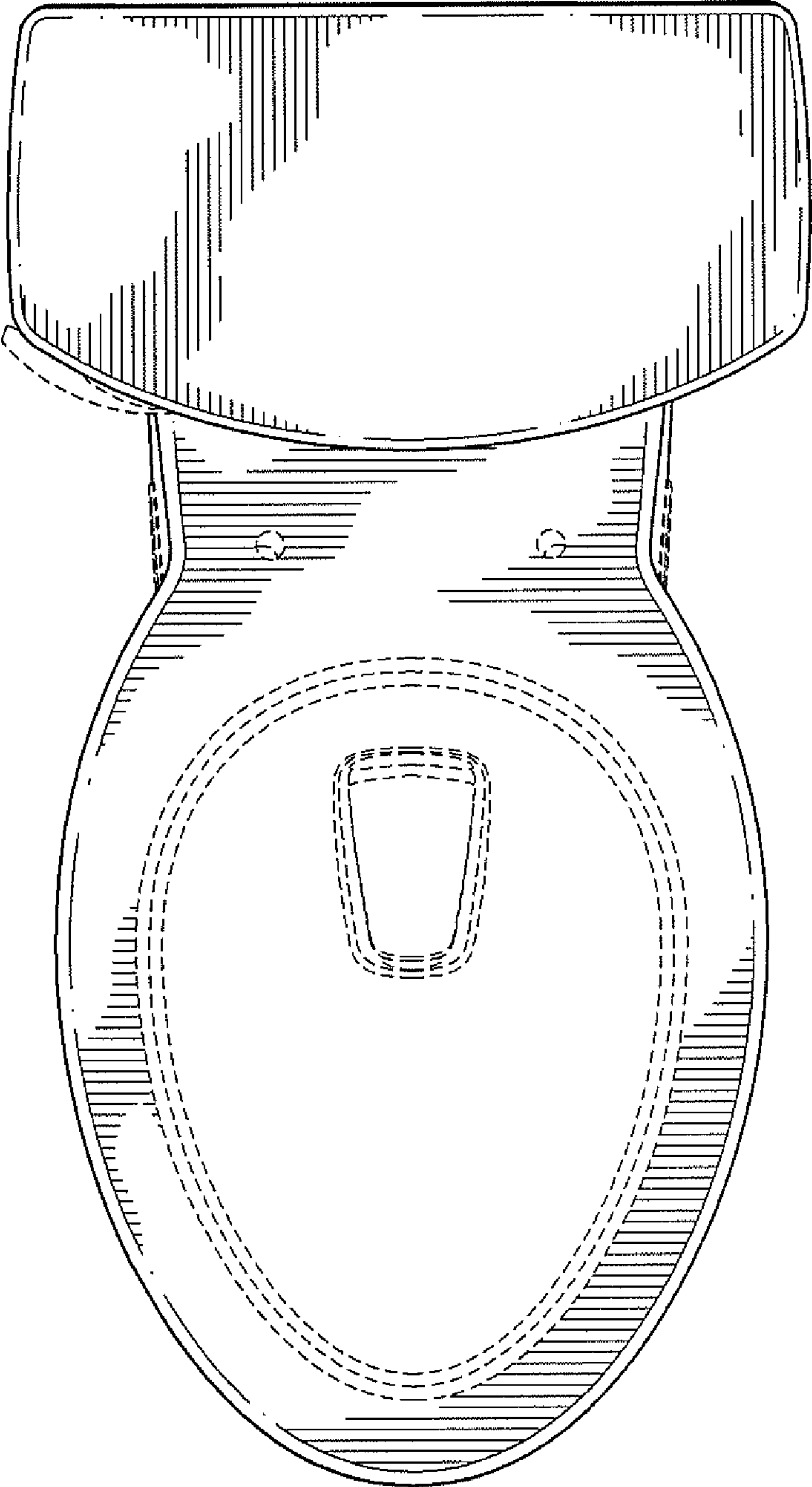


FIG. 6

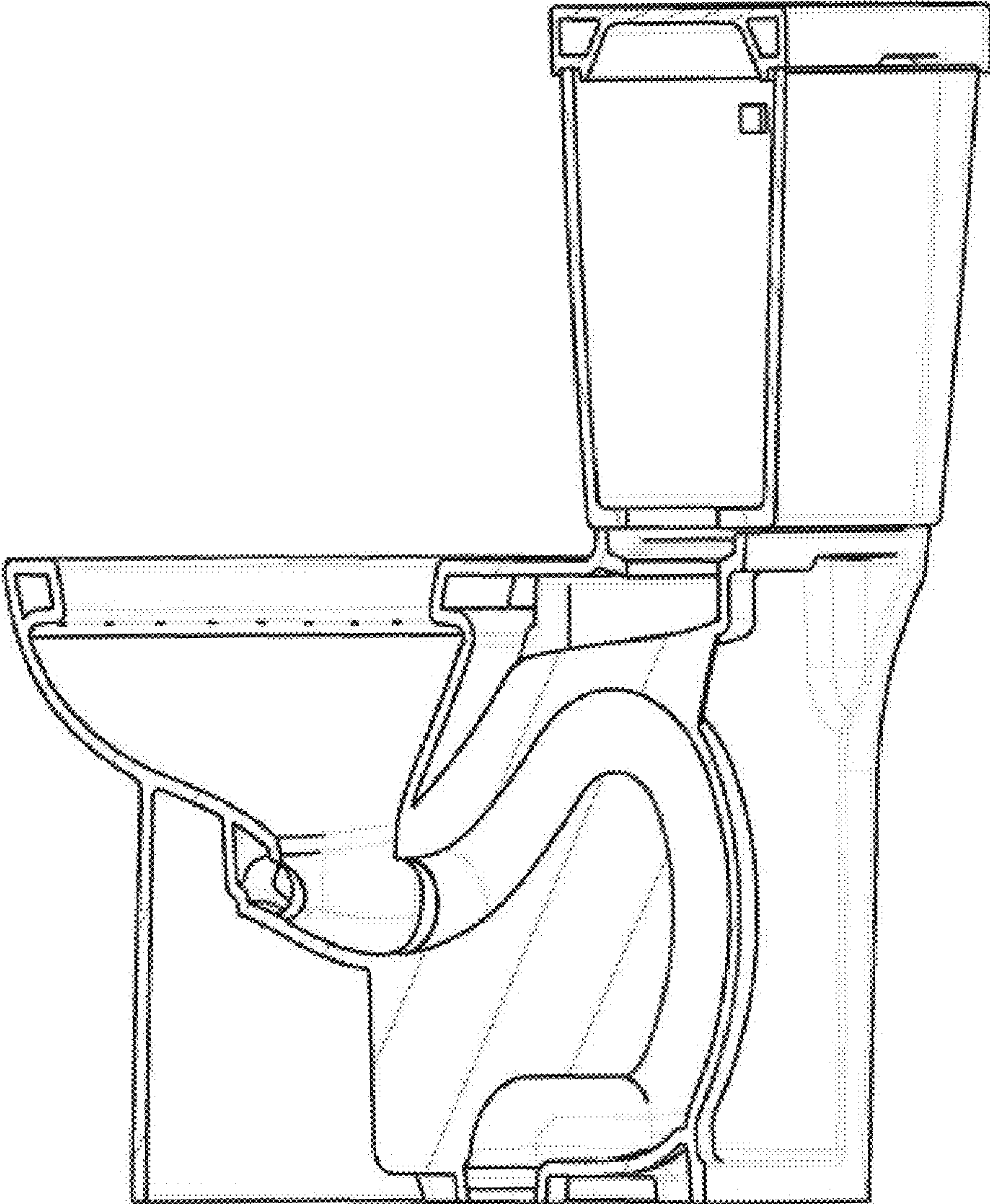


FIGURE 7

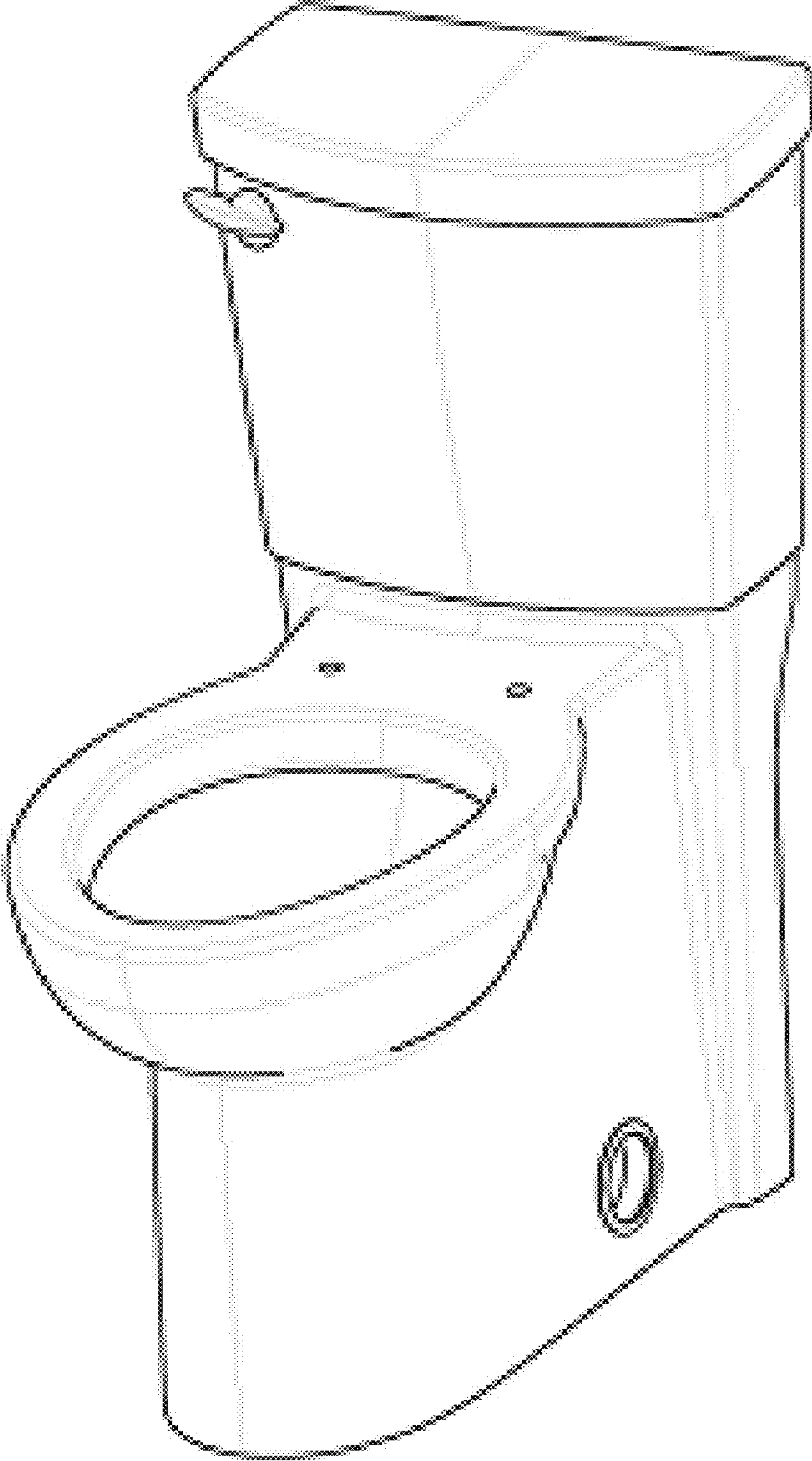


FIGURE 8