



US00D652901S

(12) **United States Design Patent**
Didehvar et al.

(10) **Patent No.:** **US D652,901 S**
(45) **Date of Patent:** **** Jan. 24, 2012**

(54) **UTILITY TUB**

(75) Inventors: **Kaveh Didehvar**, Hockessin, DE (US);
Joseph Vaccaro, West Chester, PA (US)

(73) Assignee: **Zenith Products Corporation**, New
Castle, DE (US)

(**) Term: **14 Years**

(21) Appl. No.: **29/392,573**

(22) Filed: **May 24, 2011**

(51) **LOC (9) Cl.** **23-02**

(52) **U.S. Cl.** **D23/284**

(58) **Field of Classification Search** D23/284,
D23/286–287, 289, 293.1; 4/619, 643
See application file for complete search history.

(56) **References Cited**

U.S. PATENT DOCUMENTS

208,094	A	9/1879	Higgins	
3,129,436	A	4/1964	Mustee	
D208,395	S	8/1967	Mustee	
3,333,282	A	8/1967	Mustee	
3,384,230	A	5/1968	Mustee	
D223,667	S	5/1972	DiPierro	
3,775,779	A	12/1973	Kohler	
4,746,088	A	5/1988	Kruger	
D387,173	S	* 12/1997	Jeans	D24/213
5,715,547	A	2/1998	Becker et al.	

5,722,560	A	3/1998	Mustee et al.	
D464,715	S	10/2002	Zarker	
D506,534	S	* 6/2005	Sutopo	D23/293.1
D583,445	S	12/2008	Lee et al.	
D602,136	S	10/2009	Lee et al.	
7,954,183	B2	* 6/2011	Cawthon	4/650
2009/0100591	A1	4/2009	Lee et al.	

* cited by examiner

Primary Examiner — Robert Delehanty

(74) *Attorney, Agent, or Firm* — Panitch Schwarze Belisario
& Nadel LLP

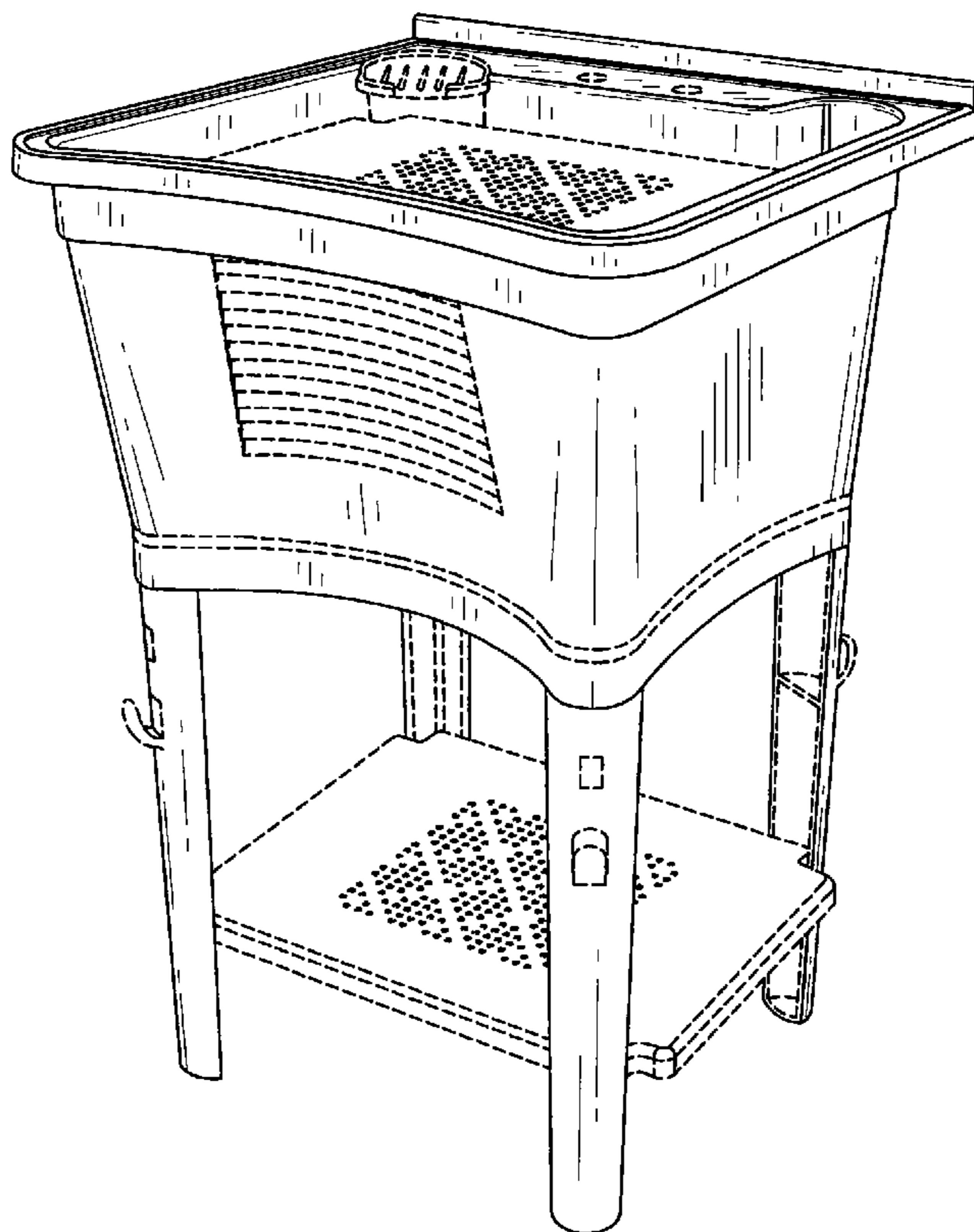
(57) **CLAIM**

The ornamental design for a utility tub, as shown and described.

DESCRIPTION

FIG. 1 is a perspective view of a utility tub in accordance with a preferred embodiment of our new design; FIG. 2 is a front elevational view thereof; FIG. 3 is a right side elevational view thereof, with the left side elevational view being a mirror image thereof; FIG. 4 is a rear elevational view thereof; and, FIG. 5 is a top plan view thereof. The broken lines in the figures are for illustrative purposes only and form no part of the claimed design. The bottom plan view of the utility tub is not shown in the drawings or described in the specification and, therefore, forms no part of the claimed design.

1 Claim, 5 Drawing Sheets



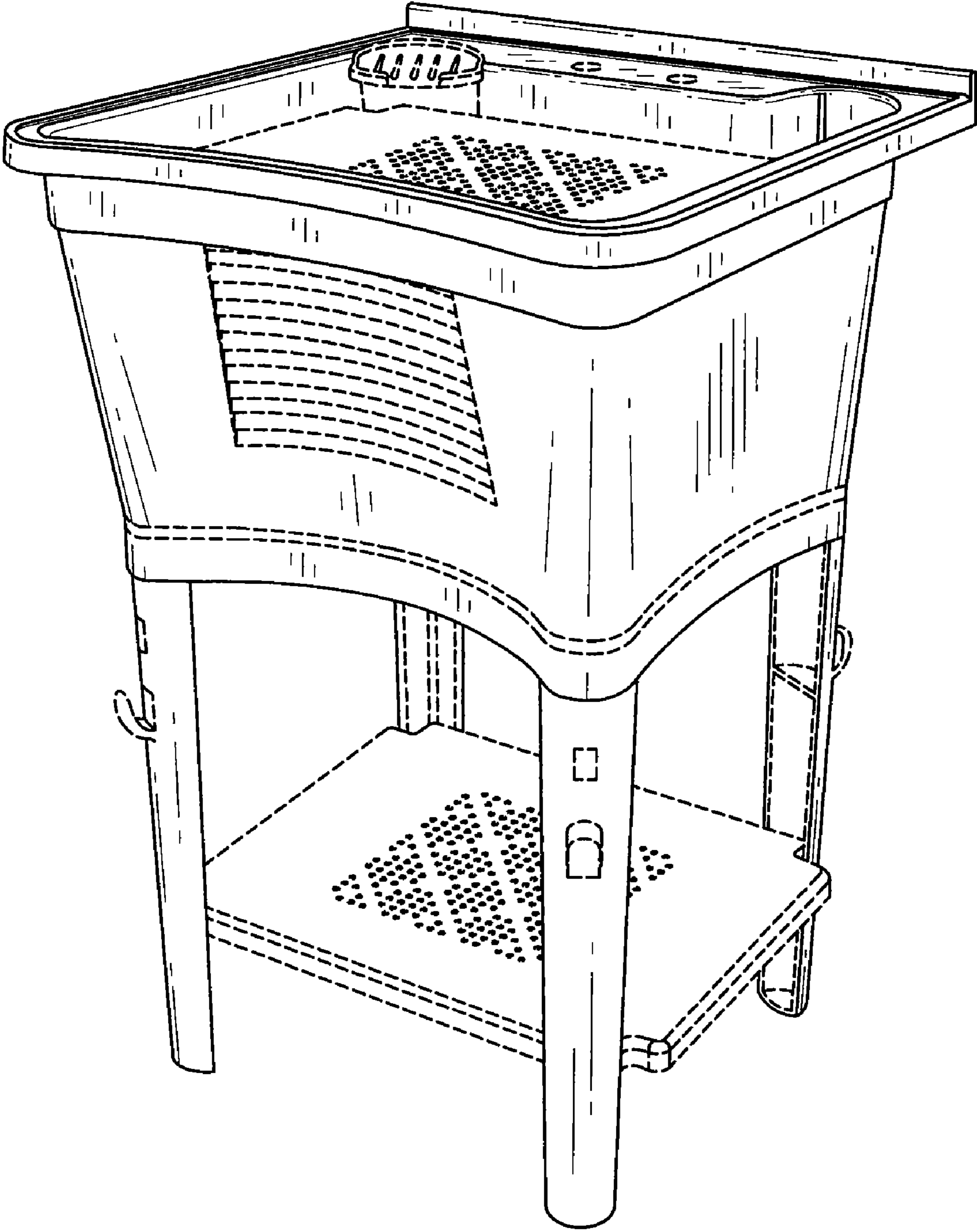


Fig. 1

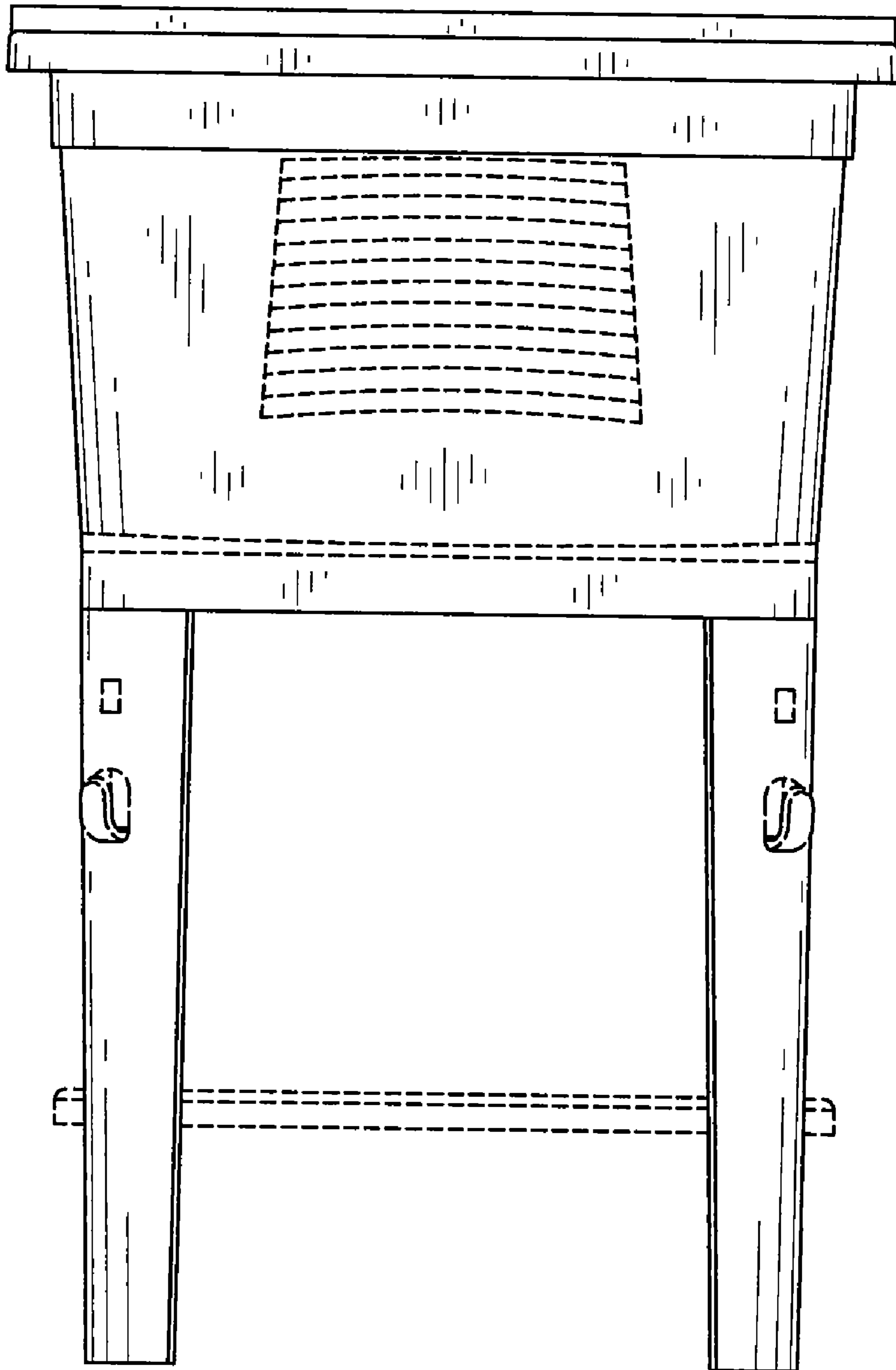


Fig. 2

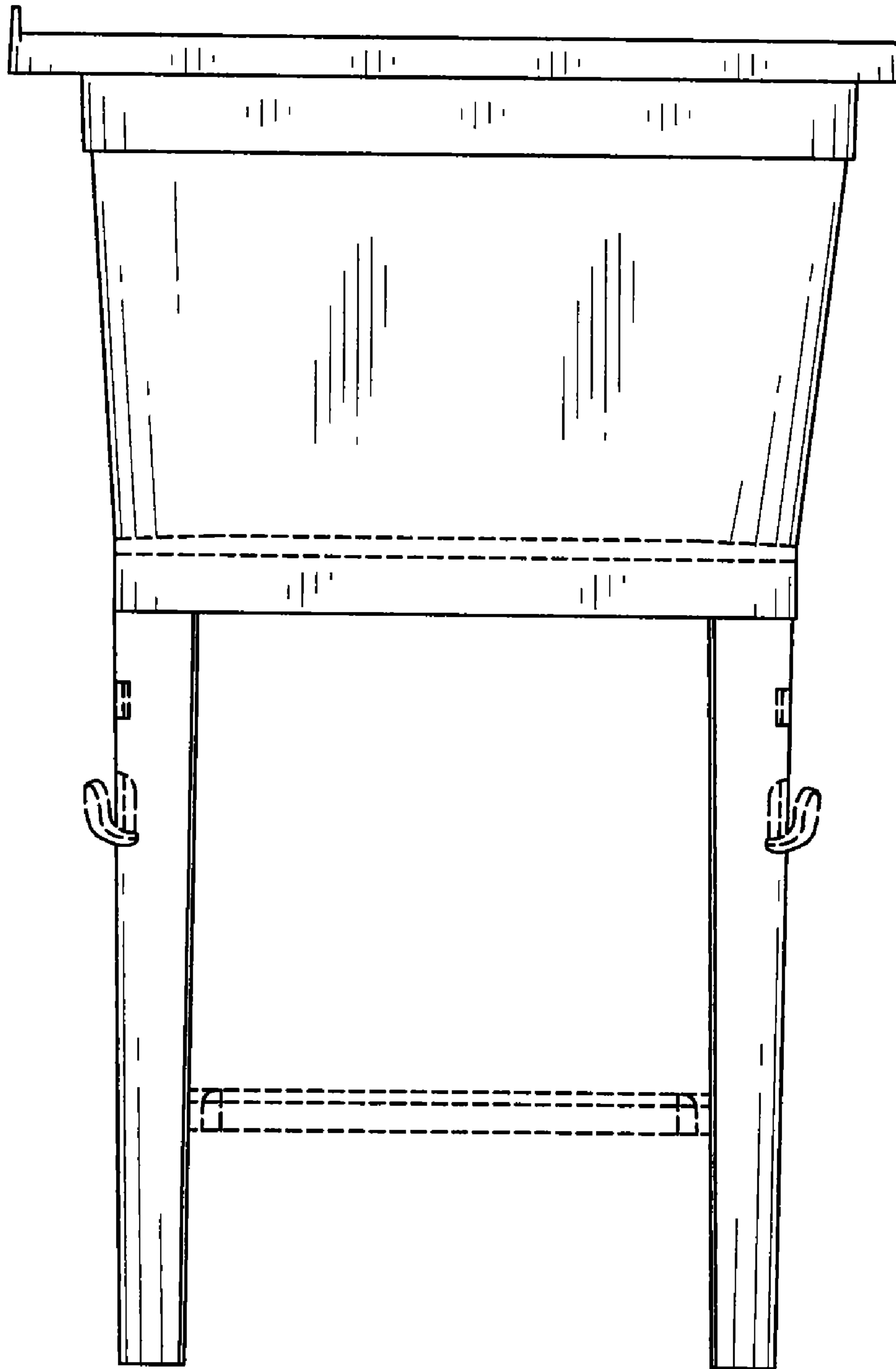


Fig. 3

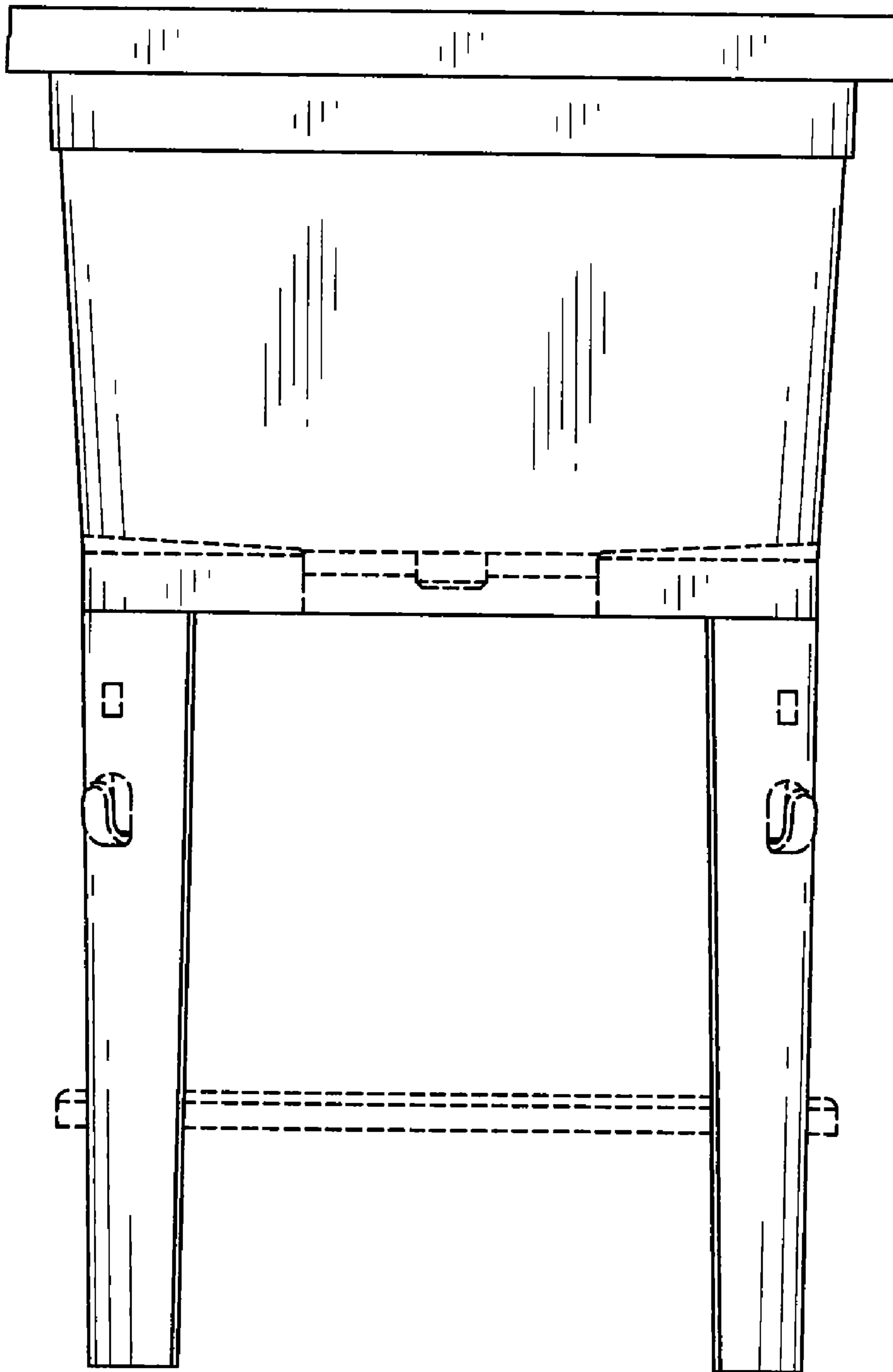


Fig. 4

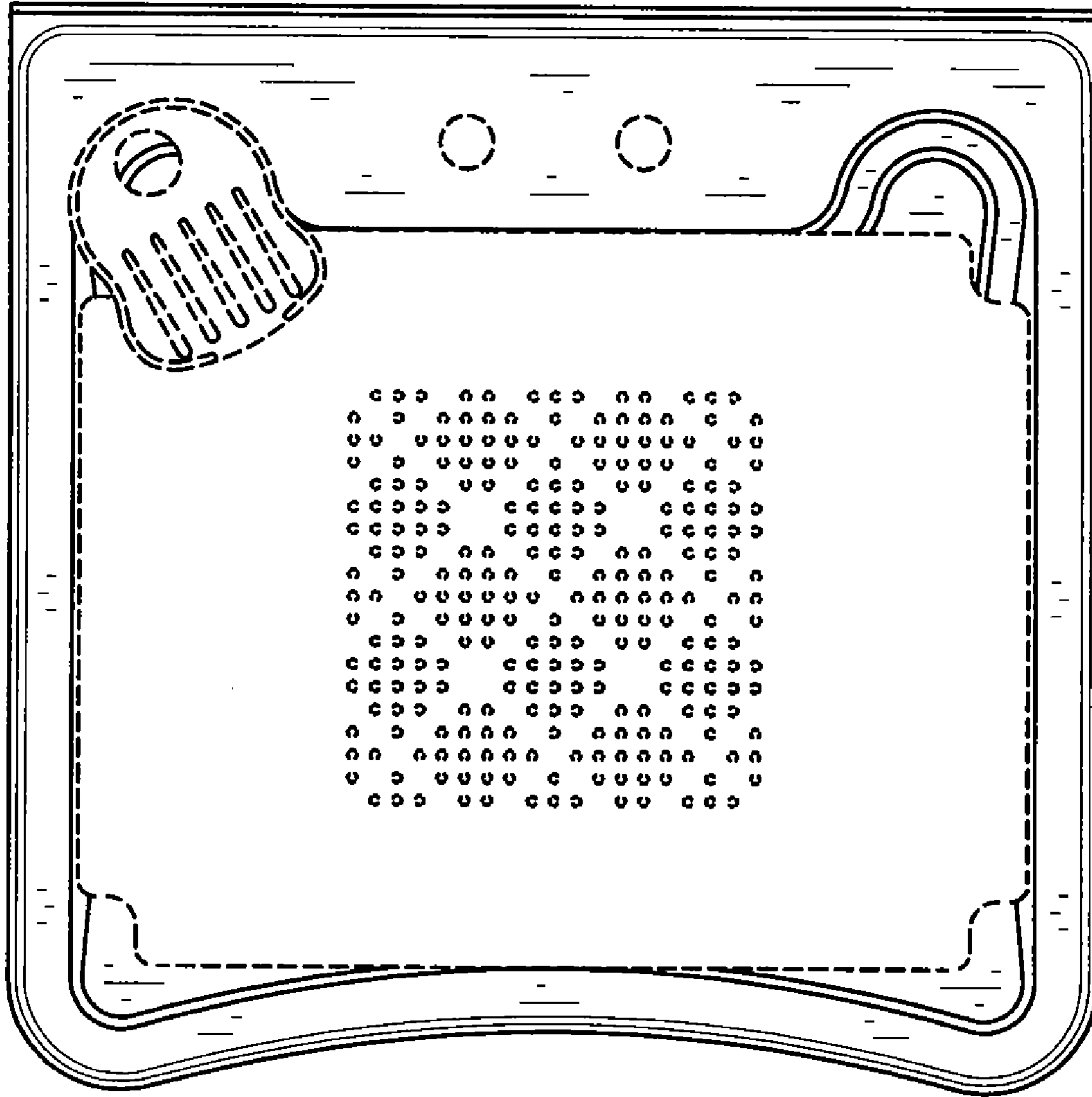


Fig. 5