



US00D652898S

(12) **United States Design Patent**
Flowers et al.

(10) **Patent No.:** **US D652,898 S**
(45) **Date of Patent:** **** Jan. 24, 2012**

(54) **CONTROLLER**

(75) Inventors: **Paul Flowers**, Duesseldorf (DE); **Jochen Allard**, Menden (DE)

(73) Assignee: **Grohe AG**, Hemer (DE)

(**) Term: **14 Years**

(21) Appl. No.: **29/387,036**

(22) Filed: **Mar. 8, 2011**

(30) **Foreign Application Priority Data**

Sep. 10, 2010 (EM) 001753070-0001

(51) **LOC (9) Cl.** **23-01**

(52) **U.S. Cl.** **D23/252**

(58) **Field of Classification Search** D23/250,
D23/252, 254, 238-243, 309; 4/676-677;
137/801; D10/49-50

See application file for complete search history.

(56) **References Cited**

U.S. PATENT DOCUMENTS

1,958,165	A *	5/1934	Le Compte	16/425
D370,714	S *	6/1996	Lobermeier	D23/252
D486,558	S *	2/2004	Blomstrom	D23/252
D591,182	S *	4/2009	Schoenherr et al.	D10/49
D597,632	S *	8/2009	Obara et al.	D23/250
D603,022	S *	10/2009	Schoenherr et al.	D23/245
D631,946	S *	2/2011	Allard et al.	D23/250

FOREIGN PATENT DOCUMENTS

EM	000652490-0002	1/2007
EM	000669460-0014	2/2007
EM	000683644-0004	3/2007

* cited by examiner

Primary Examiner — Robert Delehanty

(74) *Attorney, Agent, or Firm* — Muncy, Geissler, Olds & Lowe, PLLC

(57) **CLAIM**

The ornamental design for a controller, as shown and described.

DESCRIPTION

FIG. 1 is a left side elevational view of a controller according to the present invention.

FIG. 2 is a right side elevational view of the controller of FIG. 1.

FIG. 3 is a top plan view of the controller of FIG. 1.

FIG. 4 is a bottom plan view of the controller of FIG. 1.

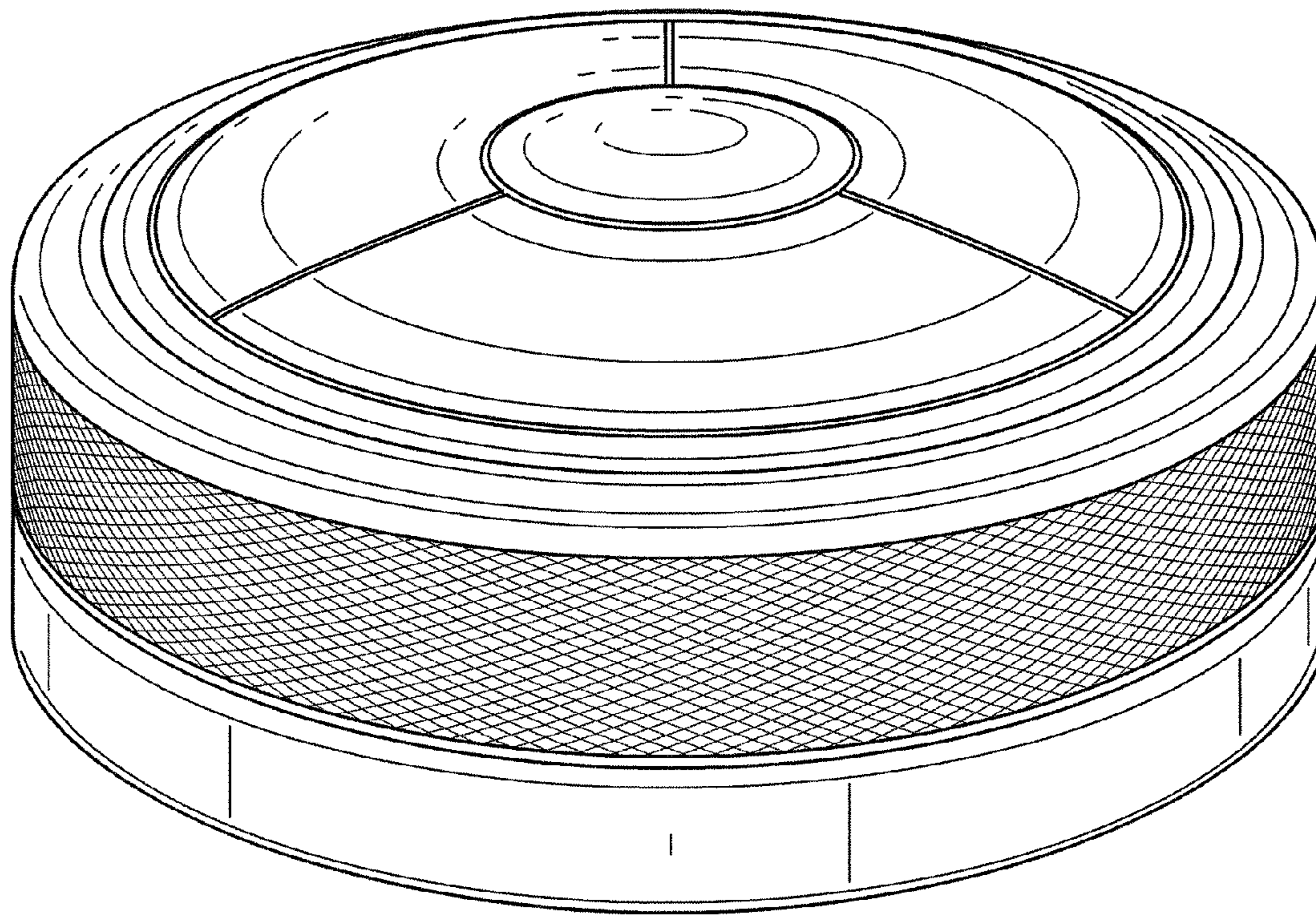
FIG. 5 is a front elevational view of the controller of FIG. 1.

FIG. 6 is a rear elevational view of the controller of FIG. 1; and,

FIG. 7 is a three quarter view of the controller of FIG. 1.

The dashed lines illustrate environment that does not form a part of the present invention, and no claim is made to the material illustrated with dashed lines.

1 Claim, 5 Drawing Sheets



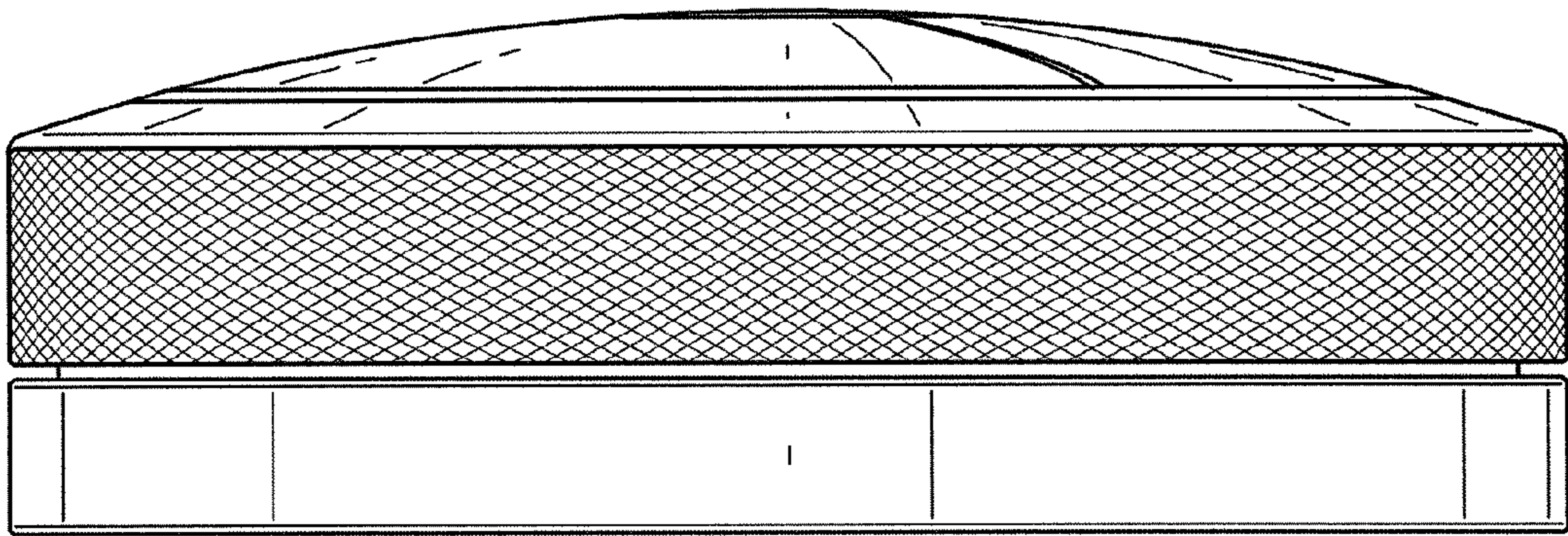


FIG. 1

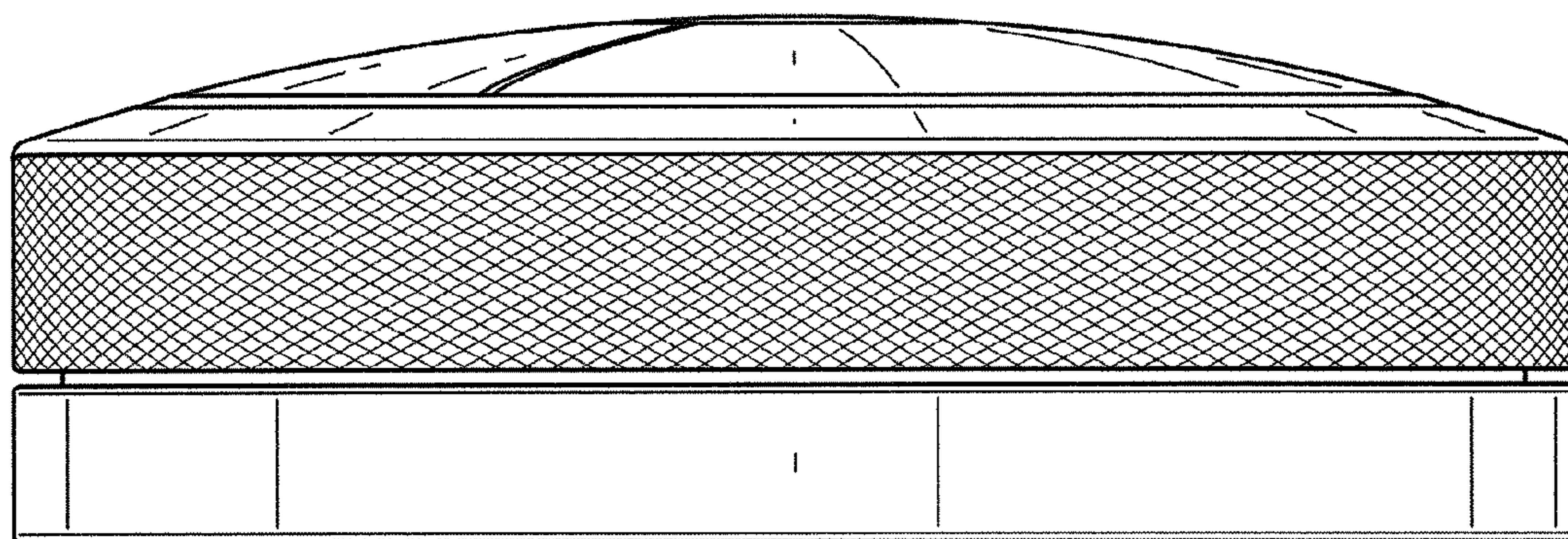


FIG. 2

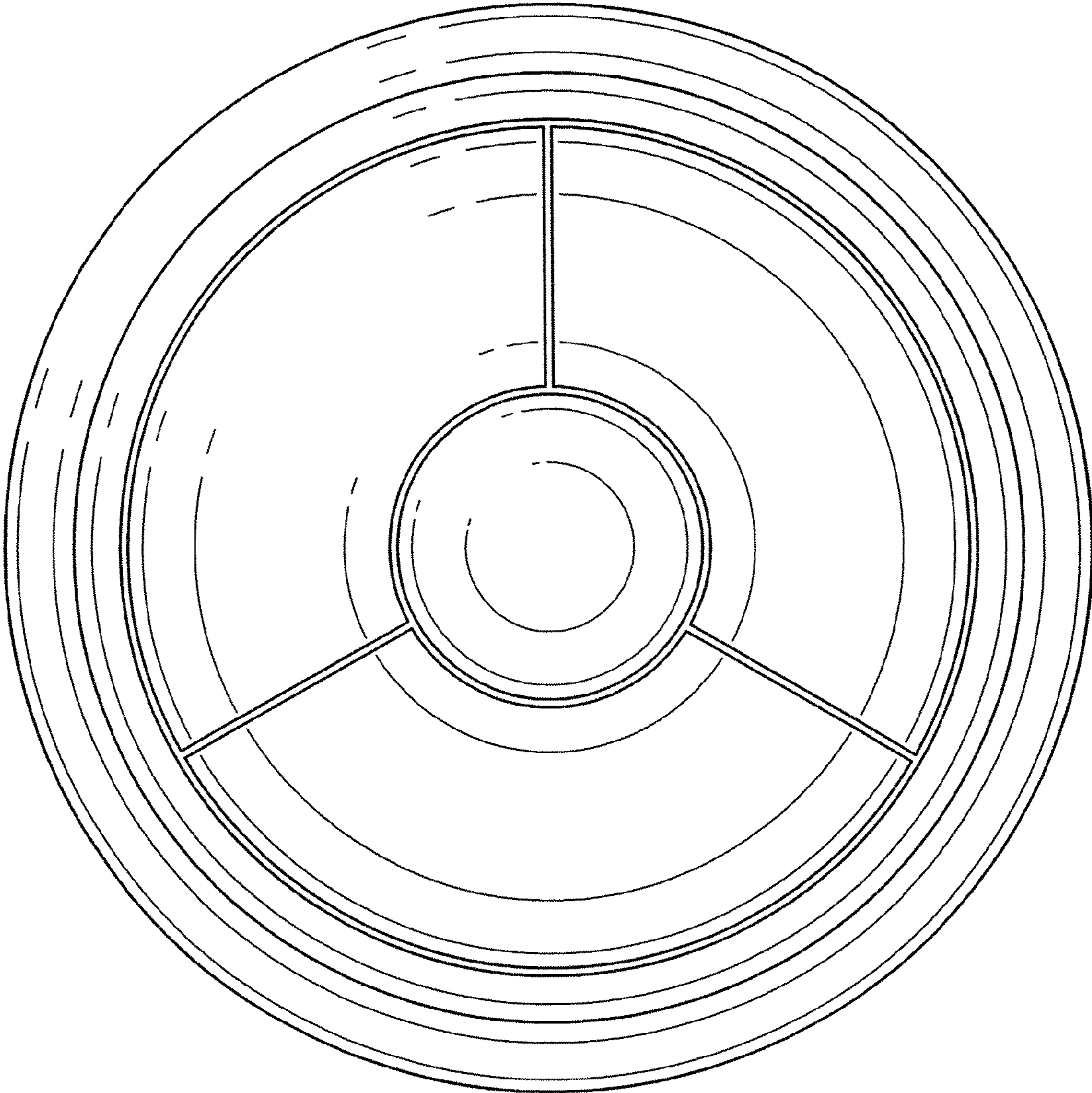


FIG. 3

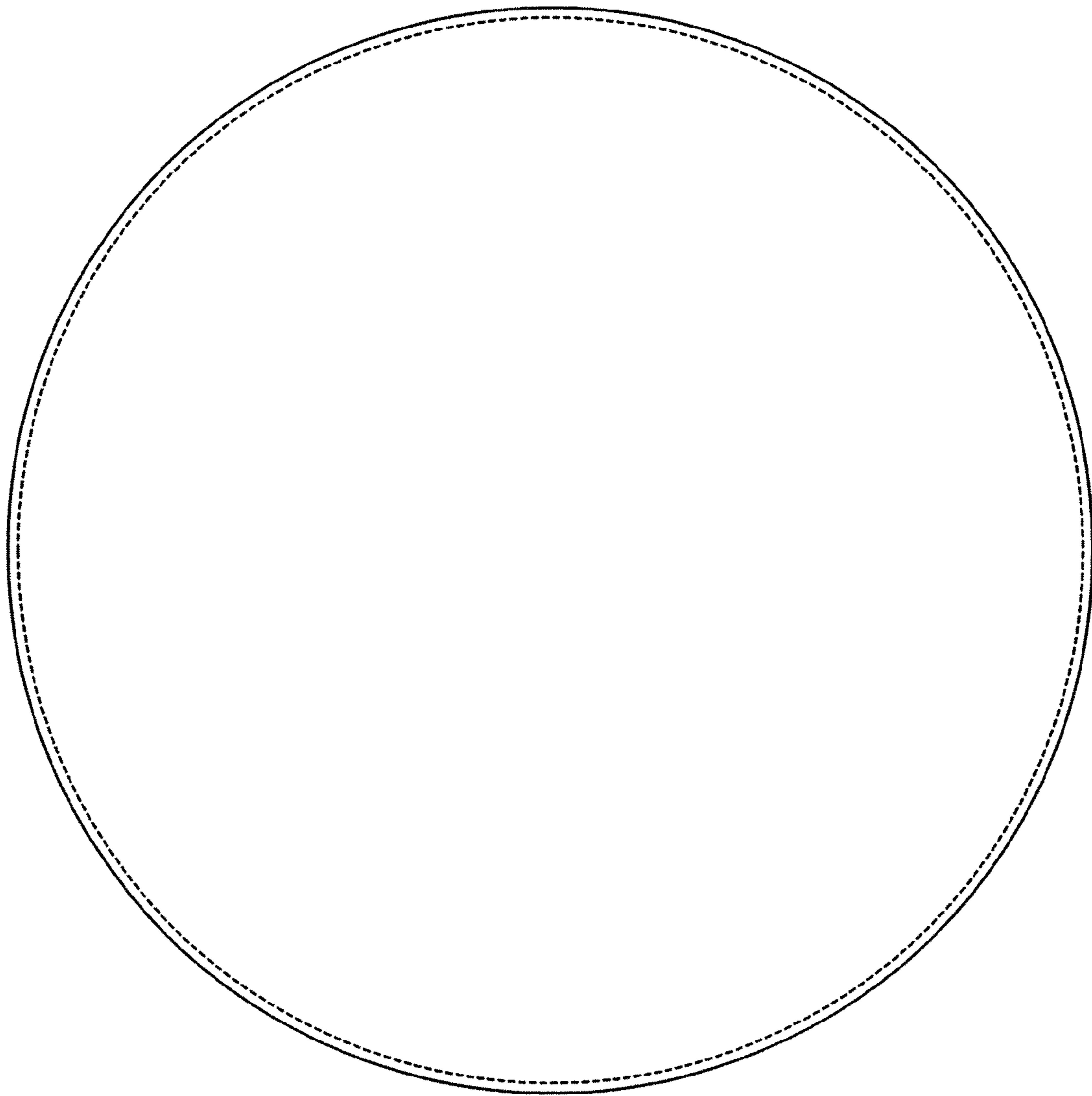


FIG. 4

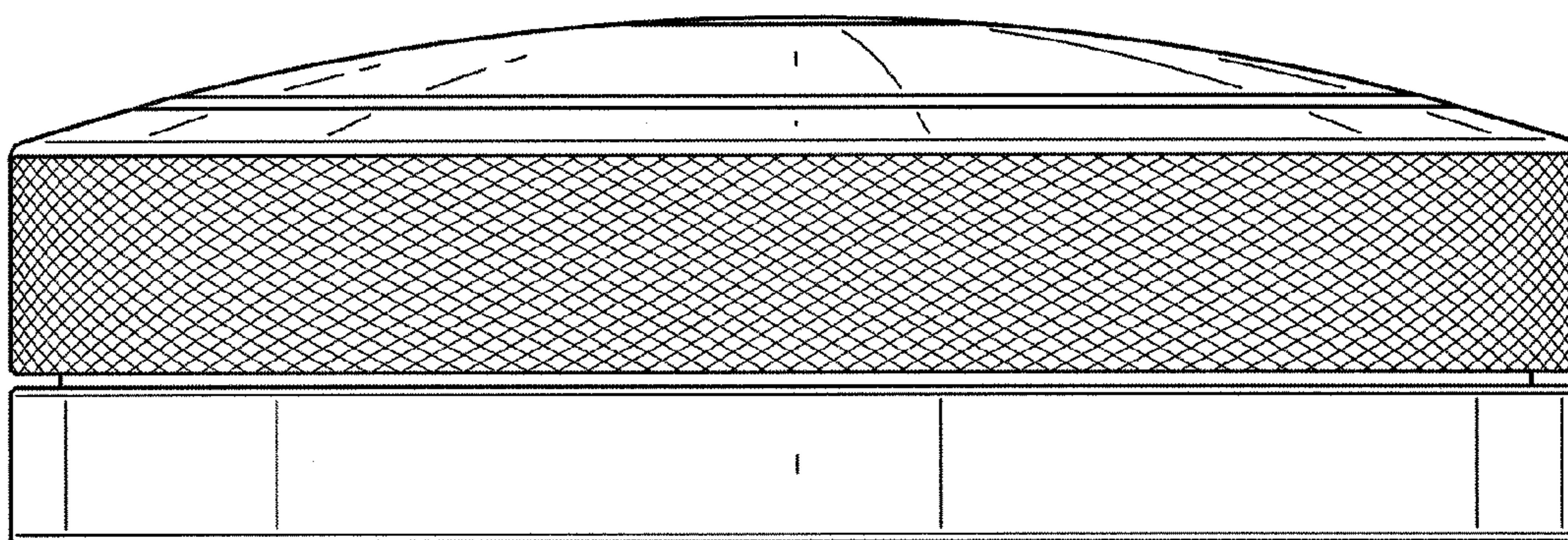


FIG. 5

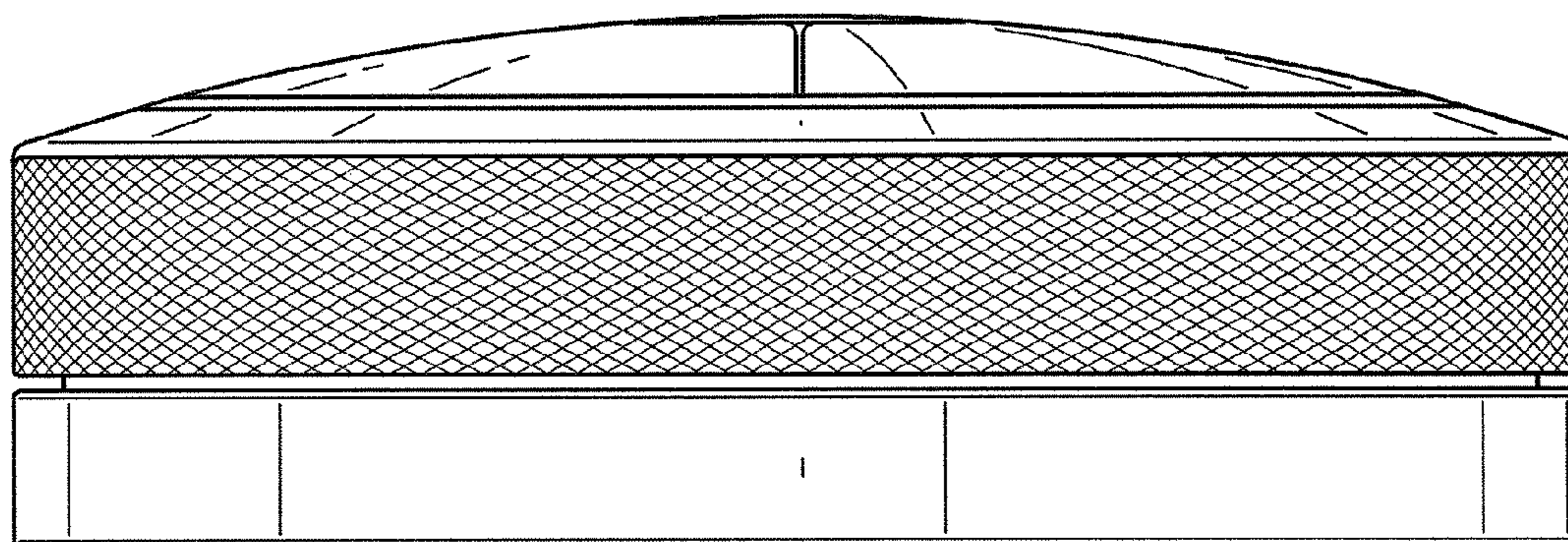


FIG. 6

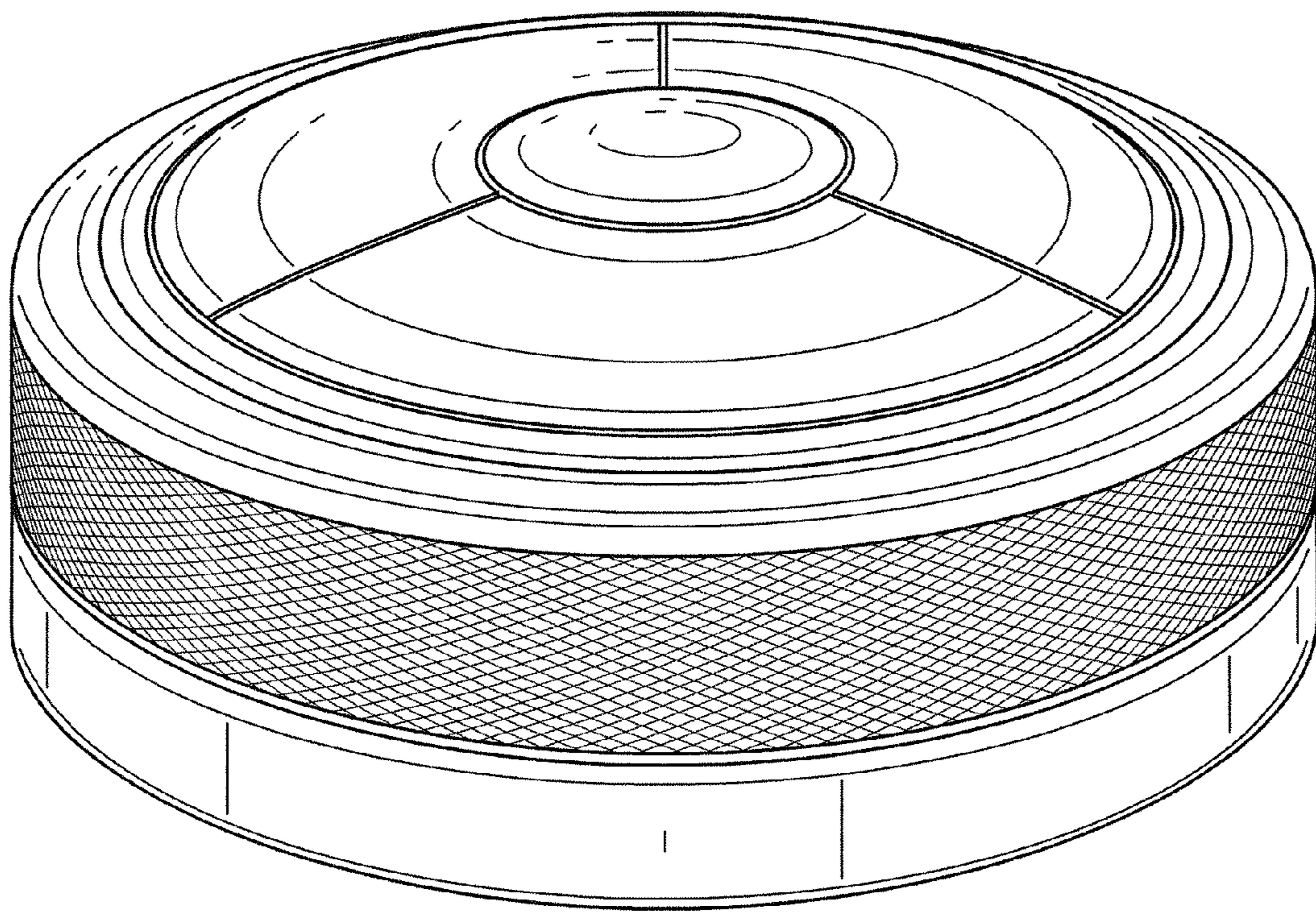


FIG. 7