



US00D652896S

(12) **United States Design Patent**
Grether

(10) **Patent No.:** **US D652,896 S**
(45) **Date of Patent:** **** Jan. 24, 2012**

(54) **FAUCET STREAM FORMER**
(75) Inventor: **Hermann Grether**, Mulheim (DE)
(73) Assignee: **Neoperl GmbH**, Mullheim (DE)
(**) Term: **14 Years**
(21) Appl. No.: **29/350,169**
(22) Filed: **Nov. 12, 2009**

(30) **Foreign Application Priority Data**

Jun. 17, 2009 (EM) 001146708-0003

(51) **LOC (9) Cl.** **23-01**
(52) **U.S. Cl.** **D23/249; D23/261**
(58) **Field of Classification Search** D23/233-237,
D23/244-249, 255, 257, 260-261, 241-242,
D23/213; 138/37, 40-42; 239/428.5, 552,
239/553.5, 553.3; 261/DIG. 22
See application file for complete search history.

(56) **References Cited**

U.S. PATENT DOCUMENTS

4,657,186	A *	4/1987	Shapiro	239/462
D428,120	S *	7/2000	Zaldivar	D23/261
6,152,182	A *	11/2000	Grether et al.	138/42
6,354,903	B1 *	3/2002	Nelson	445/58
D526,701	S *	8/2006	Grether	D23/249
D529,140	S *	9/2006	Grether	D23/249
D536,067	S *	1/2007	Grether	D23/249
D536,424	S *	2/2007	Grether	D23/249
D539,390	S *	3/2007	Grether	D23/249
D550,816	S *	9/2007	Grether	D23/249
7,357,337	B2 *	4/2008	Ferrari	239/428.5
D584,801	S *	1/2009	Grether	D23/249
D585,969	S *	2/2009	Tasi	D23/260
D591,403	S *	4/2009	Grether	D23/249

D605,732	S *	12/2009	Stein	D23/249
D622,355	S *	8/2010	Grether	D23/249
D622,818	S *	8/2010	Stein	D23/249
D623,728	S *	9/2010	Mjelde et al.	D23/261
D632,367	S *	2/2011	Stein	D23/249
D641,839	S *	7/2011	Grether	D23/249
D642,662	S *	8/2011	Grether	D23/249
2005/0247805	A1 *	11/2005	Grether	239/428.5
2006/0011748	A1 *	1/2006	Ferrari	239/428.5
2006/0102750	A1 *	5/2006	Grether	239/428.5
2006/0273203	A1 *	12/2006	Denzler	239/428.5
2008/0169361	A1 *	7/2008	Lacher et al.	239/428.5
2009/0008478	A1 *	1/2009	Grether	239/428.5
2010/0019065	A1 *	1/2010	Denzler	239/428.5
2010/0065661	A1 *	3/2010	Grether et al.	239/428.5
2011/0006132	A1 *	1/2011	Grether	239/428.5

* cited by examiner

Primary Examiner — T. Chase Nelson

Assistant Examiner — Eric Goodman

(74) *Attorney, Agent, or Firm* — Volpe and Koenig, P.C.

(57) **CLAIM**

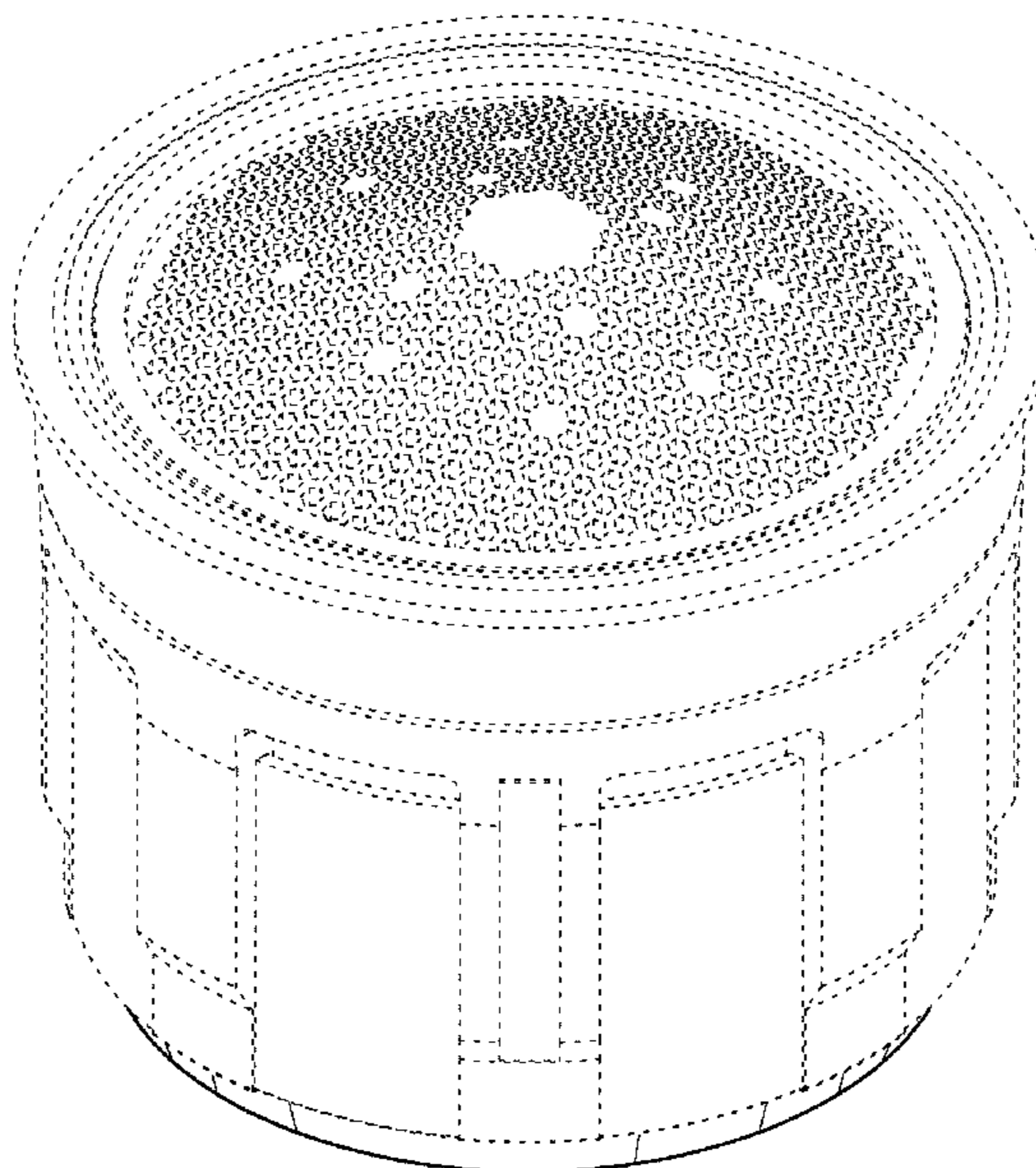
The ornamental design for a faucet stream former, as shown and described.

DESCRIPTION

FIG. 1 is a top, front perspective view of the faucet stream former in accordance with my design;
FIG. 2 is a bottom, front perspective view thereof;
FIG. 3 is a left side elevational view thereof, with the right side elevational view being a mirror image thereof;
FIG. 4 is a front elevational view thereof, with the rear elevational view being a mirror image thereof;
FIG. 5 is a top plan view thereof; and,
FIG. 6 is a bottom view thereof.

The broken lines form no part of the claimed design.

1 Claim, 6 Drawing Sheets



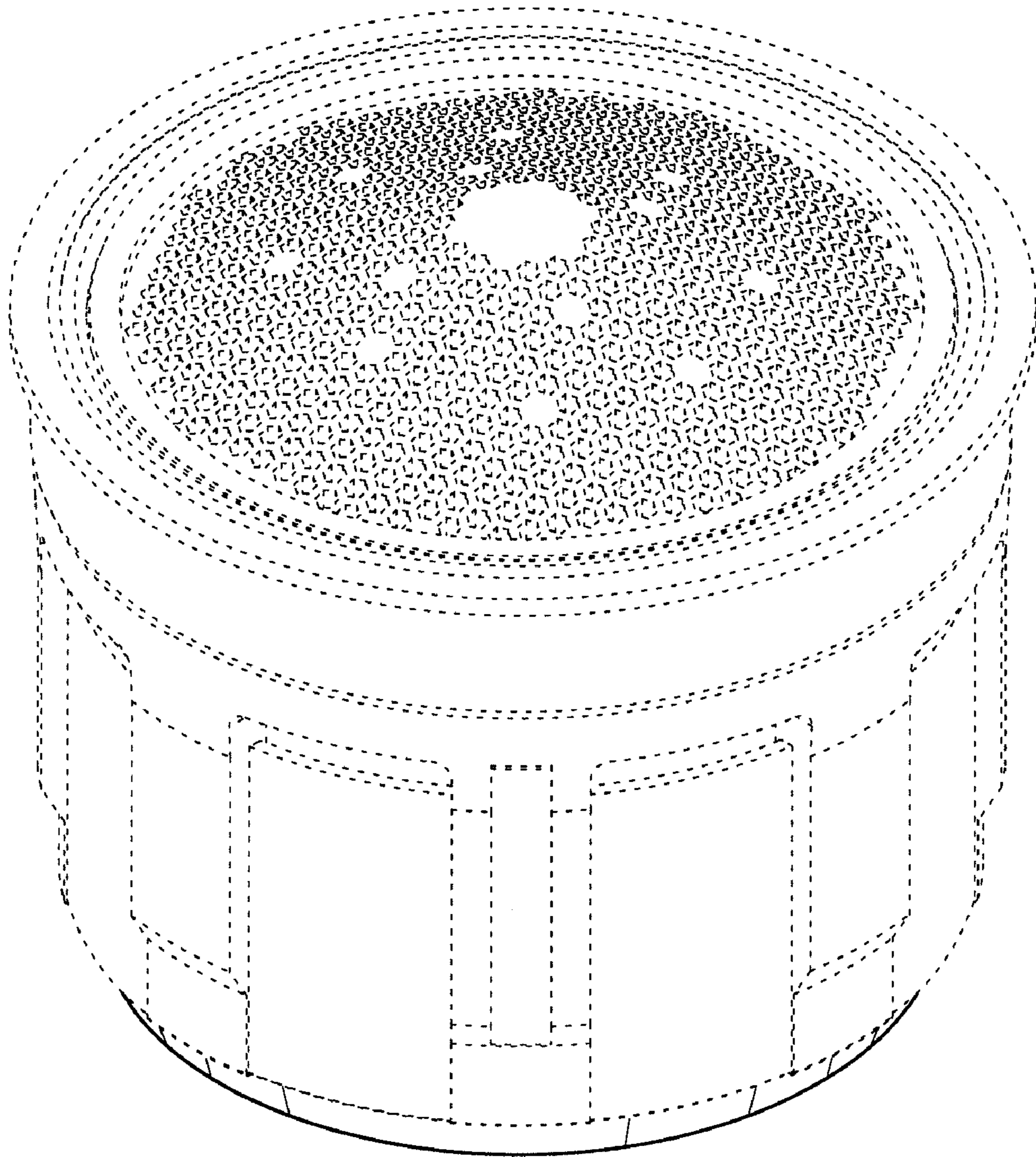


FIG. 1

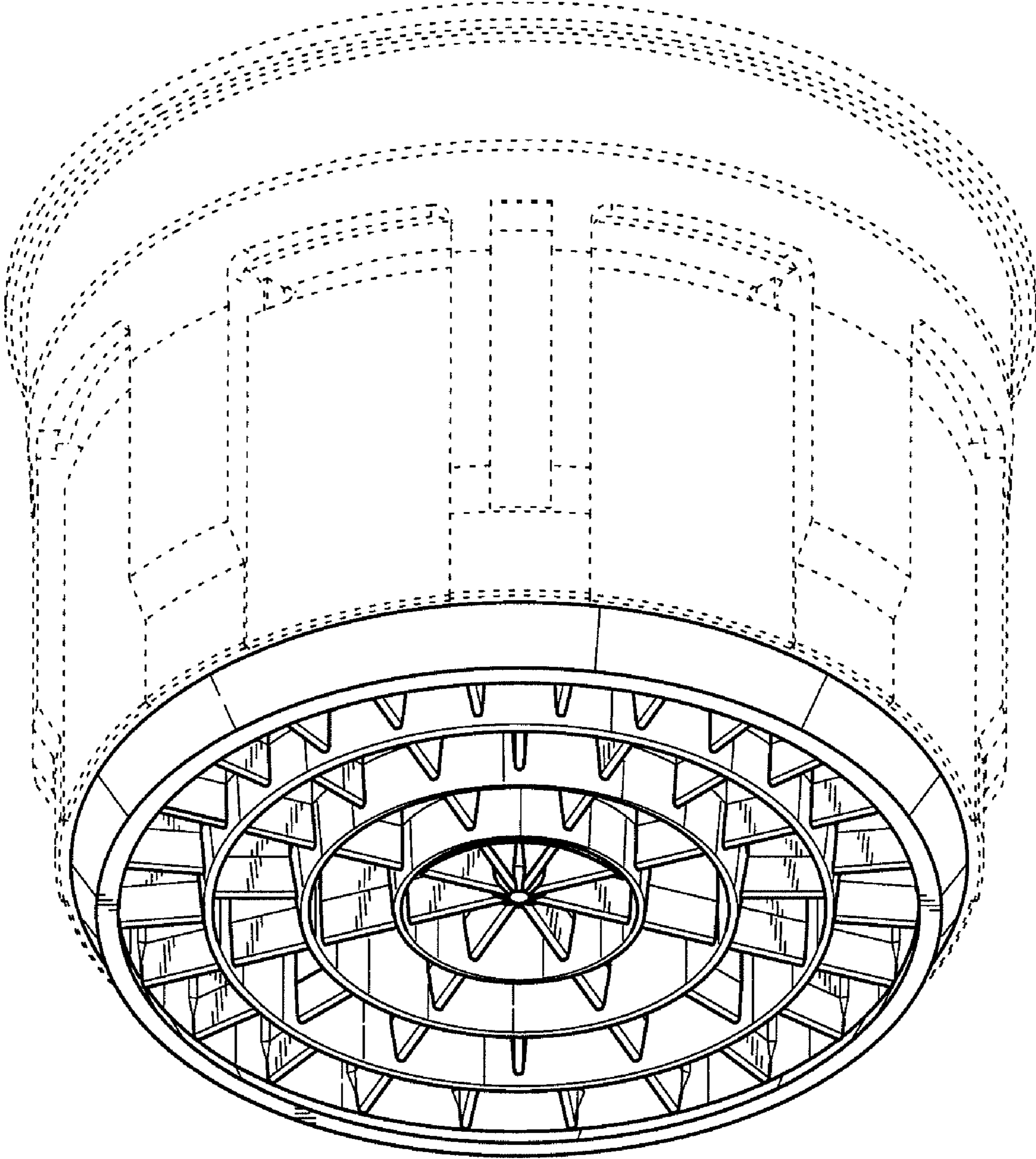


FIG. 2

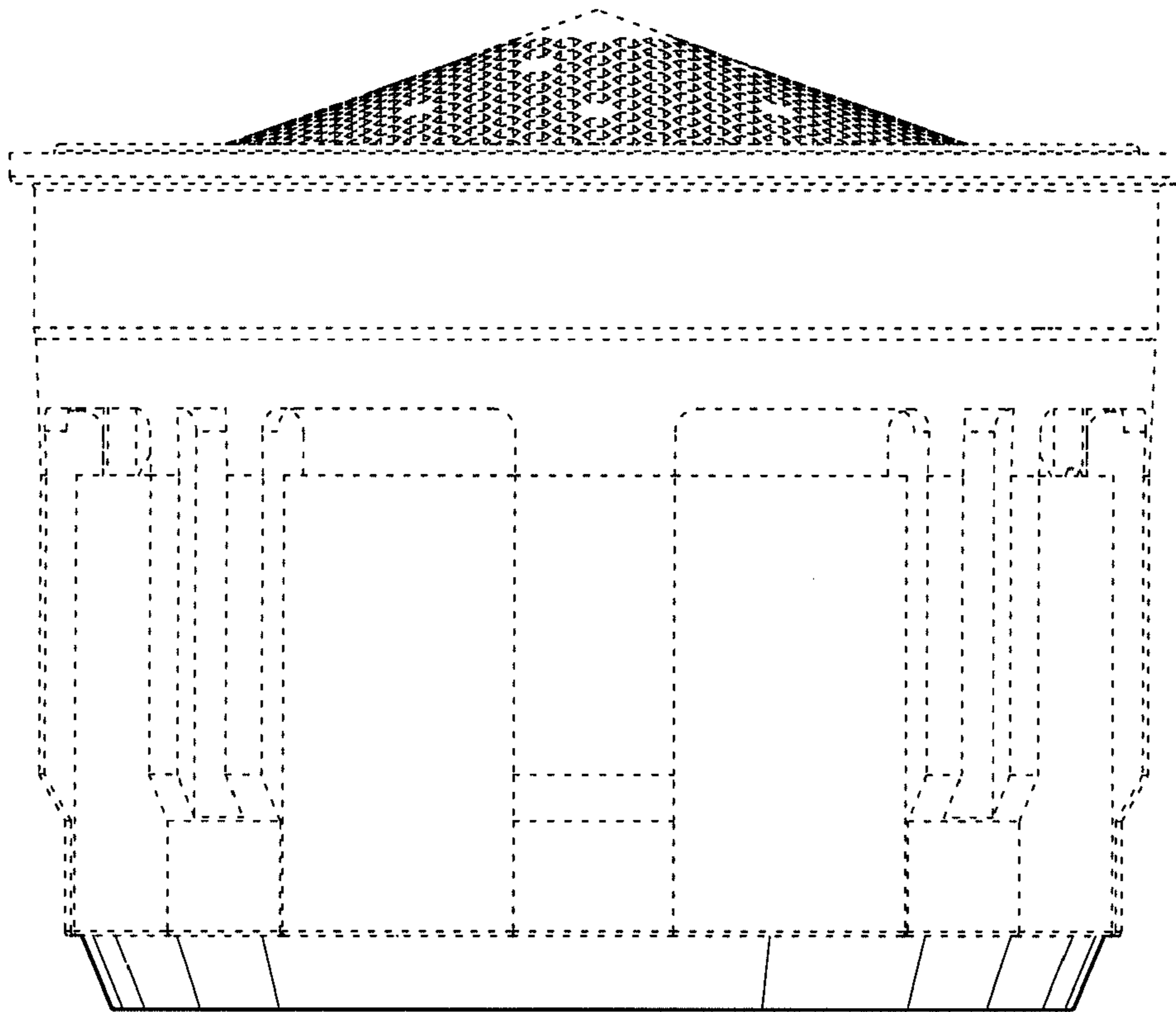


FIG. 3

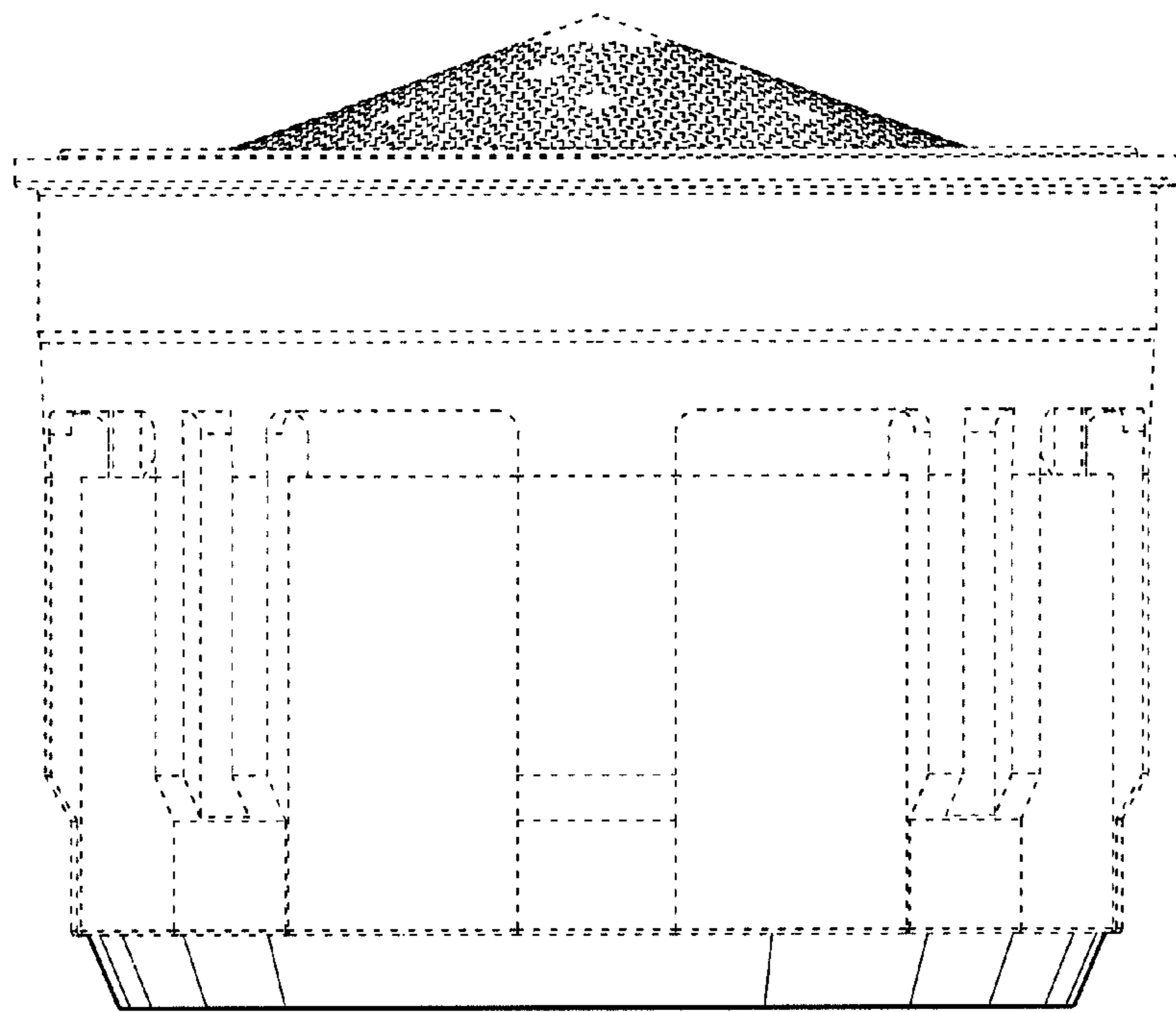


FIG. 4

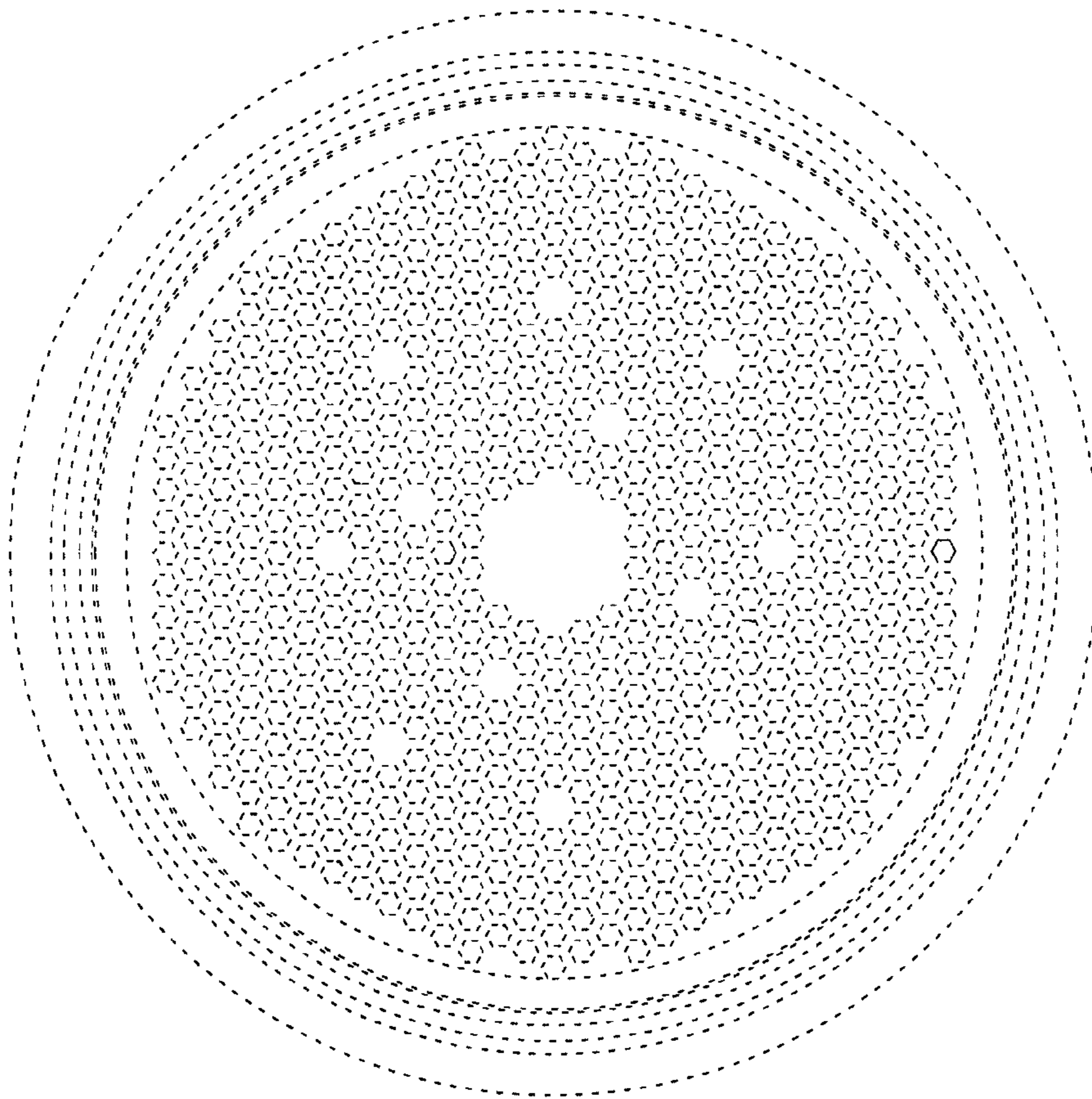


FIG. 5

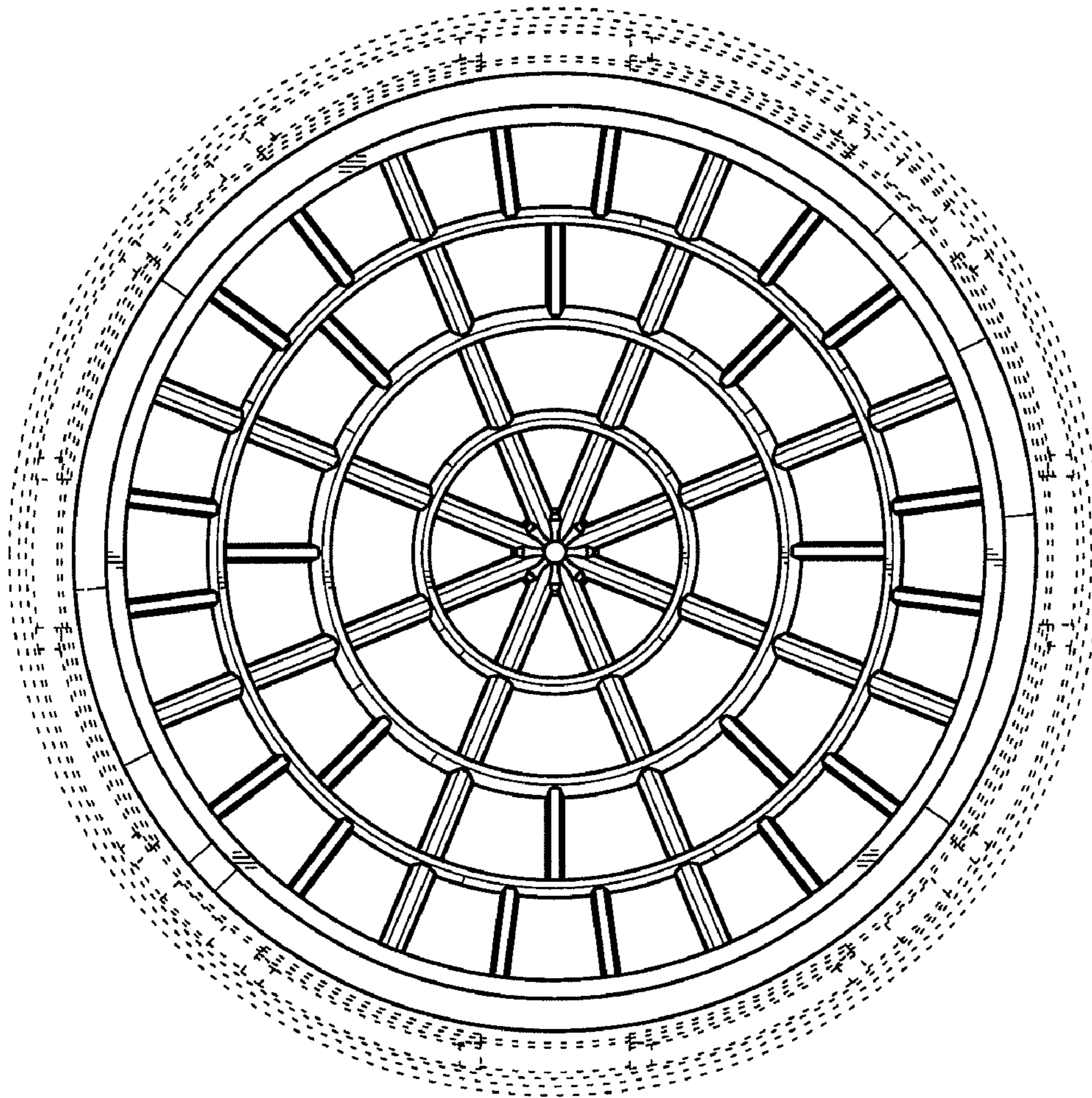


FIG. 6