



US00D652892S

(12) **United States Design Patent**
Obara et al.

(10) **Patent No.:** **US D652,892 S**
(45) **Date of Patent:** **** Jan. 24, 2012**

(54) **SHOWER HEAD**

(75) Inventors: **Mitsuya Obara**, Morrow, GA (US); **Lea Mari Mendoza**, Morrow, GA (US); **Hajime Kakihana**, Fukuoka (JP)

(73) Assignee: **Toto Ltd.**, Kitakyushu-shi, Fukuoka (JP)

(**) Term: **14 Years**

(21) Appl. No.: **29/389,458**

(22) Filed: **Apr. 12, 2011**

(51) **LOC (9) Cl.** **23-01**

(52) **U.S. Cl.** **D23/213; D23/223**

(58) **Field of Classification Search** **D23/213, D23/223, 226, 229, 230; 239/462, 394, 282-283; 4/615**

See application file for complete search history.

(56) **References Cited**

U.S. PATENT DOCUMENTS

D484,945 S *	1/2004	Ouyoung	D23/213
D619,205 S *	7/2010	Jian et al.	D23/223
D621,474 S *	8/2010	Kwok	D23/223

* cited by examiner

Primary Examiner — Robin V Webster

(74) *Attorney, Agent, or Firm* — Banner & Witcoff, Ltd

(57) **CLAIM**

The ornamental design for a shower head, as shown and described.

DESCRIPTION

FIG. 1 is a perspective view of a shower head according to our new design;

FIG. 2 is a front view thereof;

FIG. 3 is a rear view thereof;

FIG. 4 is a left side view thereof;

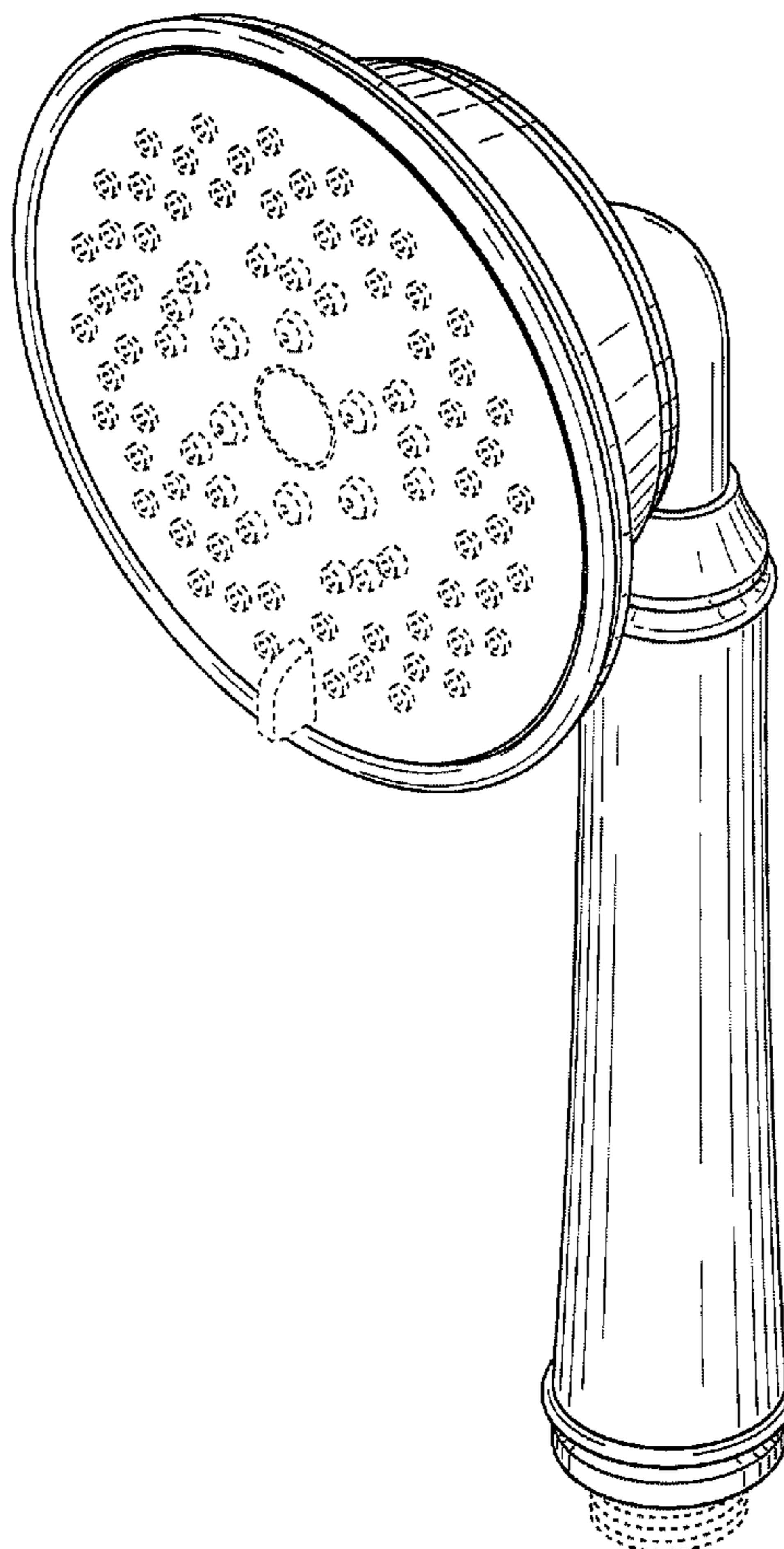
FIG. 5 is a right side view thereof;

FIG. 6 is a top plan view thereof; and,

FIG. 7 is a bottom view thereof.

The portions of the article in broken lines are shown for illustrative purposes only and form no part of the claimed design.

1 Claim, 6 Drawing Sheets



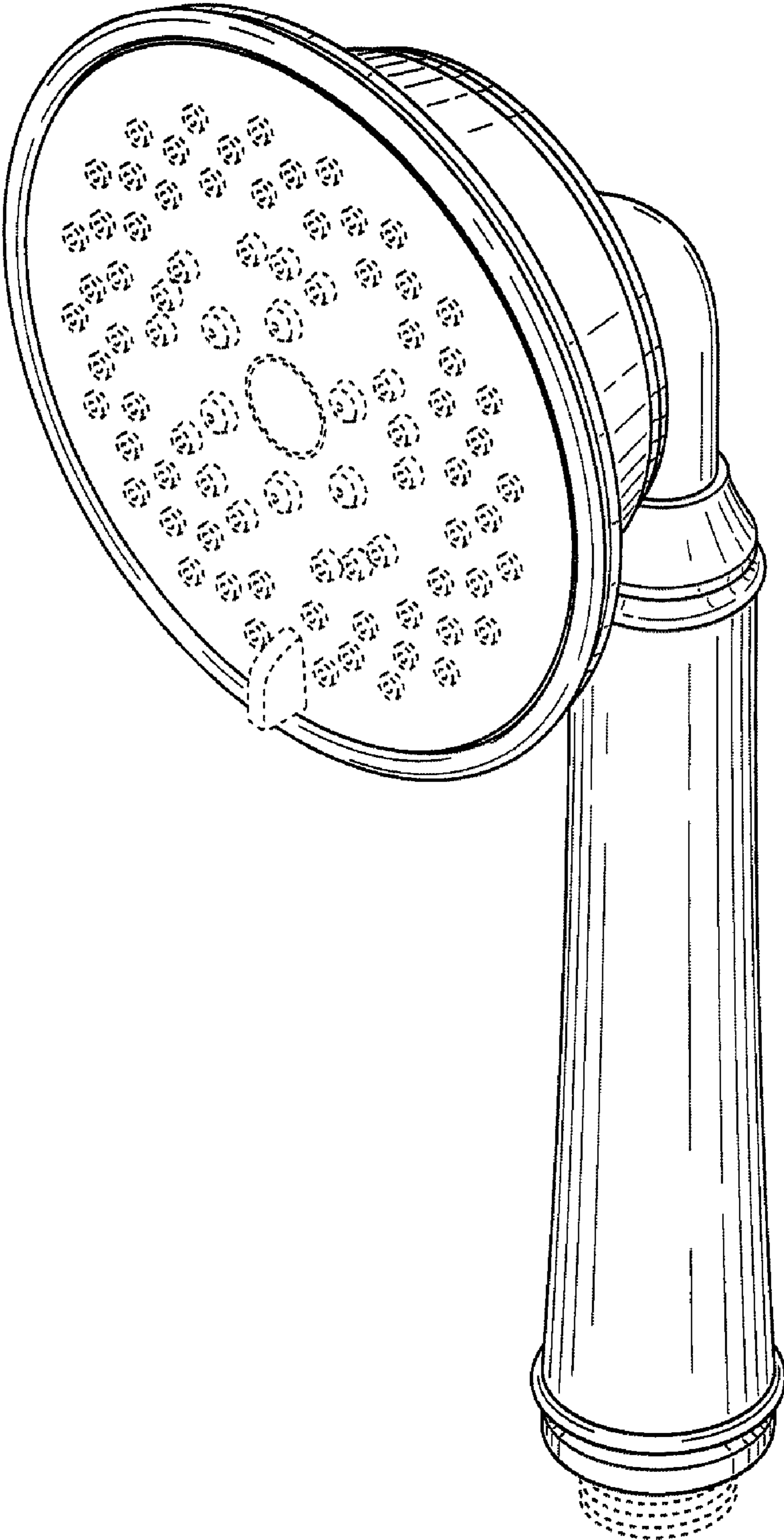


FIG. 1

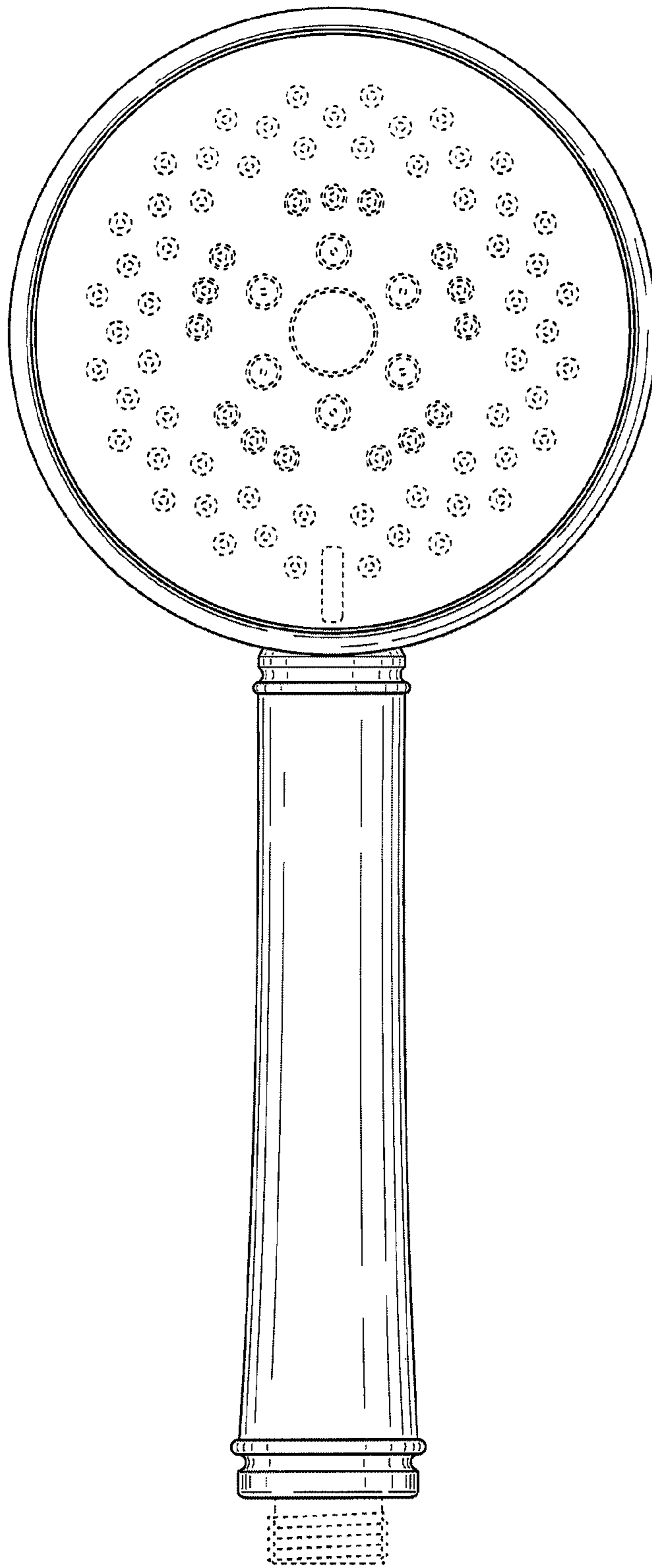


FIG. 2

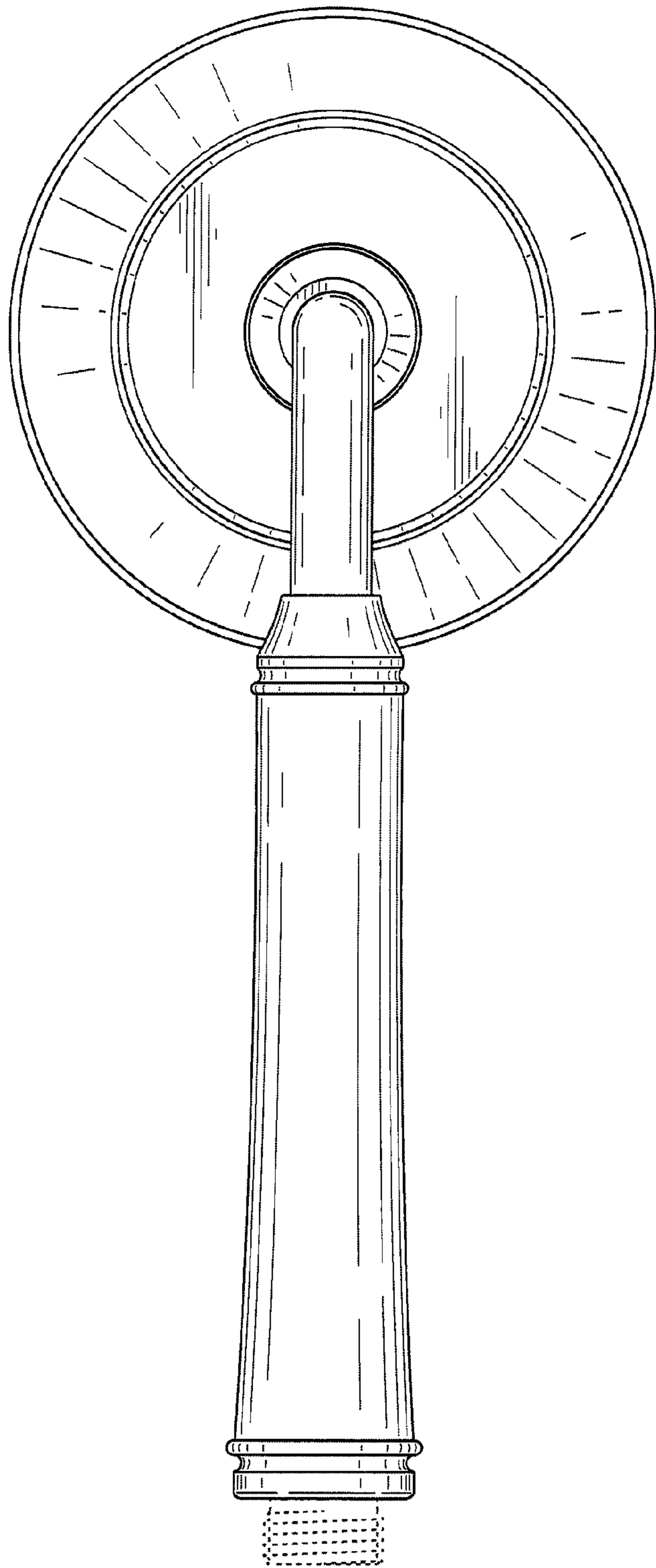


FIG. 3

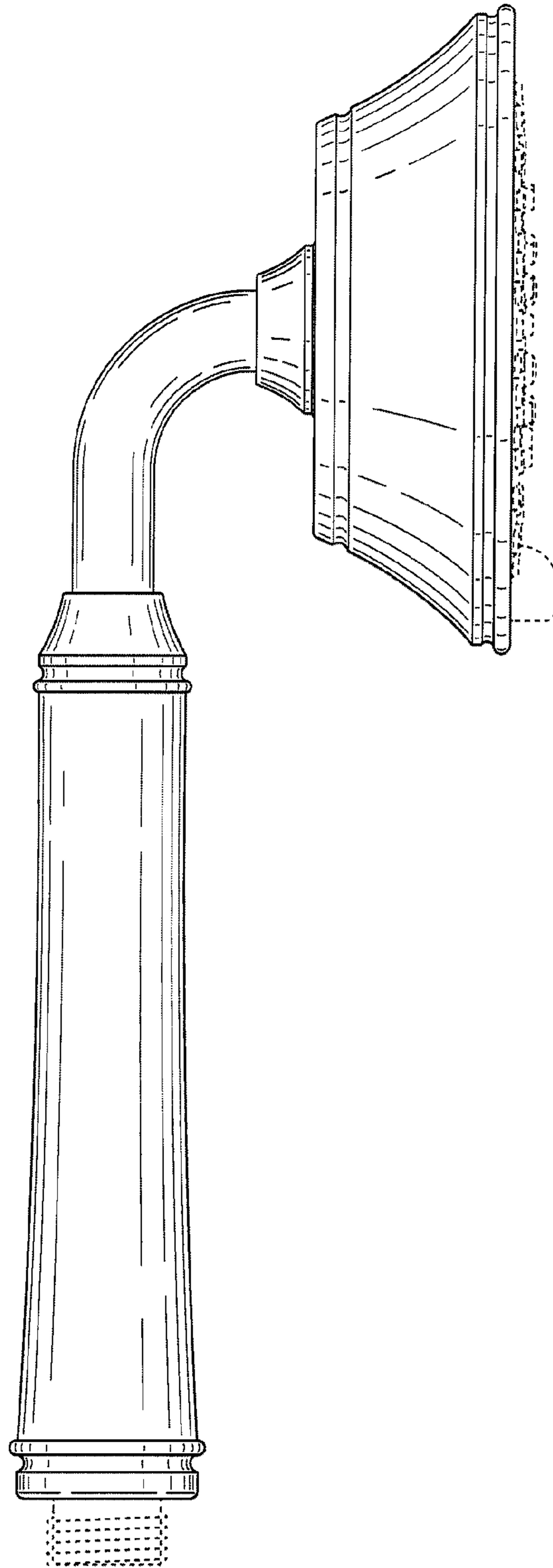


FIG. 4

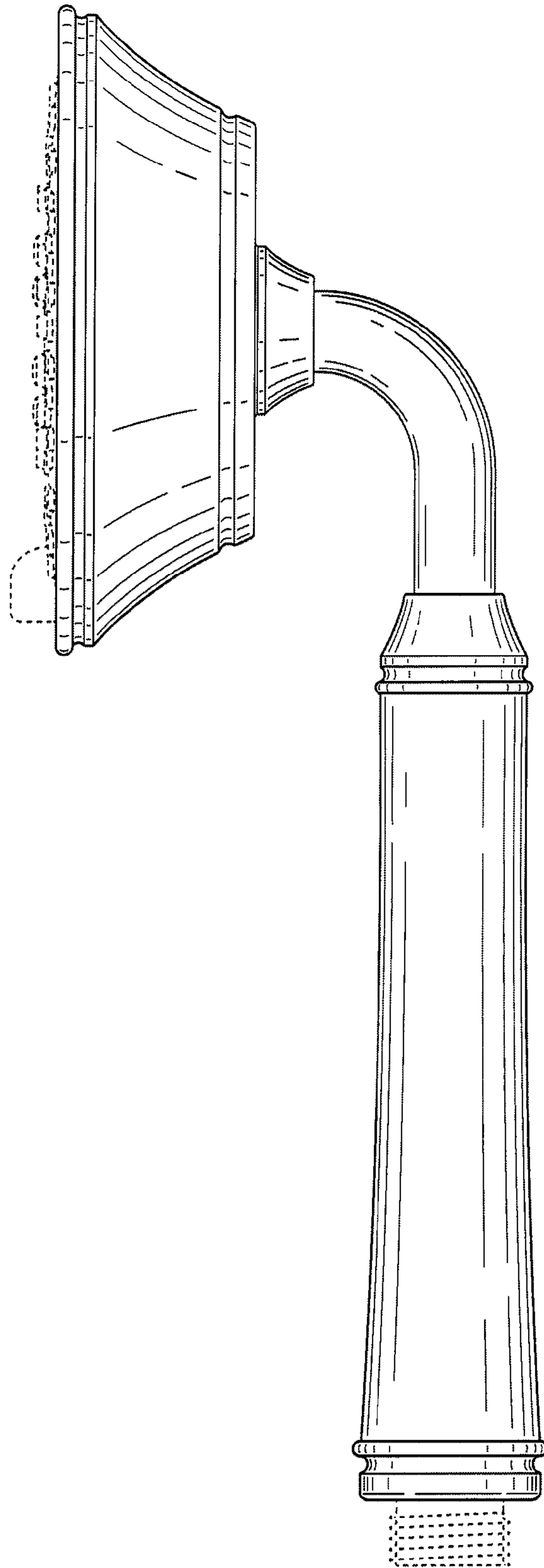


FIG. 5

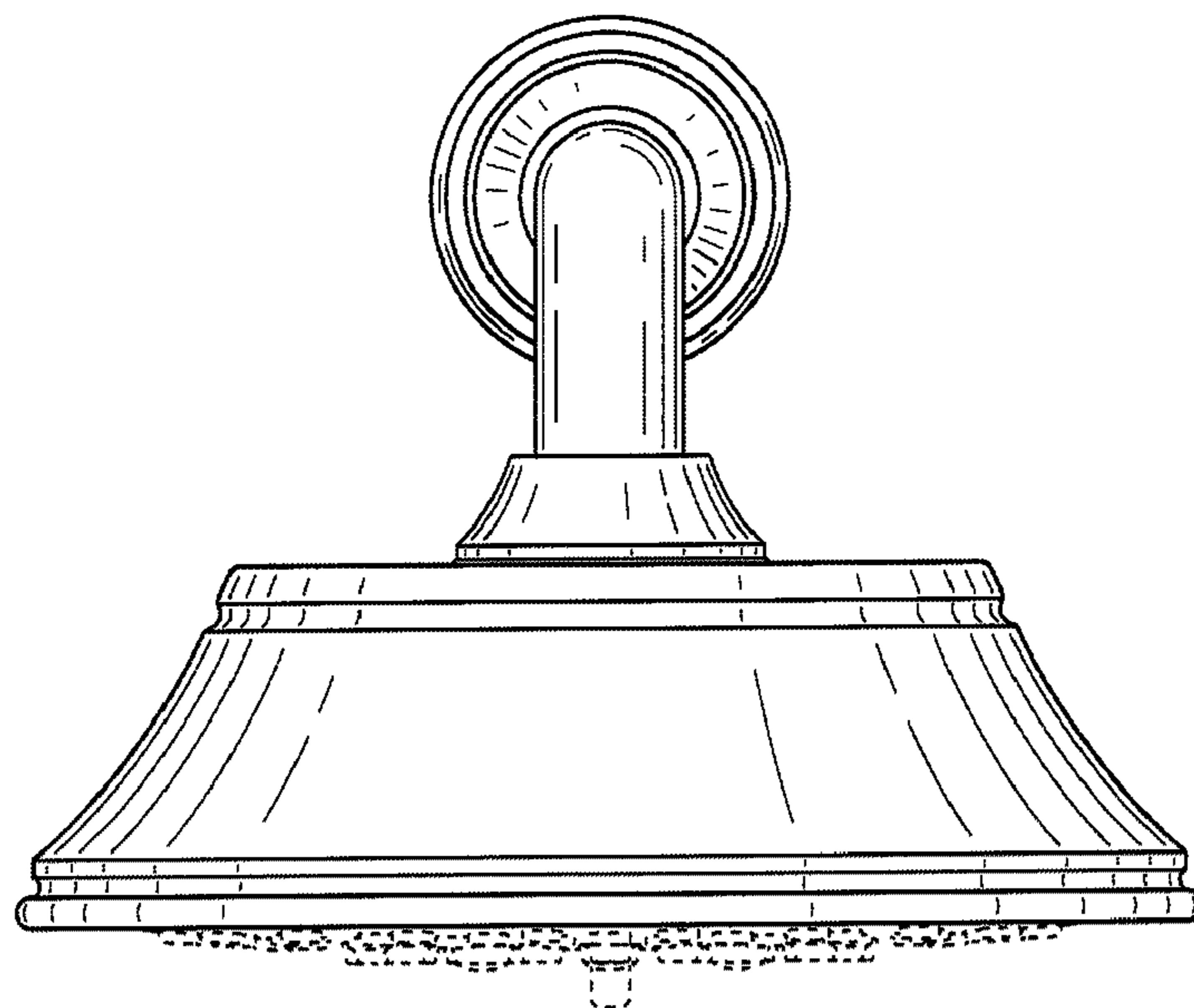


FIG. 6

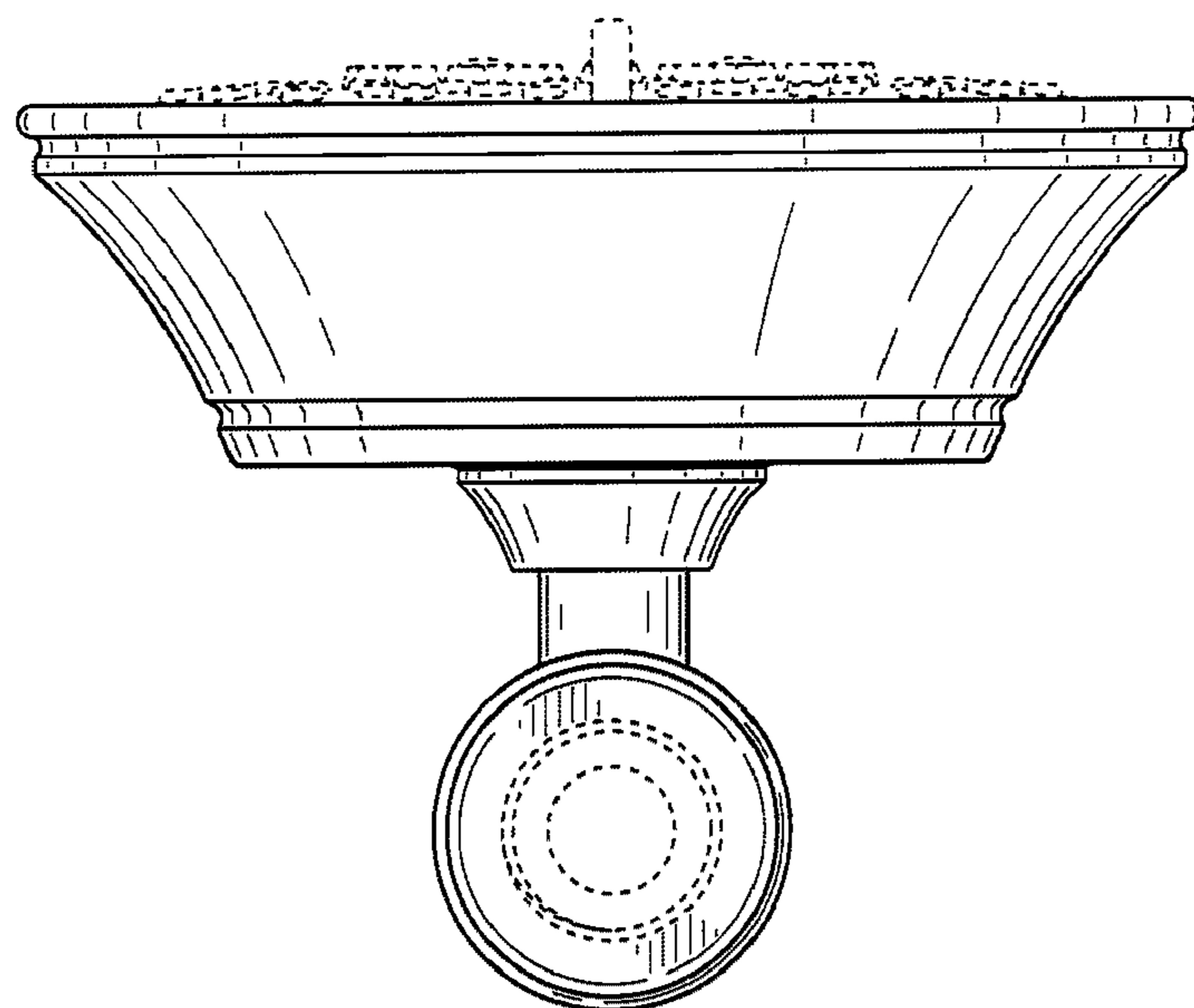


FIG. 7