



US00D652887S

(12) **United States Design Patent**  
**Trusty**

(10) **Patent No.:** **US D652,887 S**

(45) **Date of Patent:** **\*\* Jan. 24, 2012**

(54) **LOW PROFILE MOUNT FOR A FIREARM**

(76) Inventor: **Jason G. Trusty**, Portage, IN (US)

(\*\*) Term: **14 Years**

(21) Appl. No.: **29/388,872**

(22) Filed: **Apr. 4, 2011**

**Related U.S. Application Data**

(62) Division of application No. 29/355,382, filed on Feb. 5, 2010.

(51) **LOC (9) Cl.** ..... **22-01**

(52) **U.S. Cl.** ..... **D22/108**

(58) **Field of Classification Search** ..... D22/100,  
D22/101, 103, 104, 108, 199; D21/572,  
D21/573; 42/51, 71.01, 75.01, 75.02, 90,  
42/94, 134, 136, 139, 125, 72, 111; 362/110;  
89/40.06, 41.19, 37.04, 33.04, 191.01, 200-204;  
124/67, 66, 72, 74

See application file for complete search history.

(56) **References Cited**

**U.S. PATENT DOCUMENTS**

4,733,489 A *	3/1988	Kurak	.....	42/77
6,725,594 B2 *	4/2004	Hines	.....	42/90
D508,726 S *	8/2005	Storch	.....	D22/108
D625,378 S *	10/2010	Fitzpatrick et al.	.....	D22/108

\* cited by examiner

*Primary Examiner* — Michael Pratt

(74) *Attorney, Agent, or Firm* — Carlson Gaskey & Olds P.C.

(57) **CLAIM**

I claim the ornamental design for the low profile mount for a firearm, as shown and described.

**DESCRIPTION**

FIG. 1 is a perspective view of a low profile mount for a firearm mounted to a rail system on an unclaimed upper receiver of a firearm;

FIG. 2 is a first perspective view of a low profile mount for a firearm;

FIG. 3 is another perspective view of a low profile mount for a firearm;

FIG. 4 is a top view of a low profile mount for a firearm;

FIG. 5 is a first side view of a low profile mount for a firearm;

FIG. 6 is a second side view of a low profile mount for a firearm;

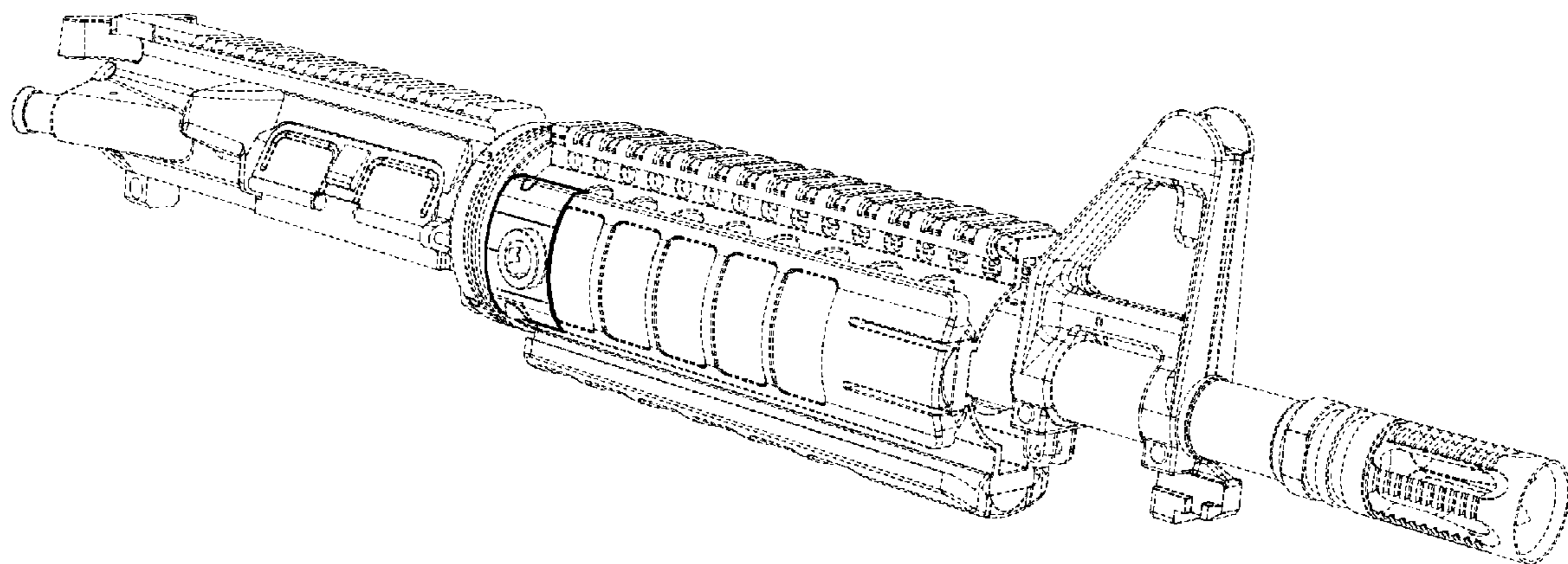
FIG. 7 is a first end view of a low profile mount for a firearm;

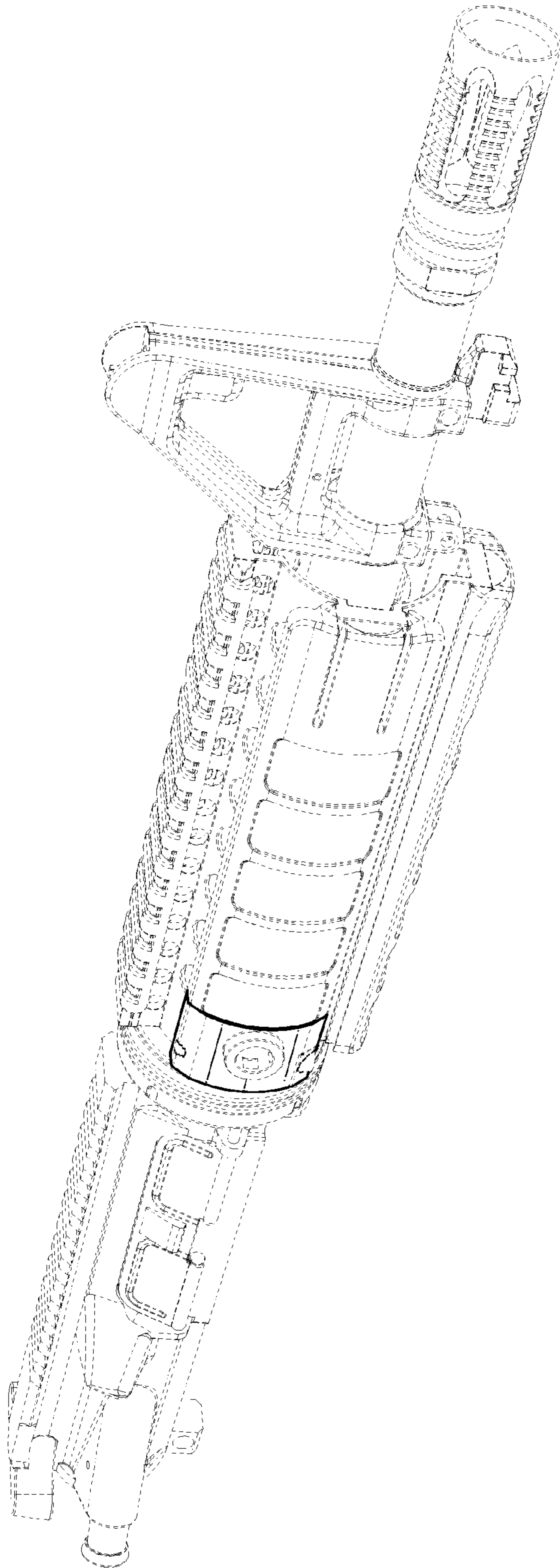
FIG. 8 is a second end view of a low profile mount for a firearm; and,

FIG. 9 is a bottom view of a low profile mount for a firearm.

The broken line showing of portions of the low profile mount for a firearm in FIGS. 1 through 8 are for the purpose of illustrating boundaries of the unclaimed portions of the design. The firearm in FIG. 1 is included for the purpose of illustrating environment and forms no part of the claimed design.

**1 Claim, 2 Drawing Sheets**





**FIG.1**

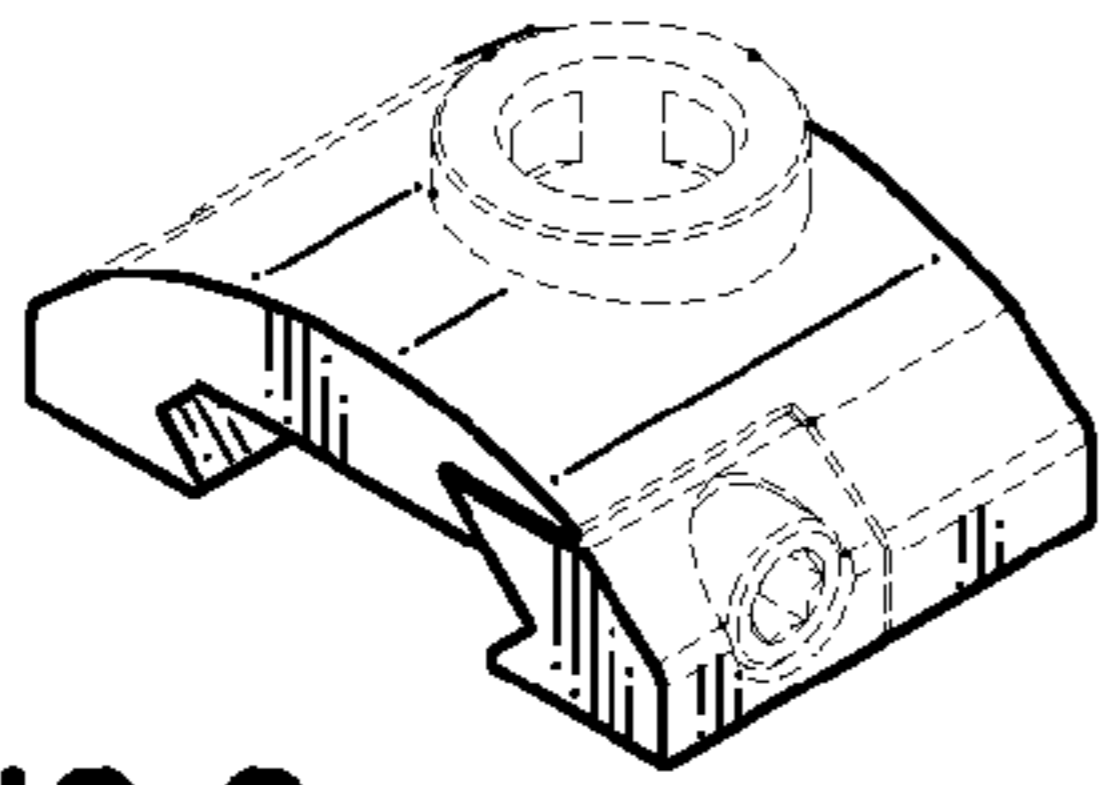


FIG. 2

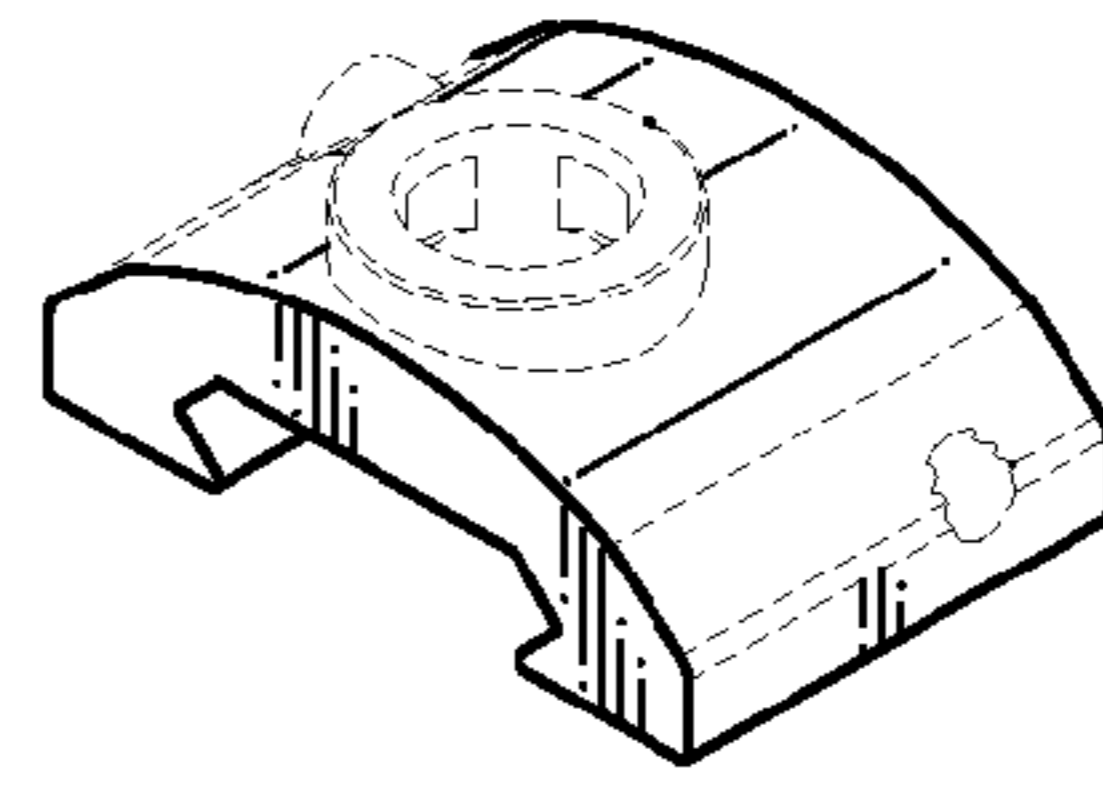


FIG. 3

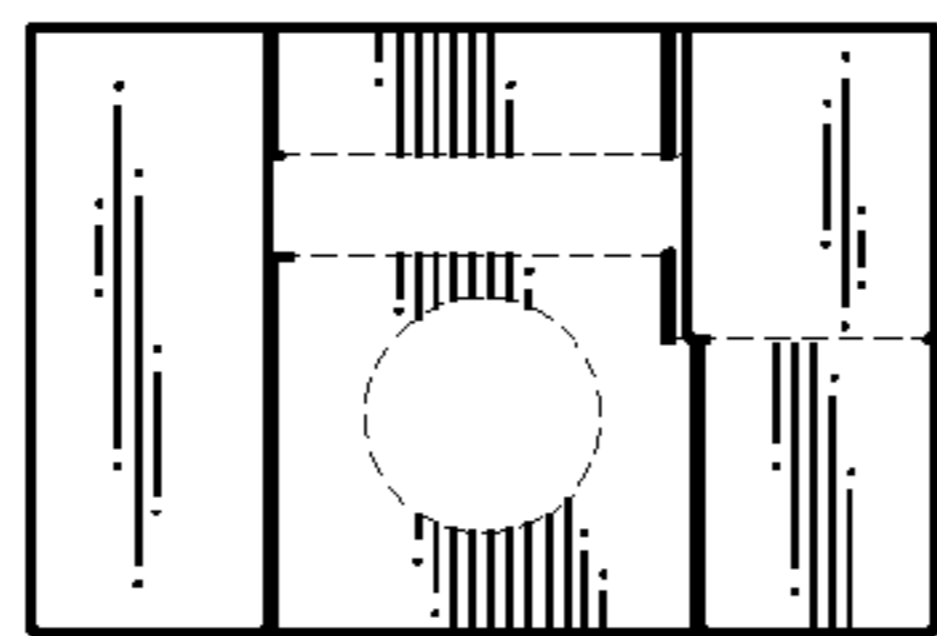


FIG. 9

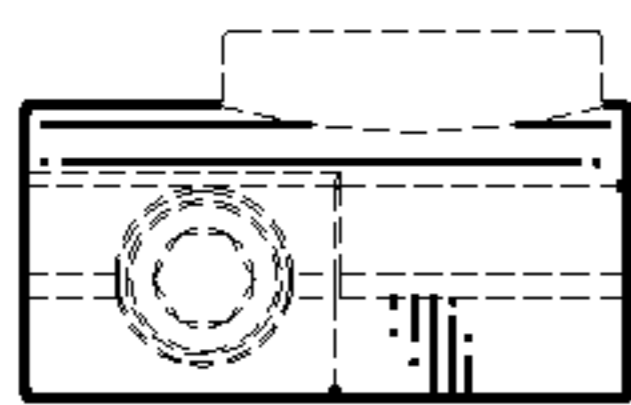


FIG. 5

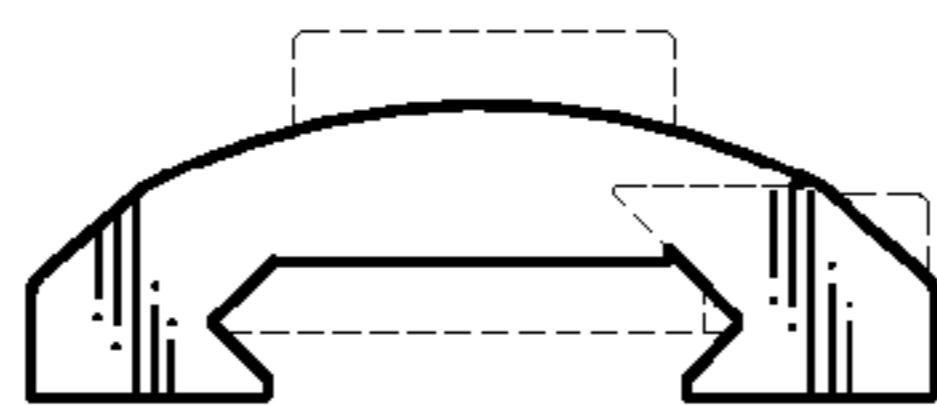


FIG. 7

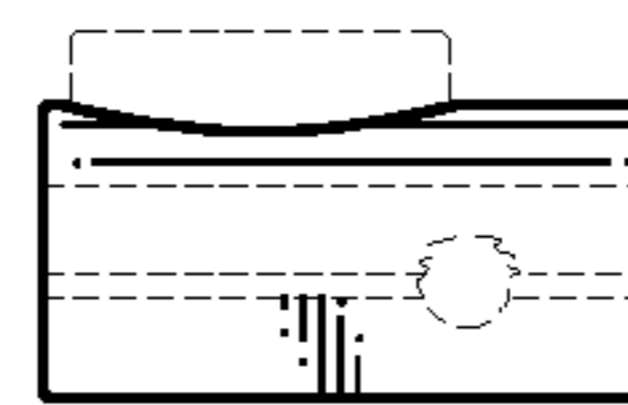


FIG. 6

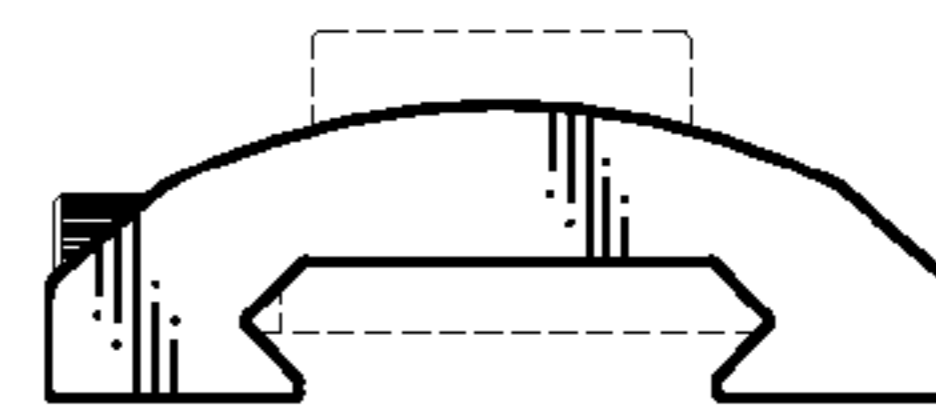


FIG. 8

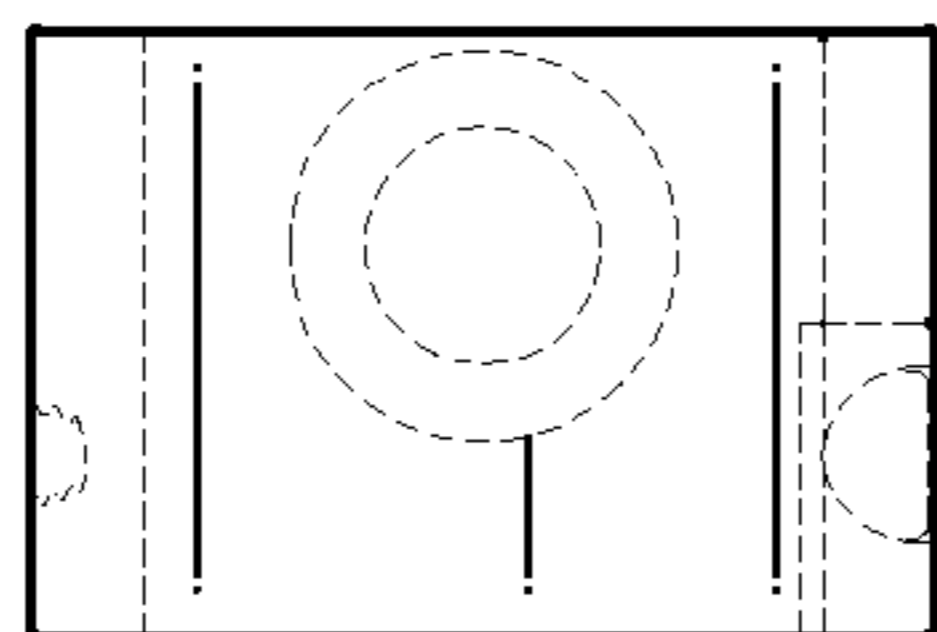


FIG. 4