



US00D652886S

(12) **United States Design Patent**  
**Pedersen et al.**

(10) **Patent No.:** **US D652,886 S**  
(45) **Date of Patent:** **\*\* Jan. 24, 2012**

- (54) **TENT**
- (75) Inventors: **Sara Lynne Pedersen**, Minneapolis, MN (US); **Mari Lynn Anderson**, Minneapolis, MN (US); **Michael Miller Habig**, Minneapolis, MN (US)
- (73) Assignee: **Target Brands, Inc.**, Minneapolis, MN (US)
- (\*\*) Term: **14 Years**
- (21) Appl. No.: **29/378,106**
- (22) Filed: **Oct. 29, 2010**
- (51) **LOC (9) Cl.** ..... **21-04**
- (52) **U.S. Cl.** ..... **D21/834**
- (58) **Field of Classification Search** ..... D21/834, D21/836-839; D25/13, 16, 17, 18, 20, 26, D25/32, 56, 57; 135/87, 90, 93, 94, 96-99, 135/115, 117, 121, 124-128, 133, 135, 138, 135/143, 157, 900, 908; 296/159-161  
See application file for complete search history.

(56) **References Cited**

**U.S. PATENT DOCUMENTS**

2,742,912	A	4/1956	Blanchard	
3,598,133	A	8/1971	Abert	
3,621,857	A	11/1971	May et al.	
3,943,952	A *	3/1976	Marquart et al.	135/93
4,269,210	A	5/1981	Marks	
4,285,355	A	8/1981	Lundblade	
4,709,718	A *	12/1987	Nichols	135/125
4,858,635	A	8/1989	Eppenbach	
D323,869	S	2/1992	Cantwell	
D325,063	S *	3/1992	Cantwell	D21/834
5,638,850	A	6/1997	Hazinski et al.	
5,660,197	A *	8/1997	Boe et al.	135/116
D403,041	S *	12/1998	Funk	D21/834
D457,590	S *	5/2002	Olson et al.	D21/834
6,499,497	B1	12/2002	Swetish et al.	
D470,559	S *	2/2003	Funk et al.	D21/834
D478,645	S	8/2003	Pearcy	
6,892,742	B2	5/2005	Wang	
D516,155	S	2/2006	Goodwin et al.	
D519,595	S	4/2006	Goodwin et al.	
D534,614	S *	1/2007	Gallaway et al.	D21/834

7,182,092 B1 2/2007 Cantwell  
(Continued)

**OTHER PUBLICATIONS**

Cabela's Trekker Backpacking Dome Tent, <http://www.cabelas.com/cabelas/en/templates/pod/horizontal-pod.jsp?id=0066790&navCount=2&parentId=cat602107&masterpathid=&nav...>, 2 pages. Publicly available at least one year prior to Oct. 29, 2010.

(Continued)

*Primary Examiner* — Cynthia M Chin

(74) *Attorney, Agent, or Firm* — Griffiths & Seaton PLLC

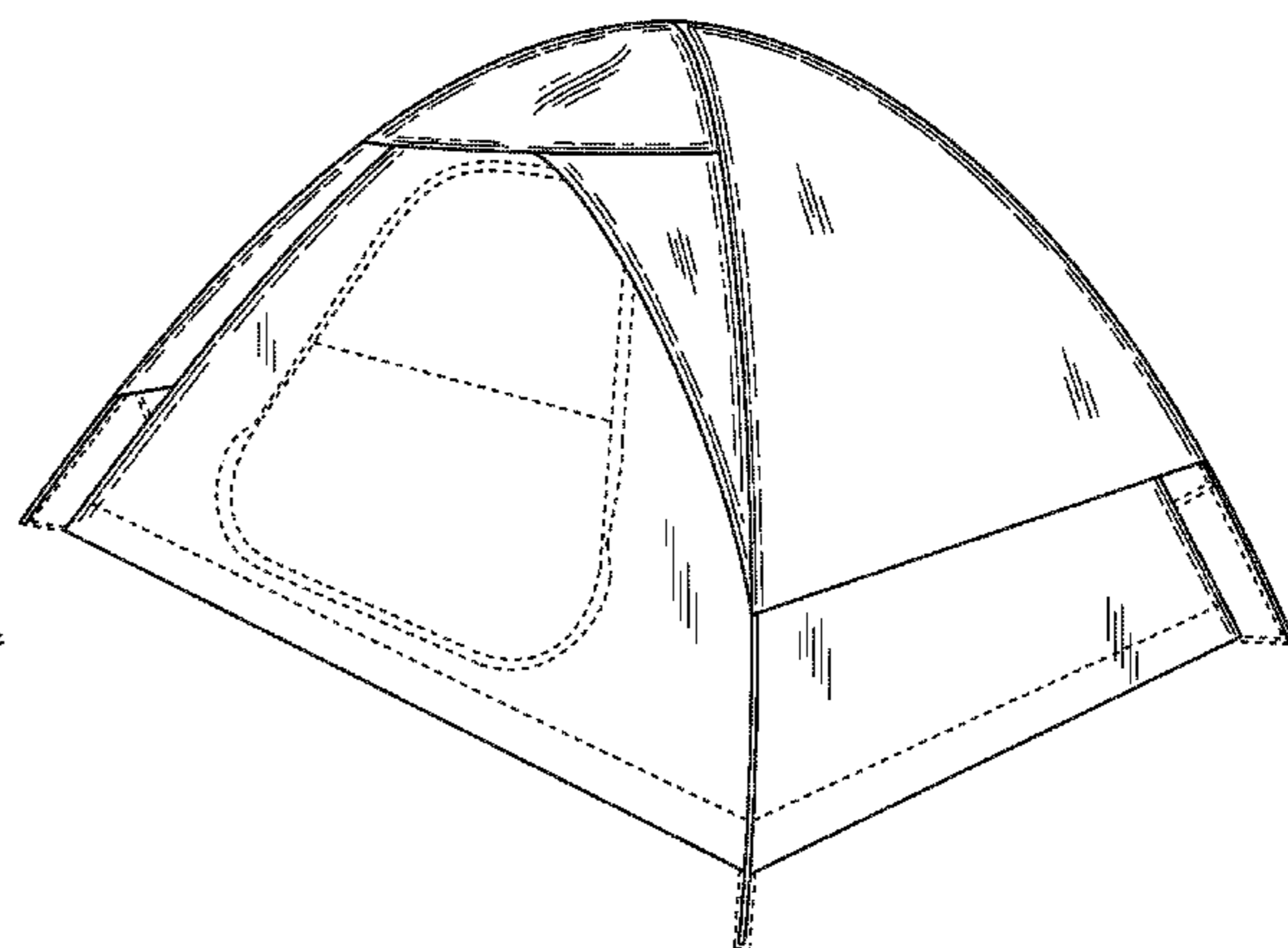
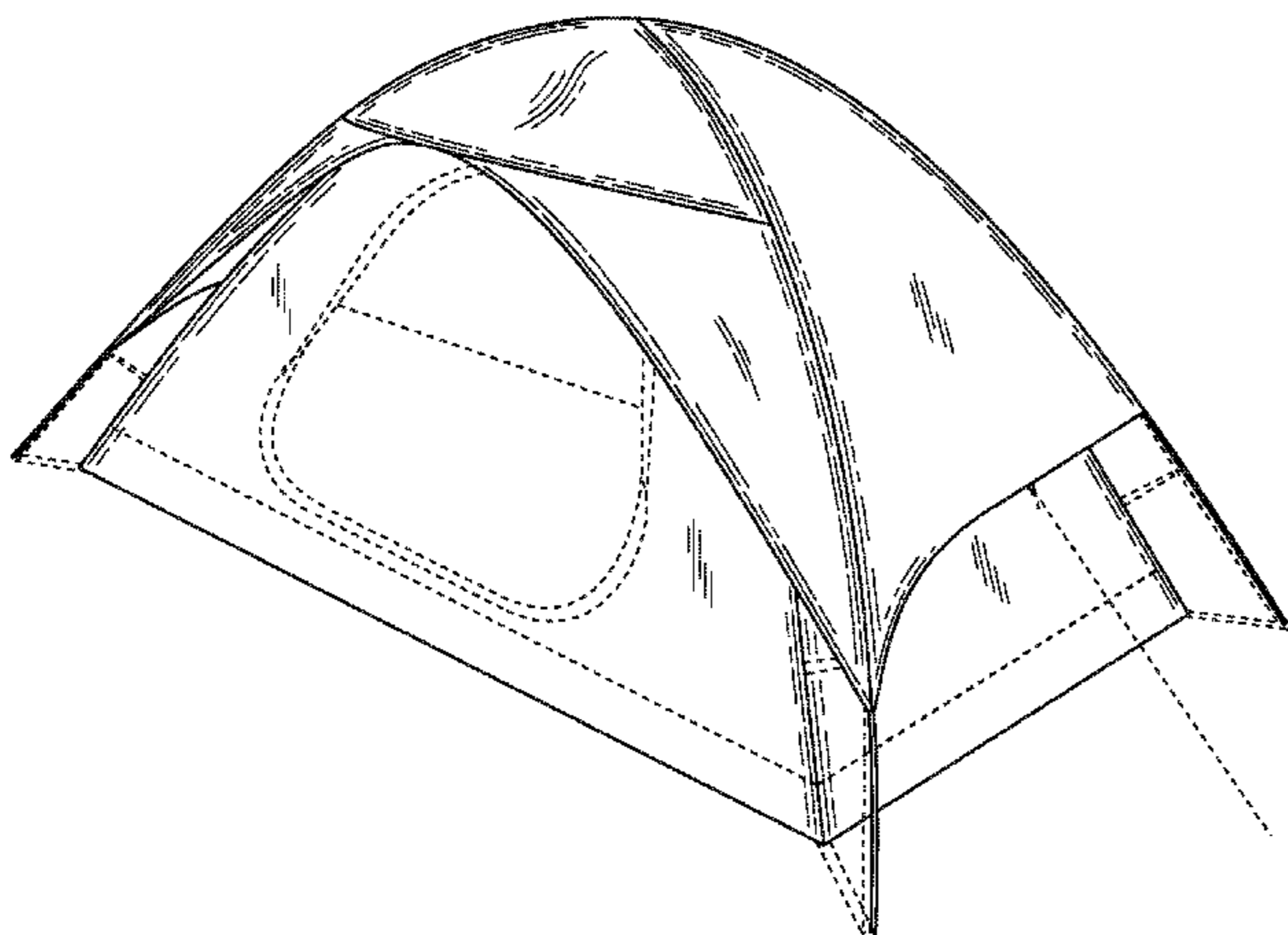
(57) **CLAIM**

The ornamental design for a tent, as shown and described.

**DESCRIPTION**

FIG. 1 is a front perspective view of a tent showing a first embodiment of our new design;  
 FIG. 2 is a front view thereof;  
 FIG. 3 is a rear view thereof;  
 FIG. 4 is a right side view thereof, the left side view being a mirror image of the right side view;  
 FIG. 5 is a top view thereof; and  
 FIG. 6 is a bottom view thereof, where the bottom surface of the tent is unclaimed subject matter.  
 FIG. 7 is a front perspective view of a tent showing a second embodiment of our new design;  
 FIG. 8 is a front view thereof;  
 FIG. 9 is a rear view thereof;  
 FIG. 10 is a right side view thereof, the left side view being a mirror image of the right side view;  
 FIG. 11 is a top view thereof; and,  
 FIG. 12 is a bottom view thereof, where the bottom surface of the tent is unclaimed subject matter.  
 The features shown in broken lines depict environmental or other associated subject matter and form no part of the claimed design.

**1 Claim, 12 Drawing Sheets**



U.S. PATENT DOCUMENTS

7,222,635 B2 5/2007 Cantwell  
2005/0178421 A1 8/2005 Holub  
2007/0044827 A1 3/2007 Yul et al.  
2007/0193614 A1 8/2007 Egstad  
2009/0301536 A1 12/2009 Cantwell

OTHER PUBLICATIONS

REI Arete ASL 2 Tent, <http://www.rei.com/product/794283>, 4 pages. Publicly available at least one year prior to Oct. 29, 2010.  
Embark Three-Season Tent Backpack—Red, <http://www.target.com/Embark-Three-Season-Tent-Backpack-Red/dp/>

B002VL0YRA, 3 pages. Publicly available at least one year prior to Oct. 29, 2010.

Coleman Evanston 6 Person Tent—Green (11 x 10), [http://www.target.com/Coleman-Evanston-Person-Tent-Green/dp/B001TSCECE/ref=br\\_1\\_12?ie=UTF8&frombrowse=1&qid=1273844394...](http://www.target.com/Coleman-Evanston-Person-Tent-Green/dp/B001TSCECE/ref=br_1_12?ie=UTF8&frombrowse=1&qid=1273844394...), 2 pages. Publicly available at least one year prior to Oct. 29, 2010.

Photographs of Tents Publicly Available at Least One Year Prior to Oct. 29, 2010, 3 pages.

REI Screen House Rainfly, <http://www.rei.com/product/693155>, 4 pages. Publicly available at least one year prior to Oct. 29, 2010.

\* cited by examiner

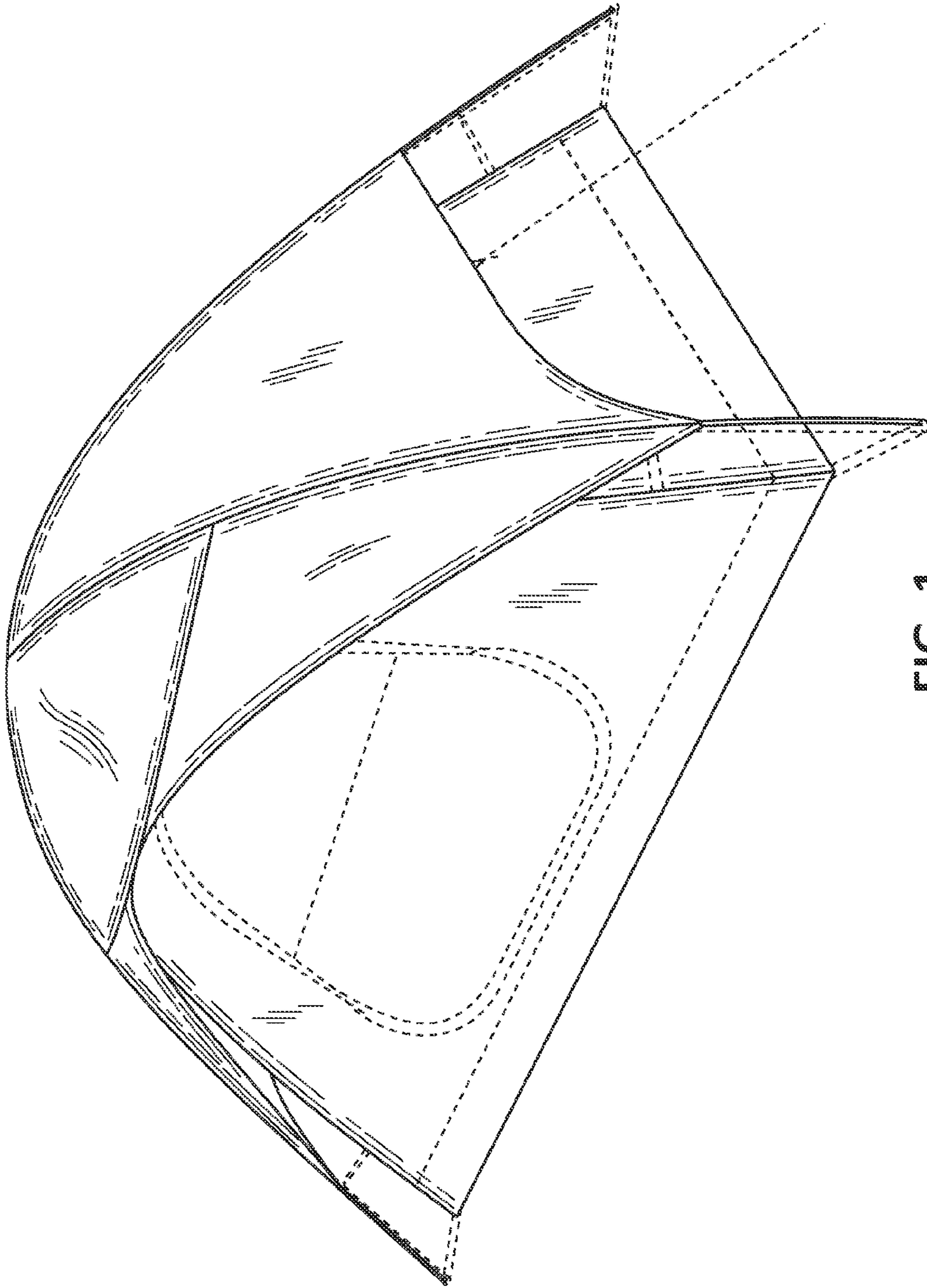


FIG. 1



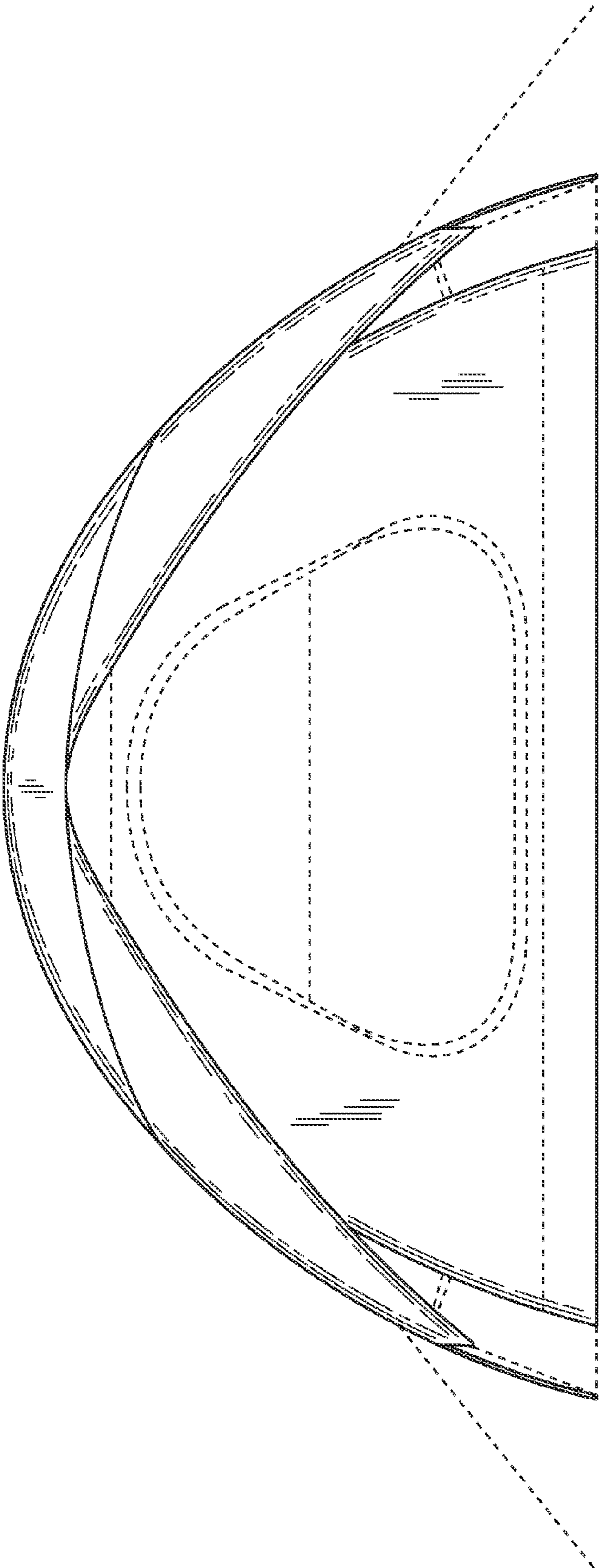


FIG. 2

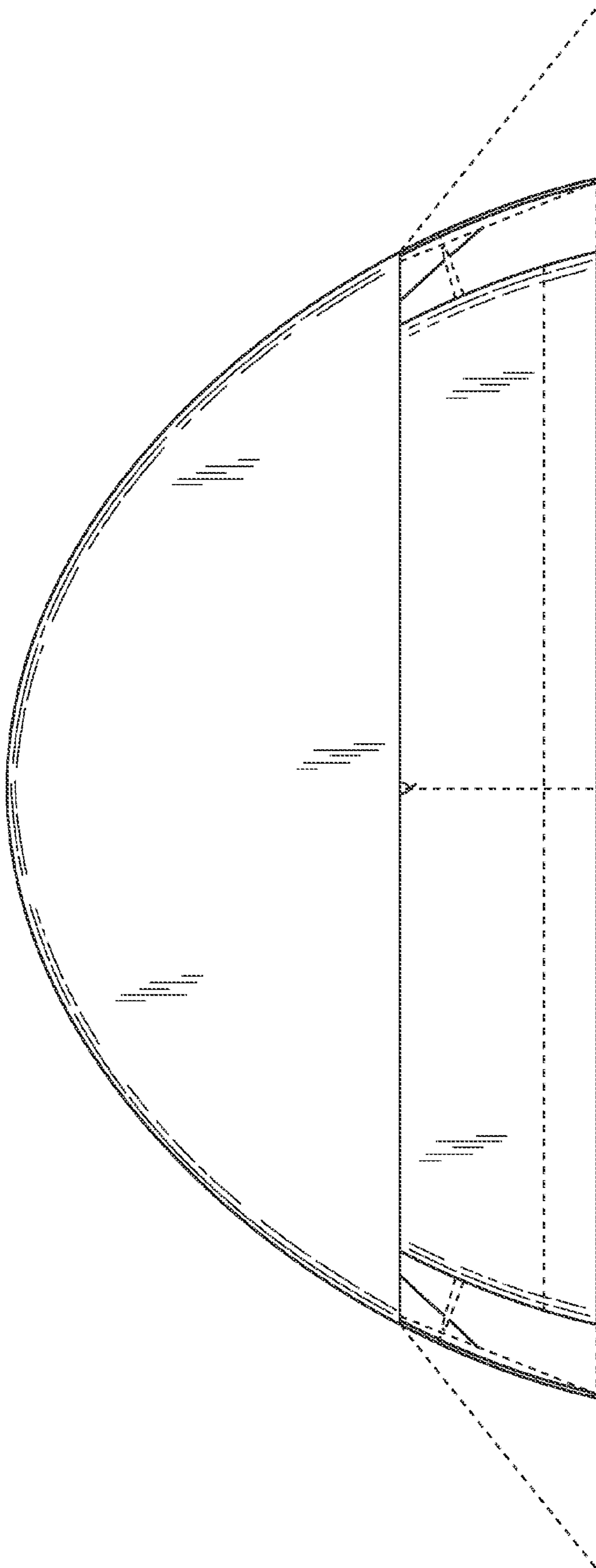


FIG. 3

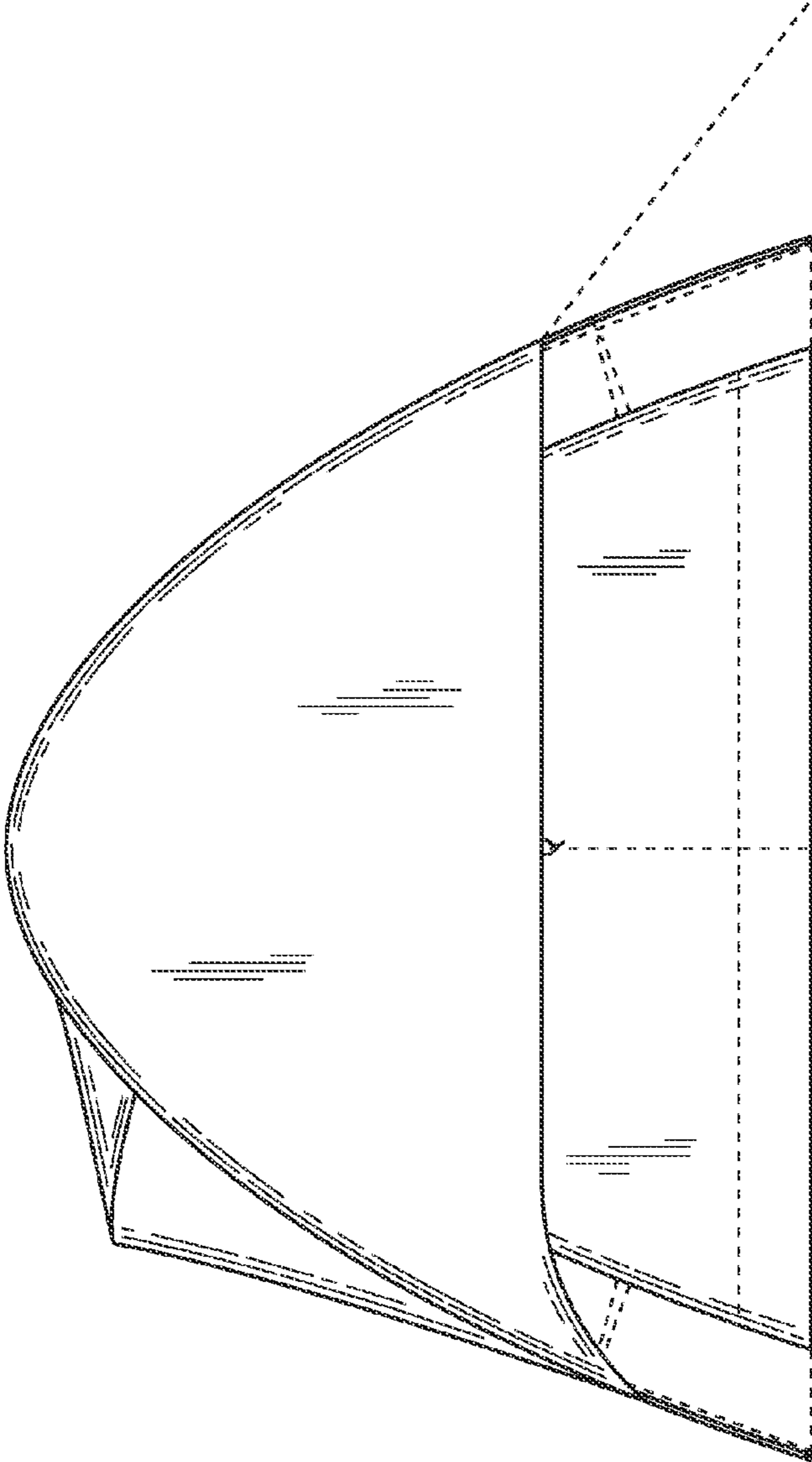


FIG. 4

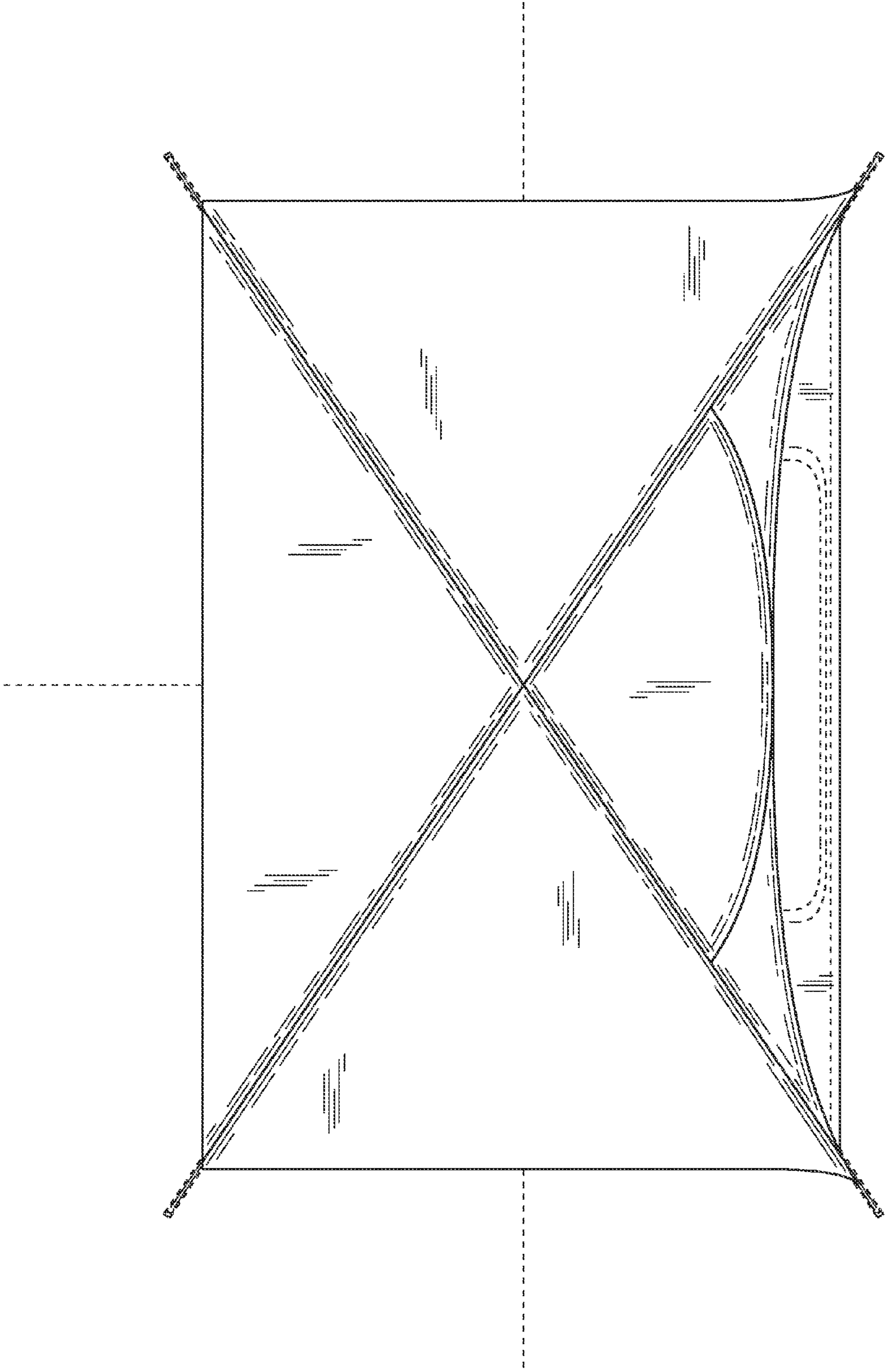


FIG. 5



FIG. 6



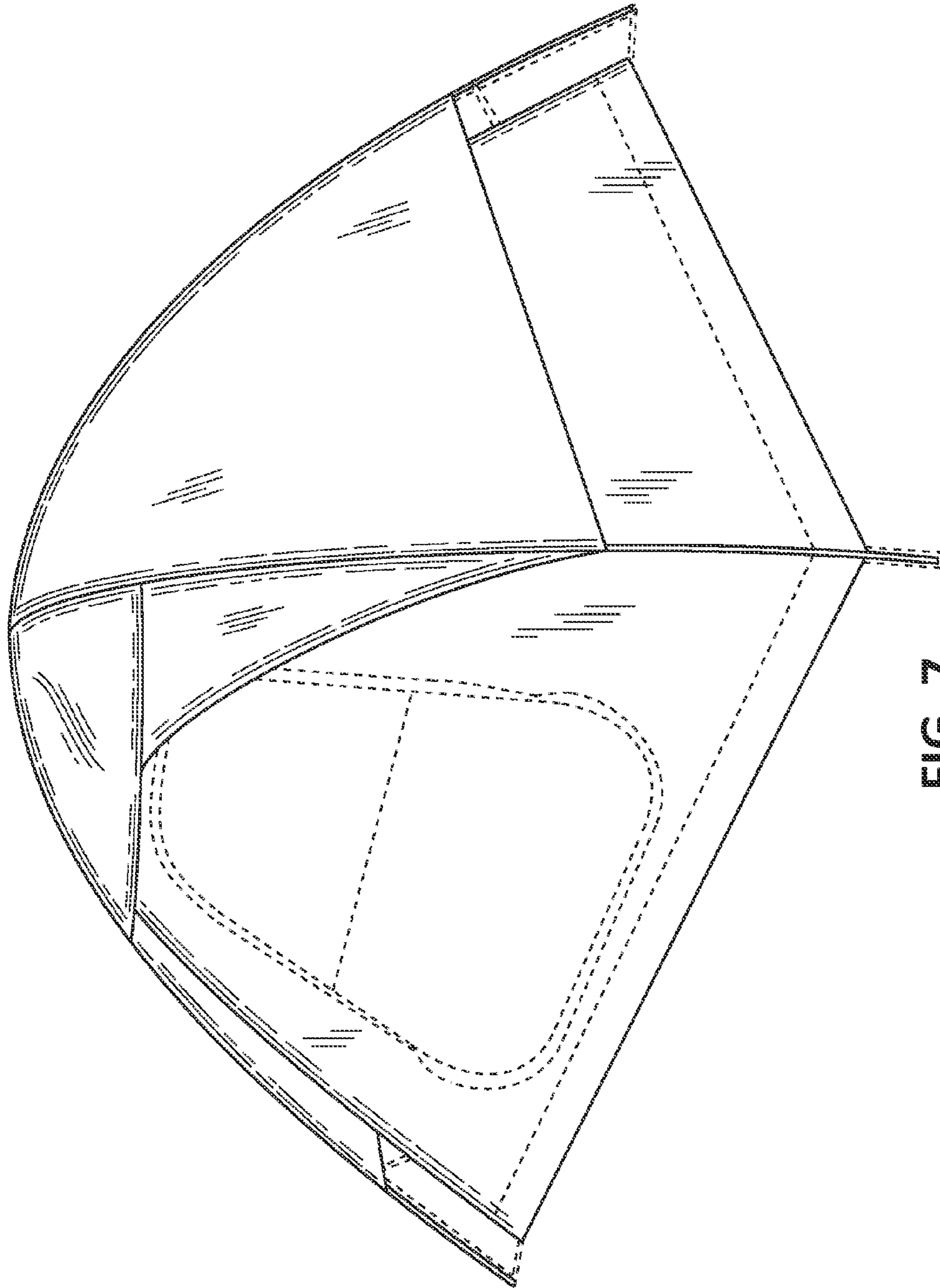


FIG. 7

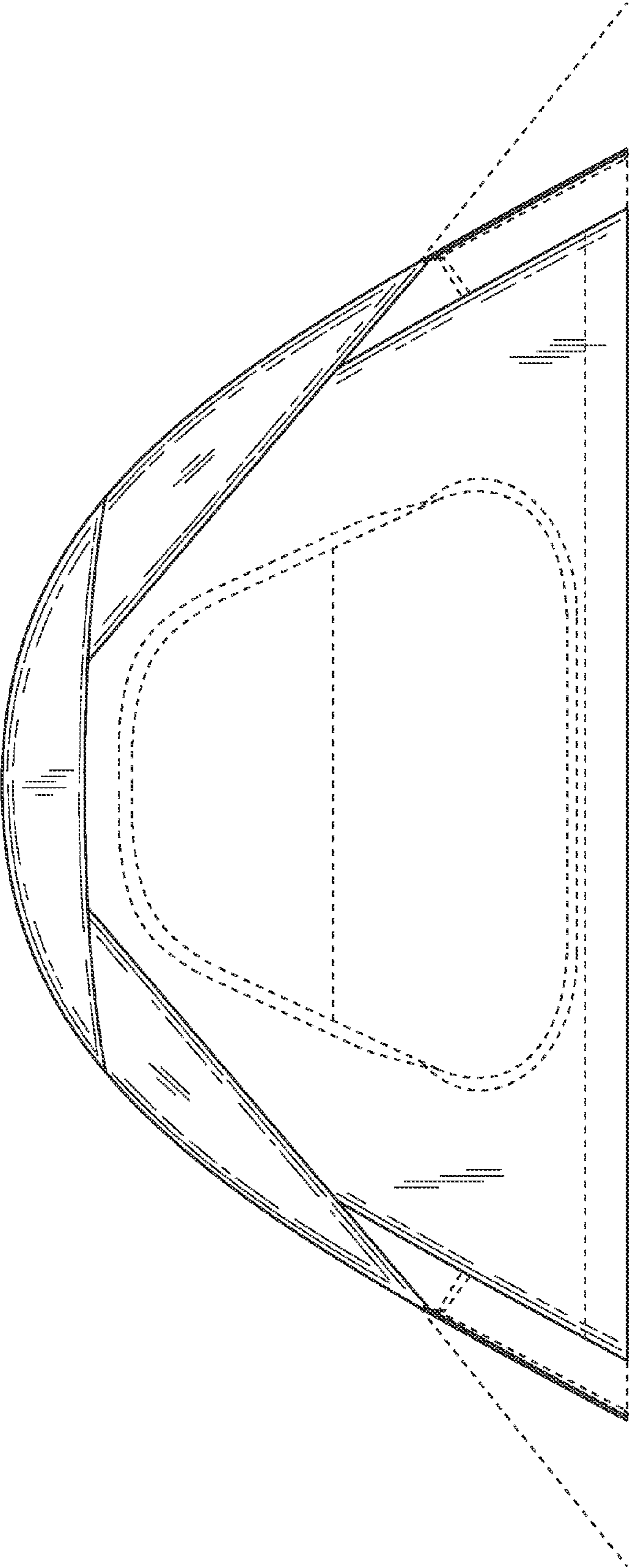


FIG. 8

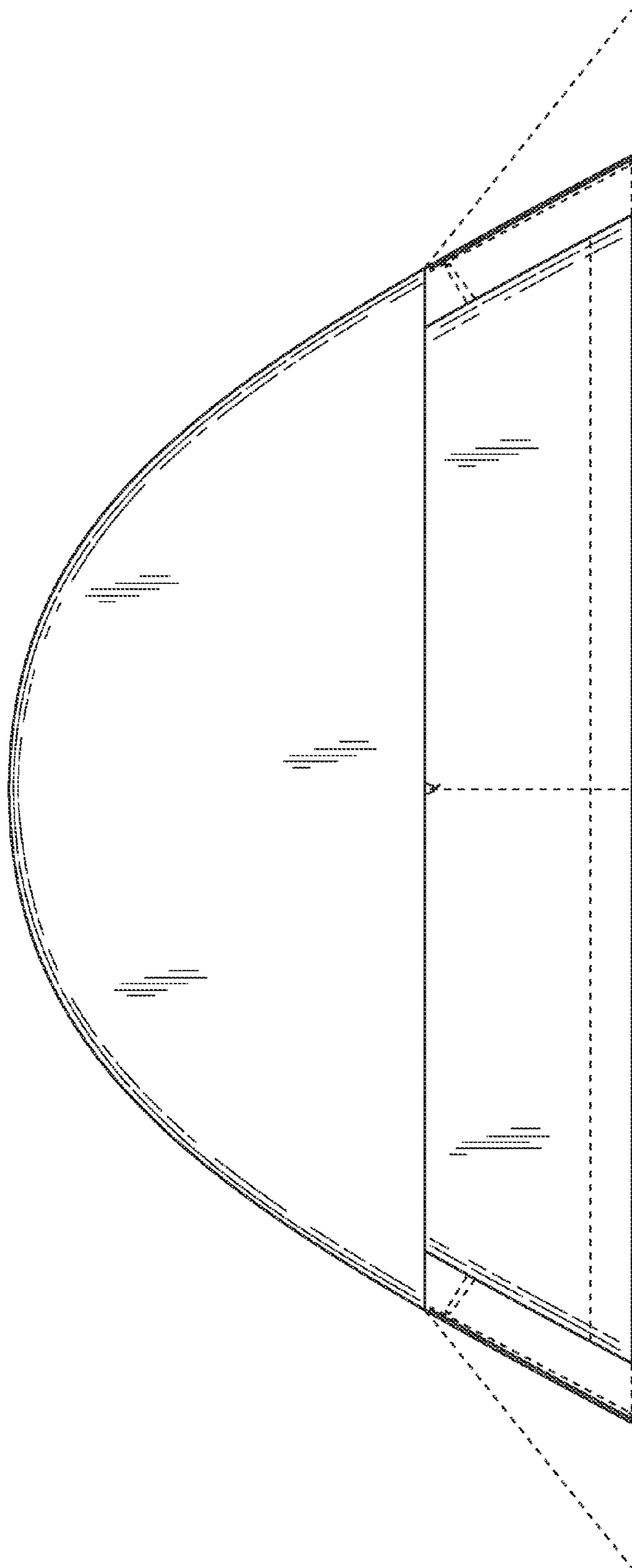


FIG. 9

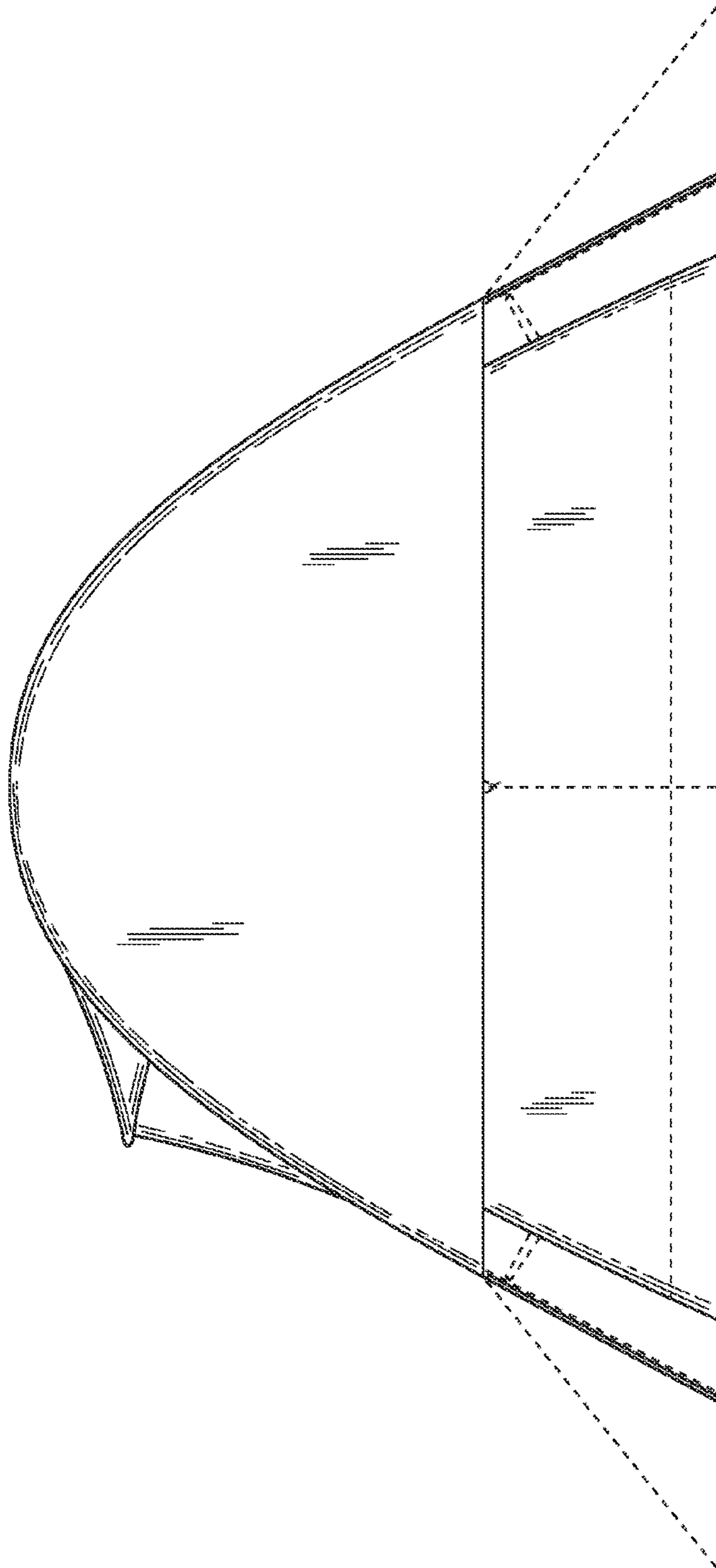


FIG. 10



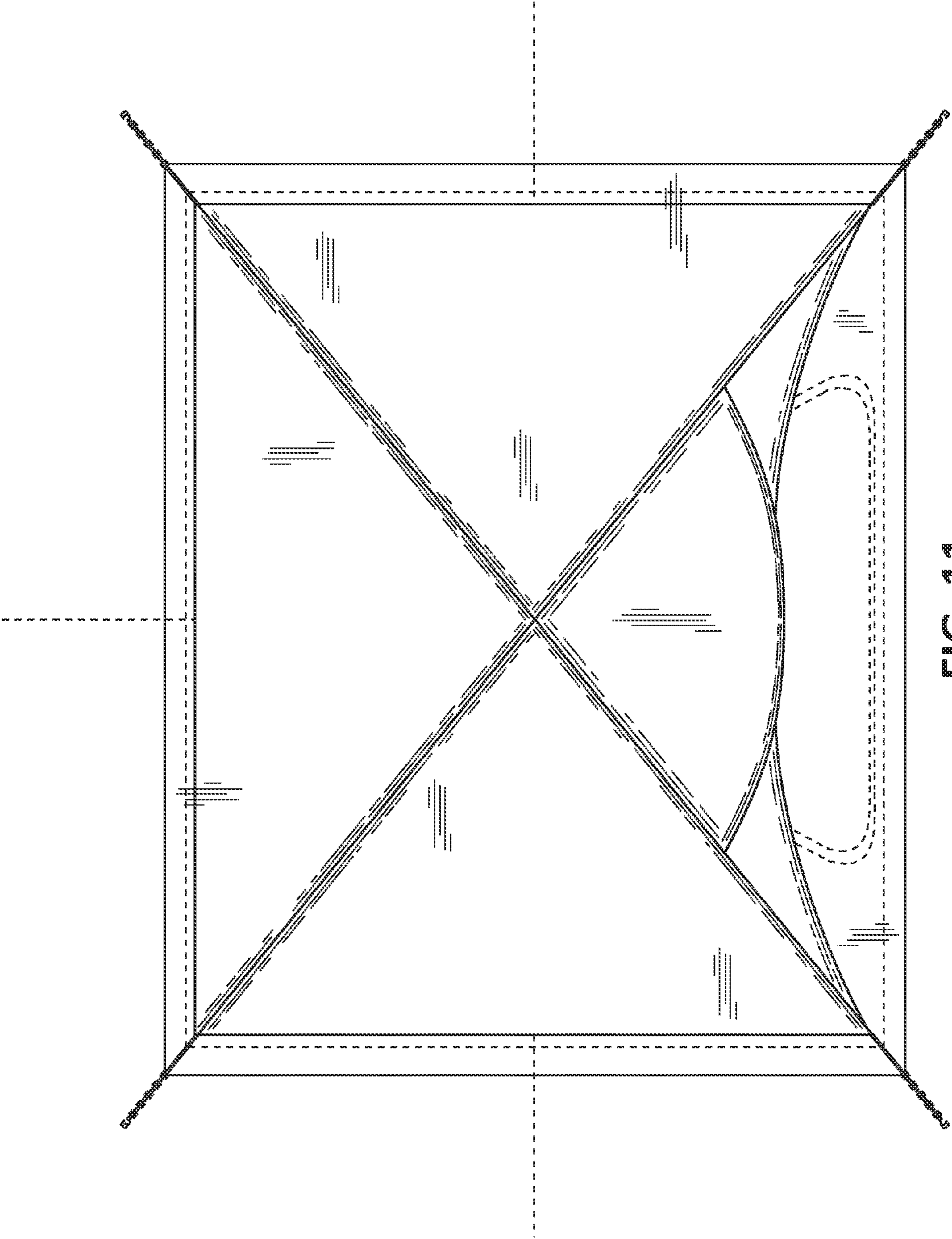


FIG. 11

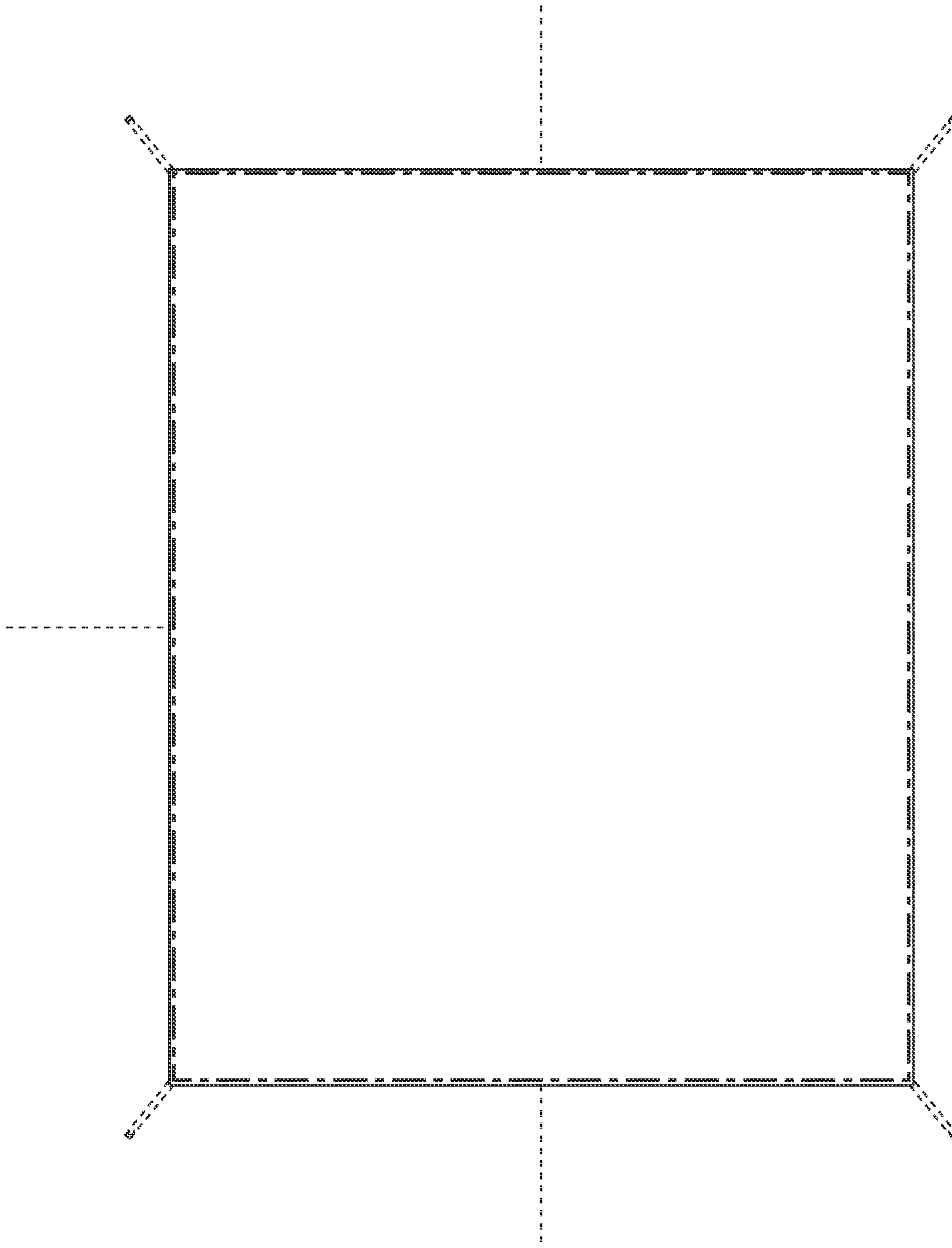


FIG. 12