

US00D652884S

(12) **United States Design Patent**
VanElverdinghe

(10) **Patent No.:** **US D652,884 S**
(45) **Date of Patent:** **** Jan. 24, 2012**

- (54) **INFLATABLE FLOATING ISLAND**
- (76) Inventor: **Jeffry L. VanElverdinghe**, Beaverton, OR (US)
- (**) Term: **14 Years**
- (21) Appl. No.: **29/284,140**
- (22) Filed: **Aug. 31, 2007**
- (51) **LOC (9) Cl.** **21-02**
- (52) **U.S. Cl.** **D21/803; D21/801**
- (58) **Field of Classification Search** D21/769–770, D21/801, 803, 809; D6/392, 596, 601, 604; D12/5, 6, 316; 472/128–129; 114/253, 345, 114/346; 441/35, 40–42, 66, 129–132
See application file for complete search history.

- 6,773,355 B1 8/2004 Lekhtman
- D504,487 S 4/2005 Peterson
- D504,488 S 4/2005 Peterson
- D515,167 S 2/2006 Capwell
- D530,772 S 10/2006 Peterson
- D538,875 S 3/2007 Rockstad et al.
- D538,876 S 3/2007 Peterson
- D538,877 S 3/2007 Peterson
- D549,296 S 8/2007 Peterson
- 7,314,399 B2* 1/2008 Turner 441/129
- 2002/0185049 A1 12/2002 Broderick et al.

(Continued)

Primary Examiner — Zenia Bennett
(74) *Attorney, Agent, or Firm* — Joseph P. Curtain, L.L.C.

(57) **CLAIM**
The ornamental design for an inflatable floating island, shown and described.

DESCRIPTION

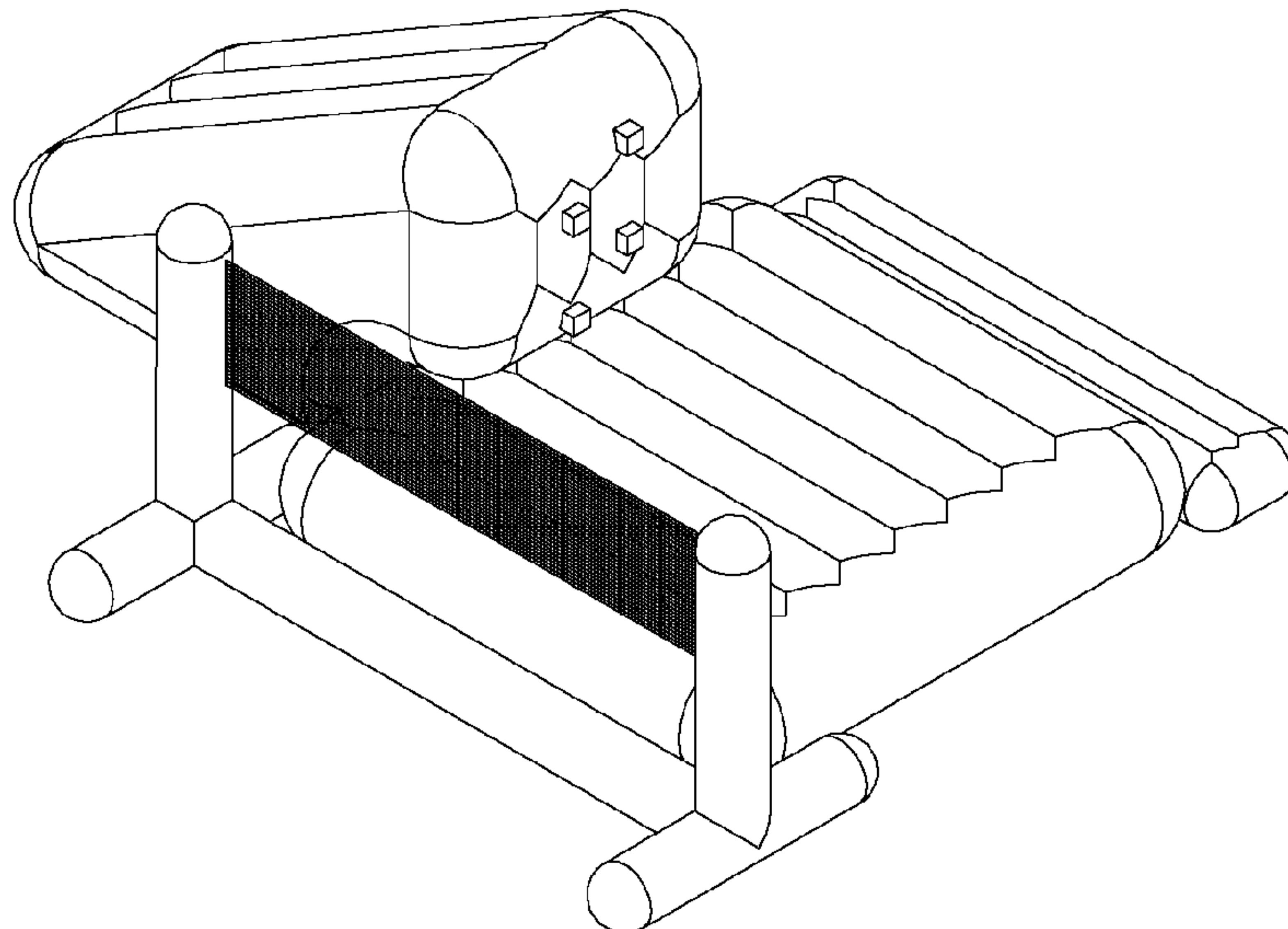
FIG. 1 is an isometric view of an inflatable floating island according to the subject matter disclosed herein;
 FIG. 2 is a front-side view of an inflatable floating island according to the subject matter disclosed herein;
 FIG. 3 is a left-side view of an inflatable floating island according to the subject matter disclosed herein;
 FIG. 4 is a back-side view of an inflatable floating island according to the subject matter disclosed herein;
 FIG. 5 is a right-side view of an inflatable floating island according to the subject matter disclosed herein;
 FIG. 6 is a top view of an inflatable floating island according to the subject matter disclosed herein; and,
 FIG. 7 is a bottom view of an inflatable floating island according to the subject matter disclosed herein.
 The ornamental design, which is claimed, is shown in solid lines in the drawings. The pattern depicted in FIG. 7 on the bottom of the inflatable floating island is depicted with broken lines, which are for environmental purposes only and form no part of the claimed design.

(56) **References Cited**

U.S. PATENT DOCUMENTS

3,268,925	A *	8/1966	Serra	441/40
D274,141	S	6/1984	Carrillo		
4,723,329	A *	2/1988	Vaccaro	5/710
D299,941	S *	2/1989	Chang	D12/306
D305,449	S	1/1990	Rundquist, Jr.		
D308,403	S *	6/1990	LaForce, Jr.	D21/809
D315,186	S	3/1991	Peterson		
5,070,807	A *	12/1991	Lewis	114/361
D349,145	S *	7/1994	Haughey	D21/809
D359,869	S *	7/1995	Oren	D6/596
D406,870	S	3/1999	Bauman		
D409,971	S	5/1999	Elsholz		
D430,845	S	9/2000	Elsholz		
D435,619	S	12/2000	Peterson		
D435,621	S	12/2000	Peterson		
D446,568	S	8/2001	Peterson		
D451,567	S	12/2001	Gordon		
D451,568	S	12/2001	Gordon		
6,419,610	B1	7/2002	Jonas et al.		
6,443,849	B1	9/2002	Byrd		
6,595,861	B1 *	7/2003	Morrow et al.	472/134
D484,940	S	1/2004	Peterson		
6,685,520	B1 *	2/2004	Wiggins	441/40

1 Claim, 7 Drawing Sheets



US D652,884 S

Page 2

U.S. PATENT DOCUMENTS			
2003/0029369	A1	2/2003	Broderick et al.
2003/0196580	A1	10/2003	Broderick et al.
2003/0220032	A1*	11/2003	Hsu et al. 441/131
2004/0159275	A1	8/2004	Broderick et al.
2005/0176319	A1*	8/2005	Zheng 441/129
2007/0141925	A1*	6/2007	Turner 441/129
			* cited by examiner

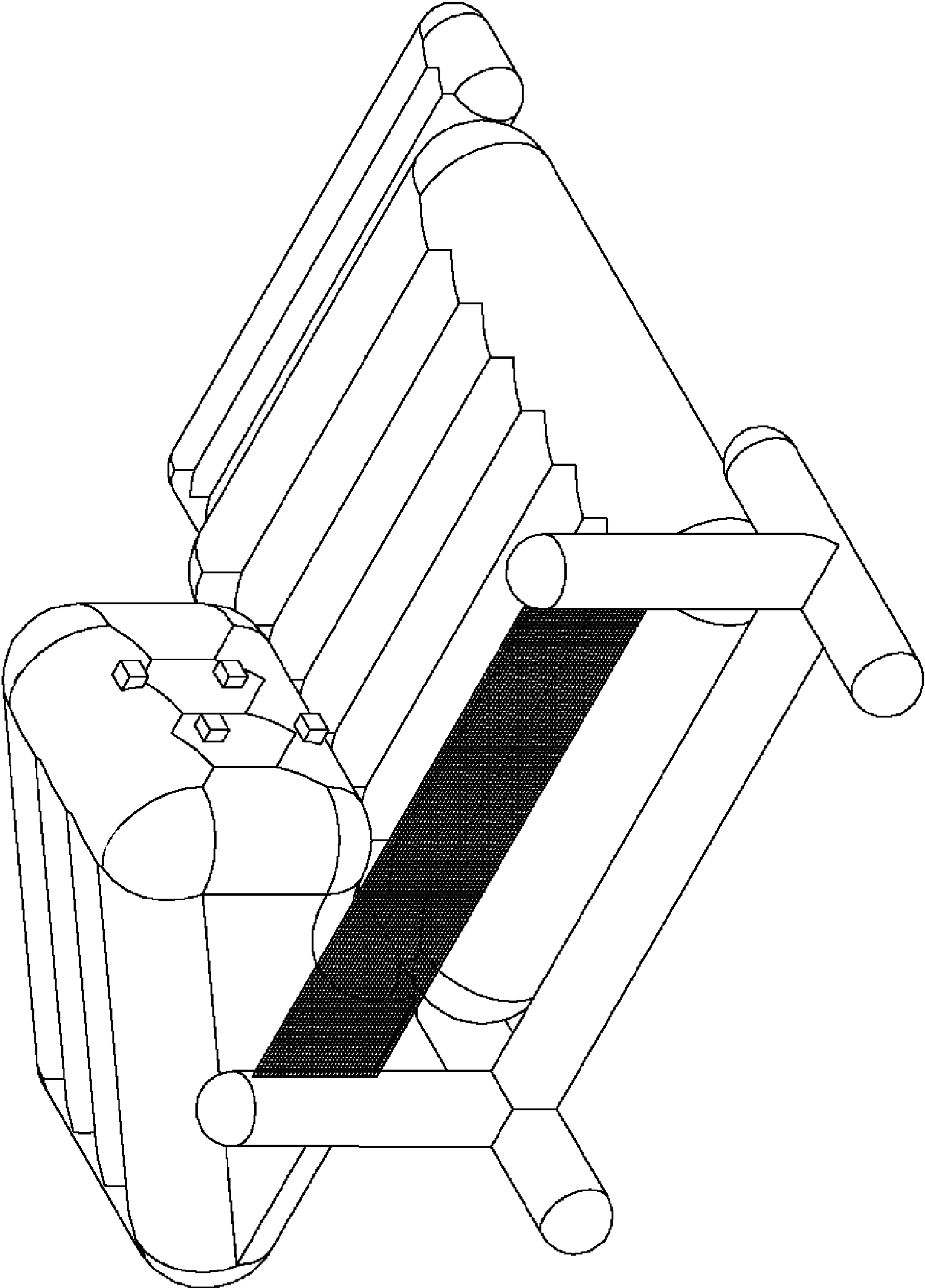


FIG. 1

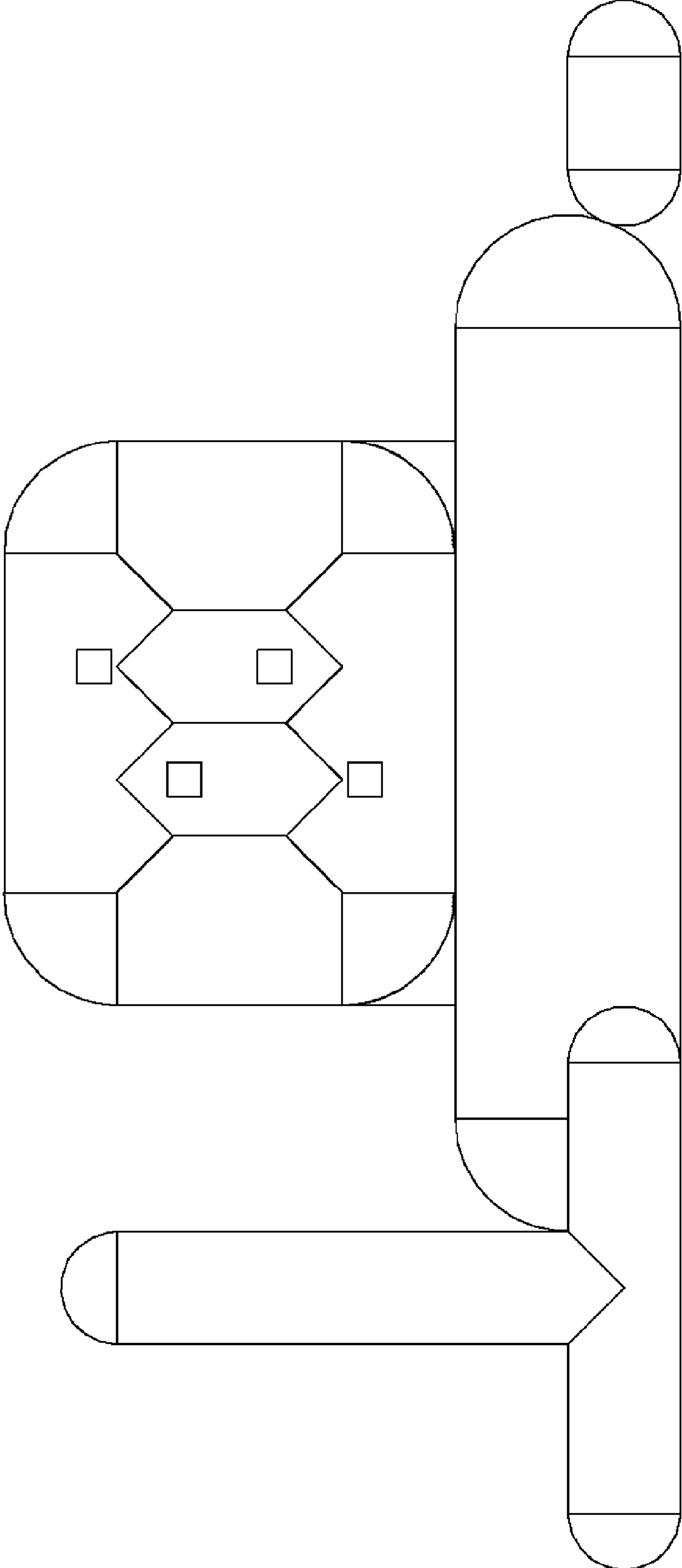


FIG. 2

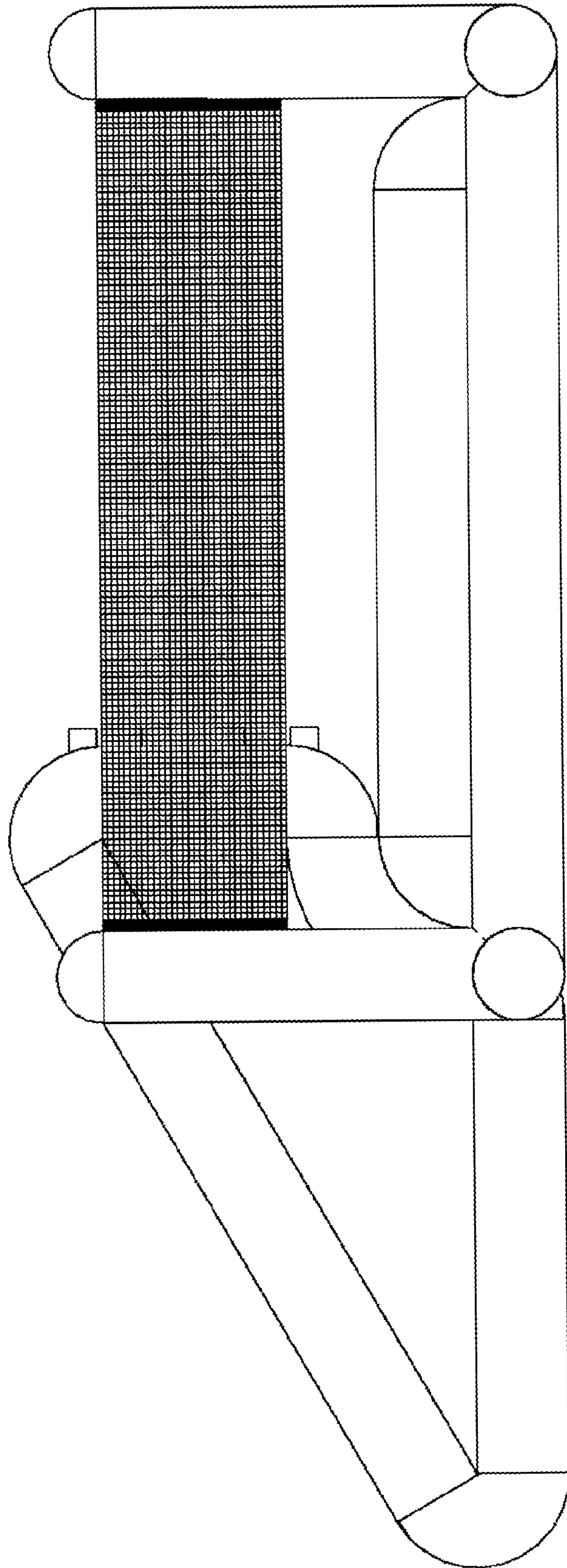


FIG. 3

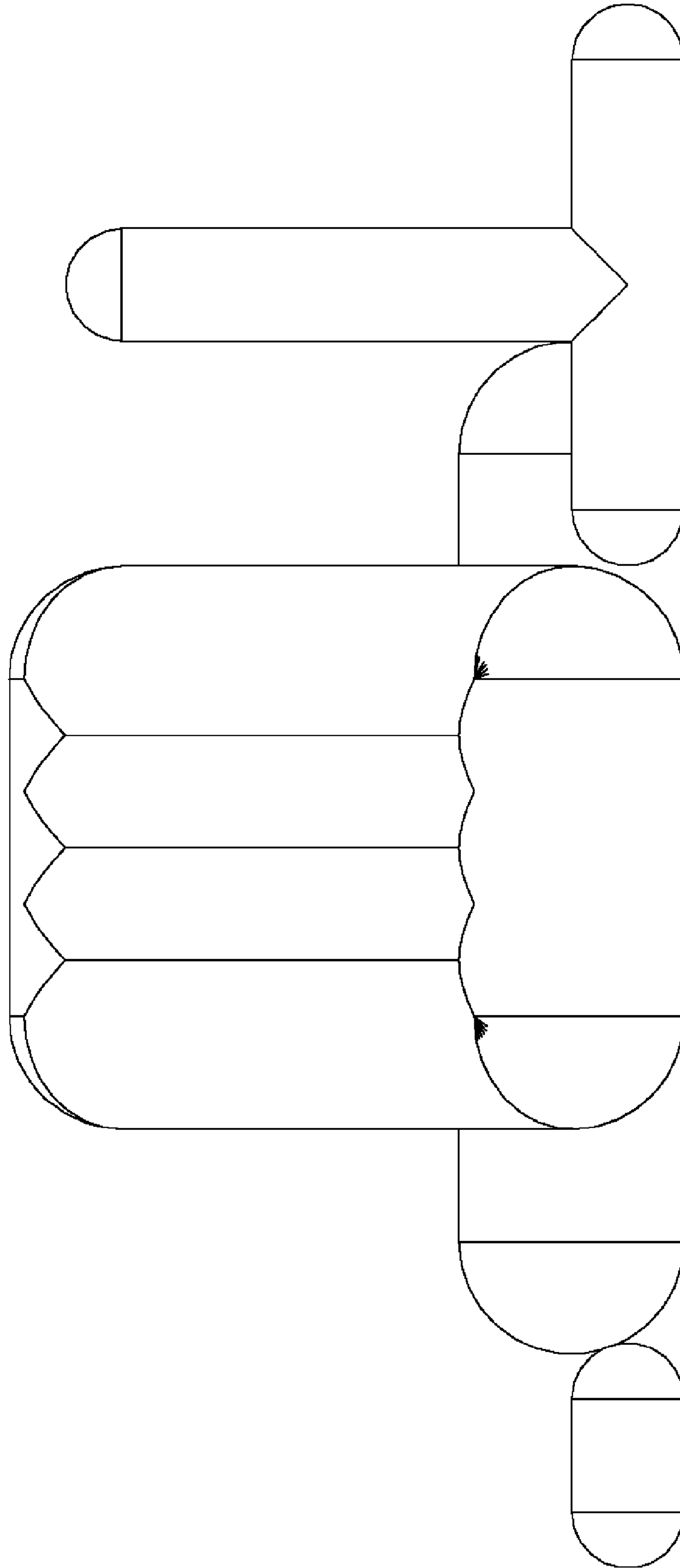


FIG. 4

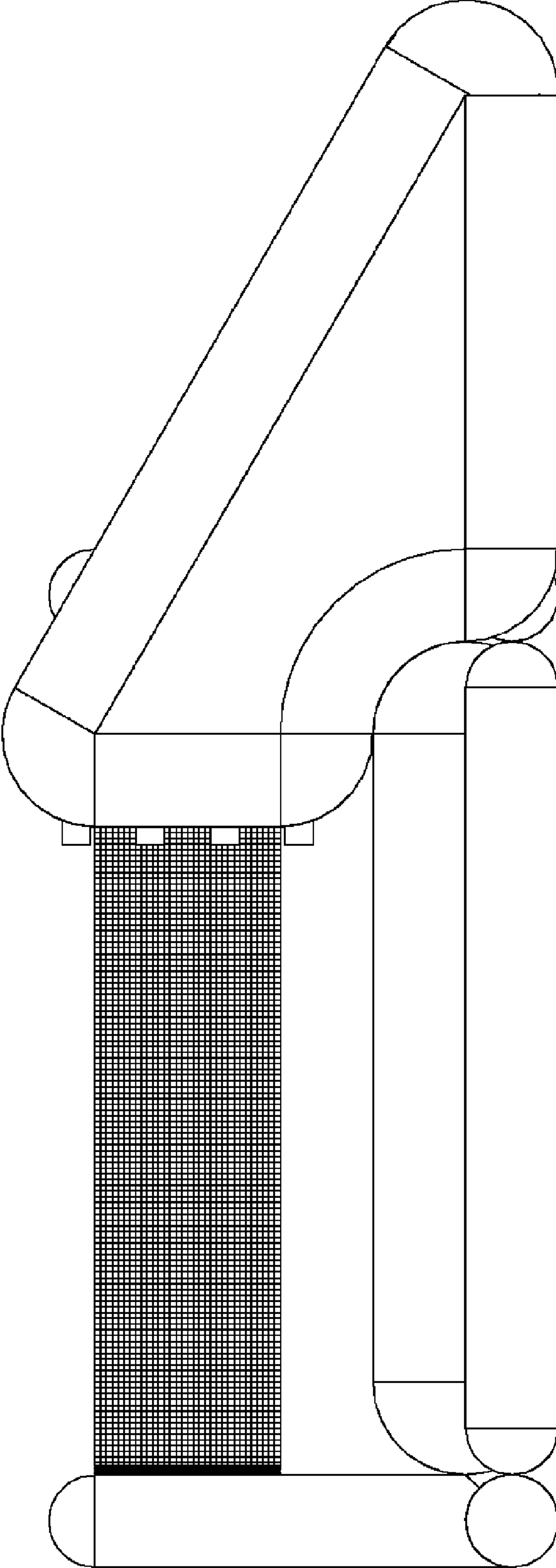


FIG. 5

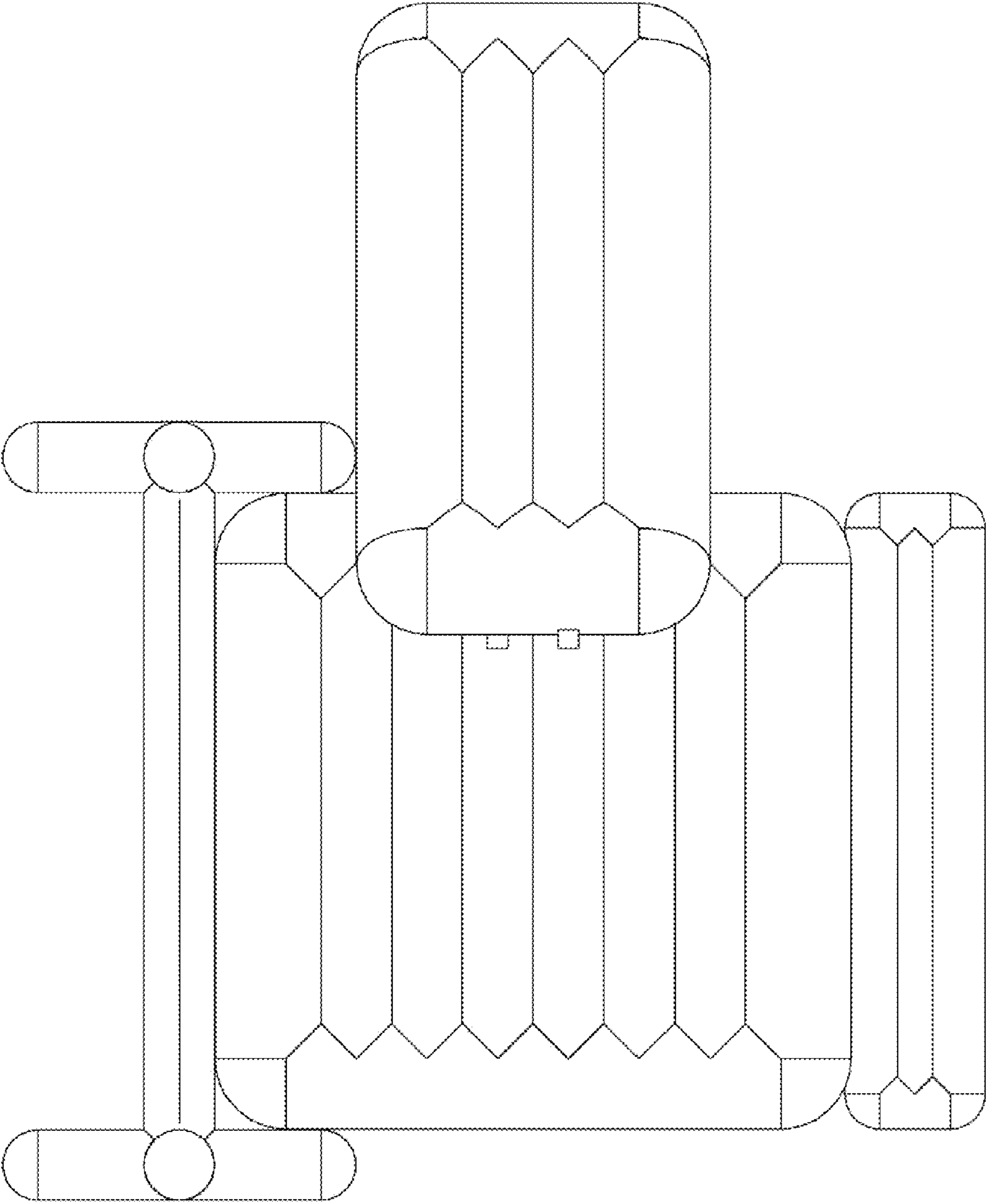


FIG. 6

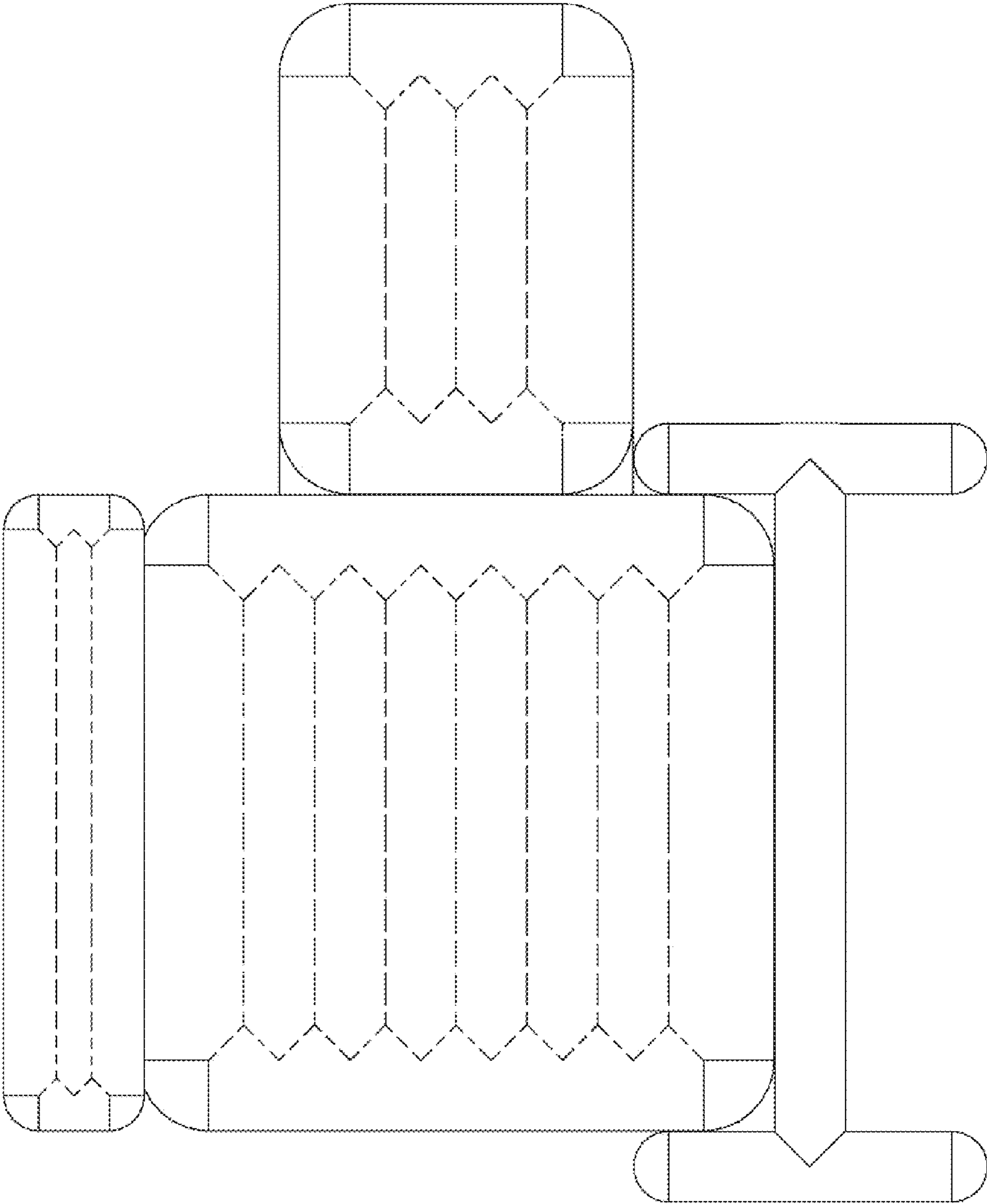


FIG. 7