



US00D652882S

(12) **United States Design Patent**
Nagel et al.

(10) **Patent No.:** **US D652,882 S**
(45) **Date of Patent:** **** Jan. 24, 2012**

(54) **BASKETBALL SHOOTING TRAINING AID**

(76) Inventors: **Christopher D. Nagel**, Santa Ana, CA (US); **William Jason Wright**, Wilmington, CA (US)

(**) Term: **14 Years**

(21) Appl. No.: **29/372,604**

(22) Filed: **Dec. 14, 2010**

(51) **LOC (9) Cl.** **21-02**

(52) **U.S. Cl.** **D21/781**

(58) **Field of Classification Search** D21/662,
D21/679, 684, 692, 698, 780, 781, 791, 799.1;
D24/190; D29/100, 113–116.3, 120.1, 120.2;
482/44–50, 92, 110, 124, 126; 434/248,
434/258; 602/5, 12, 16, 19, 20, 21, 22, 26,
602/40; 2/160, 161.1, 161.2, 163; 128/878–881;
70/15, 16, 18; 473/415–504

See application file for complete search history.

(56) **References Cited**

U.S. PATENT DOCUMENTS

1,374,177	A *	4/1921	Barry	602/16
1,655,092	A *	1/1928	Davis	473/212
4,377,284	A *	3/1983	Okerlin	473/450
4,805,905	A *	2/1989	Haub	473/450
4,875,677	A *	10/1989	Tetreault	473/458
4,899,735	A *	2/1990	Townsend et al.	602/20
5,348,292	A *	9/1994	Norman, Sr.	473/438
D351,438	S *	10/1994	Weaver	D21/781
5,490,826	A *	2/1996	Rose	482/74
D396,077	S *	7/1998	Heine	D21/662
5,816,952	A *	10/1998	Blevins	473/450
5,865,695	A *	2/1999	Mahala et al.	473/450
6,361,480	B1 *	3/2002	Coram	482/83
7,341,544	B2 *	3/2008	St. George et al.	482/82
7,381,140	B1 *	6/2008	Stanisic	473/464
7,771,293	B1 *	8/2010	Vann	473/422

2004/0043878 A1* 3/2004 Erwin 482/124
2008/0214330 A1* 9/2008 Goebel 473/438
2010/0311022 A1* 12/2010 Asper et al. 434/258

* cited by examiner

Primary Examiner — Catherine Tuttle

(74) *Attorney, Agent, or Firm* — William L. Chapin

(57) **CLAIM**

The ornamental design for a basketball shooting training aid, as shown and described

DESCRIPTION

FIG. 1 is a perspective view showing our new design for a basketball shooting training aid;

FIG. 2 is a perspective view similar to FIG. 1 but showing the two wristlet components of the design in a partially engaged configuration;

FIG. 3 is an elevation view showing the two components of the design in a fully engaged configuration, the opposing elevation view being a mirror image thereof;

FIG. 4 is a plan view showing the two components of the design in another disengaged configuration, the opposing plan view being a mirror image thereof;

FIG. 5 is an inner end view of one wristlet component seen in the direction of arrows 5 in FIG. 4;

FIG. 6 is an inner end view of the other wristlet component seen in the direction of arrows 6 in FIG. 4;

FIG. 7 is an outer end view thereof;

FIG. 8 is a perspective view showing the design as it appears when worn and with the two components in a disengaged configuration; and,

FIG. 9 is a perspective view similar to FIG. 8 but showing the two components in an engaged configuration.

The broken lines showing the human form in FIGS. 8 and 9 are included for the purpose of illustrating the intended use of the basketball shooting training aid; and form no part of the claimed design.

1 Claim, 4 Drawing Sheets

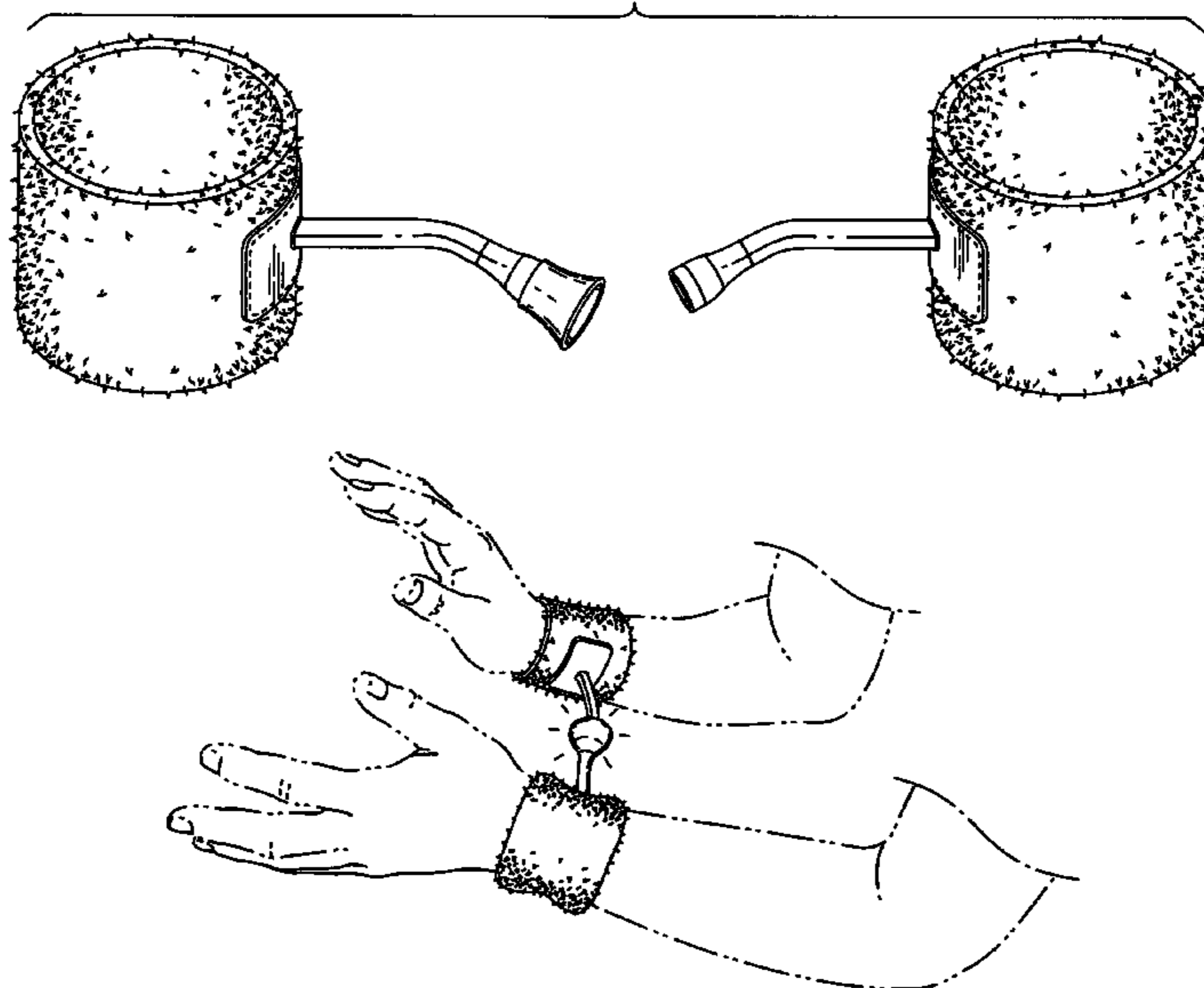


Fig. 1

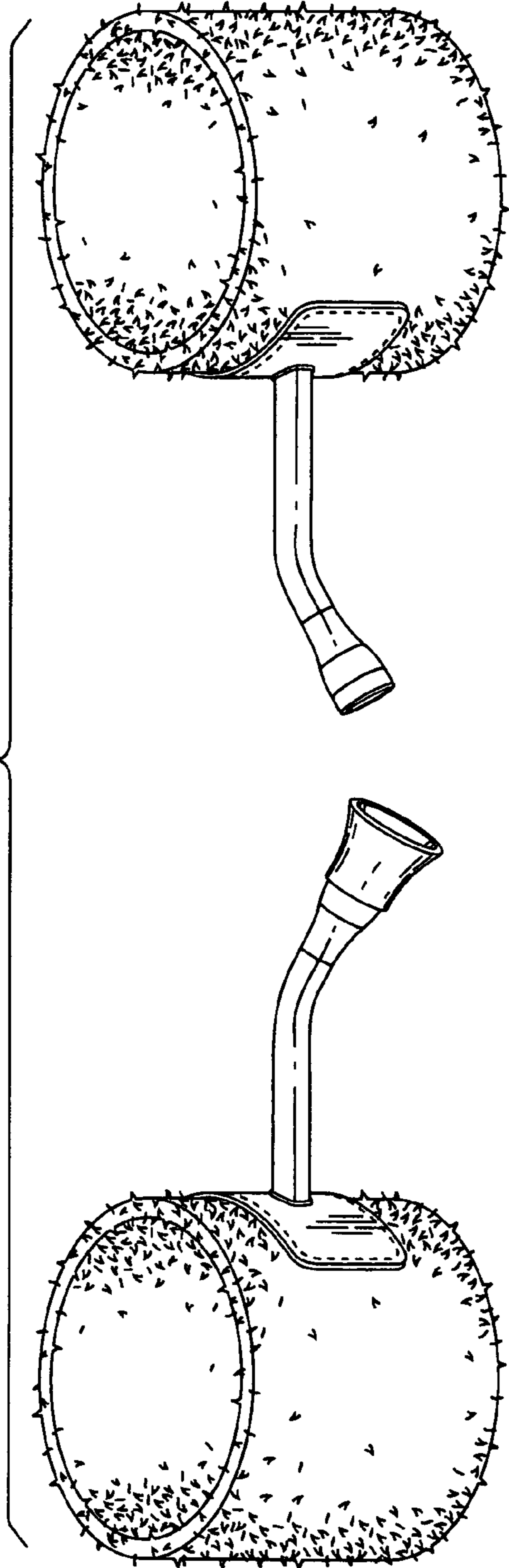


Fig. 2

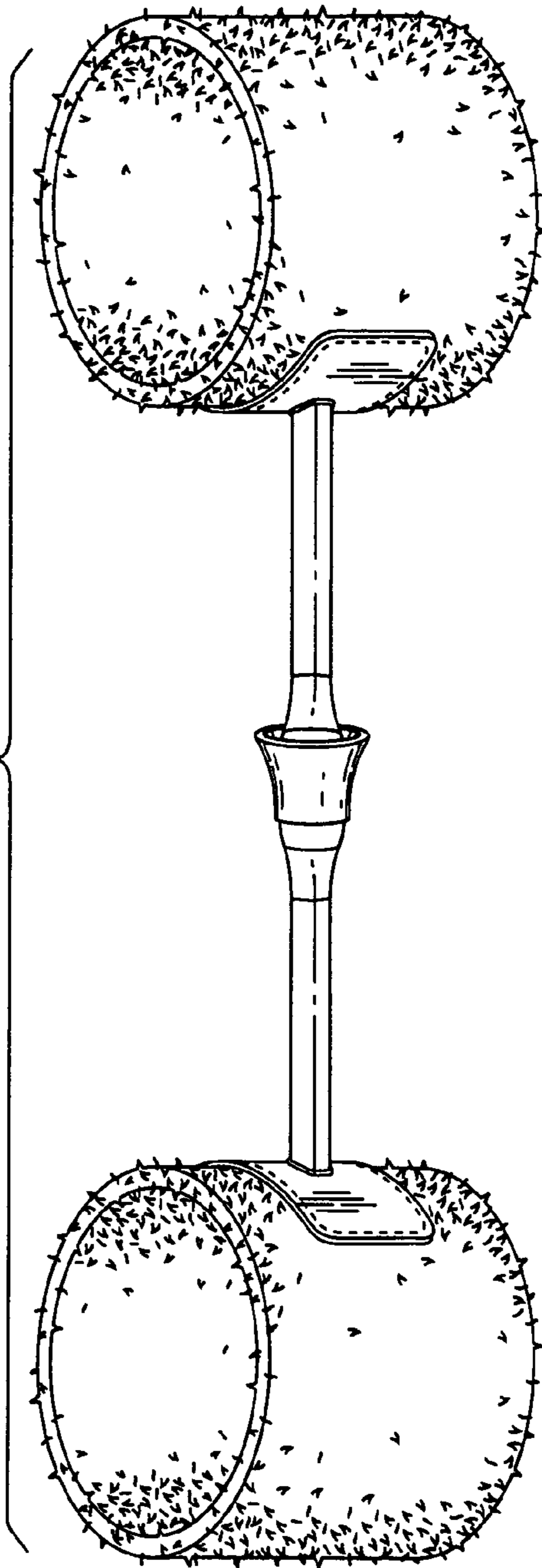


Fig. 4

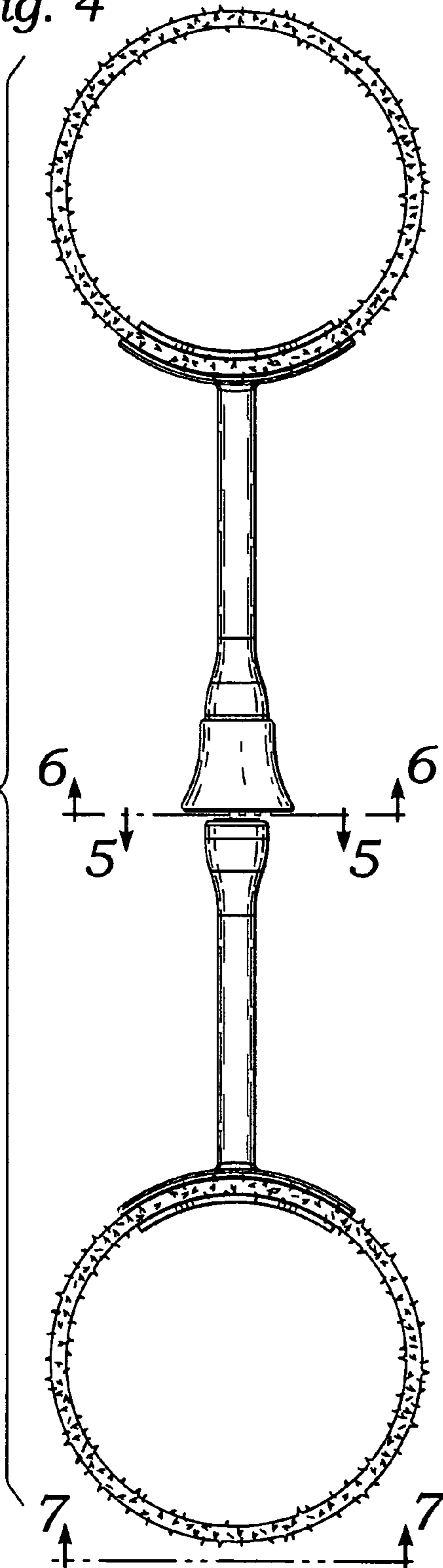


Fig. 3

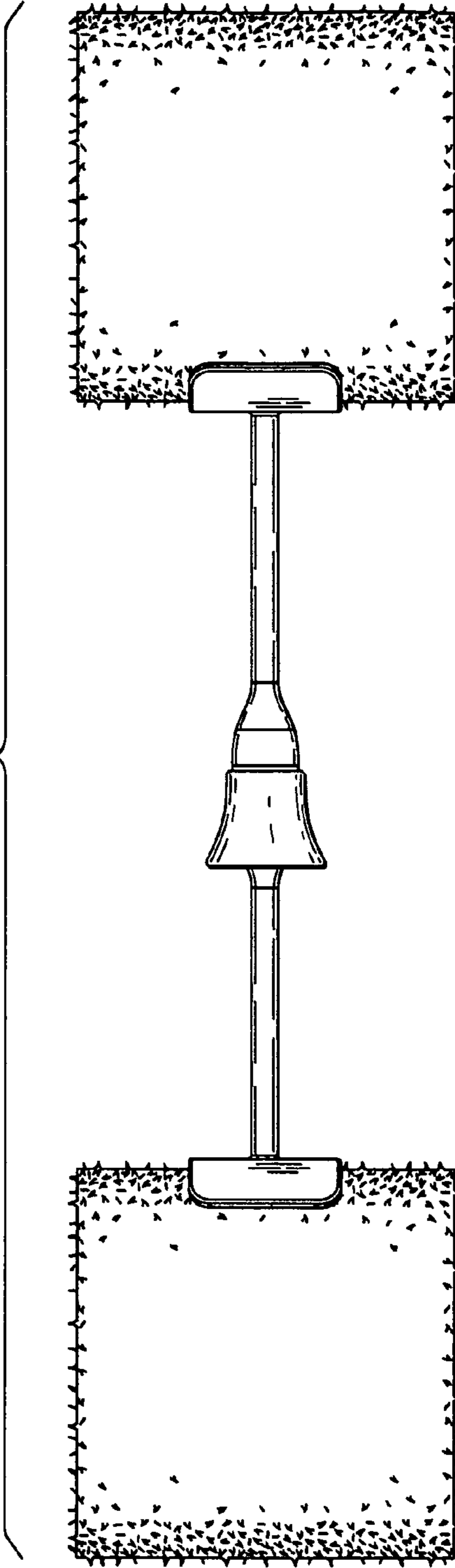


Fig. 5

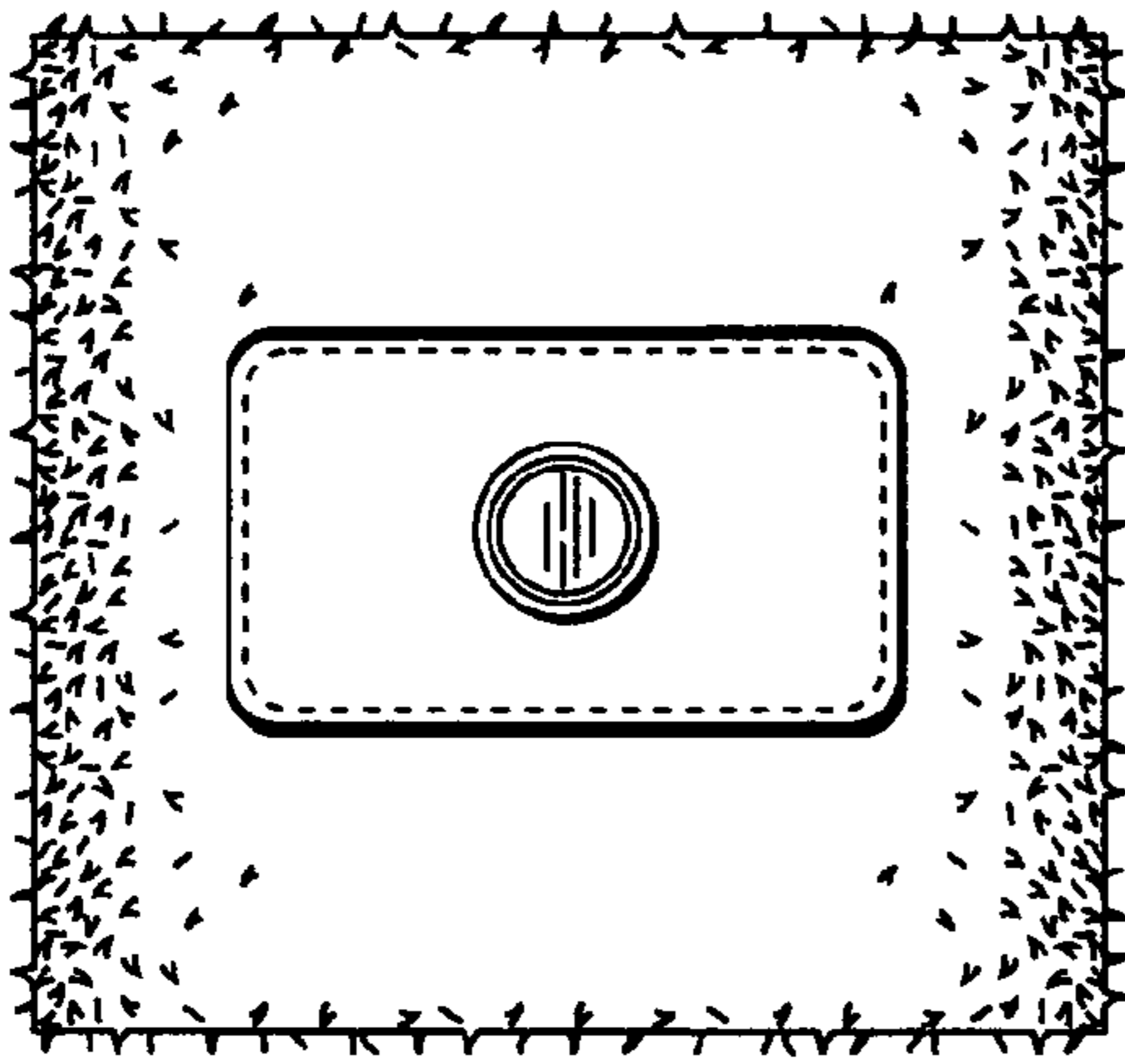


Fig. 6

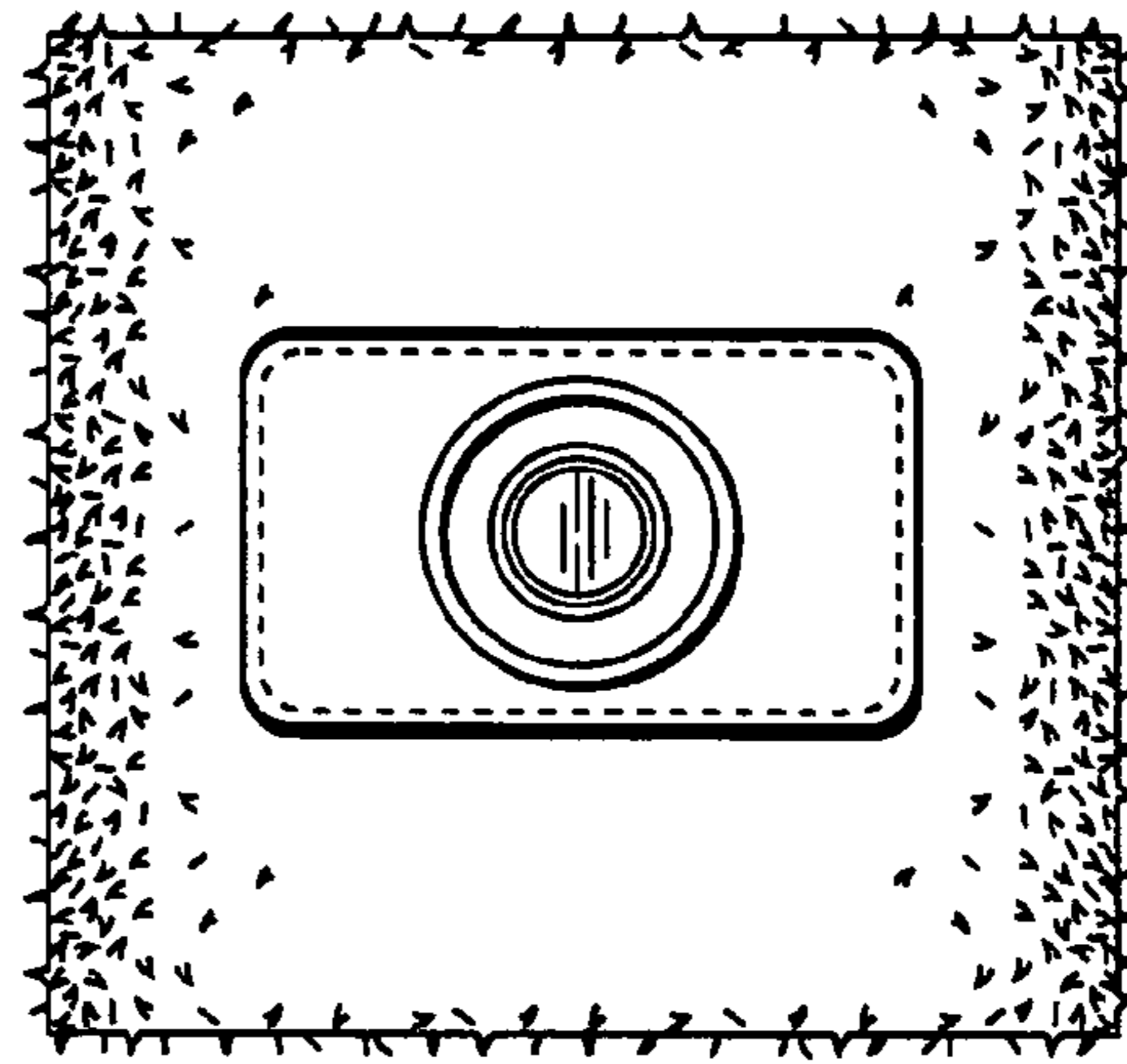


Fig. 7

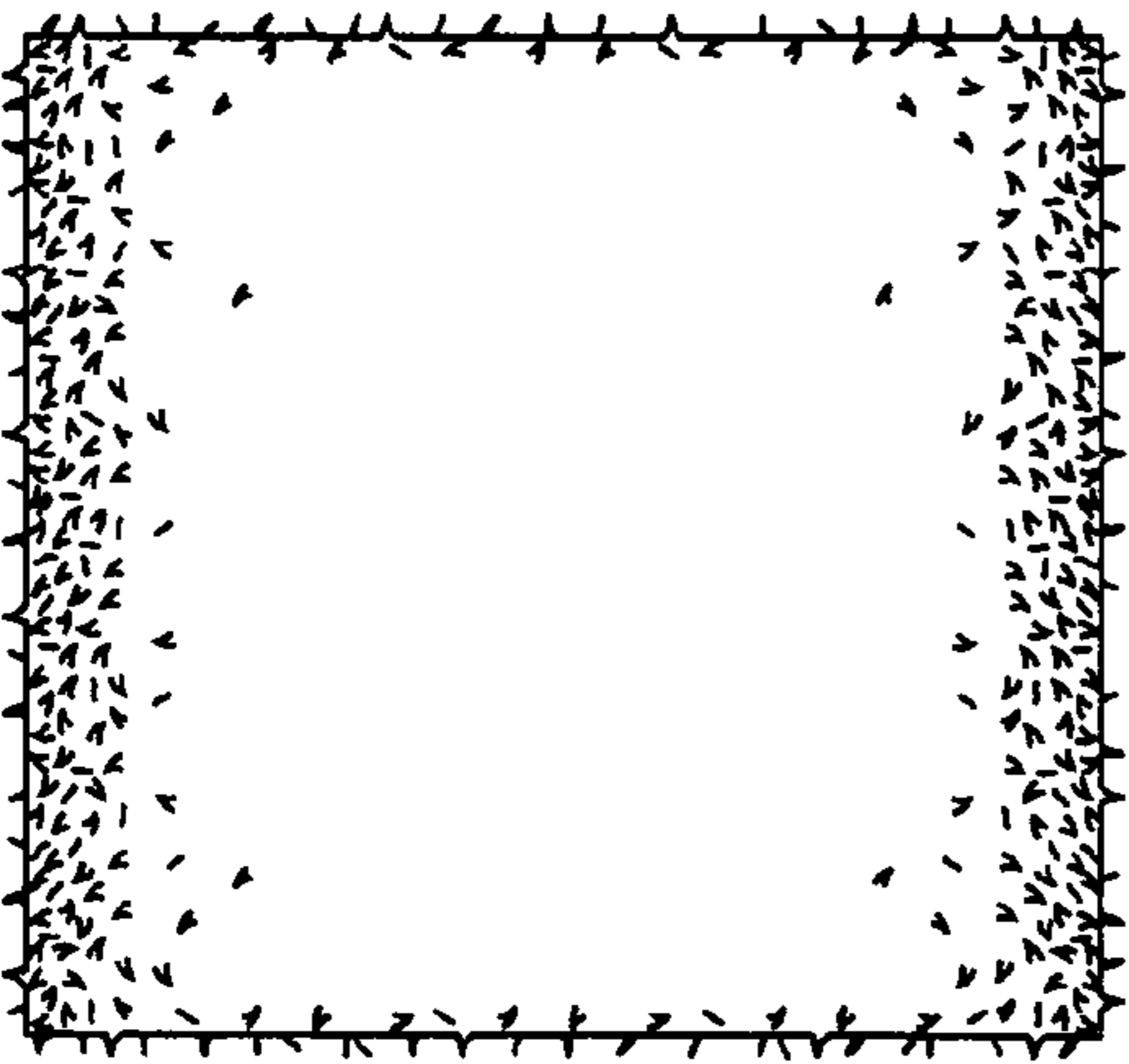


Fig. 8

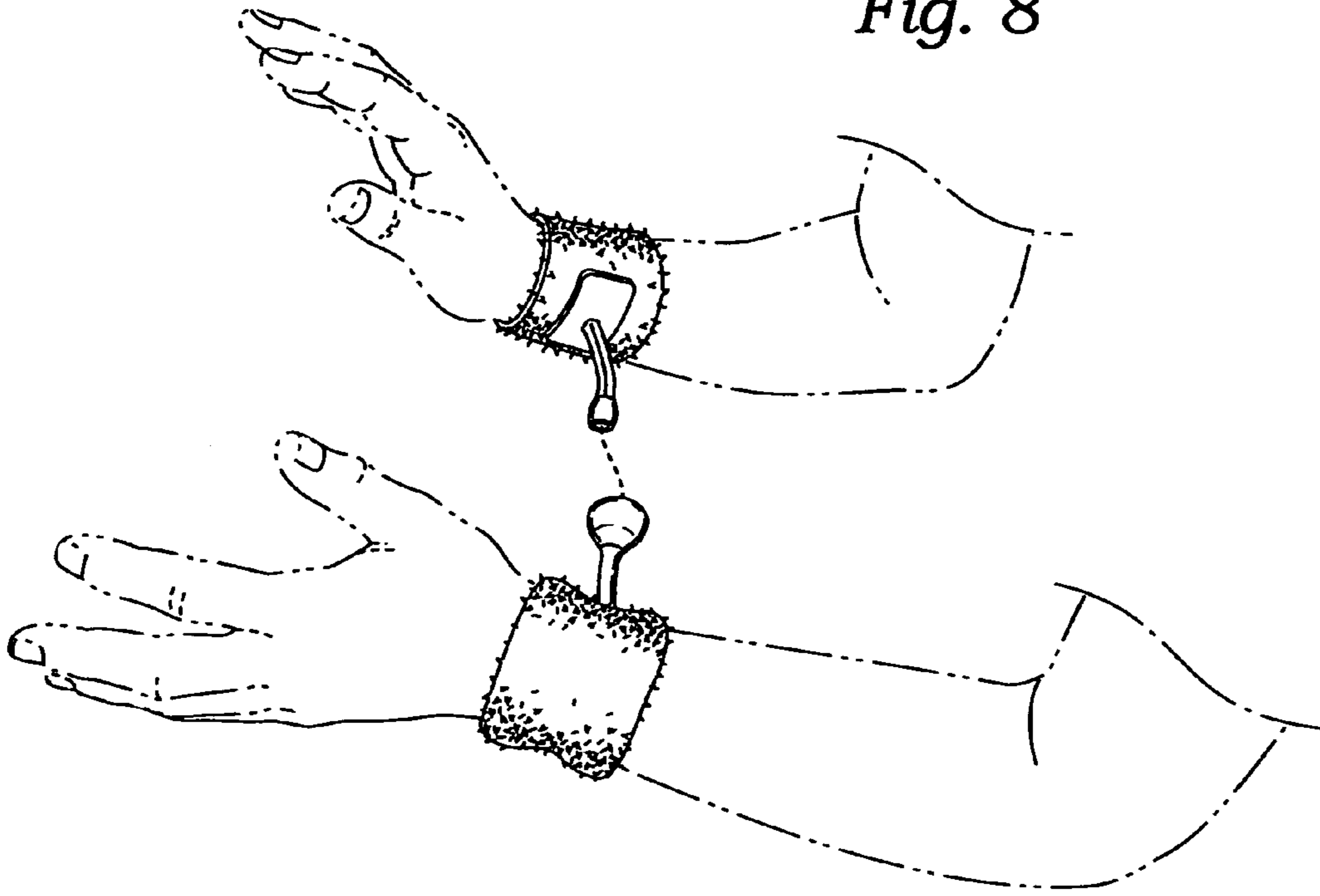


Fig. 9

