



US00D652881S

(12) **United States Design Patent**
Reddy

(10) **Patent No.:** **US D652,881 S**

(45) **Date of Patent:** **** Jan. 24, 2012**

(54) **BILLIARD BRIDGE**

Primary Examiner — Mitchell Siegel

(76) Inventor: **Ananth T. Reddy**, Midland, TX (US)

(74) *Attorney, Agent, or Firm* — QuickPatents, Inc.; Kevin Prince

(**) Term: **14 Years**

(21) Appl. No.: **29/397,156**

(57) **CLAIM**

(22) Filed: **Jul. 12, 2011**

I claim the ornamental design for a billiard bridge, as shown and described.

(51) **LOC (9) Cl.** **21-02**

(52) **U.S. Cl.** **D21/753**

(58) **Field of Classification Search** D21/726,
D21/753, 796; 473/42-43

See application file for complete search history.

DESCRIPTION

(56) **References Cited**

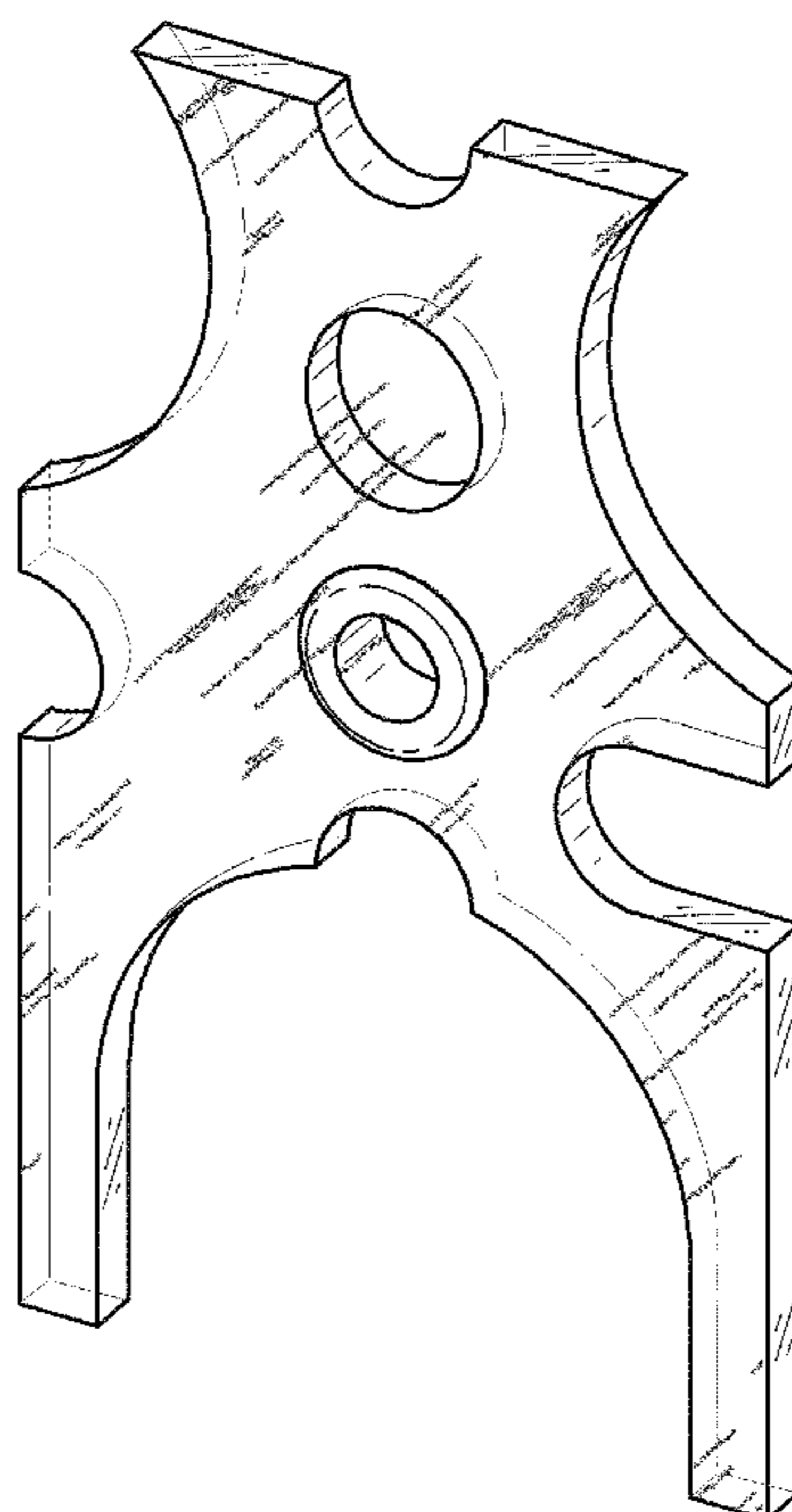
FIG. 1 is a perspective view of a billiard bridge, showing a transparent embodiment of my new design; FIG. 2 is a right-side elevational view of FIG. 1; FIG. 3 is a front elevational view of FIG. 1, the rear elevational view being a mirror image thereof; FIG. 4 is a left-side elevational view of FIG. 1; FIG. 5 is a top plan view of FIG. 1; FIG. 6 is a bottom plan view of FIG. 1; FIG. 7 is a perspective view of a second embodiment of a billiard bridge, being shown as opaque; FIG. 8 is a right-side elevational view of FIG. 7; FIG. 9 is a front elevational view of FIG. 7, the rear elevational view being a mirror image thereof; FIG. 10 is a left-side elevational view of FIG. 7; FIG. 11 is a top plan view of FIG. 7; and, FIG. 12 is a bottom plan view of FIG. 7. The broken lines showing a handle in FIGS. 2 and 8 depict environmental matter and form no part of the claimed design.

U.S. PATENT DOCUMENTS

298,342	A *	5/1884	Borst	473/42
304,216	A *	8/1884	McIntire	473/42
D29,997	S *	1/1899	Evans	D21/726
898,345	A	9/1908	Farnham	
2,817,525	A *	12/1957	Niemann	473/42
3,576,324	A *	4/1971	Lareau	473/42
D251,308	S	3/1979	Drake	
4,149,718	A *	4/1979	Russo	473/42
4,502,683	A	3/1985	Lobrovich	
4,907,799	A	3/1990	Danner et al.	
4,953,860	A *	9/1990	Ames	473/42
D483,425	S *	12/2003	Rider	D21/726
D485,319	S *	1/2004	Keller	D21/726
D486,193	S *	2/2004	Keller	D21/726
6,929,555	B2	8/2005	Morton	
D570,932	S *	6/2008	Drapp	D21/726
D588,216	S *	3/2009	Manneraak	D21/726
2006/0009300	A1	1/2006	Hernandez	
2006/0025228	A1	2/2006	Light	

* cited by examiner

1 Claim, 6 Drawing Sheets



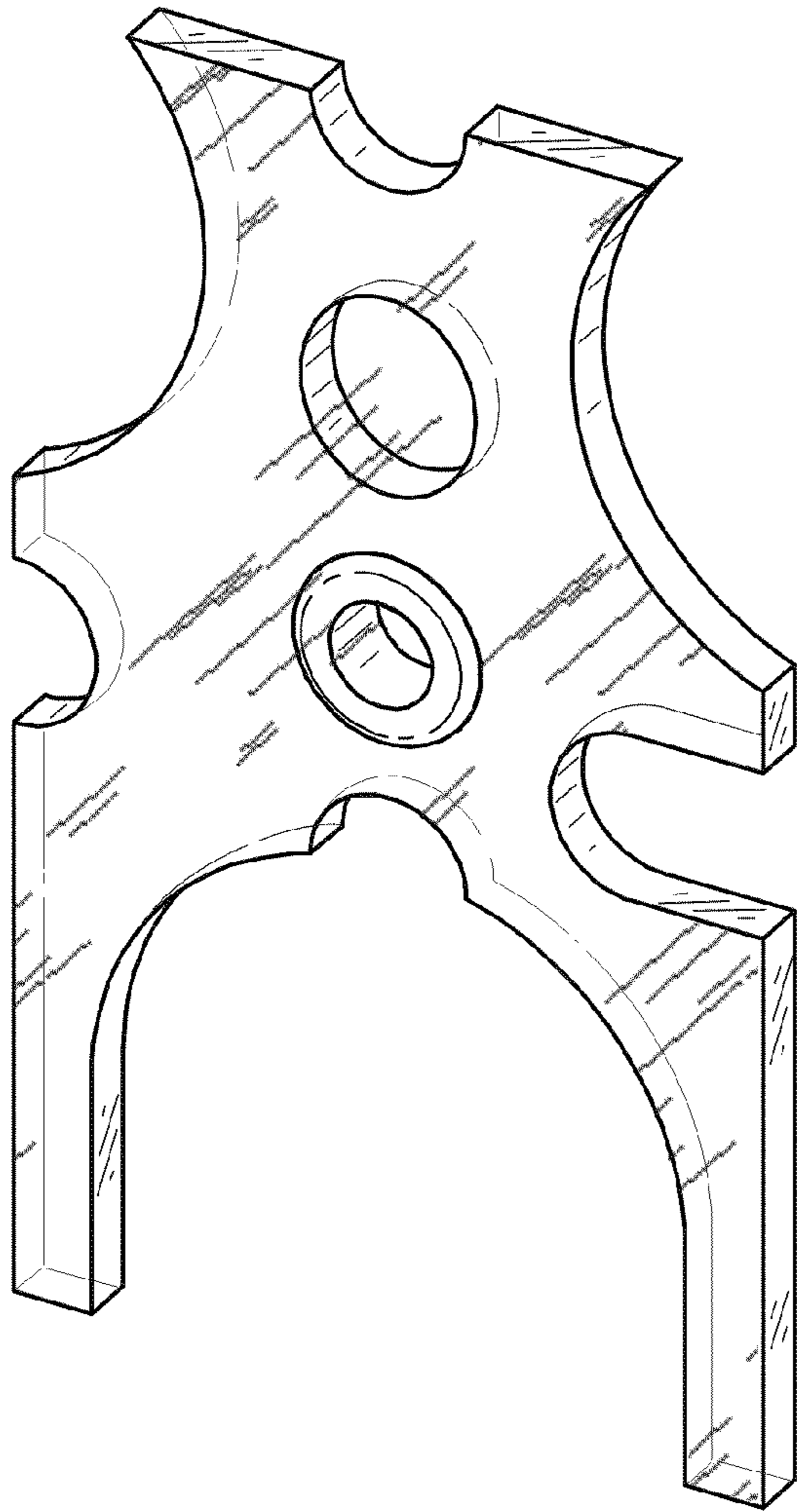


FIG. 1

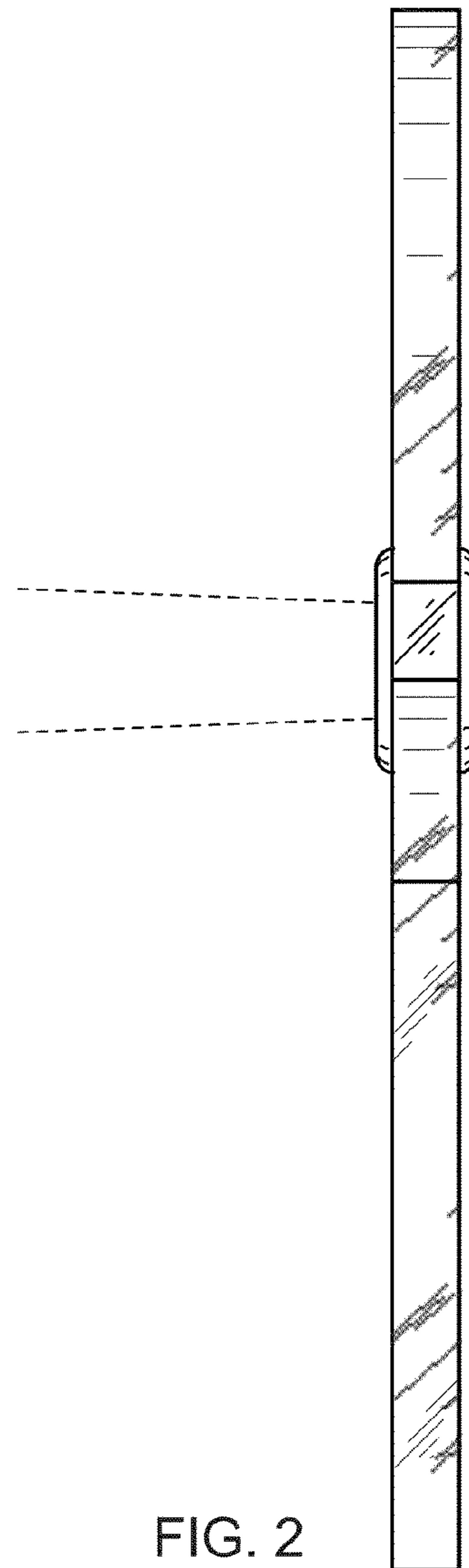


FIG. 2

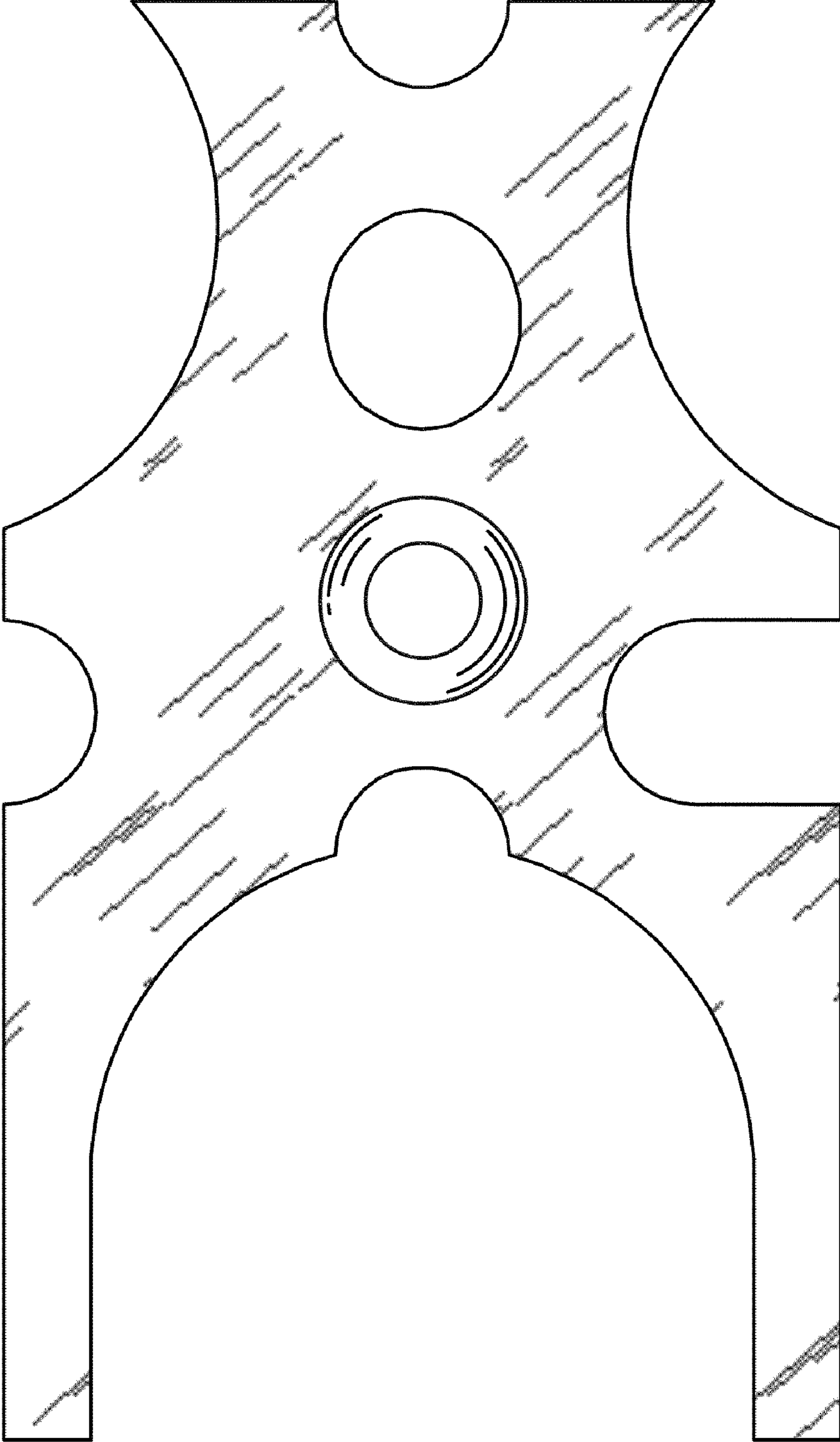


FIG. 3

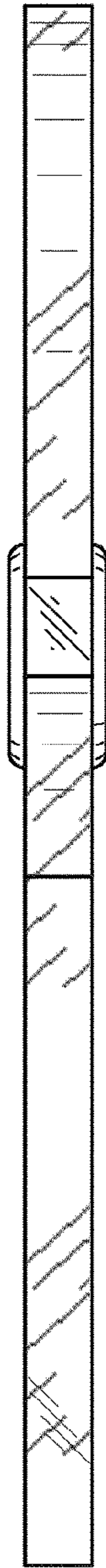


FIG. 4

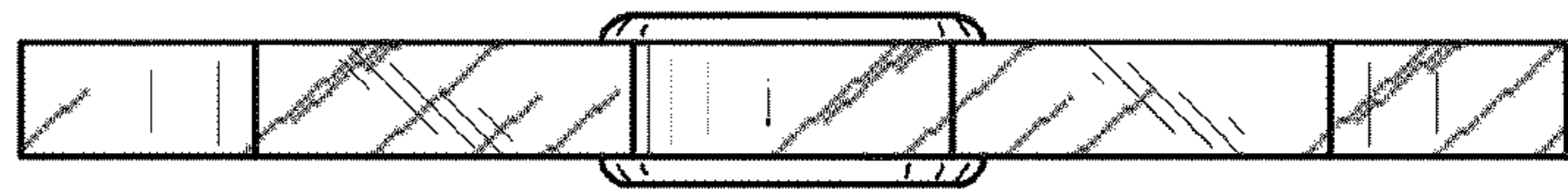


FIG. 5

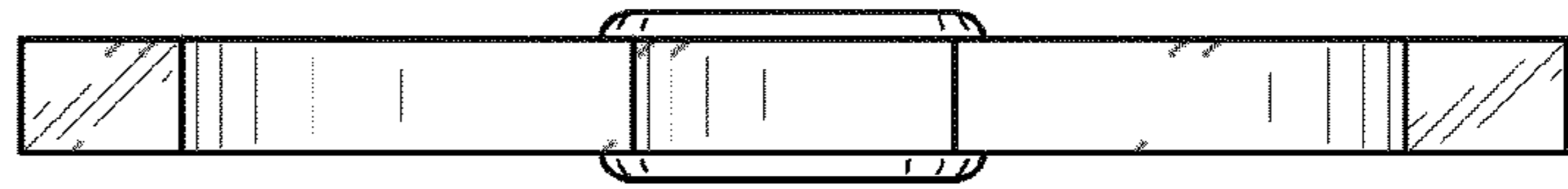


FIG. 6

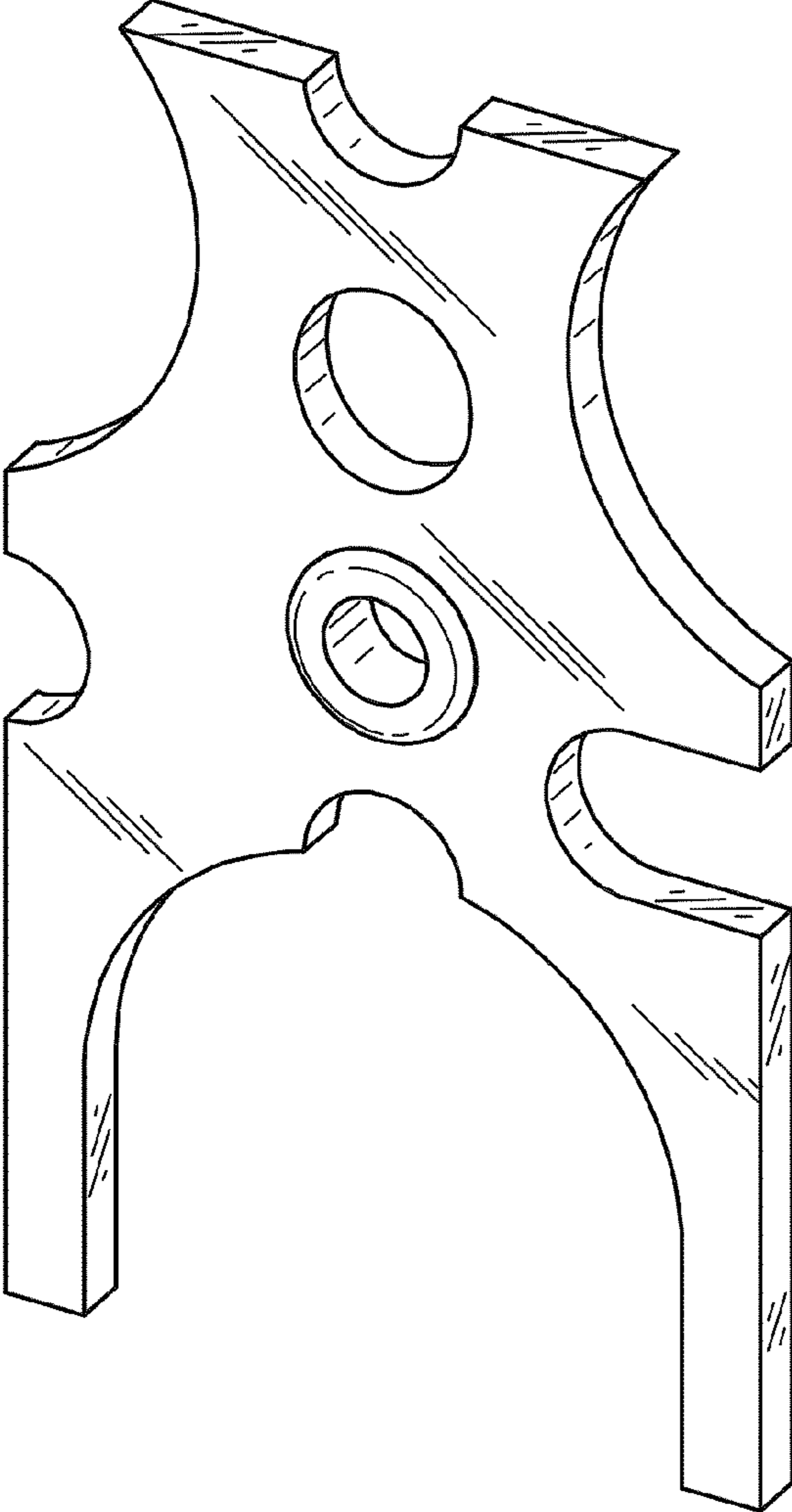


FIG. 7

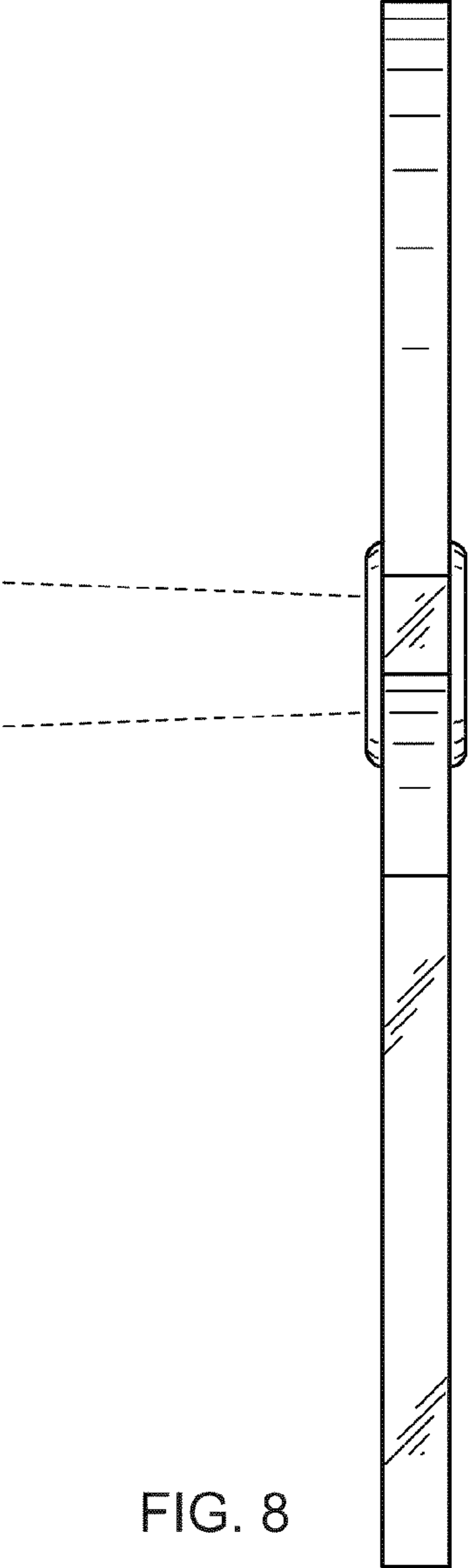


FIG. 8

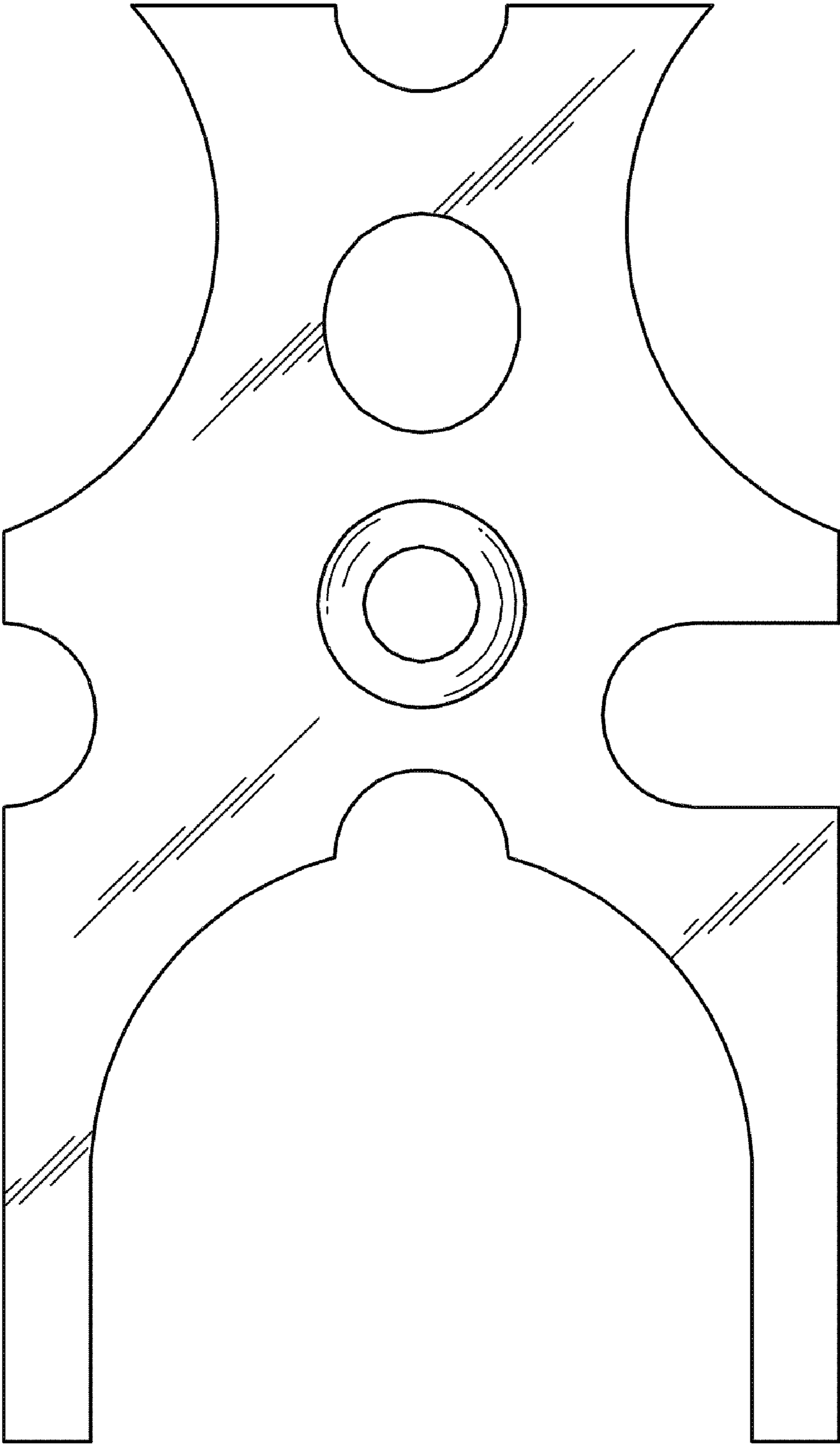


FIG. 9

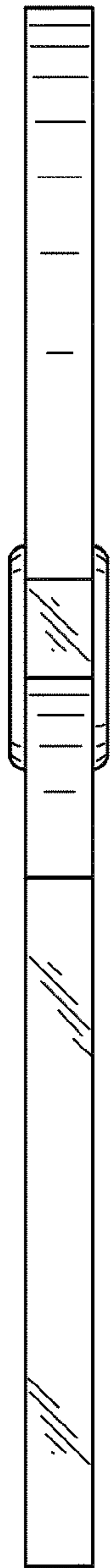


FIG. 10



FIG. 11

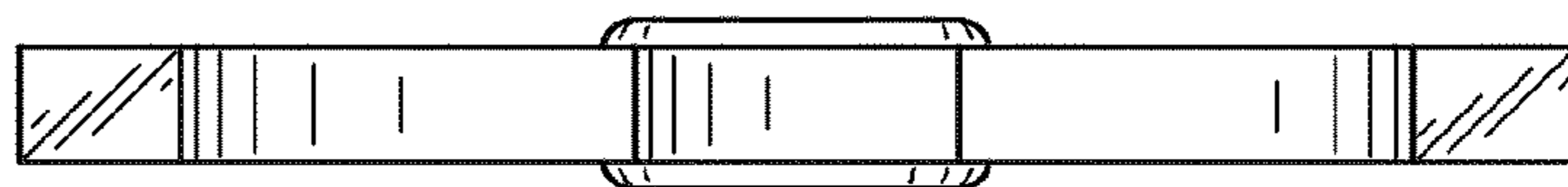


FIG. 12