



US00D652876S

(12) **United States Design Patent**
Lotzof

(10) **Patent No.:** **US D652,876 S**
(45) **Date of Patent:** **** Jan. 24, 2012**

(54) **REAL ESTATE SIGN**

(76) Inventor: **Marc Lotzof**, San Diego, CA (US)

(**) Term: **14 Years**

(21) Appl. No.: **29/393,539**

(22) Filed: **Jun. 6, 2011**

(51) **LOC (9) Cl.** **20-02**

(52) **U.S. Cl.** **D20/41**

(58) **Field of Classification Search** D20/10,
D20/17, 19, 39-43, 99; 40/446, 452, 538,
40/541, 544, 584, 605, 606.19, 607.01, 607.03-607.06,
40/607.11; D10/109.1, 109.2; D99/29; 52/38;
248/105, 156; 362/812

See application file for complete search history.

(56) **References Cited**

U.S. PATENT DOCUMENTS

4,279,104 A * 7/1981 Classen 52/38
(Continued)

Primary Examiner — Mary Ann Calabrese

(74) *Attorney, Agent, or Firm* — Mark Wisnosky

(57) **CLAIM**

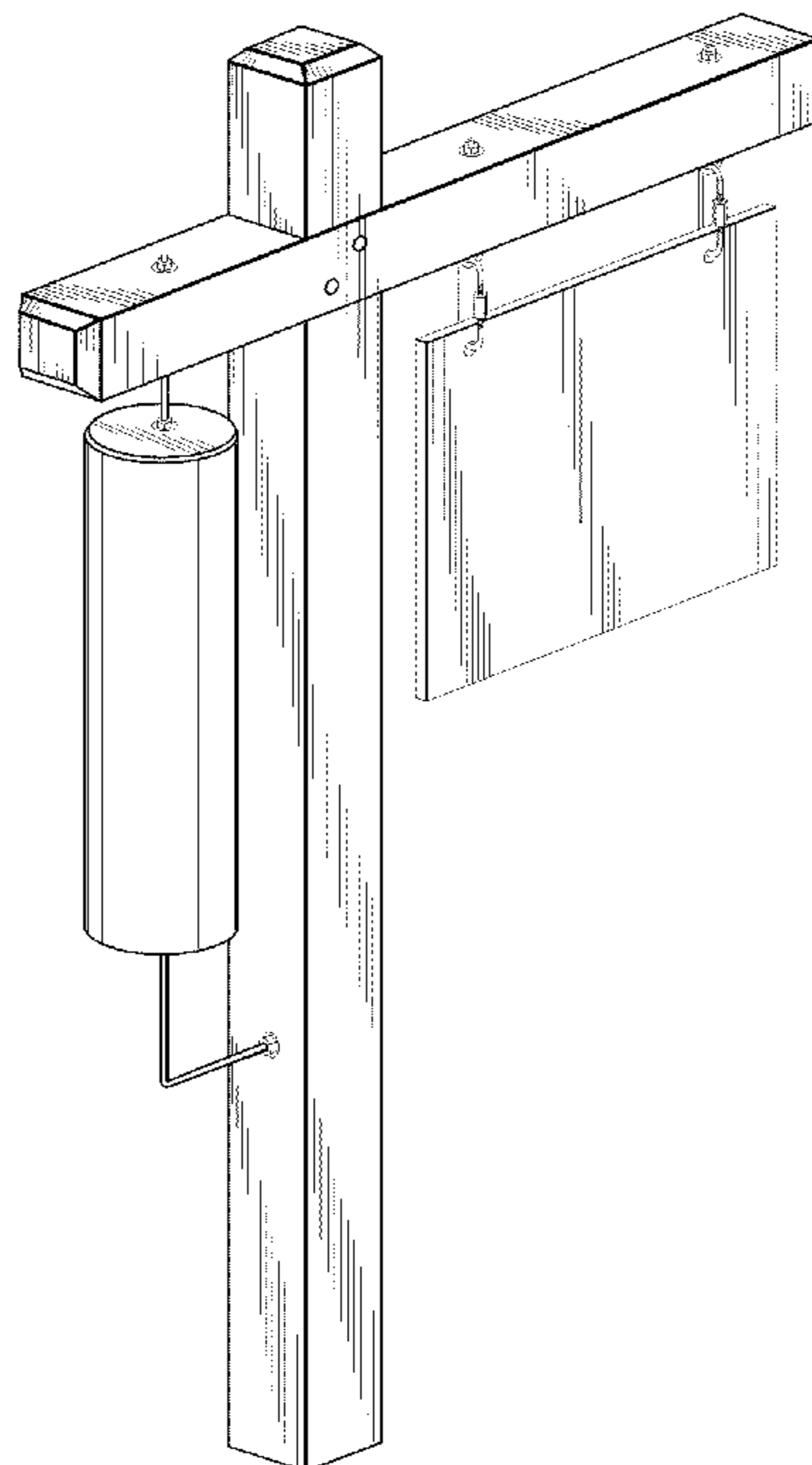
The ornamental design for a real estate sign, as shown and described.

DESCRIPTION

FIG. 1 is a right side view of an invented real estate sign.
FIG. 2 is a left side view of the embodiment shown in FIG. 1.
FIG. 3 is a front view of the embodiment shown in FIG. 1.

FIG. 4 is a back view of the embodiment shown in FIG. 1.
FIG. 5 is a top view of the embodiment shown in FIG. 1.
FIG. 6 is a bottom view of the embodiment shown in FIG. 1.
FIG. 7 is a perspective drawing of the embodiment of FIG. 1.
FIG. 8 is a right side view of a second embodiment of an invented real estate sign.
FIG. 9 is a left side view of the embodiment shown in FIG. 8.
FIG. 10 is a front view of the embodiment shown in FIG. 8.
FIG. 11 is a back view of the embodiment shown in FIG. 8.
FIG. 12 is a top view of the embodiment shown in FIG. 8.
FIG. 13 is a bottom view of the embodiment shown in FIG. 8.
FIG. 14 is a perspective drawing of the embodiment of FIG. 8.
FIG. 15 is a right side view of a third embodiment of an invented real estate sign.
FIG. 16 is a left side view of the embodiment shown in FIG. 15.
FIG. 17 is a front view of the embodiment shown in FIG. 15.
FIG. 18 is a back view of the embodiment shown in FIG. 15.
FIG. 19 is a top view of the embodiment shown in FIG. 15.
FIG. 20 is a bottom view of the embodiment shown in FIG. 15.
FIG. 21 is a perspective drawing of the embodiment of FIG. 15.
FIG. 22 is a right side view of a fourth embodiment of an invented real estate sign.
FIG. 23 is a left side view of the embodiment shown in FIG. 22.
FIG. 24 is a front view of the embodiment shown in FIG. 22.
FIG. 25 is a back view of the embodiment shown in FIG. 22.
FIG. 26 is a top view of the embodiment shown in FIG. 22.
FIG. 27 is a bottom view of the embodiment shown in FIG. 22; and,
FIG. 28 is a perspective drawing of the embodiment of FIG. 22.

1 Claim, 20 Drawing Sheets



US D652,876 S

Page 2

U.S. PATENT DOCUMENTS

4,327,514	A *	5/1982	Bourque	40/607.06	5,903,991	A *	5/1999	Sasse	40/607.04
4,357,772	A	11/1982	Amick et al.			D470,189	S *	2/2003	Nguyen	D20/41
4,441,679	A *	4/1984	Calet	248/156	D537,123	S	2/2007	Thomas		
4,843,746	A *	7/1989	DesNoyers et al.	40/607.04	7,231,735	B2 *	6/2007	Gelbert	40/541
4,910,901	A *	3/1990	Boyar	40/607.06	D641,793	S *	7/2011	Dumontier	D20/41
5,230,176	A	7/1993	Schomaker			2006/0101690	A1	5/2006	Terbert		
5,400,535	A *	3/1995	Schomaker	40/607.11	2007/0193088	A1 *	8/2007	Lemberger et al.	40/544
5,833,181	A *	11/1998	DesNoyers	248/156						

* cited by examiner

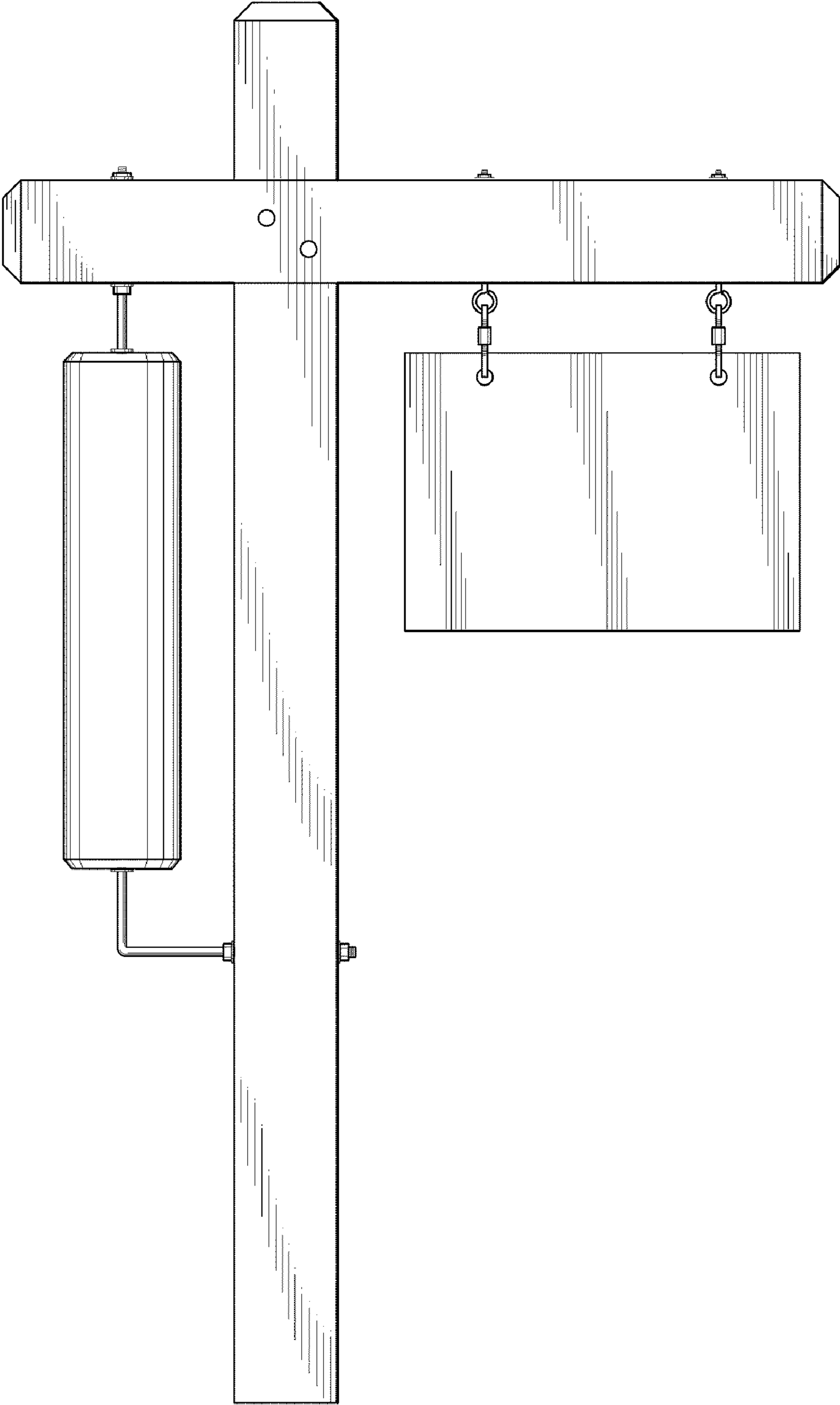


Fig. 1

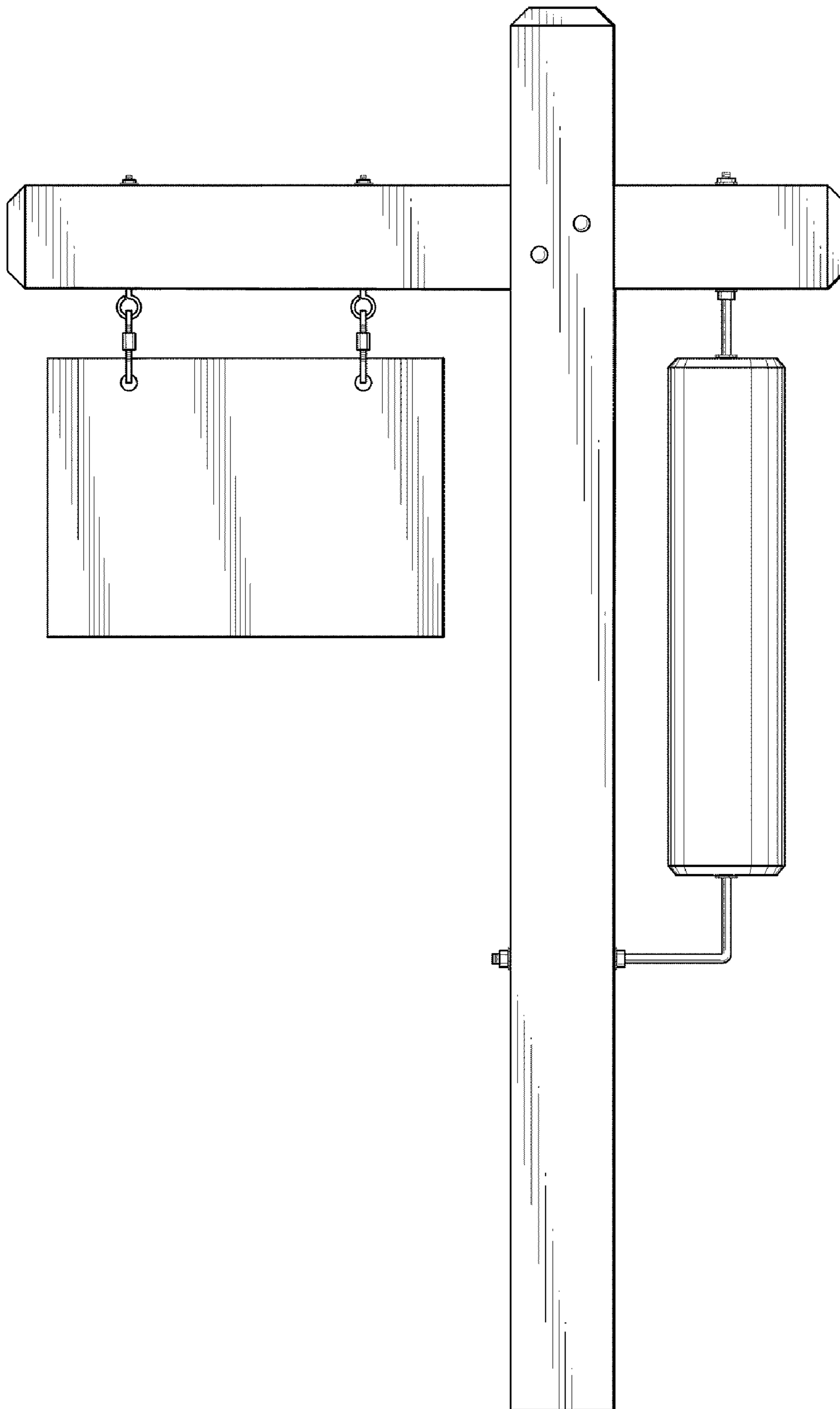


Fig. 2

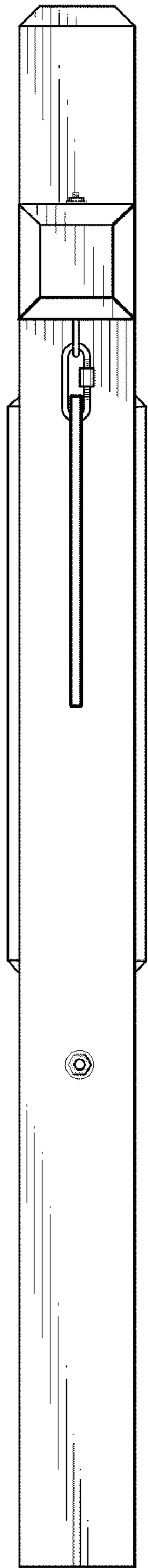


Fig. 3

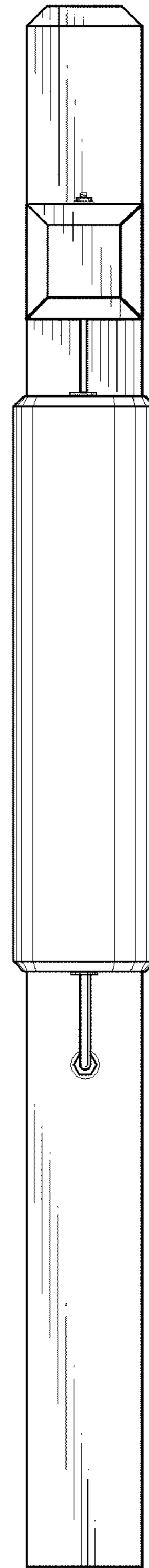


Fig. 4

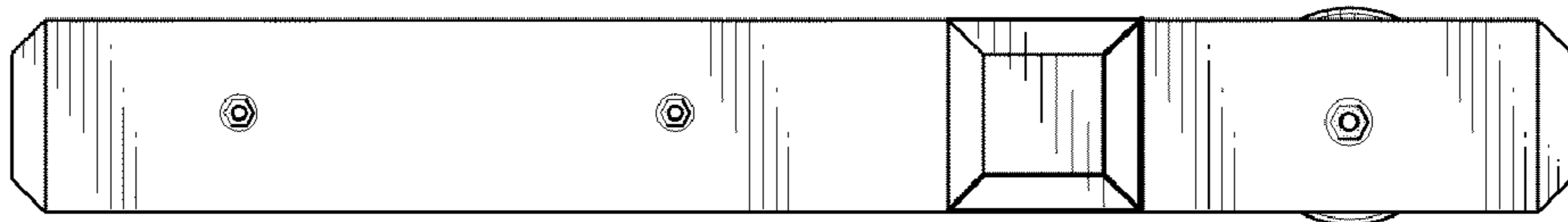


Fig. 5

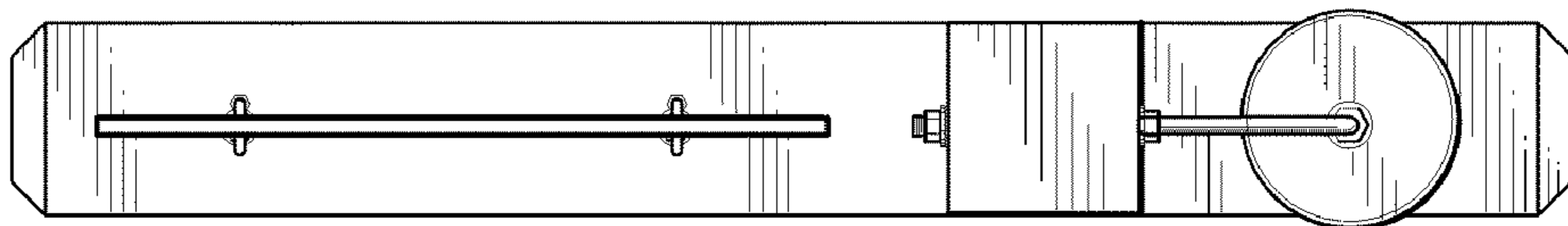


Fig. 6

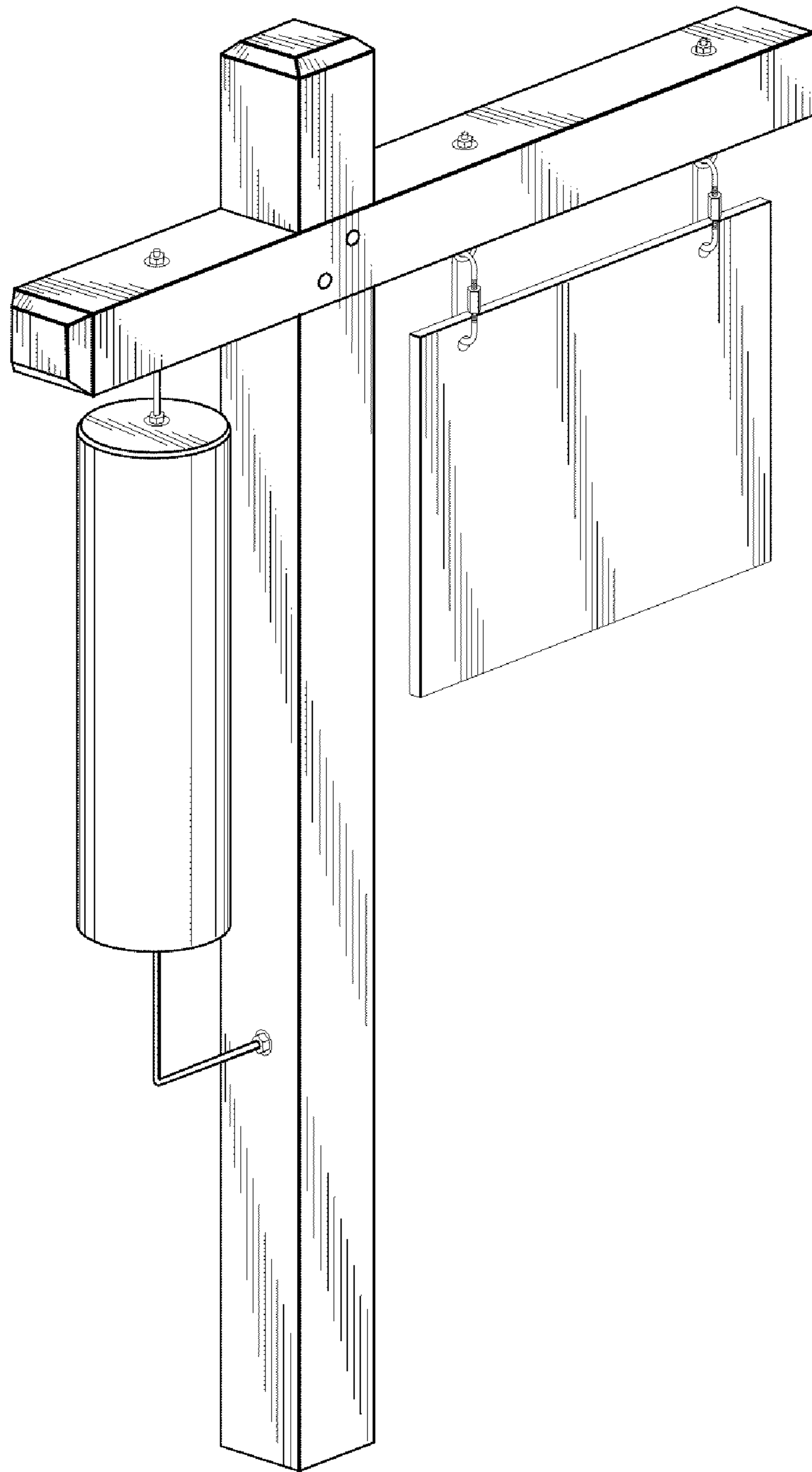


Fig. 7

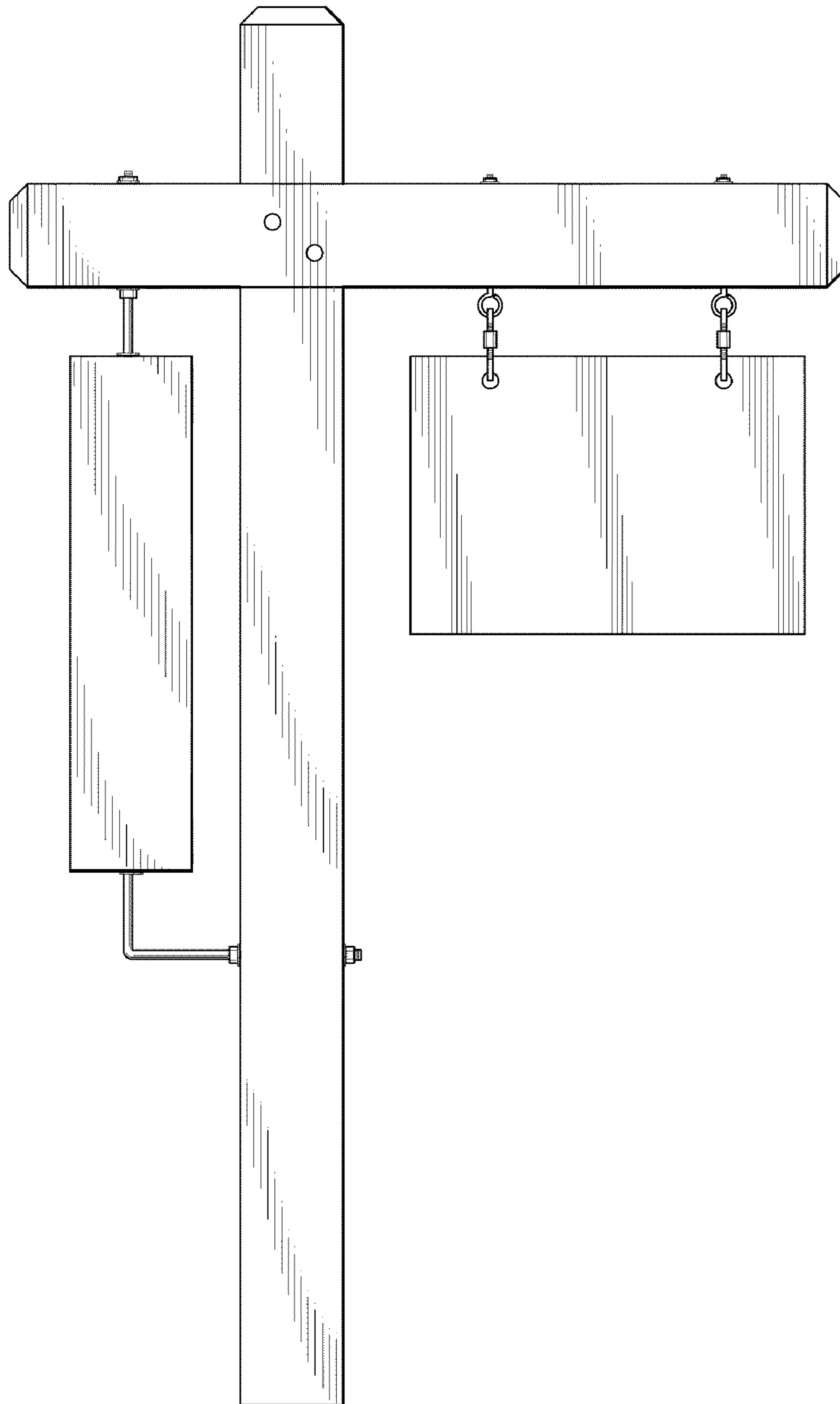


Fig. 8

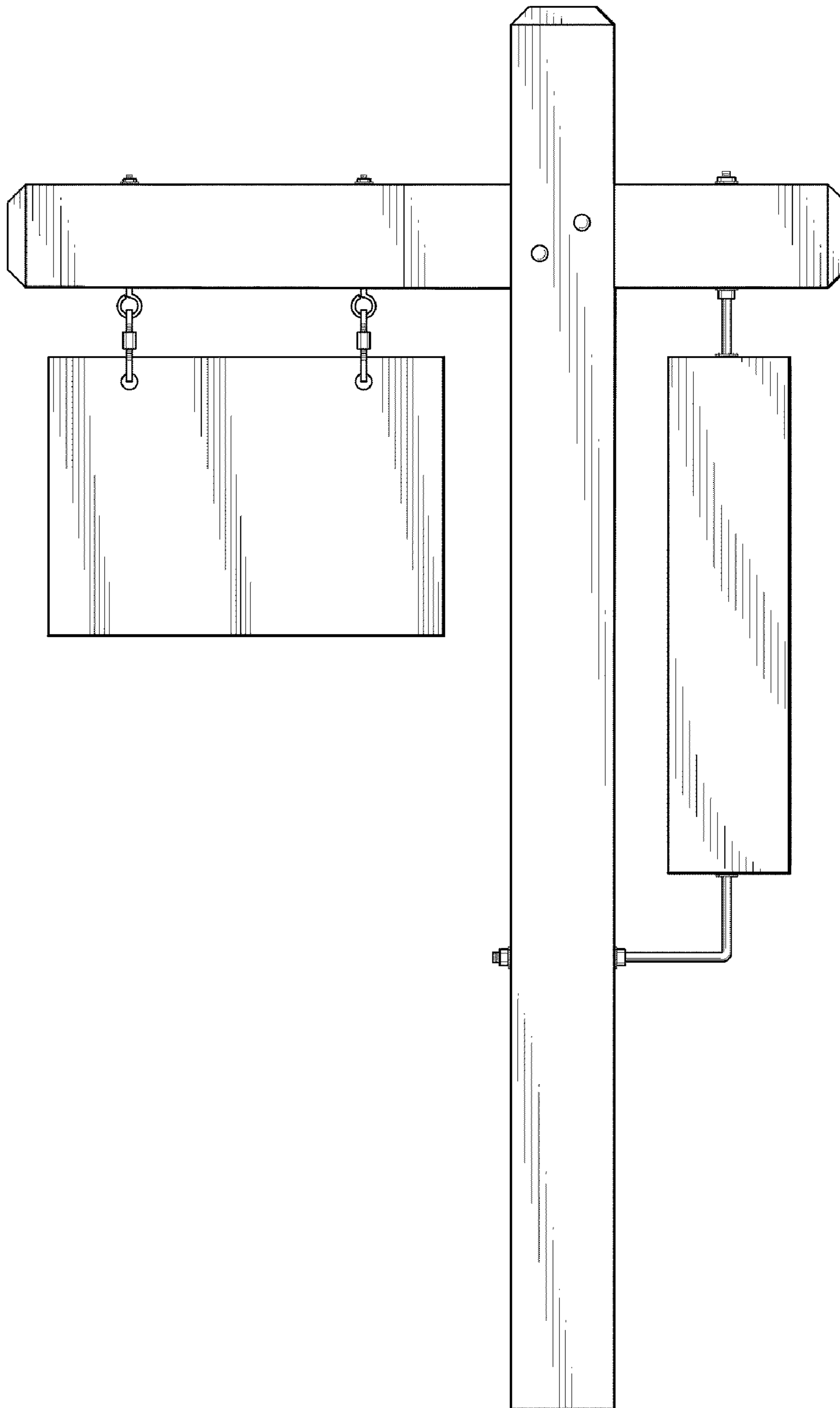


Fig. 9

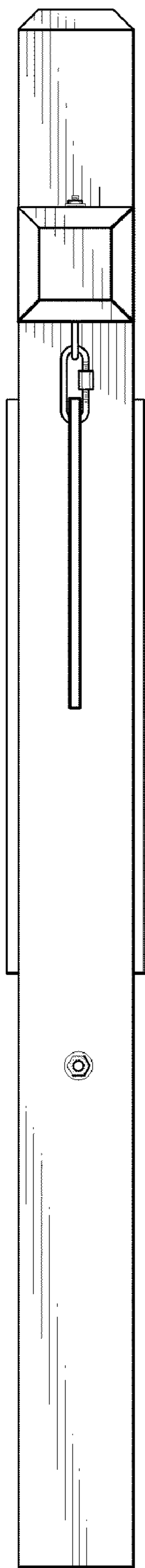


Fig. 10

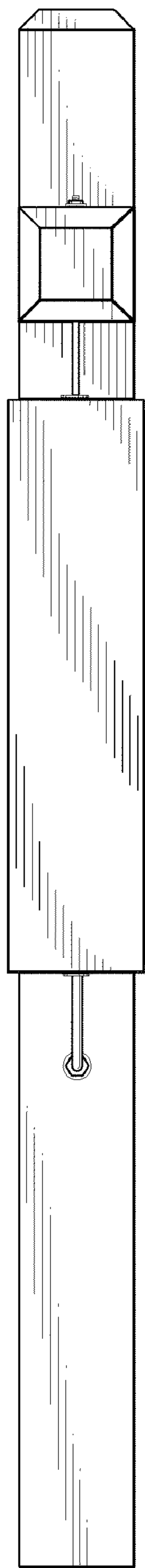


Fig. 11

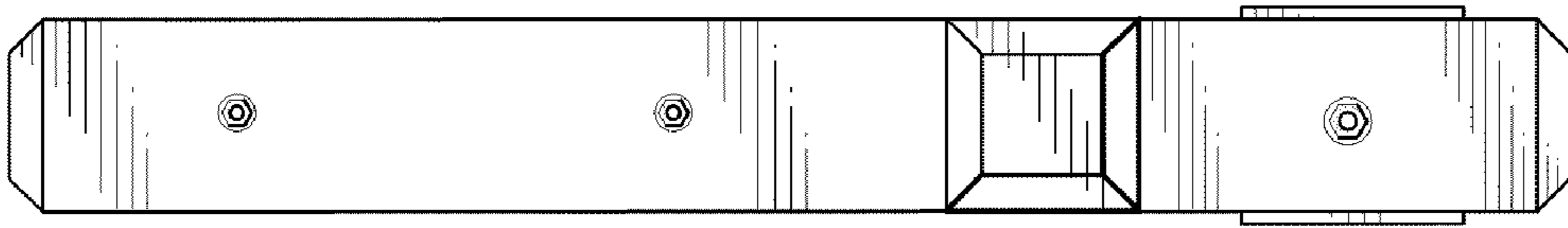


Fig. 12

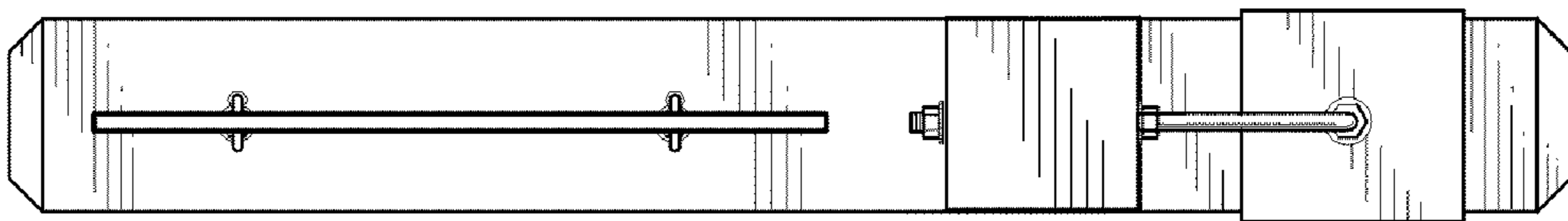


Fig. 13

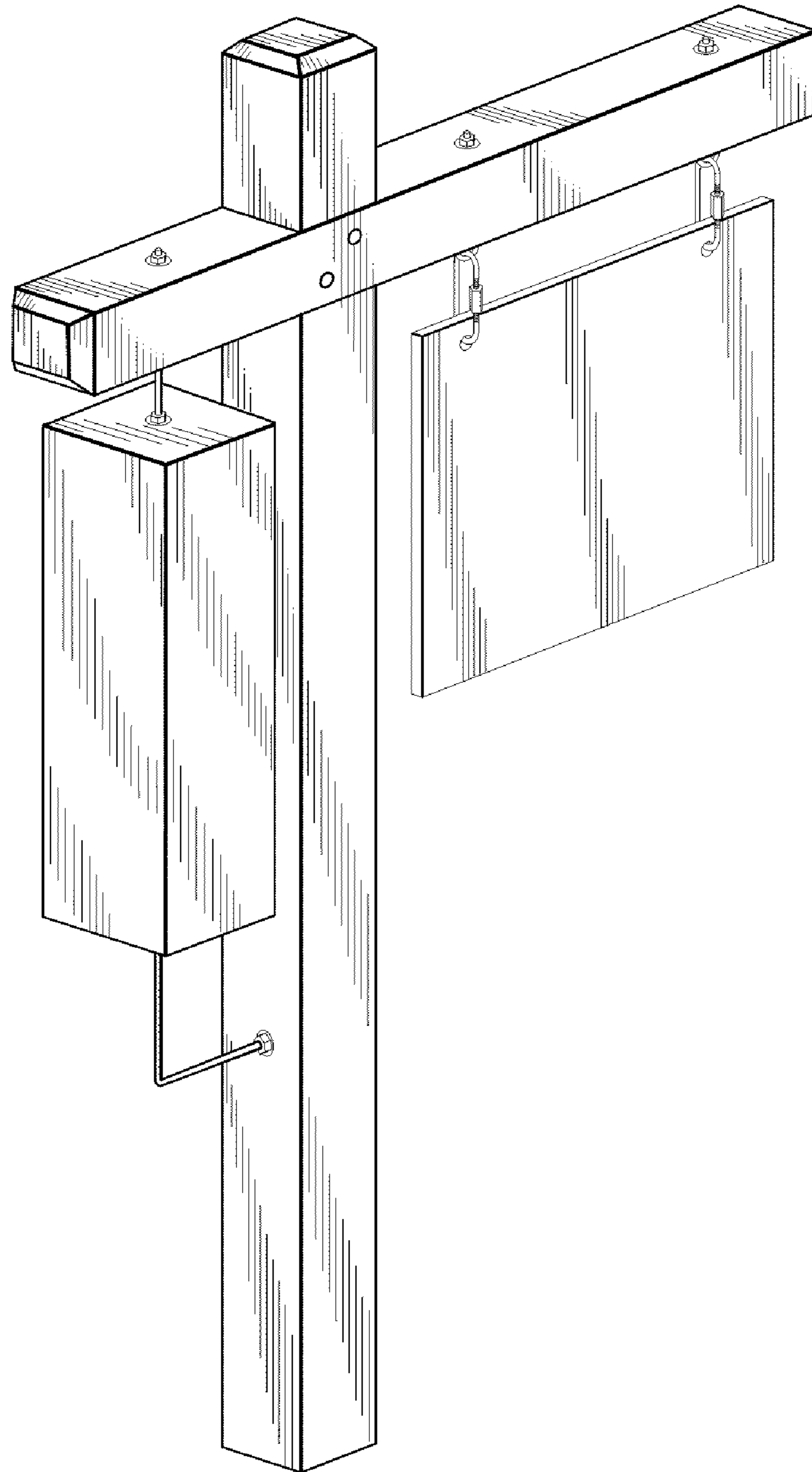


Fig. 14

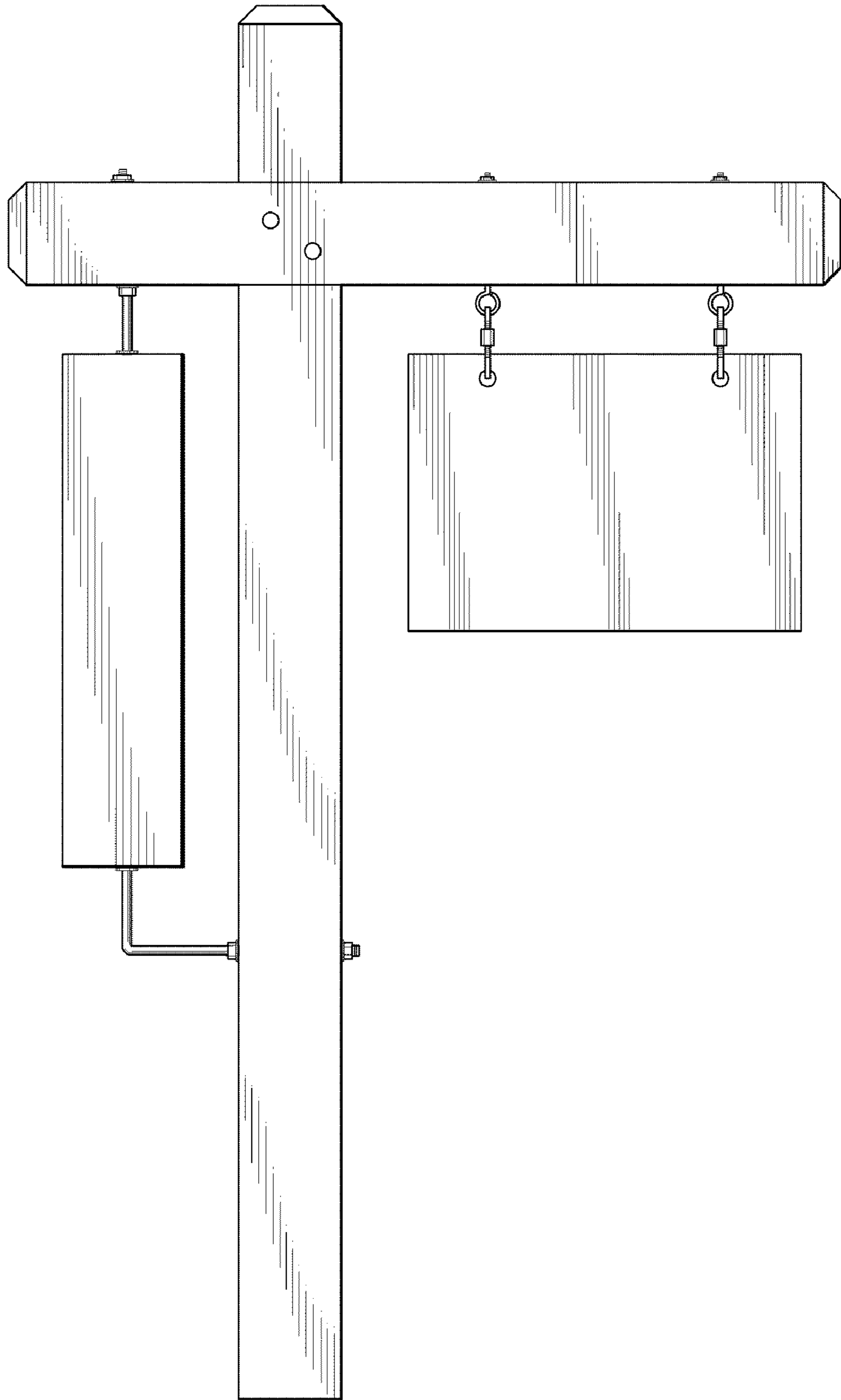


Fig. 15

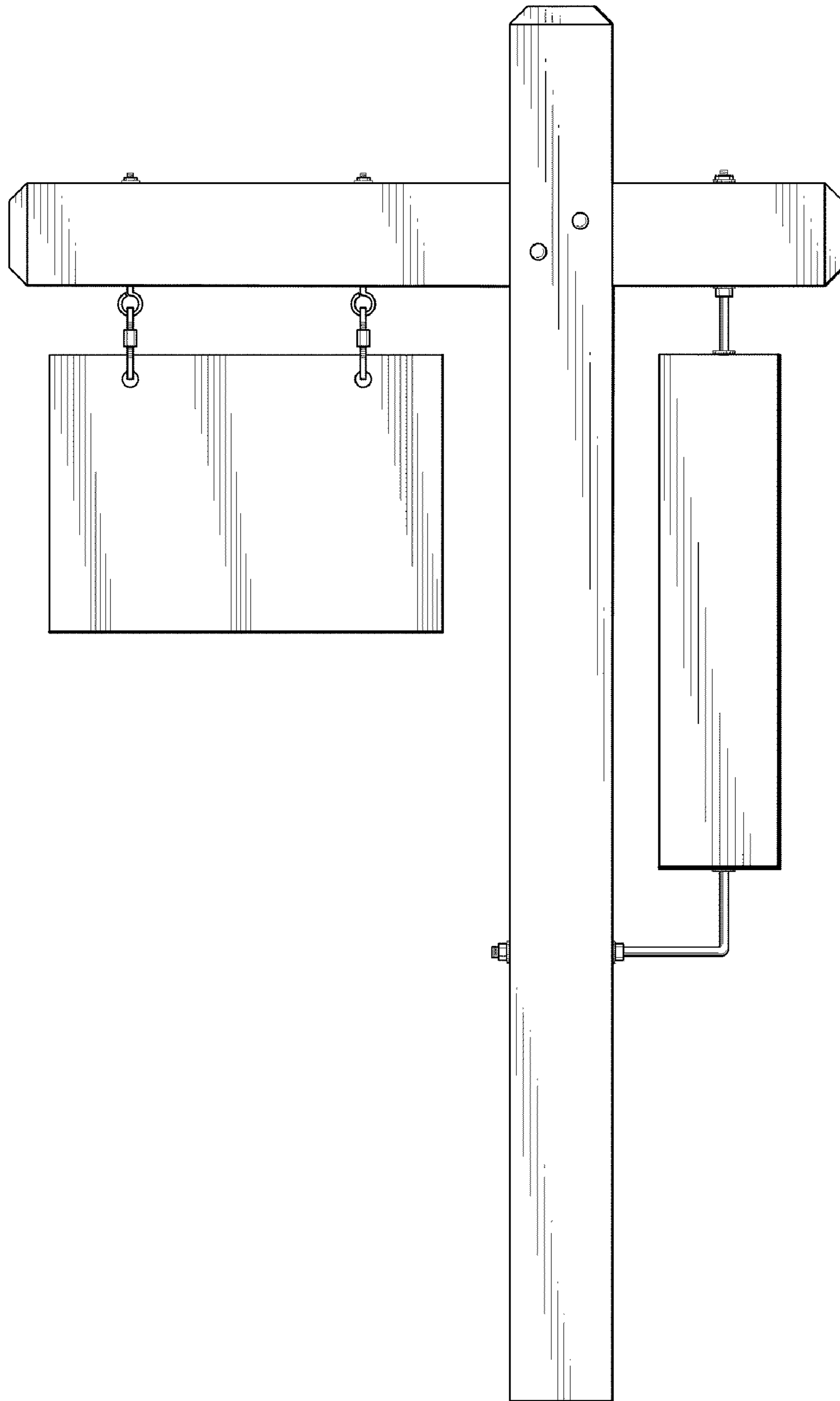


Fig. 16

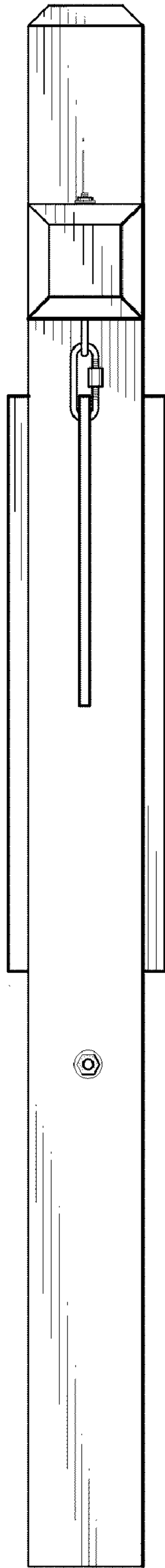


Fig. 17

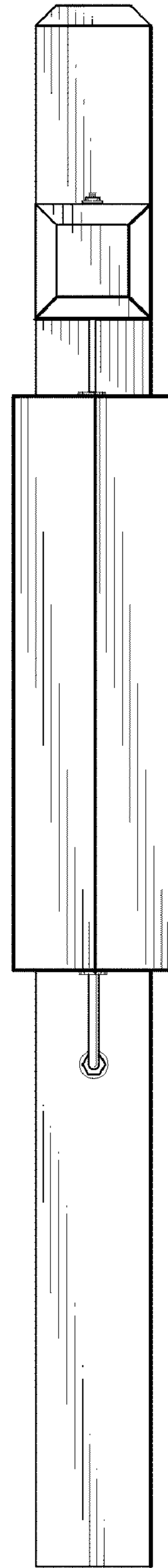


Fig. 18

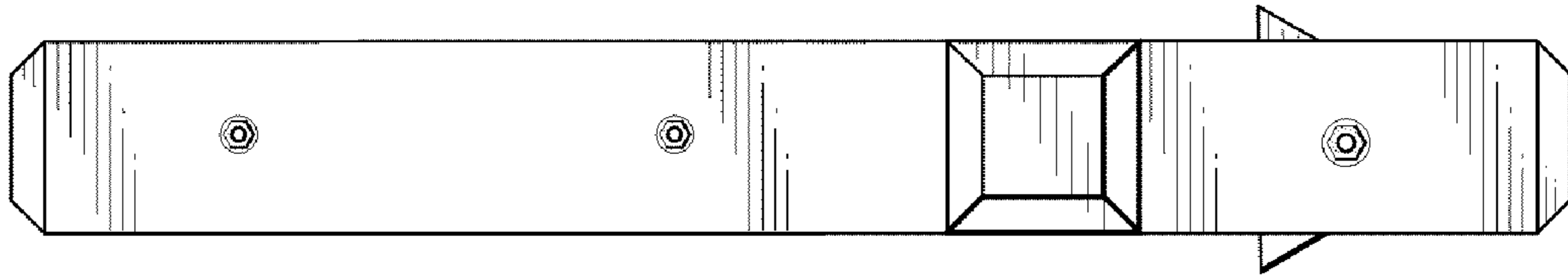


Fig. 19

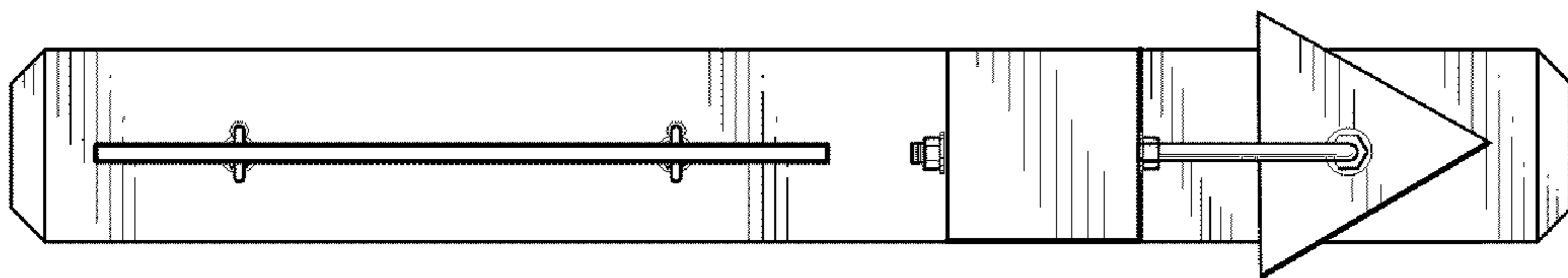


Fig. 20

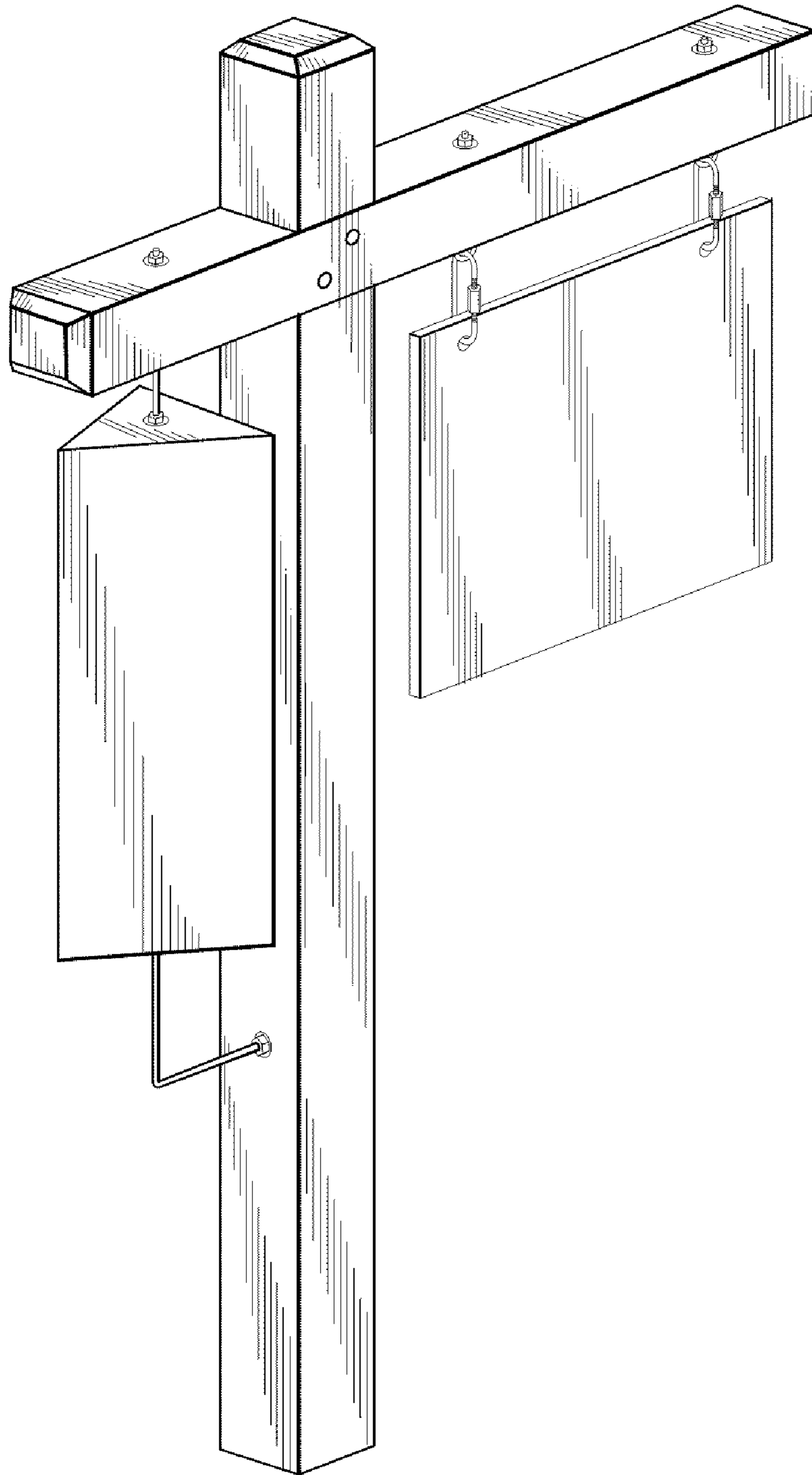


Fig. 21

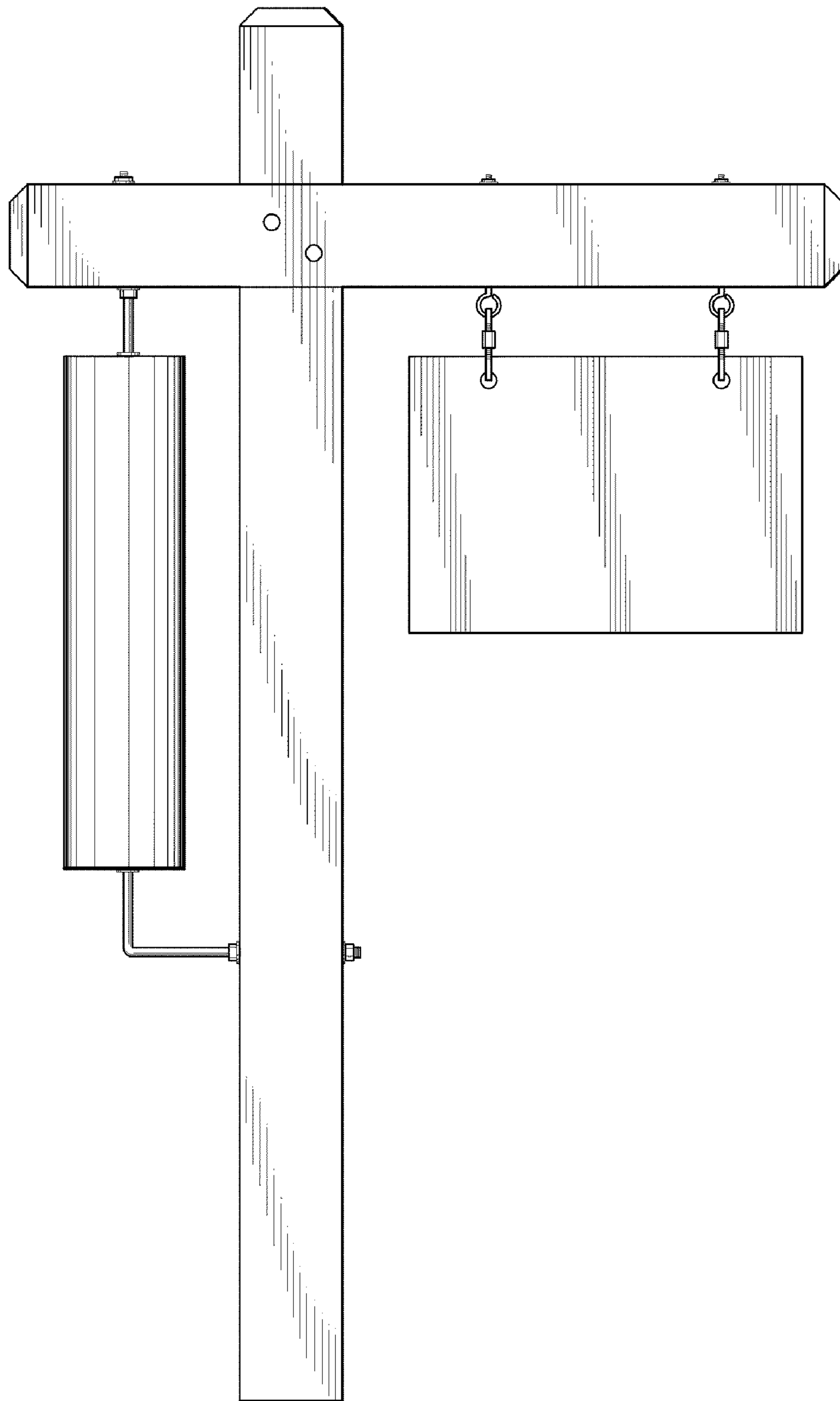


Fig. 22

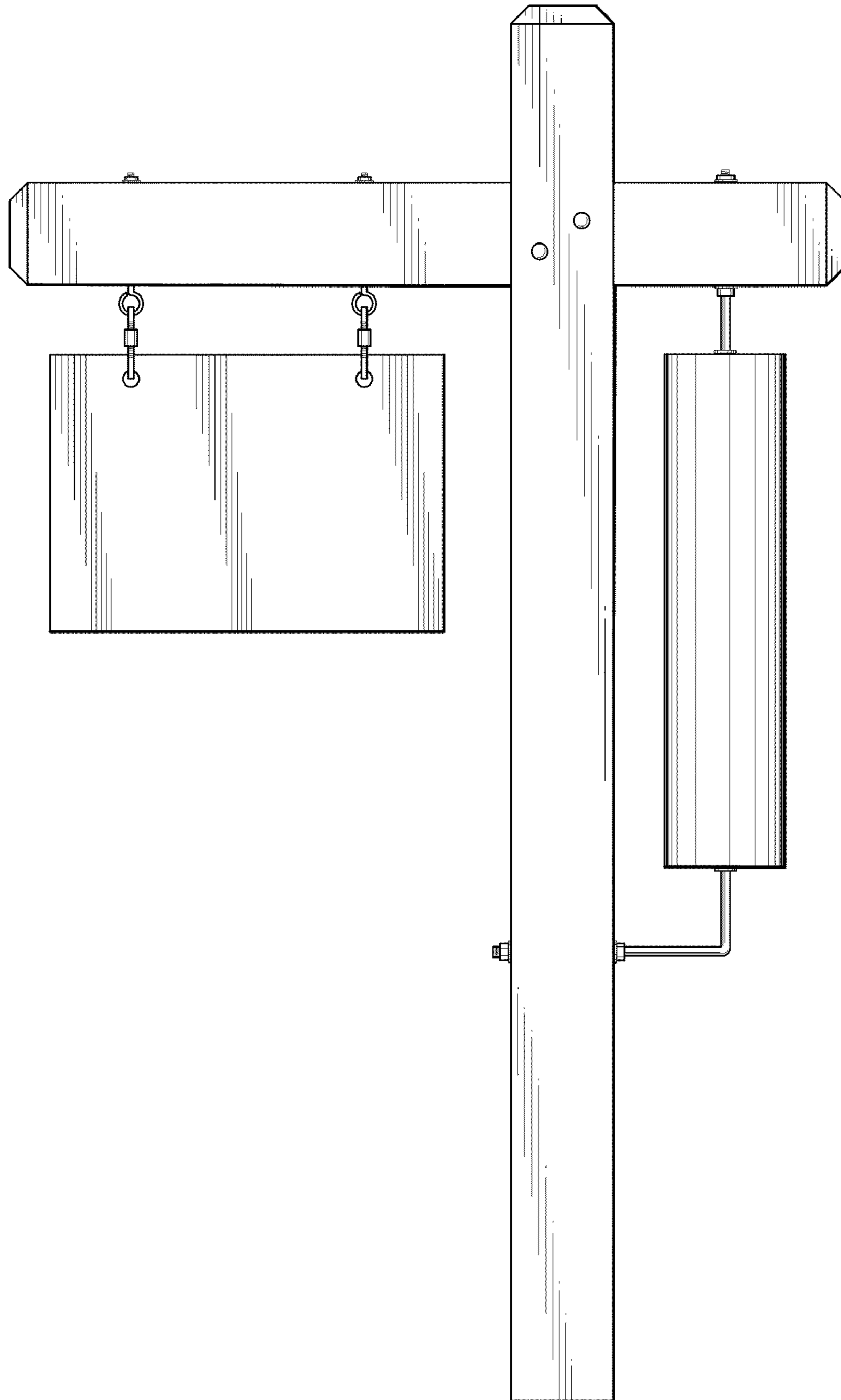


Fig. 23

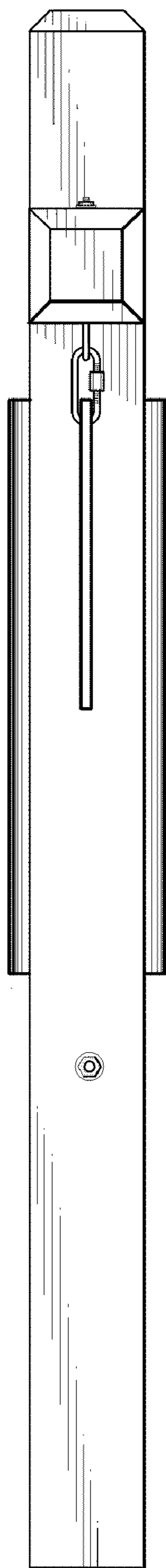


Fig. 24

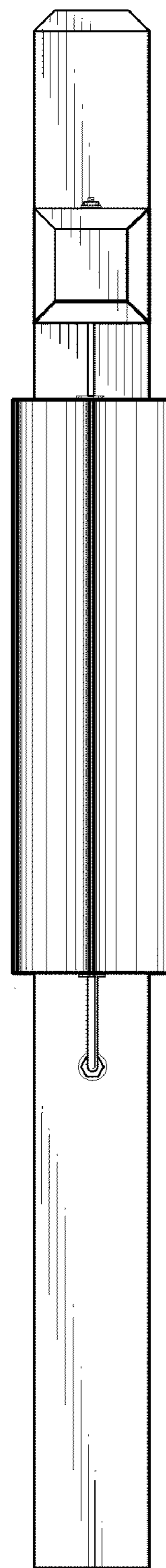


Fig. 25

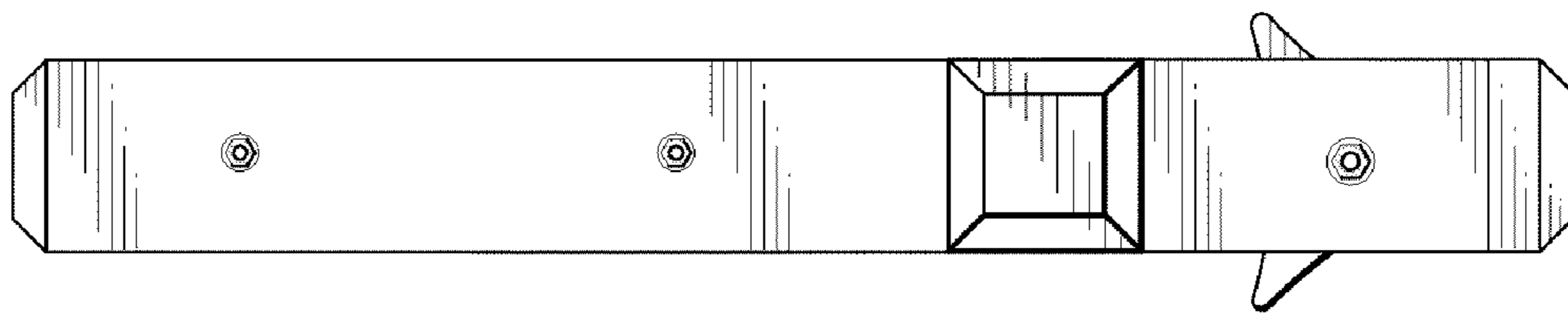


Fig. 26

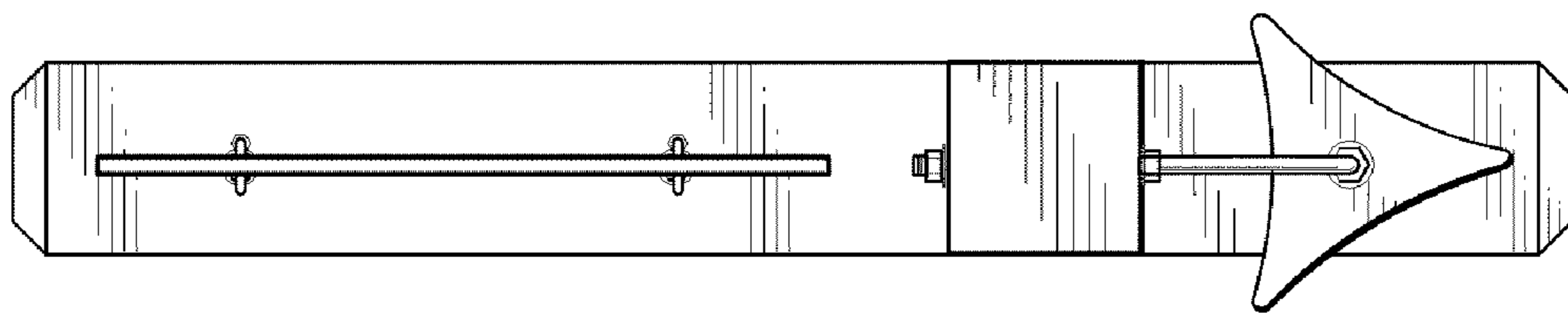


Fig. 27

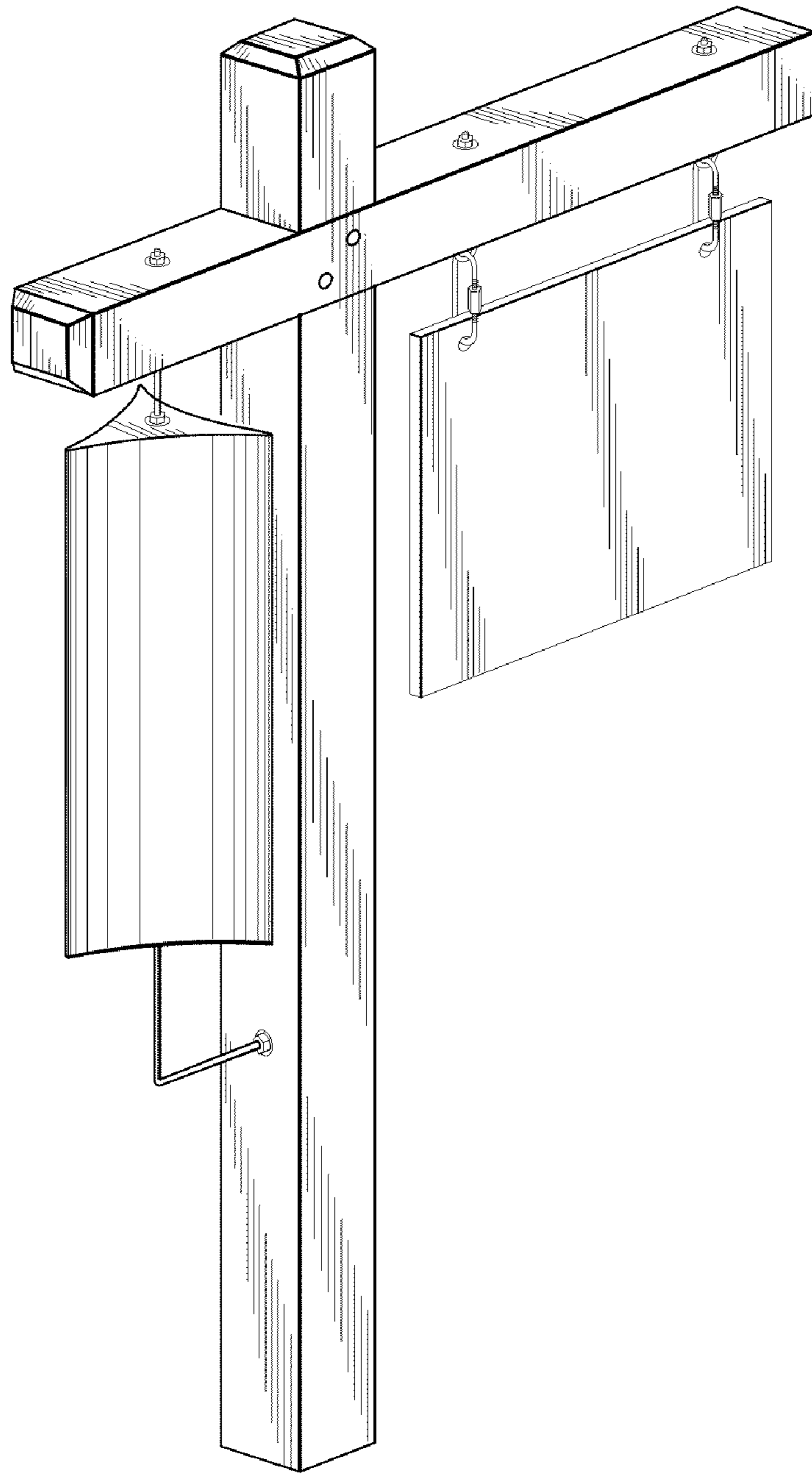


Fig. 28