

US00D652871S

(12) **United States Design Patent**  
**Wan**

(10) **Patent No.:** **US D652,871 S**  
(45) **Date of Patent:** **\*\* Jan. 24, 2012**

(54) **PUNCH**

(75) Inventor: **Yiu Kwong Wan**, Hong Kong (HK)

(73) Assignee: **Lee Tack Stationary Manufactory Ltd.**, New Territories (HK)

(\*\*) Term: **14 Years**

(21) Appl. No.: **29/369,776**

(22) Filed: **Sep. 13, 2010**

(30) **Foreign Application Priority Data**

Aug. 24, 2010 (EM) ..... 001746256-001

(51) **LOC (9) Cl.** ..... **19-02**

(52) **U.S. Cl.** ..... **D19/72**

(58) **Field of Classification Search** ..... D8/98;  
D19/72; 30/358, 363; 83/167, 613, 618,  
83/620, 633, 684, 685, 686, 687, 688, 689,  
83/690, 691

See application file for complete search history.

(56) **References Cited**

**U.S. PATENT DOCUMENTS**

D433,062	S	*	10/2000	Ho	.....	D19/72
D482,729	S	*	11/2003	Chi Kuo	.....	D19/72
D491,230	S	*	6/2004	Lee	.....	D19/72
D499,449	S	*	12/2004	Chan	.....	D19/72
D516,397	S	*	3/2006	Kent et al.	.....	D8/50
D529,094	S	*	9/2006	Weng	.....	D19/72
D529,095	S	*	9/2006	Tou	.....	D19/72
D533,229	S	*	12/2006	Tou	.....	D19/72
D588,198	S	*	3/2009	Yamashita et al.	.....	D19/72
D605,226	S	*	12/2009	Nishimura	.....	D19/72
7,726,227	B2	*	6/2010	Chan	.....	83/685

7,739,936	B2	*	6/2010	Chan	.....	83/447
D628,647	S	*	12/2010	Chan	.....	D19/72
D628,648	S	*	12/2010	Chan	.....	D19/72
D631,916	S	*	2/2011	Davies et al.	.....	D19/72
2002/0139231	A1	*	10/2002	Lee	.....	83/549
2005/0039590	A1	*	2/2005	Weng	.....	83/684
2007/0006705	A1	*	1/2007	Oh	.....	83/619
2008/0034937	A1	*	2/2008	Aniceto et al.	.....	83/588
2008/0060567	A1	*	3/2008	Aniceto et al.	.....	112/475.01
2009/0049971	A1	*	2/2009	Yamashita et al.	.....	83/468
2009/0188365	A1	*	7/2009	Chan	.....	83/613
2009/0235801	A1	*	9/2009	Chan	.....	83/686

\* cited by examiner

*Primary Examiner* — Elizabeth Albert

(74) *Attorney, Agent, or Firm* — William J. Sapone;  
Coleman Sudol Sapone P.C.

(57) **CLAIM**

I claim the ornamental design for a punch, as shown and described.

**DESCRIPTION**

FIG. 1 is a front perspective view of the punch showing my new design;

FIG. 2 is a rear perspective view of the punch of FIG. 1;

FIG. 3 is a top view thereof;

FIG. 4 is a bottom view thereof;

FIG. 5 is a left side view thereof;

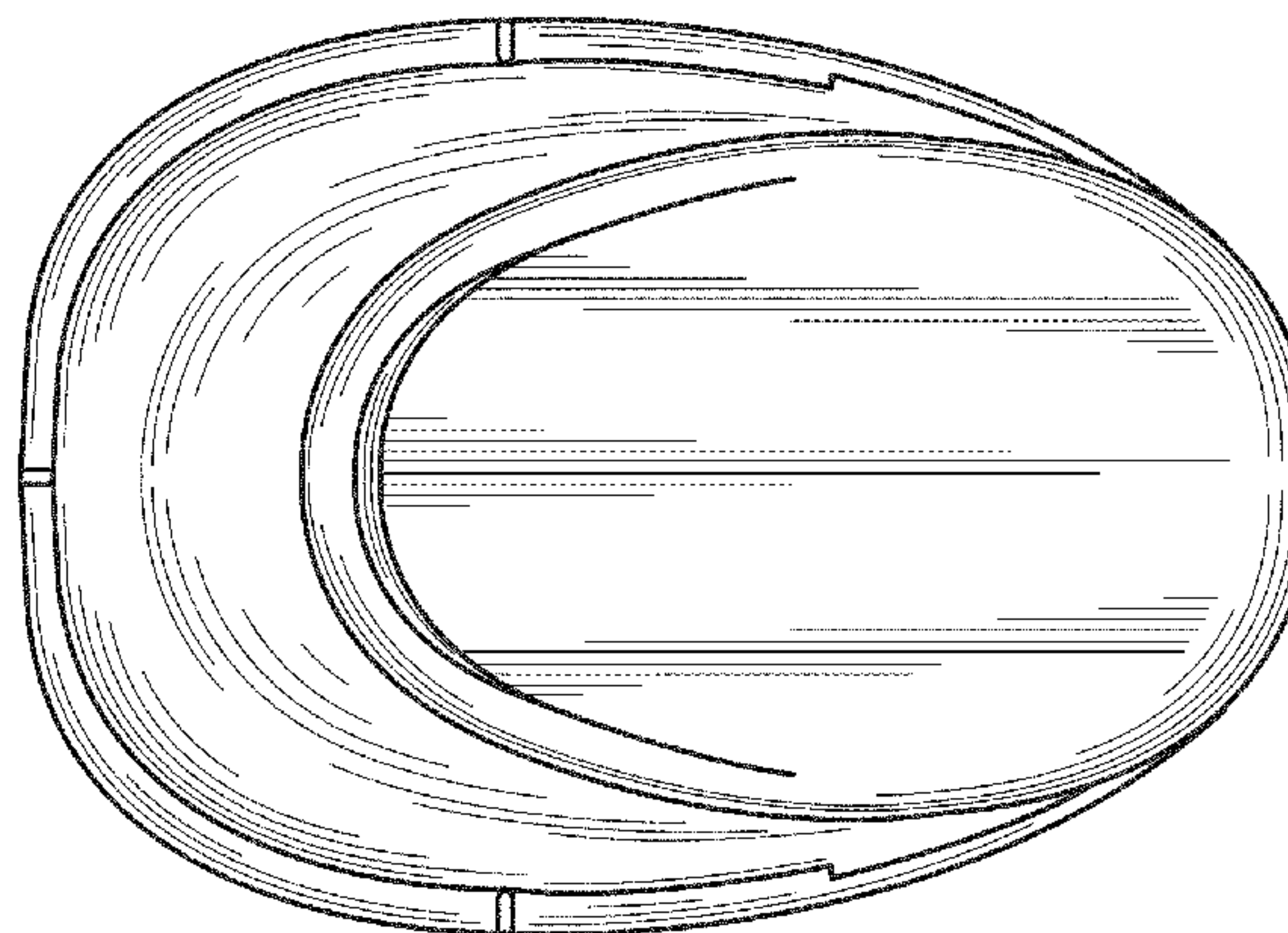
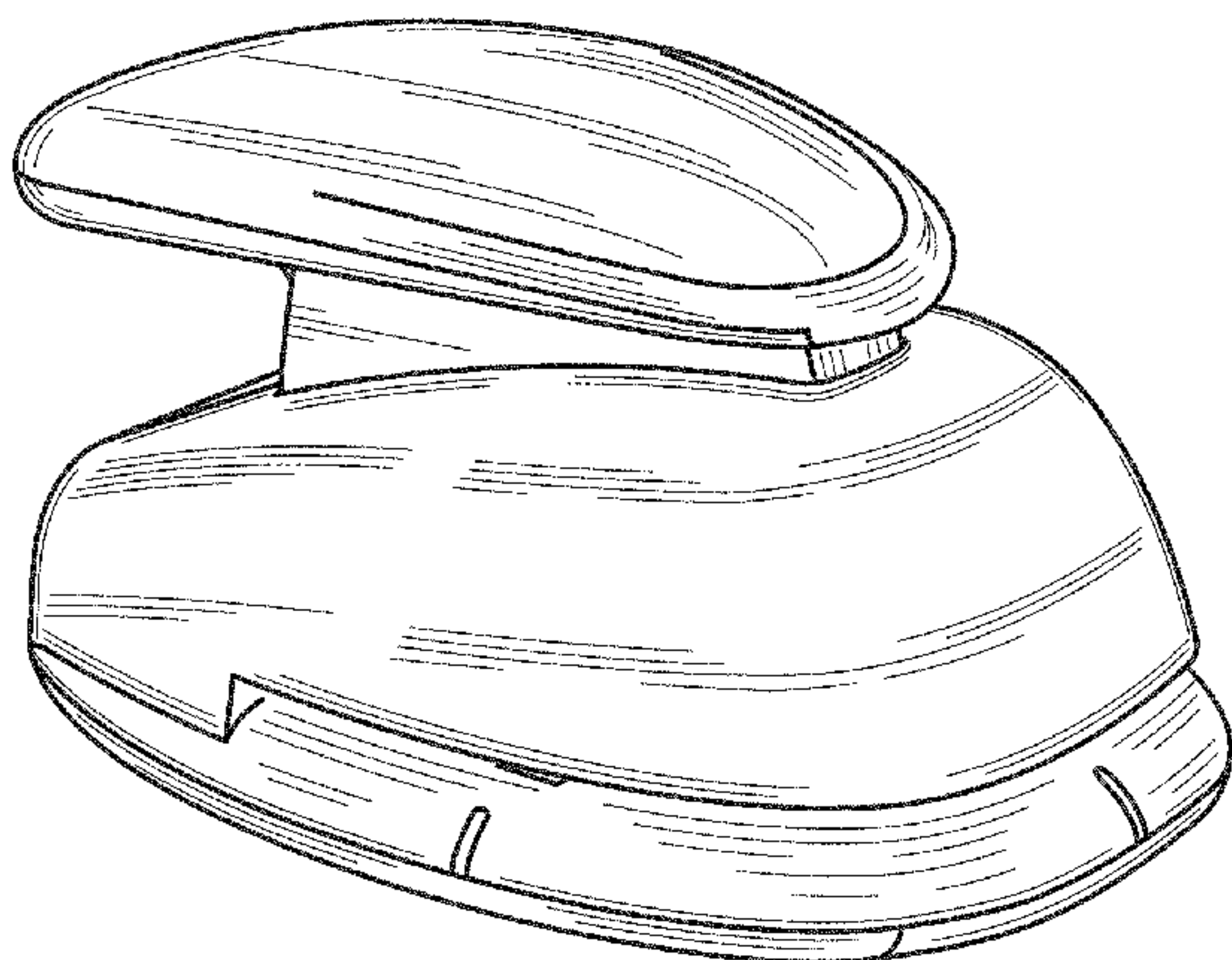
FIG. 6 is a right side view thereof;

FIG. 7 is a front view thereof; and,

FIG. 8 is a rear view thereof.

The broken lines showing features on the bottom of the punch in FIG. 4 illustrate features on the bottom that form no part of the claimed design.

**1 Claim, 4 Drawing Sheets**



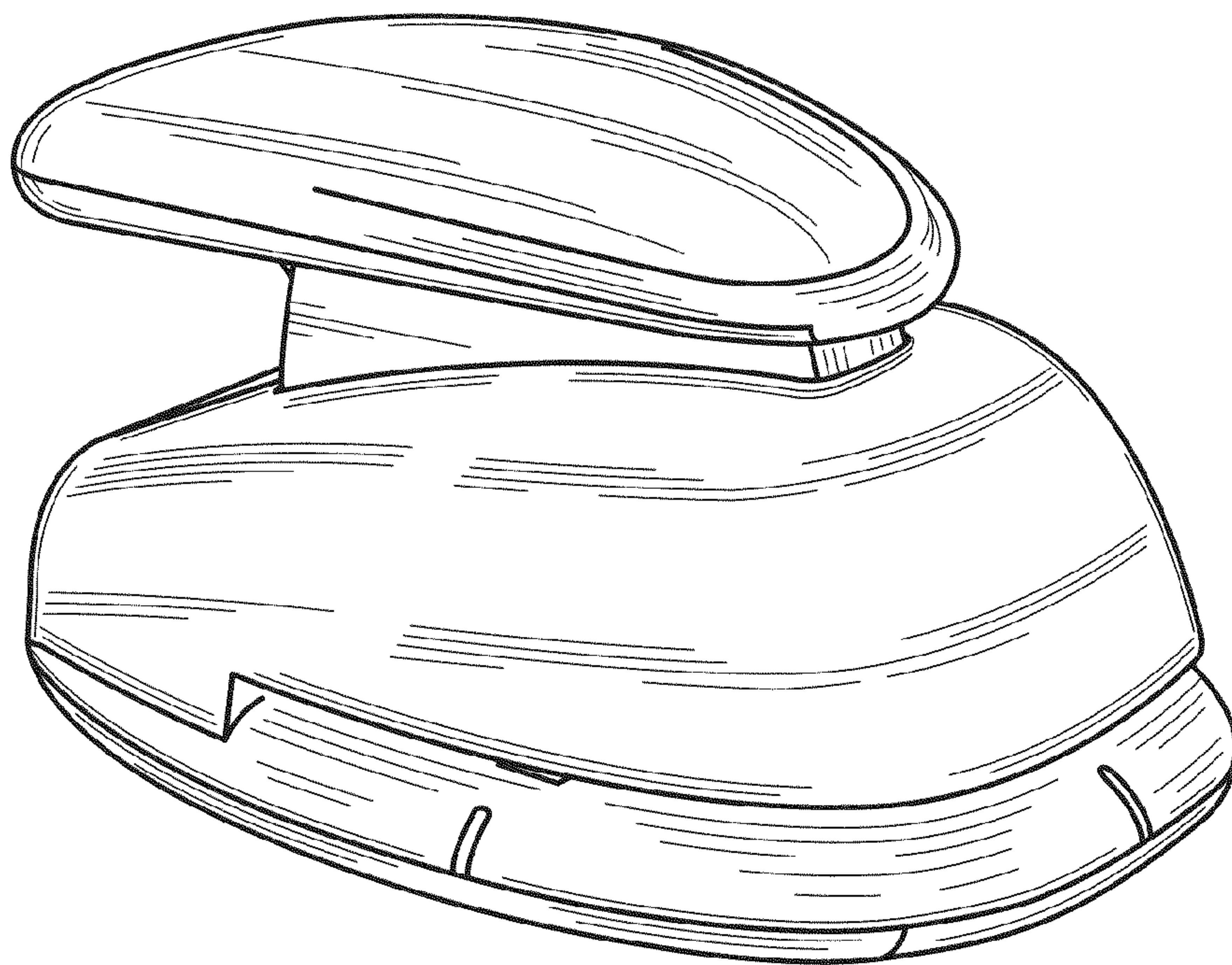


FIG. 1

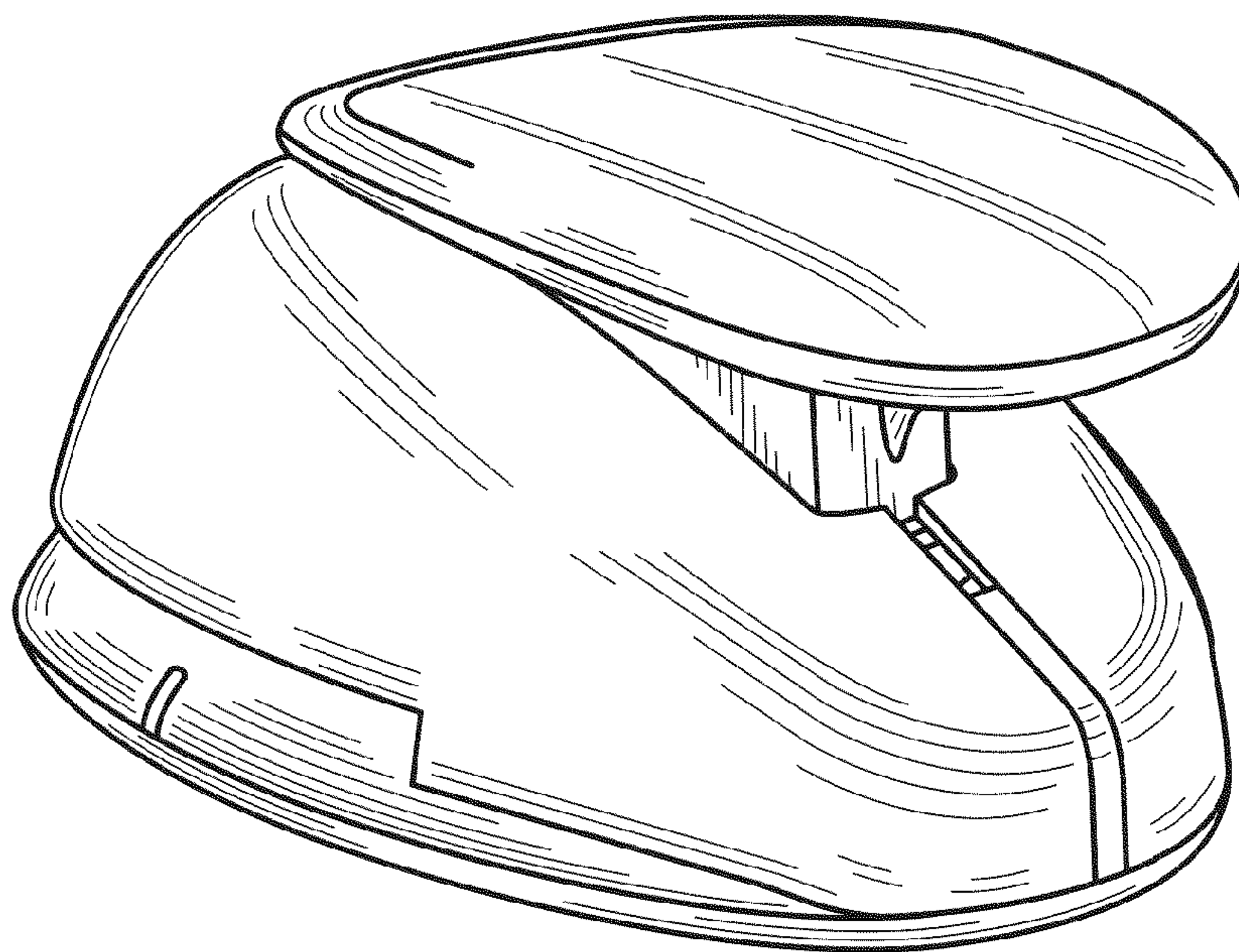


FIG. 2



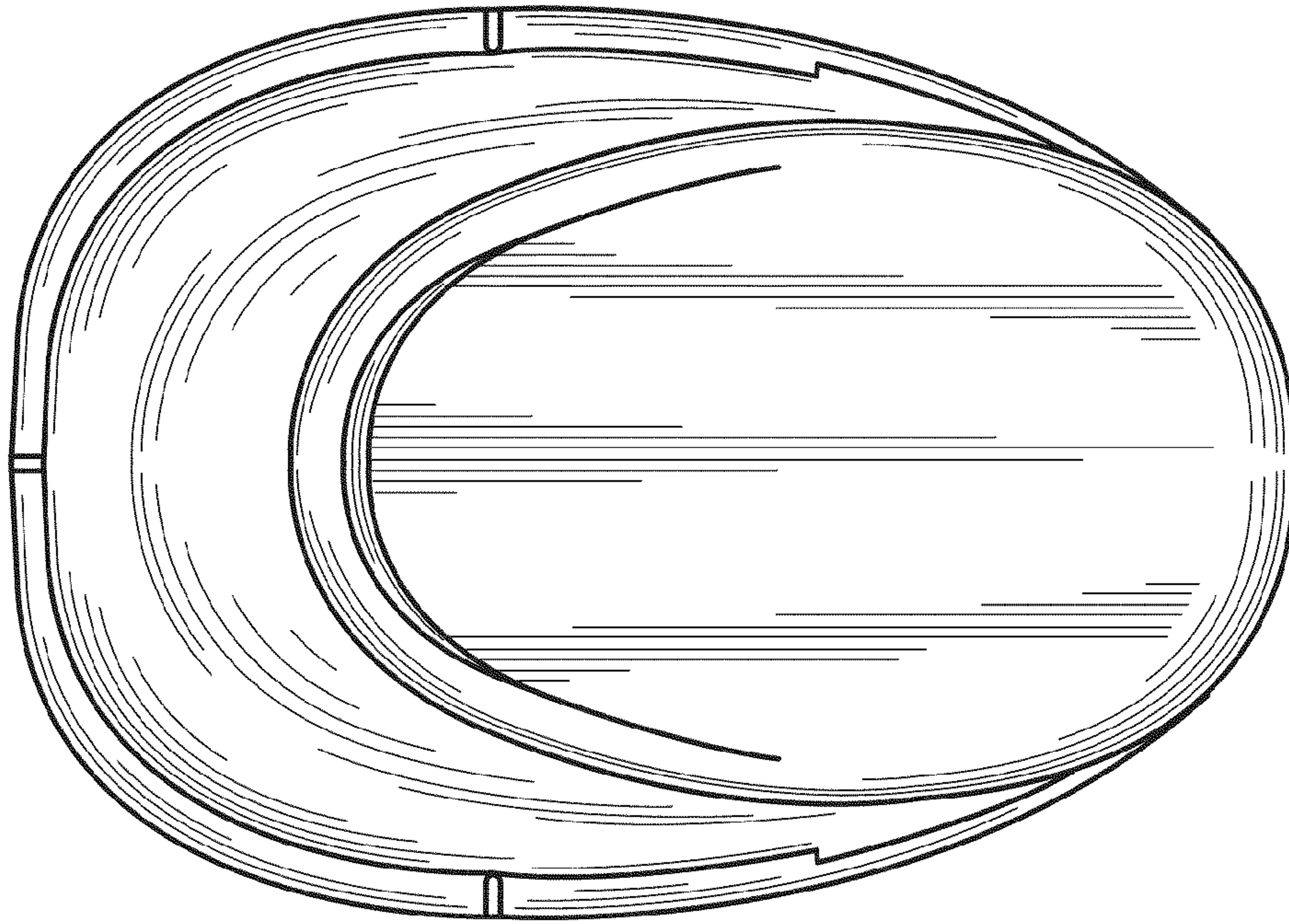


FIG. 3

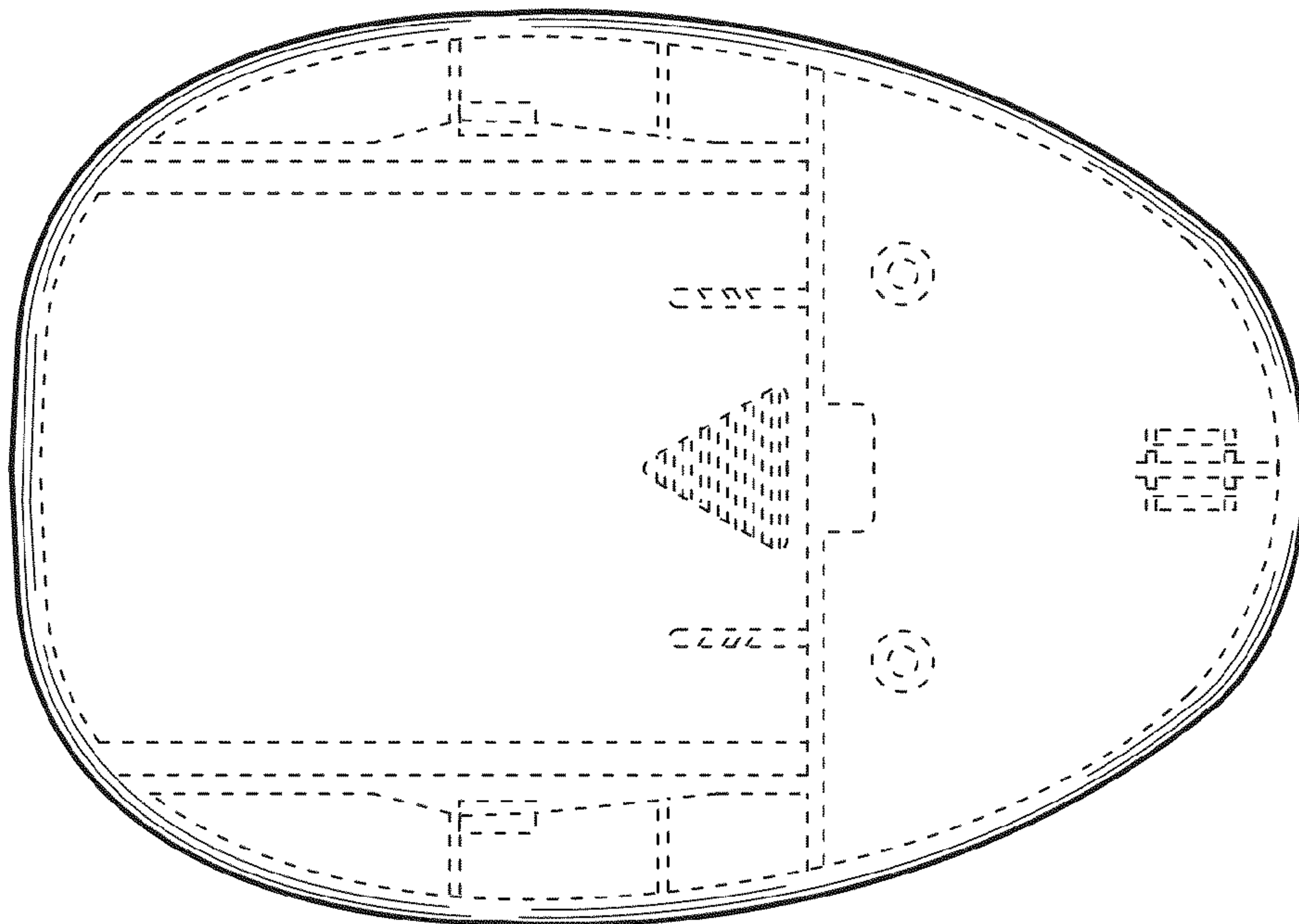


FIG. 4

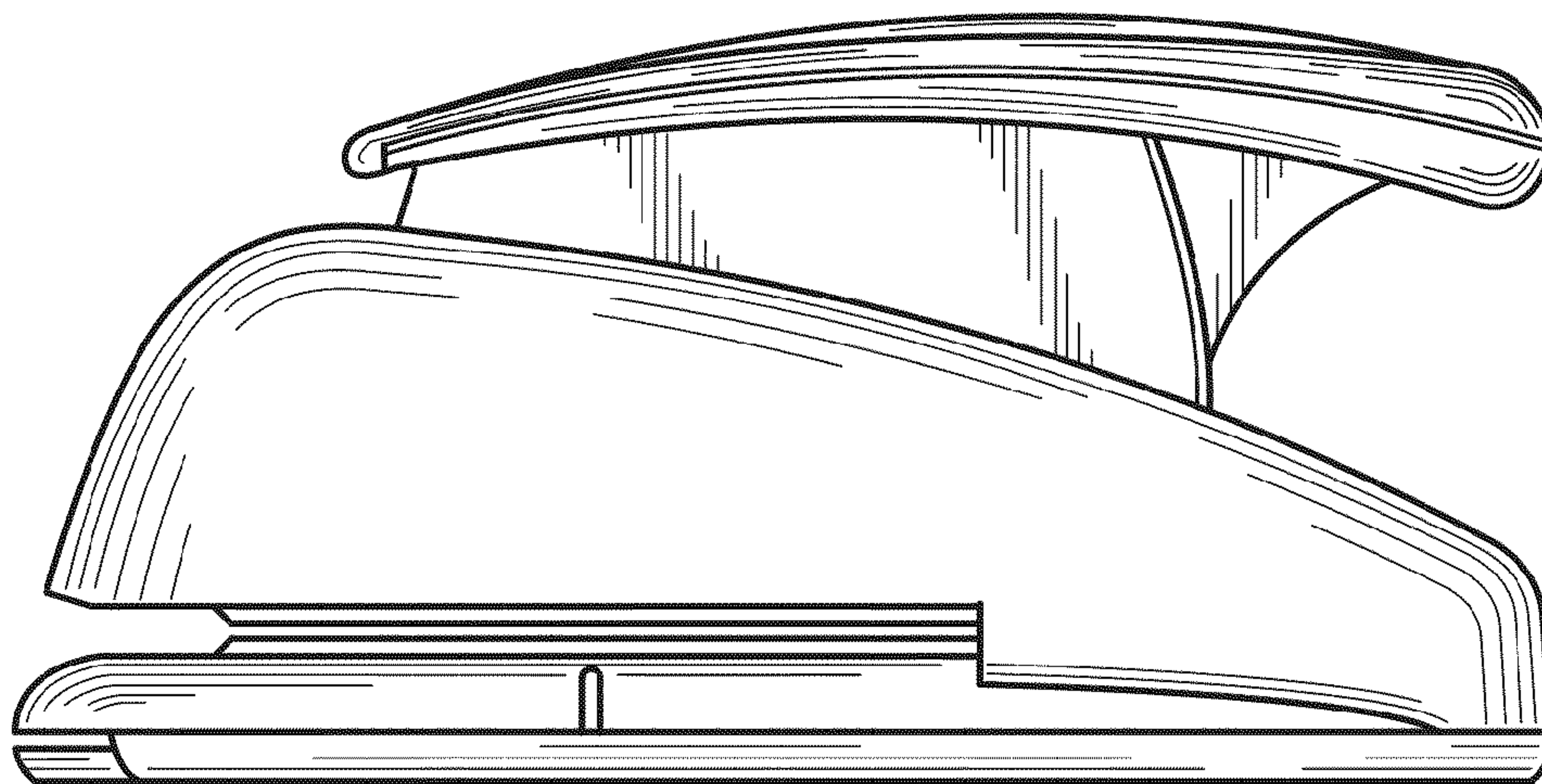


FIG. 5

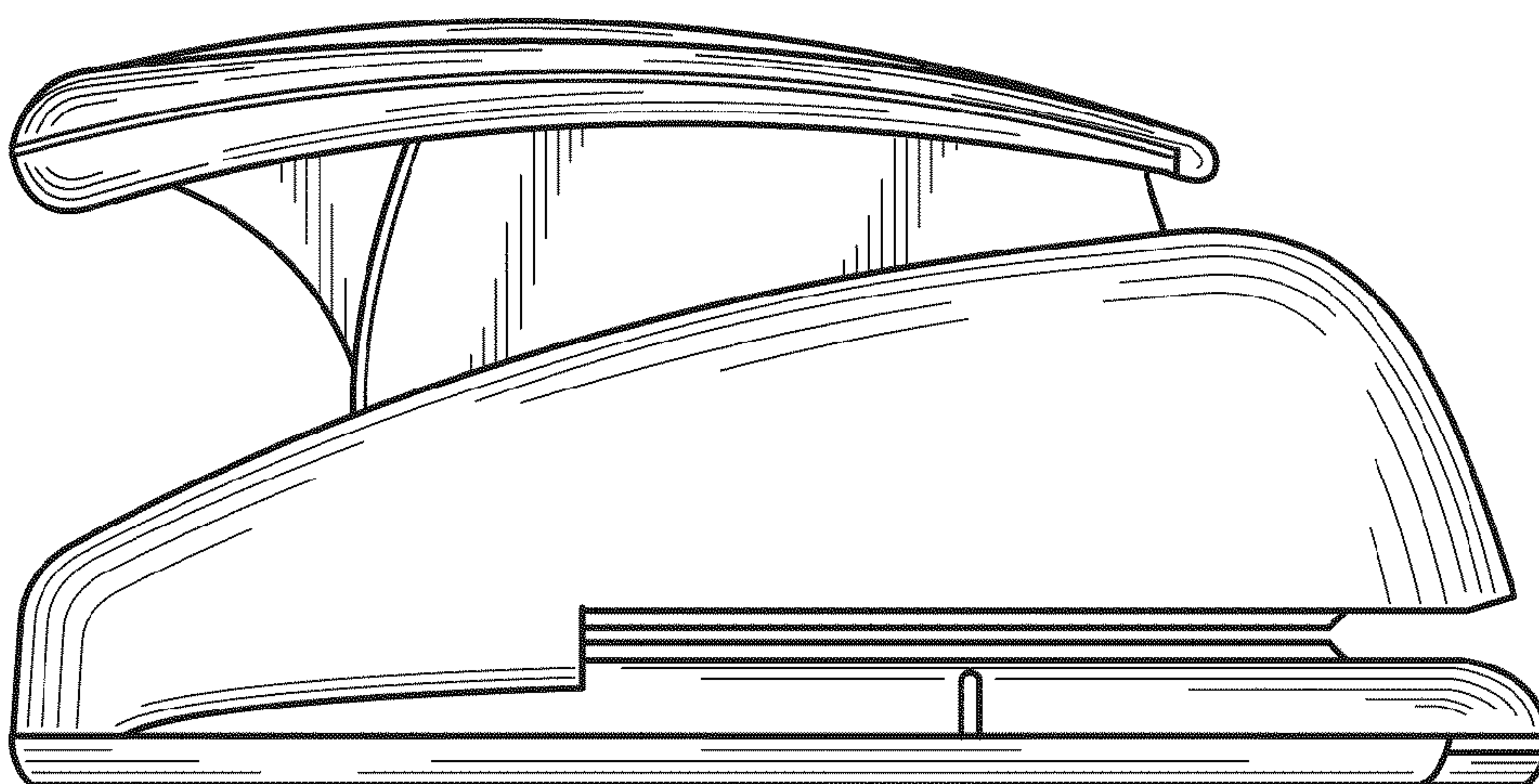


FIG. 6

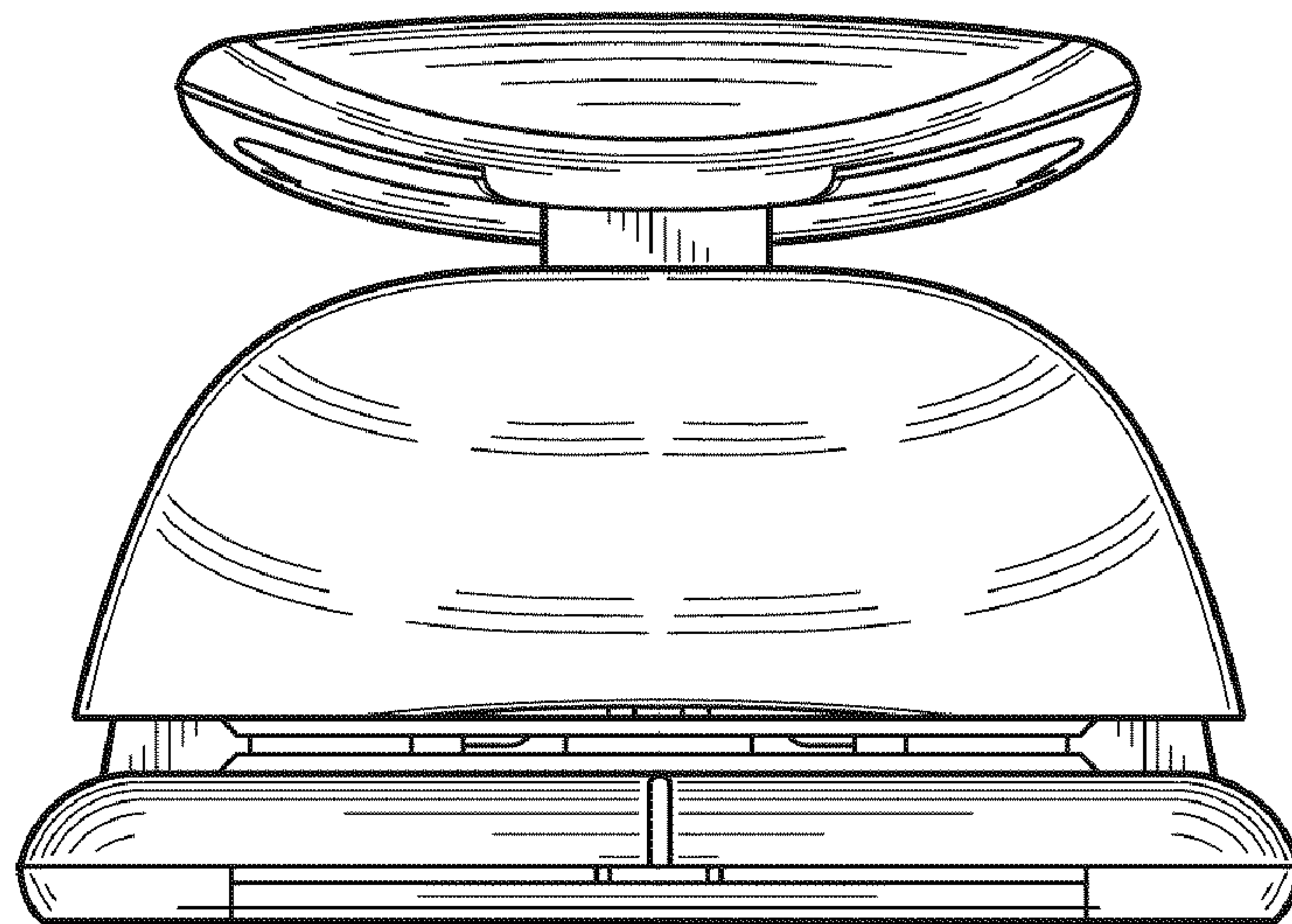


FIG. 7

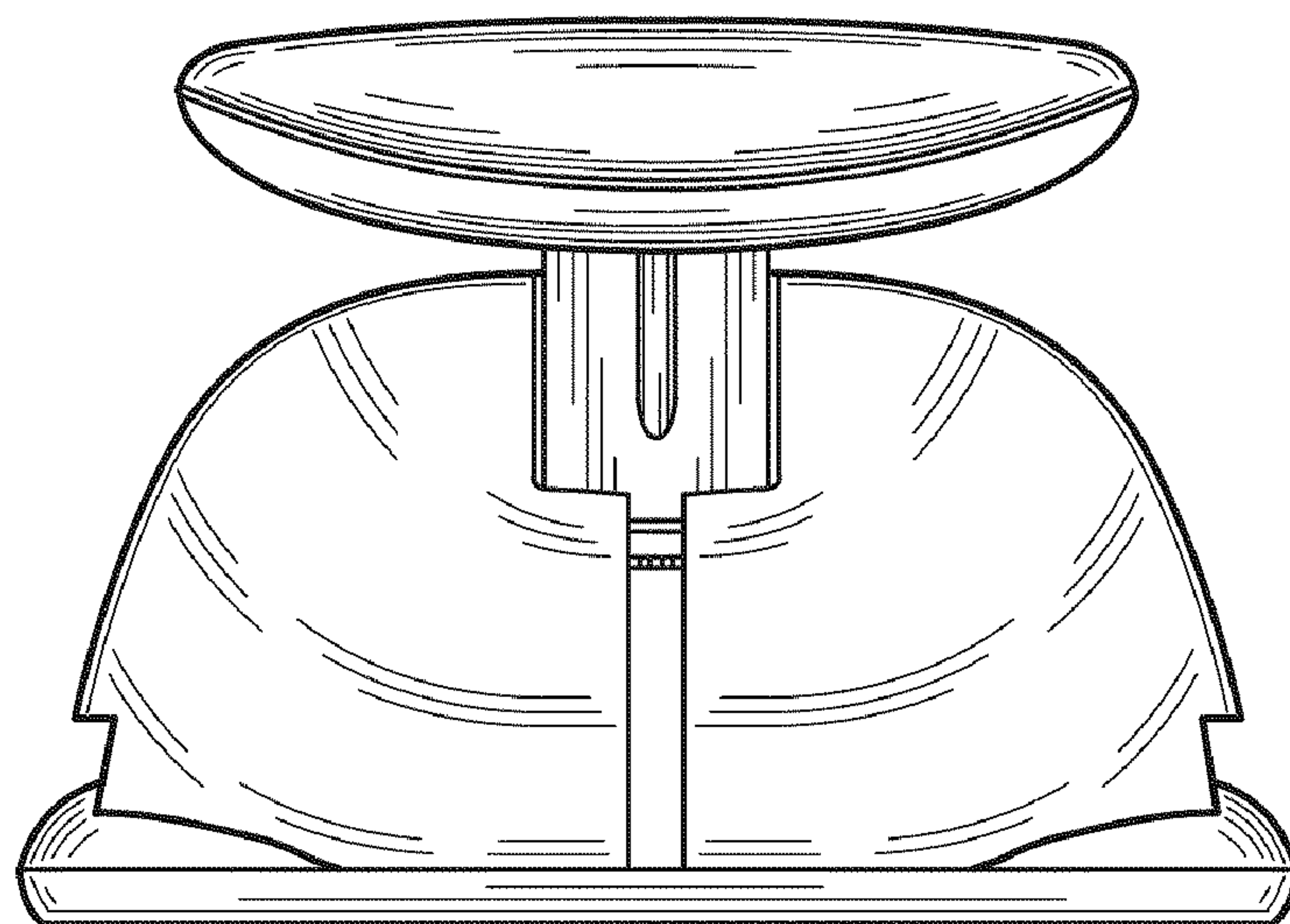


FIG. 8