



US00D652870S

(12) **United States Design Patent**
Wu

(10) **Patent No.:** **US D652,870 S**
(45) **Date of Patent:** **** Jan. 24, 2012**

(54) **DISPENSING UNIT FOR A THIN FILM DISPENSER**

(75) Inventor: **Chien-Lung Wu**, Chang Hua (TW)

(73) Assignee: **SDI Corporation**, Chang Hua (TW)

(**) Term: **14 Years**

(21) Appl. No.: **29/398,779**

(22) Filed: **Aug. 4, 2011**

(30) **Foreign Application Priority Data**

Mar. 11, 2011 (TW) 100301172

(51) **LOC (9) Cl.** **19-02**

(52) **U.S. Cl.** **D19/69**

(58) **Field of Classification Search** D19/66,
D19/67, 68, 69, 70; 156/523, 257, 540, 577;
206/411; 225/6, 25, 39, 77; 242/588, 588.1,
242/588.2, 588.3, 588.6, 5

See application file for complete search history.

(56) **References Cited**

U.S. PATENT DOCUMENTS

D421,059 S * 2/2000 Shimizu D19/69
D438,251 S * 2/2001 Katami D19/69
D451,960 S * 12/2001 Shimizu D19/69
D456,450 S * 4/2002 Kimura D19/69
D476,368 S * 6/2003 Suzuki D19/69

D476,369 S * 6/2003 Suzuki D19/69
D476,687 S * 7/2003 Katami D19/69
D492,730 S * 7/2004 Suzuki D19/69
D506,508 S * 6/2005 Shimizu et al. D19/69
D555,201 S * 11/2007 Rushe et al. D19/69
D567,860 S * 4/2008 Rushe et al. D19/69
D577,384 S * 9/2008 Lin D19/69
D577,771 S * 9/2008 Kouda D19/69
D611,101 S * 3/2010 Narita et al. D19/69
D620,527 S * 7/2010 Suzuki D19/69

* cited by examiner

Primary Examiner — Austin Murphy

(74) *Attorney, Agent, or Firm* — The Weintraub Group, P.L.C.

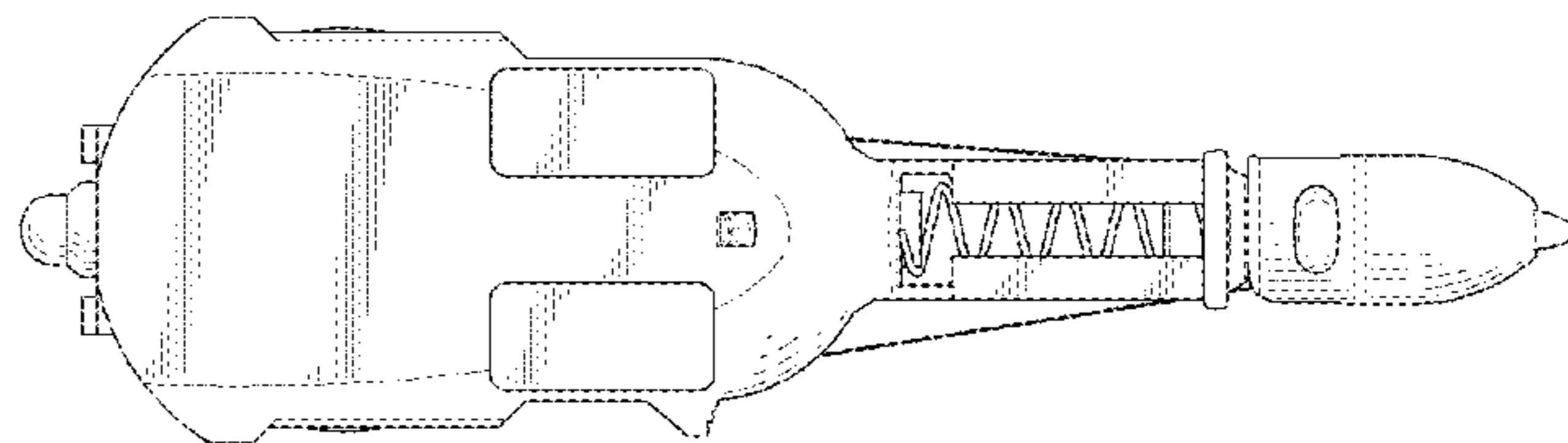
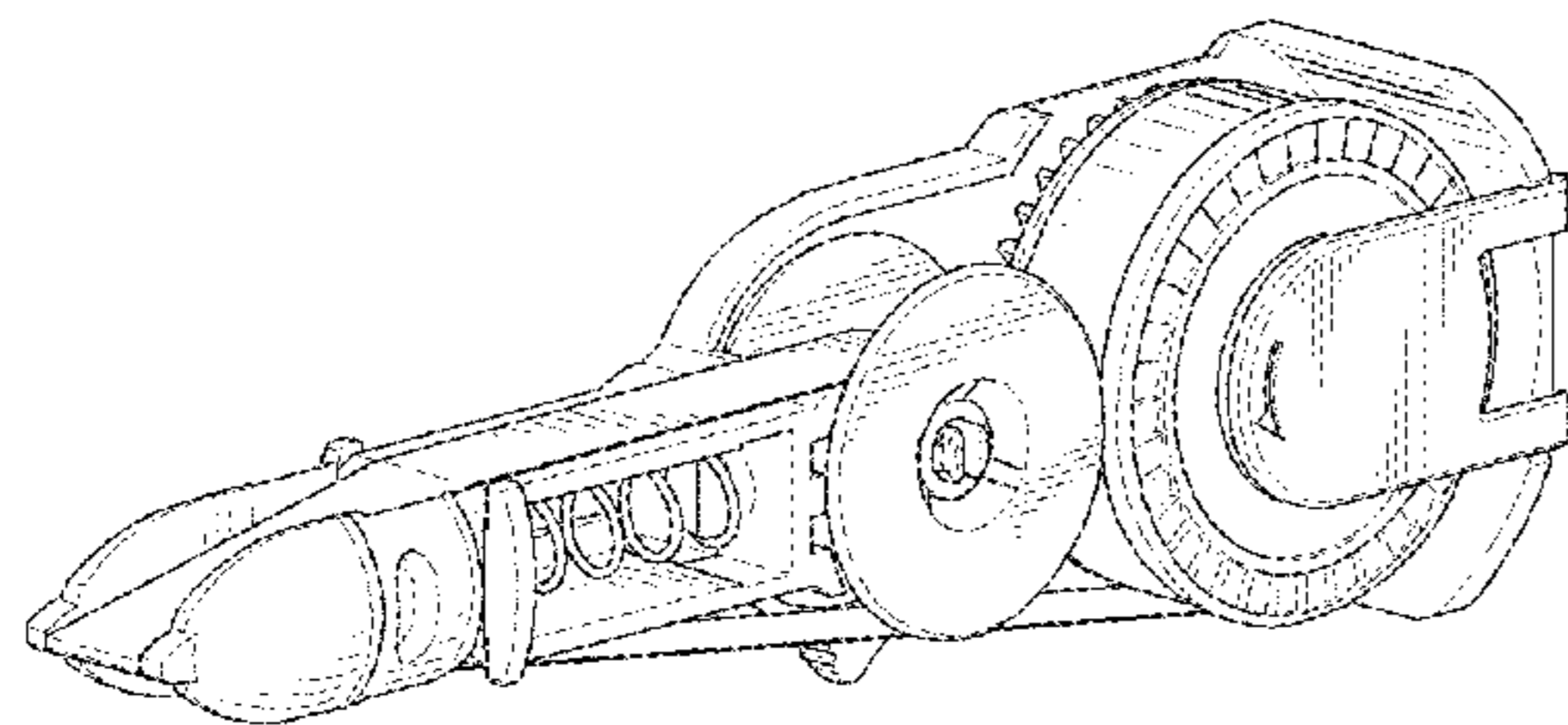
(57) **CLAIM**

The ornamental design for a dispensing unit for a thin film dispenser, as shown.

DESCRIPTION

FIG. 1 is a perspective view of a dispensing unit for a thin film dispenser, showing my new design;
FIG. 2 is a front view thereof;
FIG. 3 is a rear view thereof;
FIG. 4 is a left side view thereof;
FIG. 5 is a right side view thereof;
FIG. 6 is a top view thereof; and,
FIG. 7 is a bottom view thereof.

1 Claim, 4 Drawing Sheets



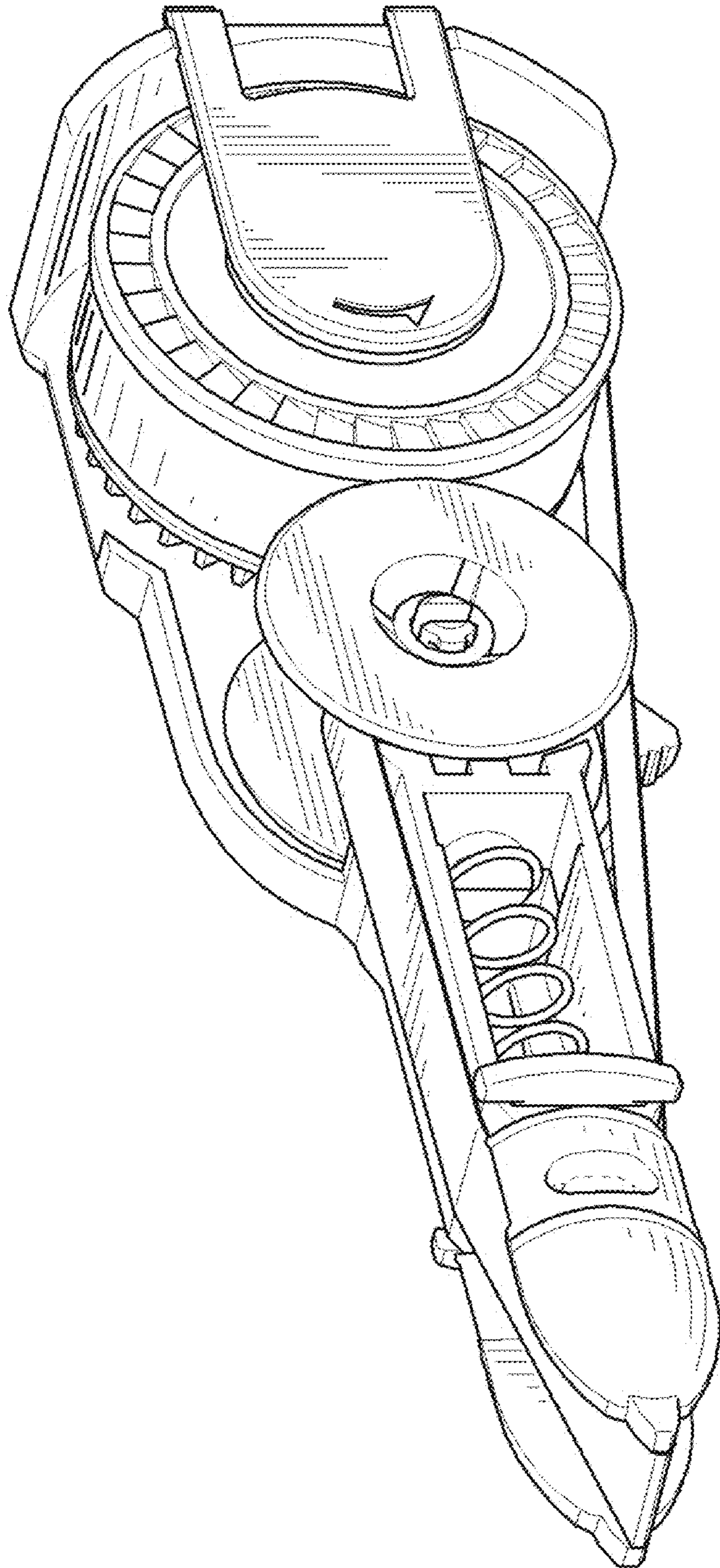


FIG.1

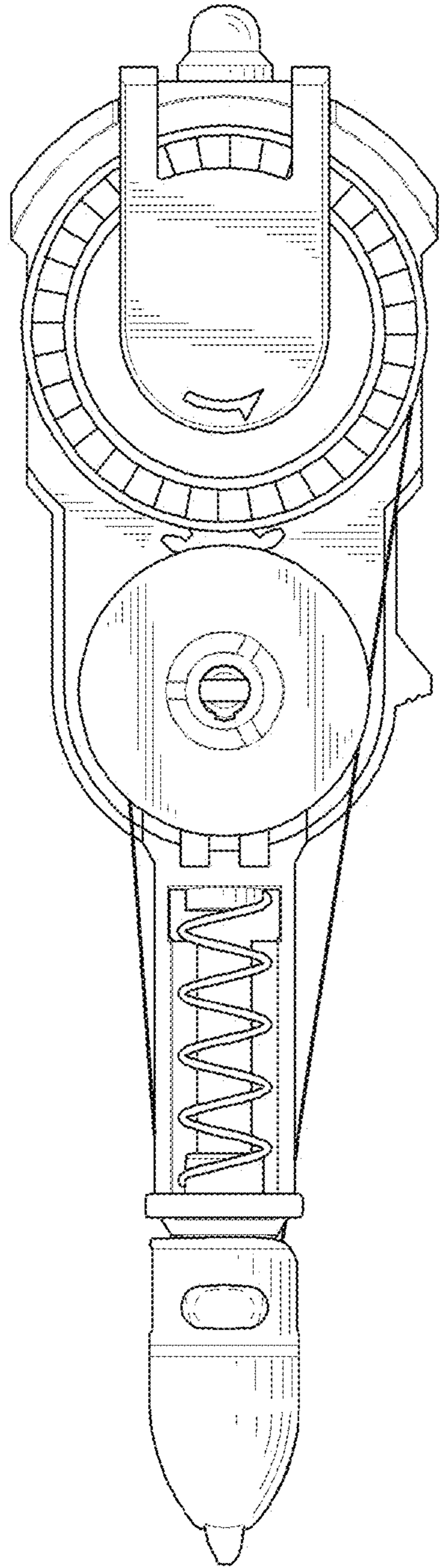


FIG. 2

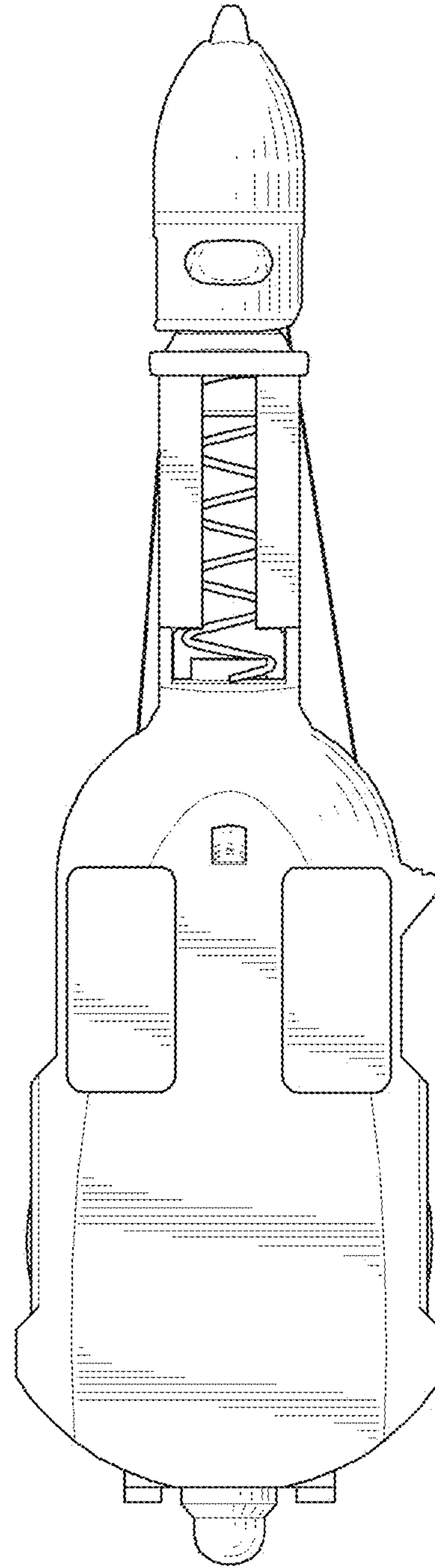


FIG. 3

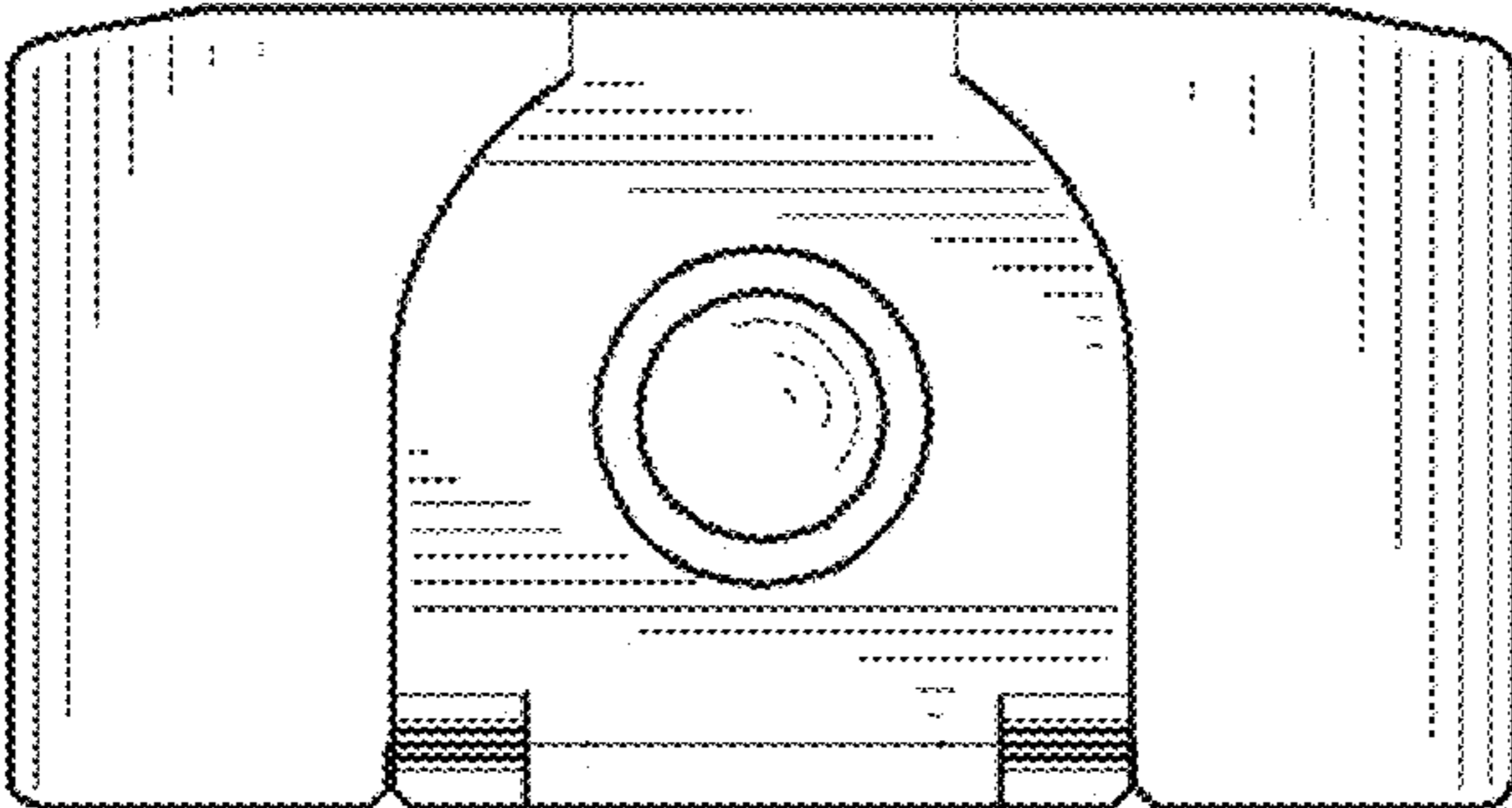


FIG. 5

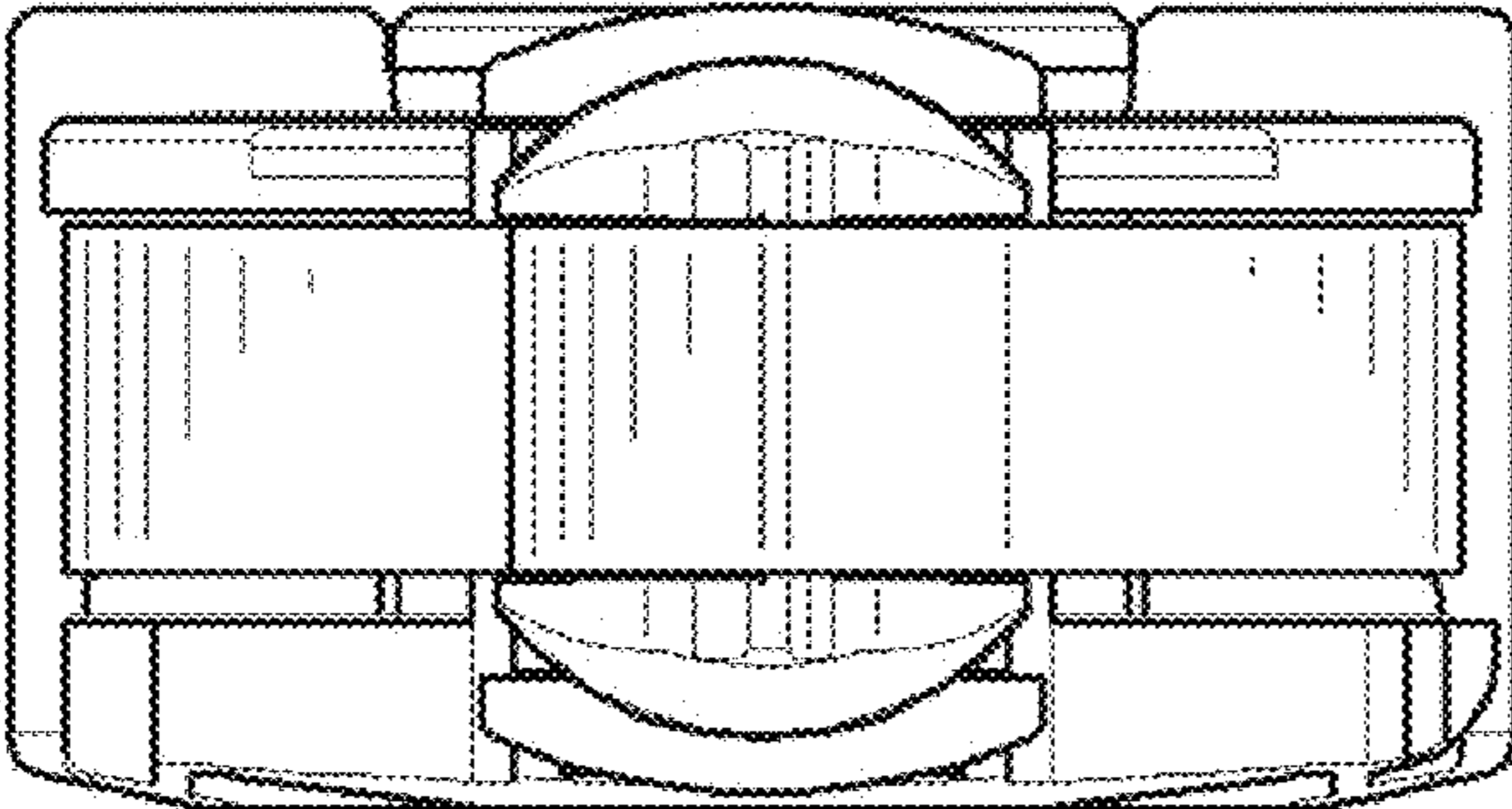


FIG. 4

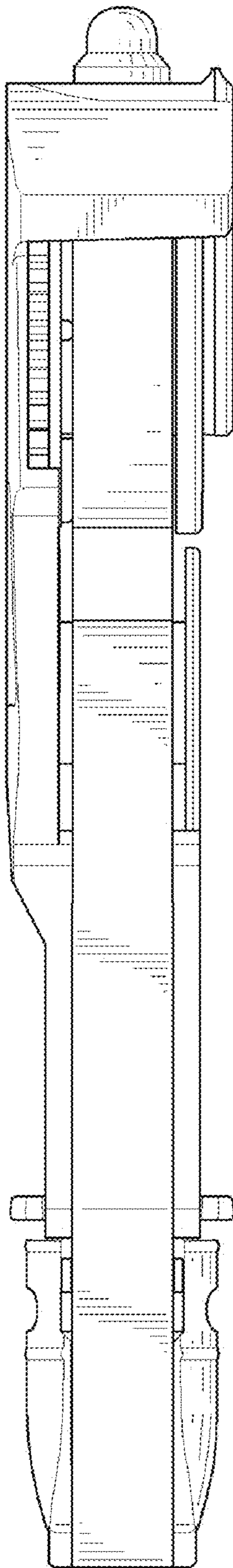


FIG. 6

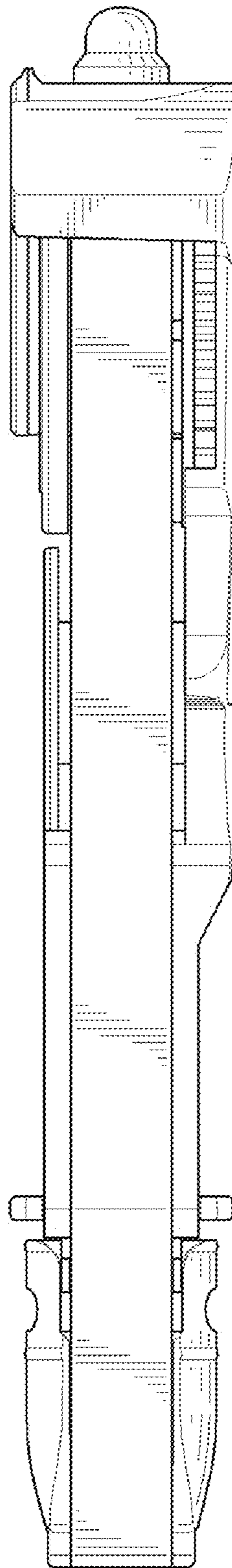


FIG. 7