



US00D652868S

(12) **United States Design Patent**
Hyde

(10) **Patent No.:** **US D652,868 S**
(45) **Date of Patent:** **** Jan. 24, 2012**

- (54) **STRAIGHT EDGE**
- (75) **Inventor:** **Brent K. Hyde, Ottawa (CA)**
- (73) **Assignee:** **Lee Valley Tools, Ltd., Ottawa, Ontario (CA)**
- (**) **Term:** **14 Years**
- (21) **Appl. No.:** **29/375,571**
- (22) **Filed:** **Sep. 24, 2010**
- (51) **LOC (9) Cl.** **19-06**
- (52) **U.S. Cl.** **D19/37; D10/71**
- (58) **Field of Classification Search** D10/61, D10/62, 71, 74; D19/37; 33/464, 483, 848, 33/485, 489, 492; 235/70 R
See application file for complete search history.

- D271,025 S * 10/1983 Li D18/2
- D273,094 S * 3/1984 Clausen et al. D10/71
- 4,531,302 A * 7/1985 Tighe 33/483
- D283,493 S * 4/1986 Li D10/2
- D285,780 S * 9/1986 Wright et al. D10/62
- 4,951,397 A * 8/1990 Durio 33/494
- D340,195 S * 10/1993 Shapiro D10/71
- D360,371 S * 7/1995 O'Hare et al. D10/62
- D430,811 S * 9/2000 DeVos D10/71
- D451,040 S * 11/2001 Szumer D10/71
- D493,735 S * 8/2004 Shapiro D10/71
- D554,548 S * 11/2007 Verdura et al. D10/71
- 2003/0208918 A1 * 11/2003 Burke 33/484
- 2006/0070252 A1 * 4/2006 Verdura et al. 33/494
- 2007/0011897 A1 * 1/2007 Verdura et al. 33/484

* cited by examiner

Primary Examiner — Elizabeth Albert

(74) *Attorney, Agent, or Firm* — Kilpatrick Townsend & Stockton LLP; John S. Pratt; Camilla C. Williams

(56) **References Cited**

U.S. PATENT DOCUMENTS

- 418,870 A * 1/1890 Hazlett 30/462
- 895,137 A * 8/1908 Alexander et al. 34/89.2
- 1,334,145 A * 3/1920 Eaton 33/483
- 1,728,419 A * 9/1929 Little 33/493
- 1,728,420 A * 9/1929 Little 33/492
- 2,267,497 A * 12/1941 Farrow 33/489
- 2,486,748 A * 11/1949 Koenig 235/70 R
- 2,522,908 A * 9/1950 Szabo 33/489
- D187,387 S * 3/1960 Harley et al. D10/71
- 2,998,915 A * 9/1961 Wickenberg 235/70 R
- D193,410 S * 8/1962 Reichenthal D10/62
- 3,635,396 A * 1/1972 Palfi 235/70 R
- 3,643,070 A * 2/1972 Dogigli 235/70 R
- D246,441 S * 11/1977 Bergendorff D10/71
- D267,552 S * 1/1983 Seely et al. D10/71

(57) **CLAIM**

The ornamental design for the straight edge, as shown and described.

DESCRIPTION

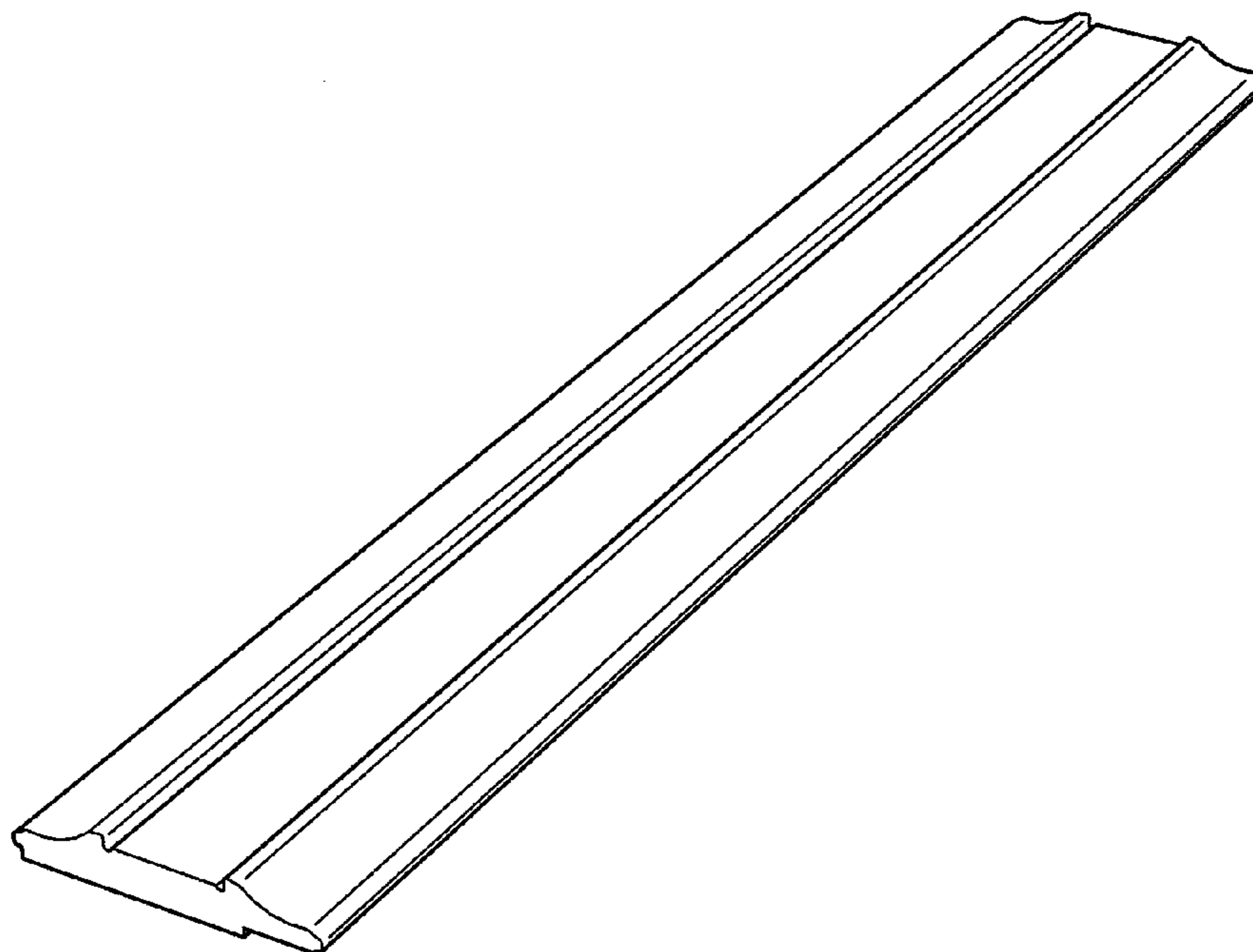
FIG. 1 is a perspective view of the straight edge of this invention.

FIG. 2 is a top plan view of the design for the straight edge shown in FIG. 1.

FIG. 3 is a side elevation view (the other side elevation view of which is identical) of the design for the straight edge shown in FIG. 1; and,

FIG. 4 is an end view of the design for the straight edge shown in FIG. 1, the other end of which is a mirror image.

1 Claim, 3 Drawing Sheets



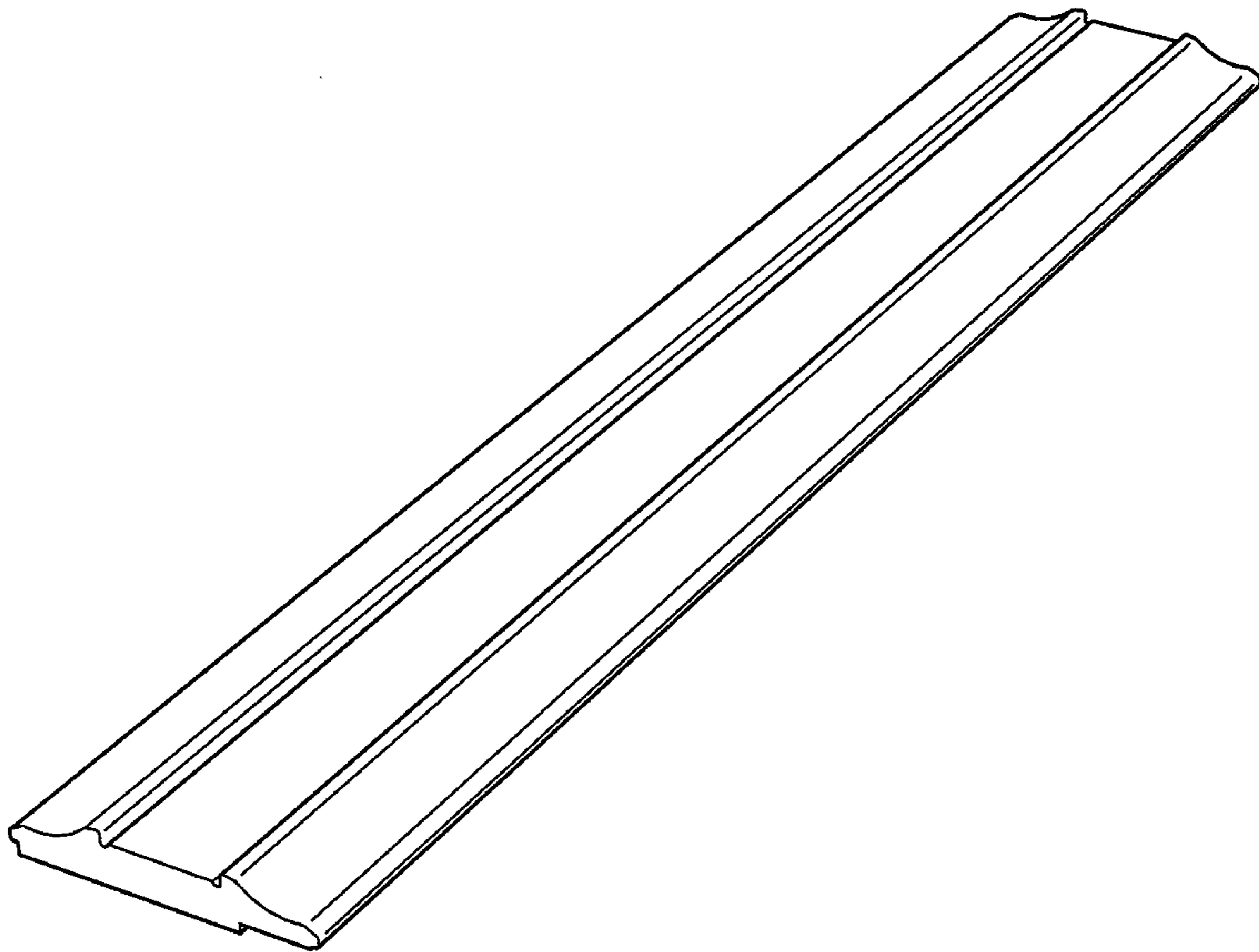


FIG. 1

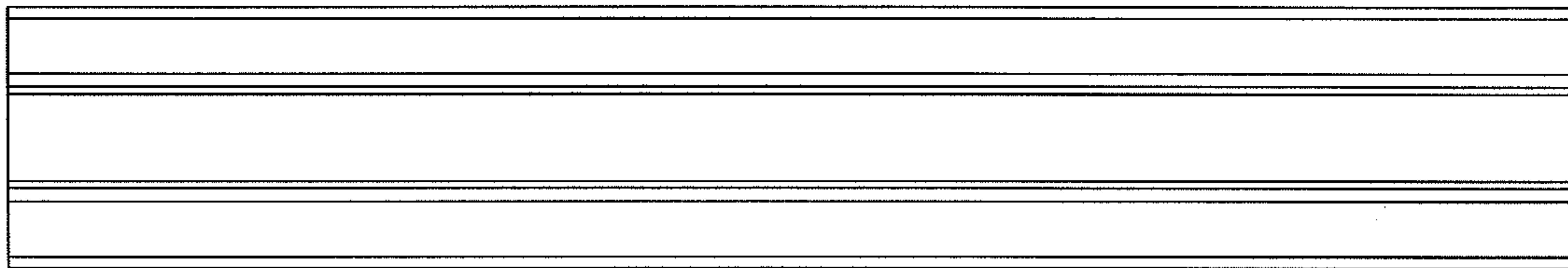


FIG. 2

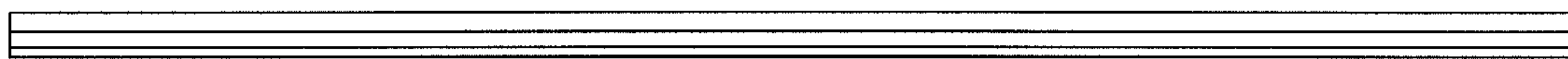


FIG. 3



FIG. 4