



US00D652862S

(12) **United States Design Patent**
Mori et al.

(10) **Patent No.:** **US D652,862 S**
(45) **Date of Patent:** **** Jan. 24, 2012**

(54) **TONER CARTRIDGE**

(75) Inventors: **Hiroki Mori**, Nagoya (JP); **Takeyuki Takagi**, Nagoya (JP)

(73) Assignee: **Brother Industries, Ltd.**, Nagoya (JP)

(**) Term: **14 Years**

(21) Appl. No.: **29/358,412**

(22) Filed: **Mar. 26, 2010**

(30) **Foreign Application Priority Data**

Mar. 3, 2010 (JP) 2010-005040

(51) **LOC (9) Cl.** **16-03**

(52) **U.S. Cl.** **D18/43**

(58) **Field of Classification Search** D14/471;
D18/12, 36, 40, 43, 44, 56; 222/DIG. 1;
347/197, 222; 399/24-28, 107-112, 119,
399/121, 122, 222-224

See application file for complete search history.

(56) **References Cited**

U.S. PATENT DOCUMENTS

D361,590 S	8/1995	Ishida	
D381,677 S	7/1997	Makino	
D397,140 S	* 8/1998	Oshida	D18/40
D401,615 S	* 11/1998	Goto et al.	D18/40
D422,304 S	4/2000	Suzuki et al.	
D442,216 S	5/2001	Kimura et al.	
D460,980 S	* 7/2002	Matsuzaki et al.	D18/40
D471,228 S	3/2003	Okabe et al.	
D506,776 S	6/2005	Kobayashi et al.	
D507,296 S	7/2005	Ishii et al.	
D507,595 S	7/2005	Kobayashi et al.	
D507,596 S	7/2005	Kobayashi et al.	
D507,597 S	7/2005	Kobayashi et al.	
D507,809 S	7/2005	Kobayashi et al.	
D508,945 S	8/2005	Ishii et al.	
D510,947 S	10/2005	Ishii et al.	
D511,542 S	11/2005	Ishii et al.	
D512,092 S	11/2005	Kobayashi et al.	
D512,454 S	12/2005	Ishii et al.	
D522,564 S	6/2006	Ishii et al.	

D528,148 S	9/2006	Ishii et al.	
D531,660 S	11/2006	Ishii et al.	
D531,661 S	11/2006	Ishii et al.	
D533,215 S	12/2006	Ishii et al.	
D533,583 S	12/2006	Kobayashi et al.	
D538,332 S	3/2007	Hoshiya et al.	
D550,764 S	9/2007	Ishikawa et al.	
D550,765 S	9/2007	Ishikawa et al.	
D550,766 S	9/2007	Takagi	
D550,767 S	9/2007	Kishi	
D555,193 S	* 11/2007	Choi	D18/43
D566,169 S	4/2008	Ishikawa et al.	
D584,345 S	* 1/2009	Choi et al.	D18/43
D586,847 S	* 2/2009	Han	D18/43
D590,992 S	4/2009	Ishii et al.	
D595,343 S	6/2009	Ishikawa et al.	
D595,344 S	6/2009	Ishikawa et al.	

(Continued)

OTHER PUBLICATIONS

U.S. Appl. No. 29/334,230, filed Mar. 23, 2009, Fumikazu Sato.
U.S. Appl. No. 29/334,223, filed Mar. 23, 2009, Fumikazu Sato.
U.S. Appl. No. 29/334,229, filed Mar. 23, 2009, Fumikazu Sato.

(Continued)

Primary Examiner — Garth Rademaker

(74) *Attorney, Agent, or Firm* — Oliff & Berridge, PLC

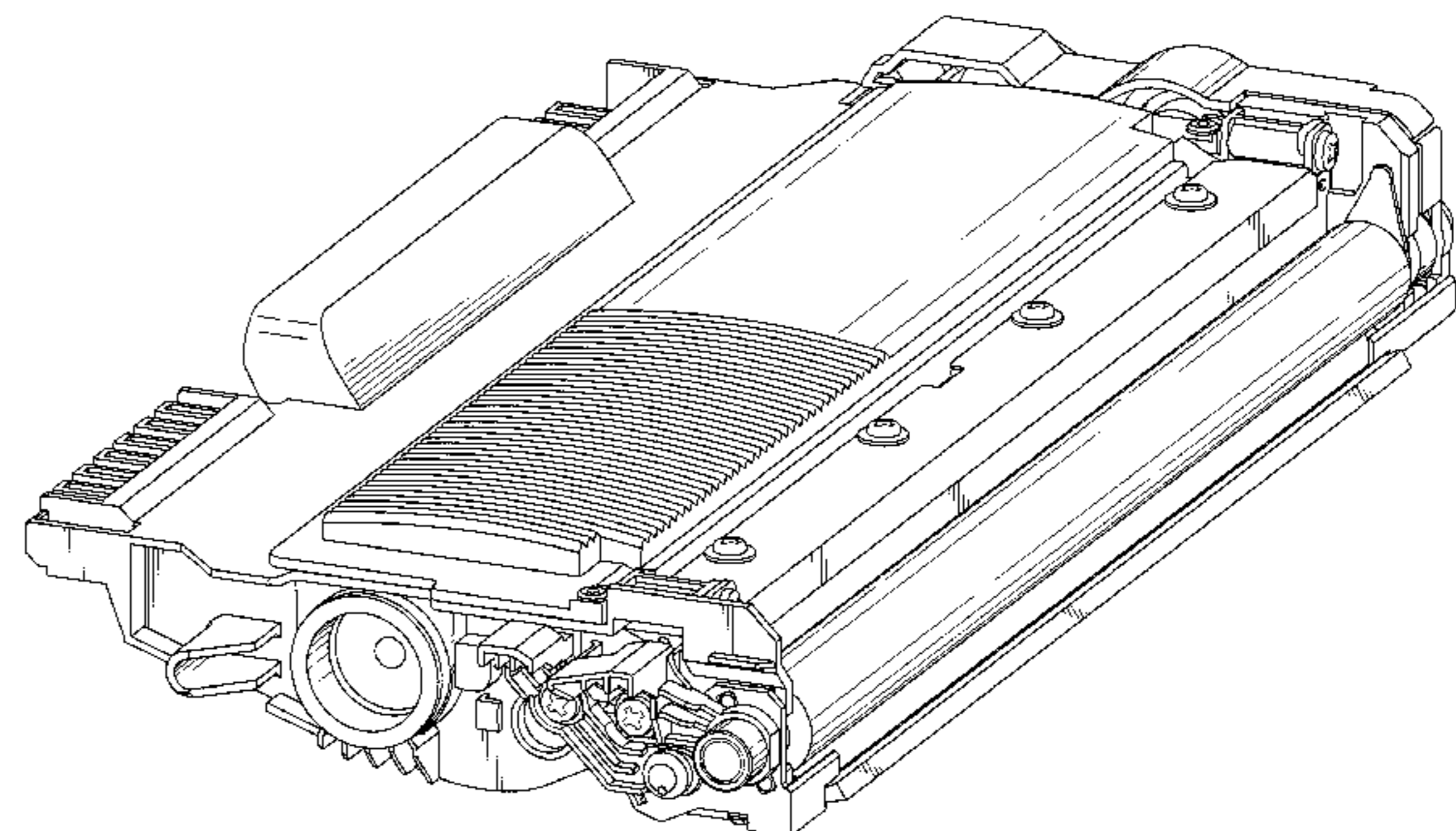
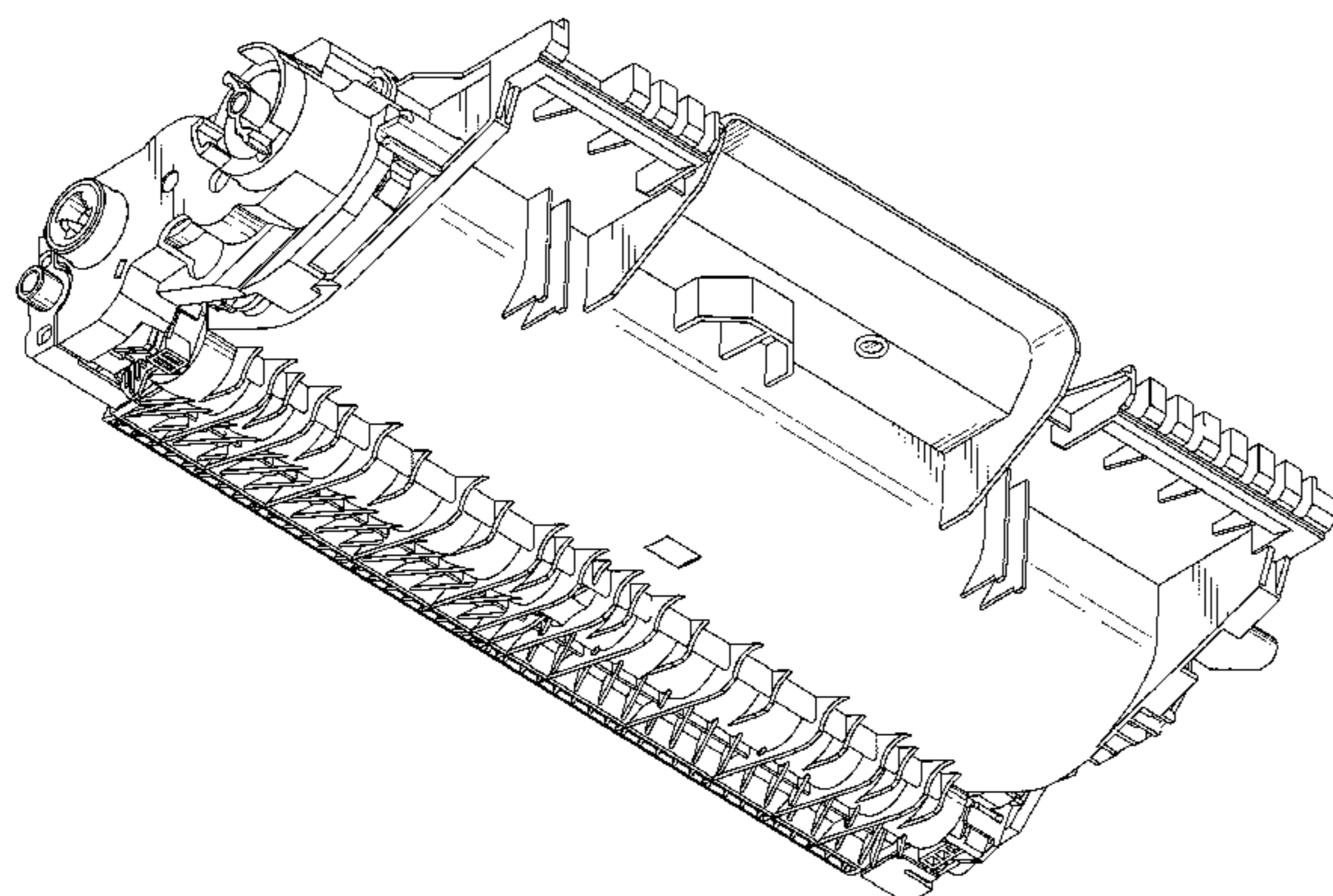
(57) **CLAIM**

The ornamental design for a toner cartridge, as shown and described.

DESCRIPTION

FIG. 1 is a perspective view of a toner cartridge;
FIG. 2 is a front view thereof;
FIG. 3 is a top view thereof;
FIG. 4 is a right-side view thereof;
FIG. 5 is a left-side view thereof;
FIG. 6 is a rear view thereof;
FIG. 7 is a bottom view thereof; and,
FIG. 8 is another perspective view thereof.
The broken lines depict environmental subject matter only and form no part of the claimed design.

1 Claim, 7 Drawing Sheets



US D652,862 S

Page 2

U.S. PATENT DOCUMENTS

D601,183 S 9/2009 Ishikawa et al.
D622,308 S * 8/2010 Kubota et al. D18/43
D622,309 S * 8/2010 Kubota et al. D18/43
2010/0080610 A1 * 4/2010 Yoshizumi 399/111

OTHER PUBLICATIONS

U.S. Appl. No. 29/334,211, filed Mar. 23, 2009, Fumikazu Sato.
U.S. Appl. No. 29/334,216, filed Mar. 23, 2009, Fumikazu Sato.
* cited by examiner

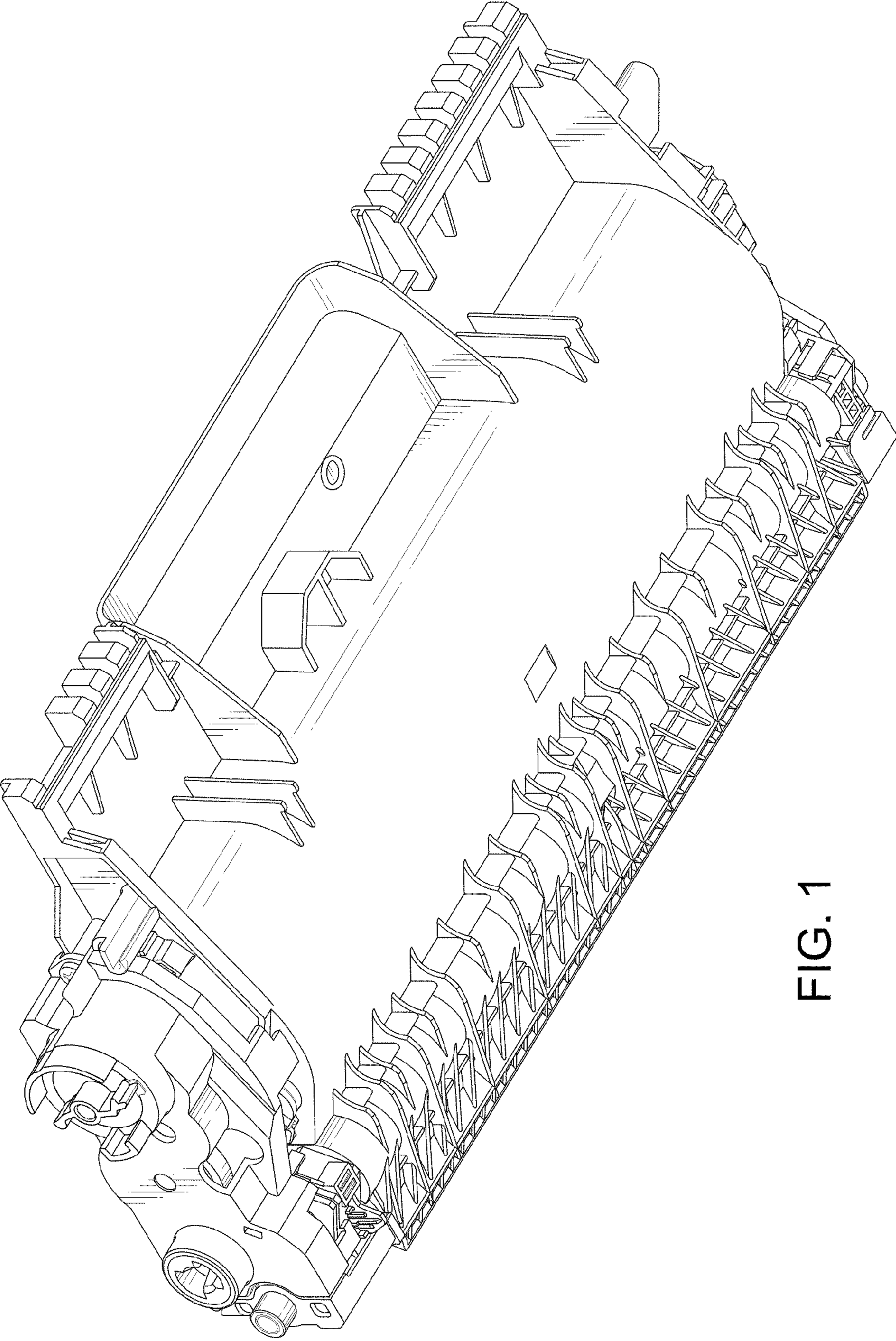


FIG. 1

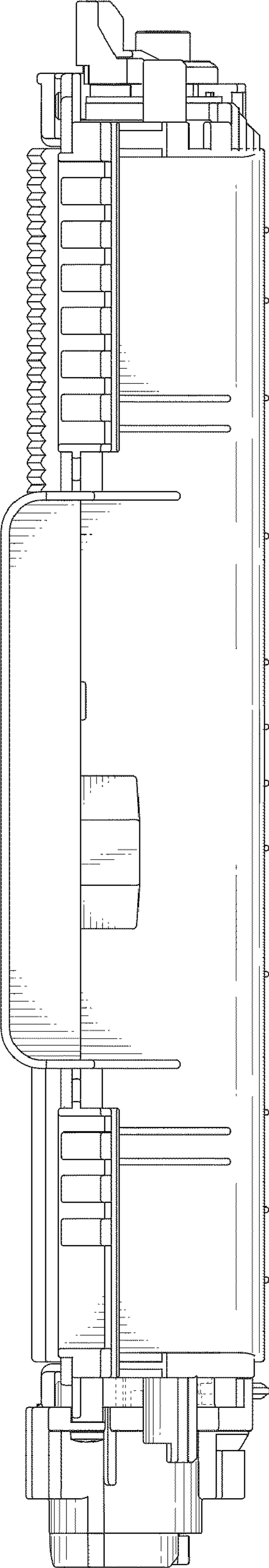


FIG. 2

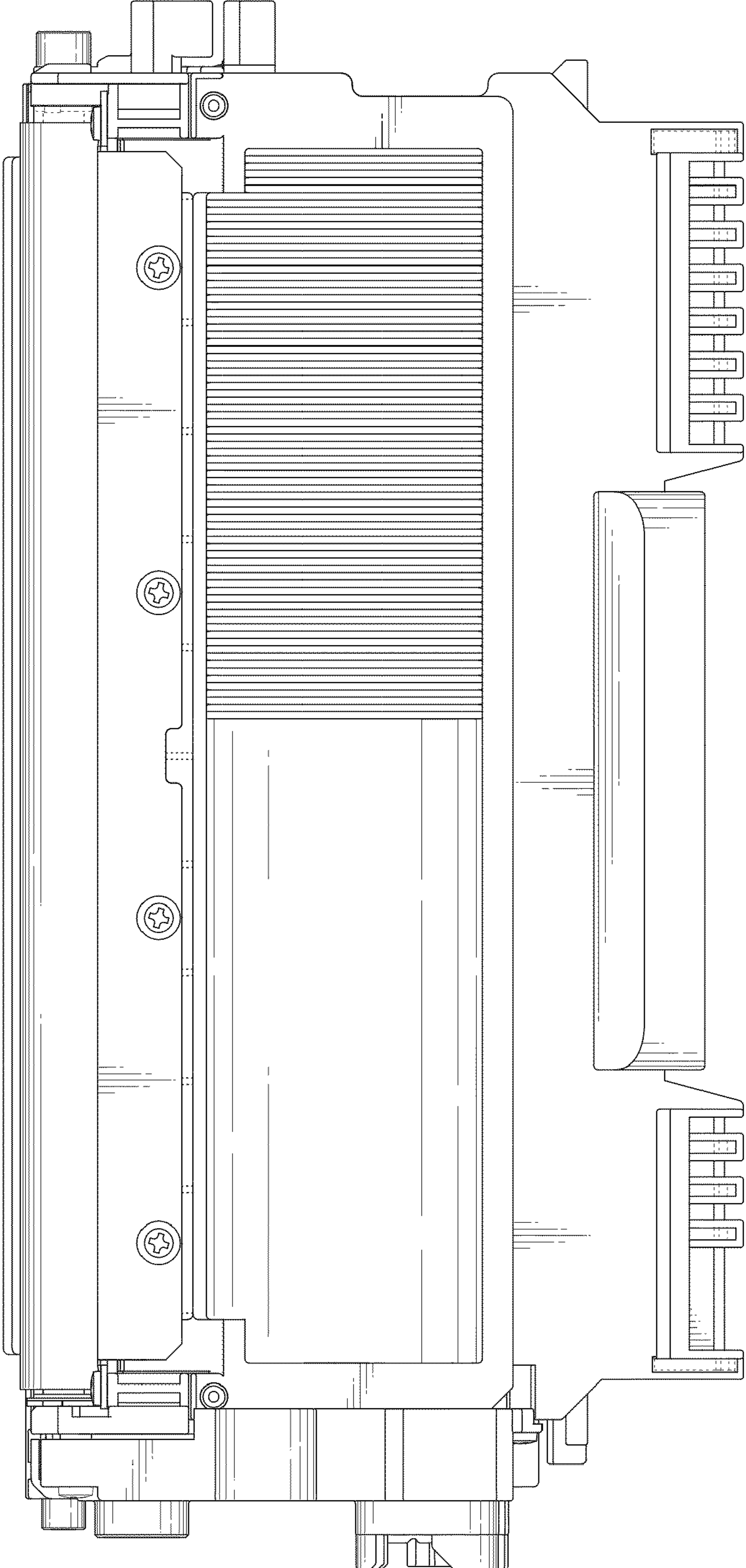


FIG. 3

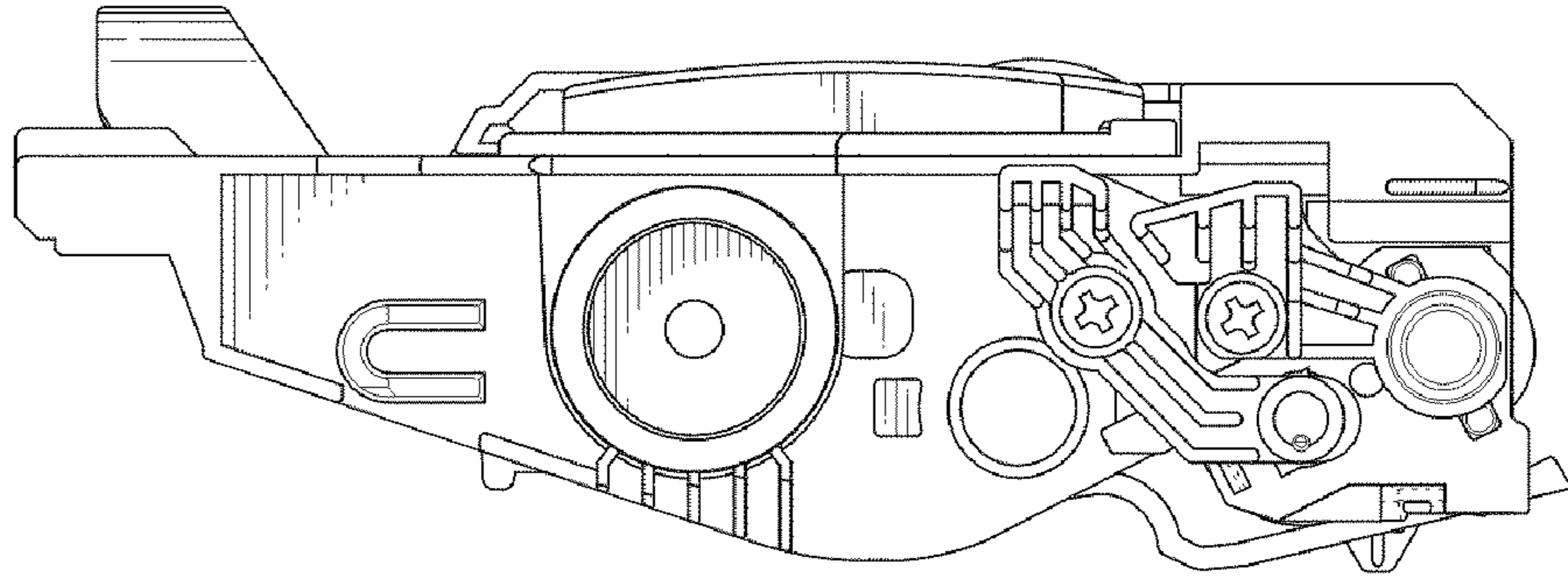


FIG. 4

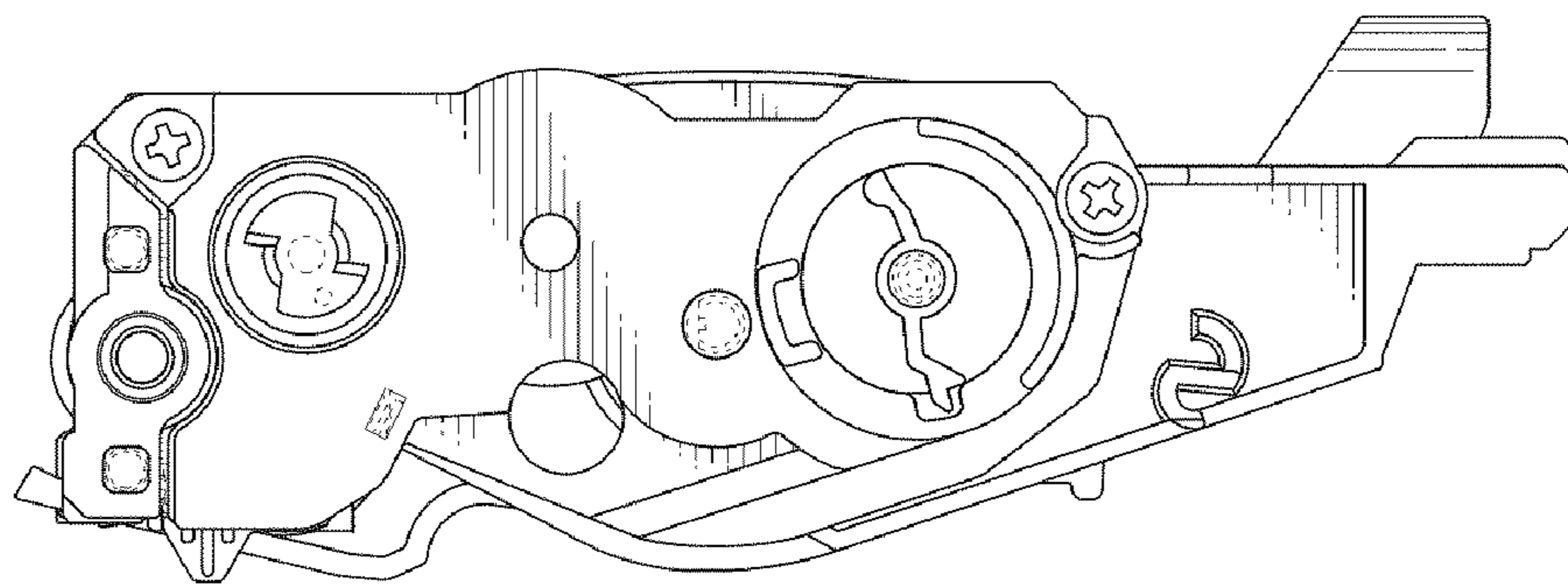


FIG. 5

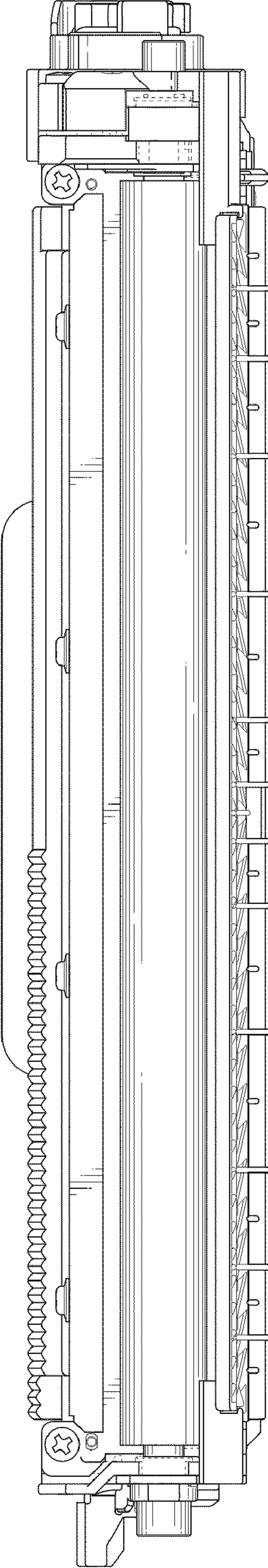


FIG. 6

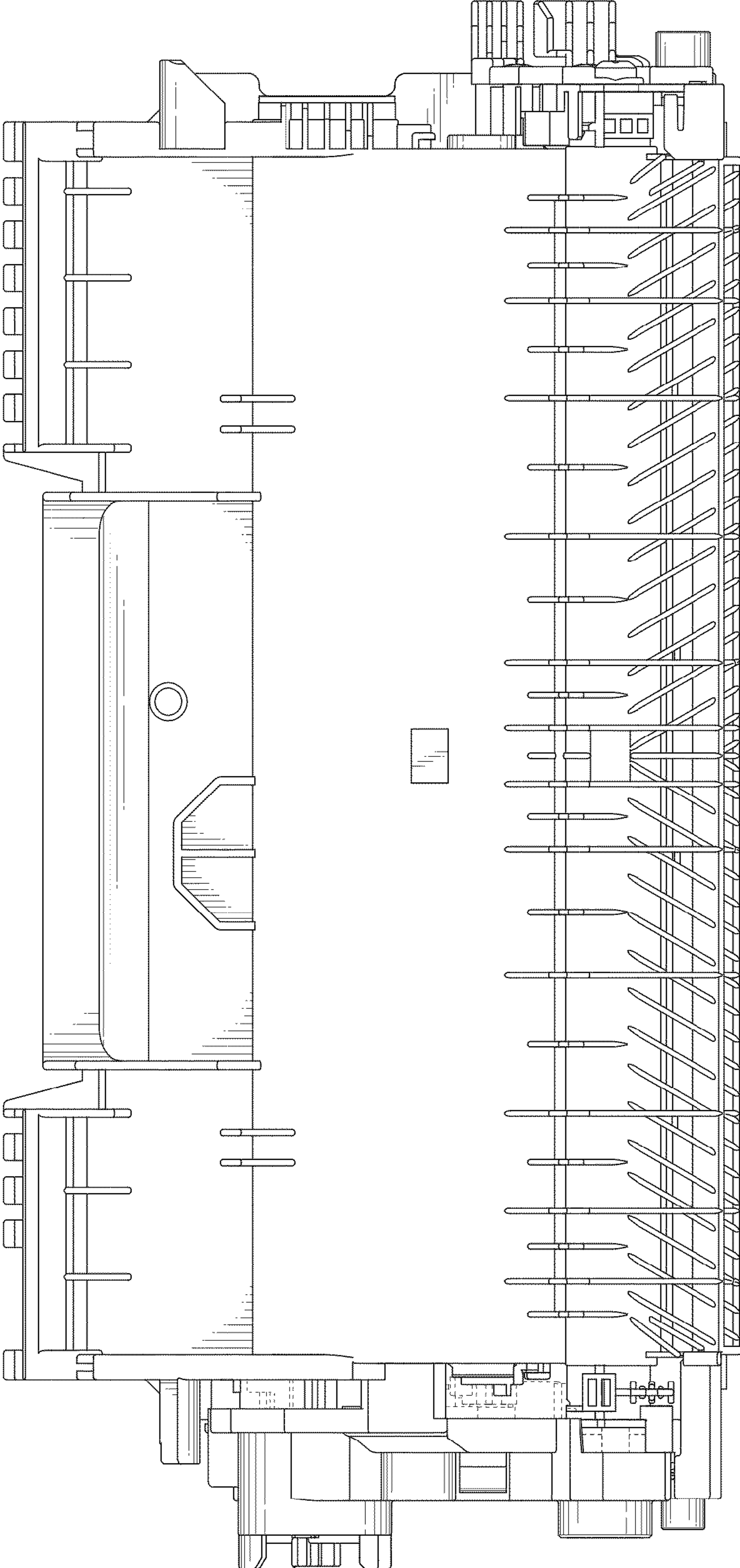


FIG. 7

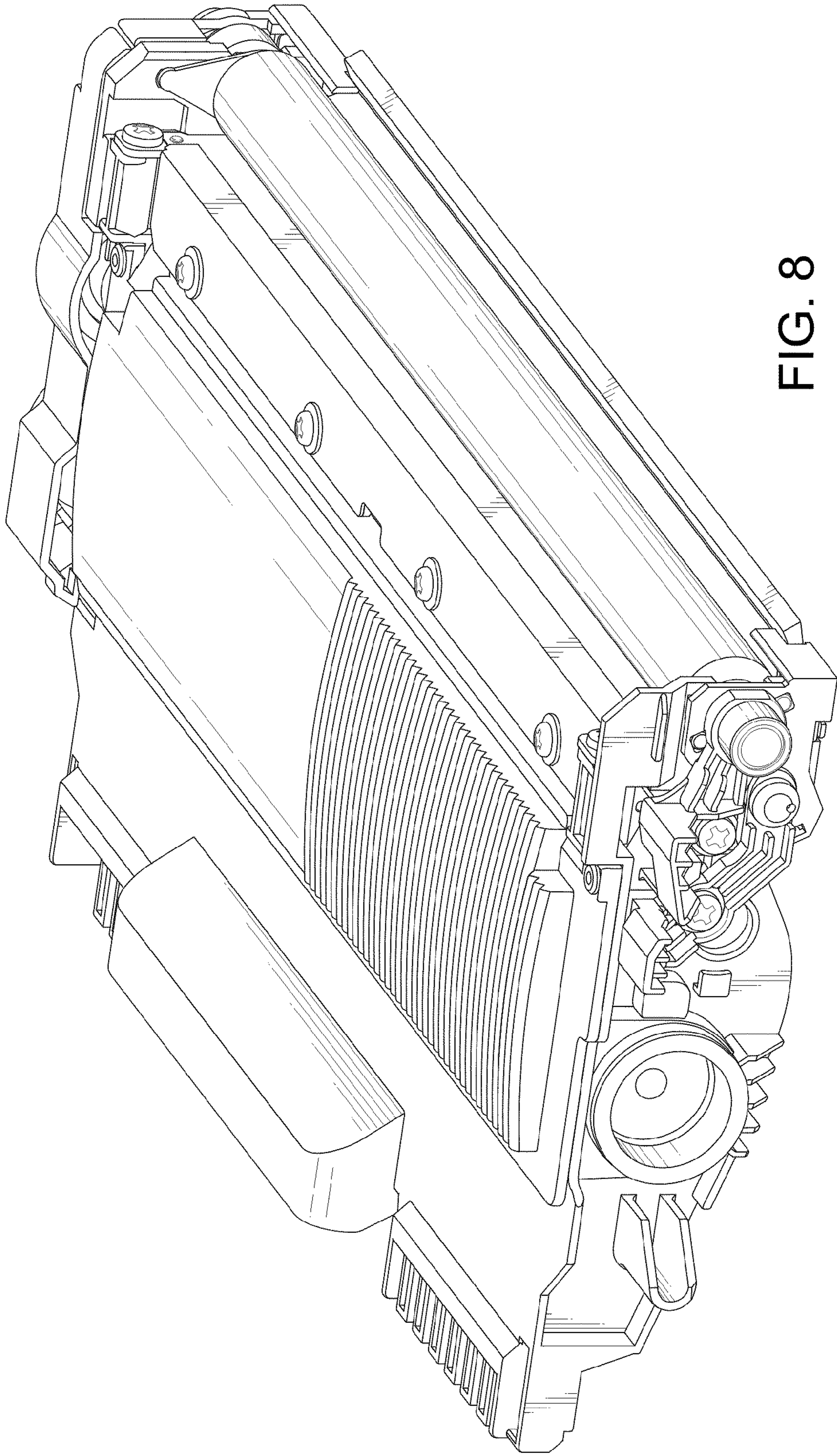


FIG. 8