

US00D652856S

(12) **United States Design Patent**
Ogawa et al.

(10) **Patent No.:** **US D652,856 S**
(45) **Date of Patent:** **** Jan. 24, 2012**

(54) **PROJECTOR**

(75) Inventors: **Susumu Ogawa**, Tokyo (JP); **Takayuki Okamoto**, Tokyo (JP); **Yukihiko Oota**, Tokyo (JP); **Junsi Lee**, Tokyo (JP); **Yuichiro Nara**, Tokyo (JP); **Mitsuhiro Shimizu**, Tokyo (JP)

(73) Assignee: **NEC Display Solutions, Ltd.**, Tokyo (JP)

(**) Term: **14 Years**

(21) Appl. No.: **29/379,907**

(22) Filed: **Nov. 26, 2010**

(30) **Foreign Application Priority Data**

May 28, 2010 (JP) 2010-13280

(51) **LOC (9) Cl.** **16-02**

(52) **U.S. Cl.** **D16/230; D16/225**

(58) **Field of Classification Search** D16/205, D16/208, 219, 221, 225, 230–231, 234–235; D21/514; 348/373–376; 353/115, 119, 122
See application file for complete search history.

(56) **References Cited**

U.S. PATENT DOCUMENTS

D513,515 S * 1/2006 Ooshima et al. D16/230
D548,263 S * 8/2007 Nakanishi D16/230

D550,268 S * 9/2007 Naruki D16/230
D555,697 S * 11/2007 Kawabe et al. D16/230
D565,631 S * 4/2008 Morishita D16/235
D574,406 S * 8/2008 Sakamaki et al. D16/230
D589,074 S * 3/2009 Lim et al. D16/230
D590,865 S * 4/2009 Nishimura et al. D16/230
D605,683 S * 12/2009 Inoue et al. D16/235

* cited by examiner

Primary Examiner — Wan Laymon

(74) *Attorney, Agent, or Firm* — Sughrue Mion, PLLC

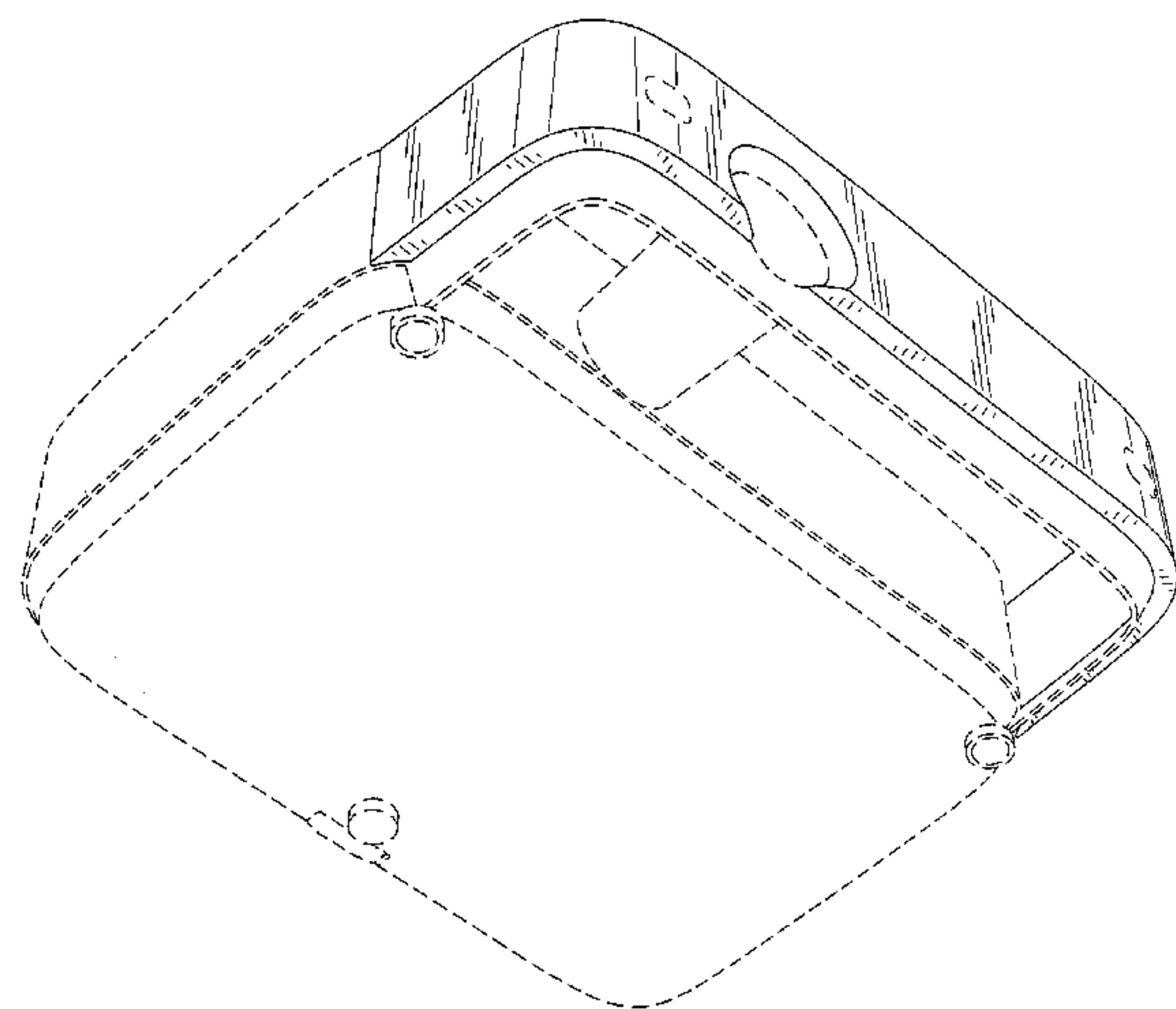
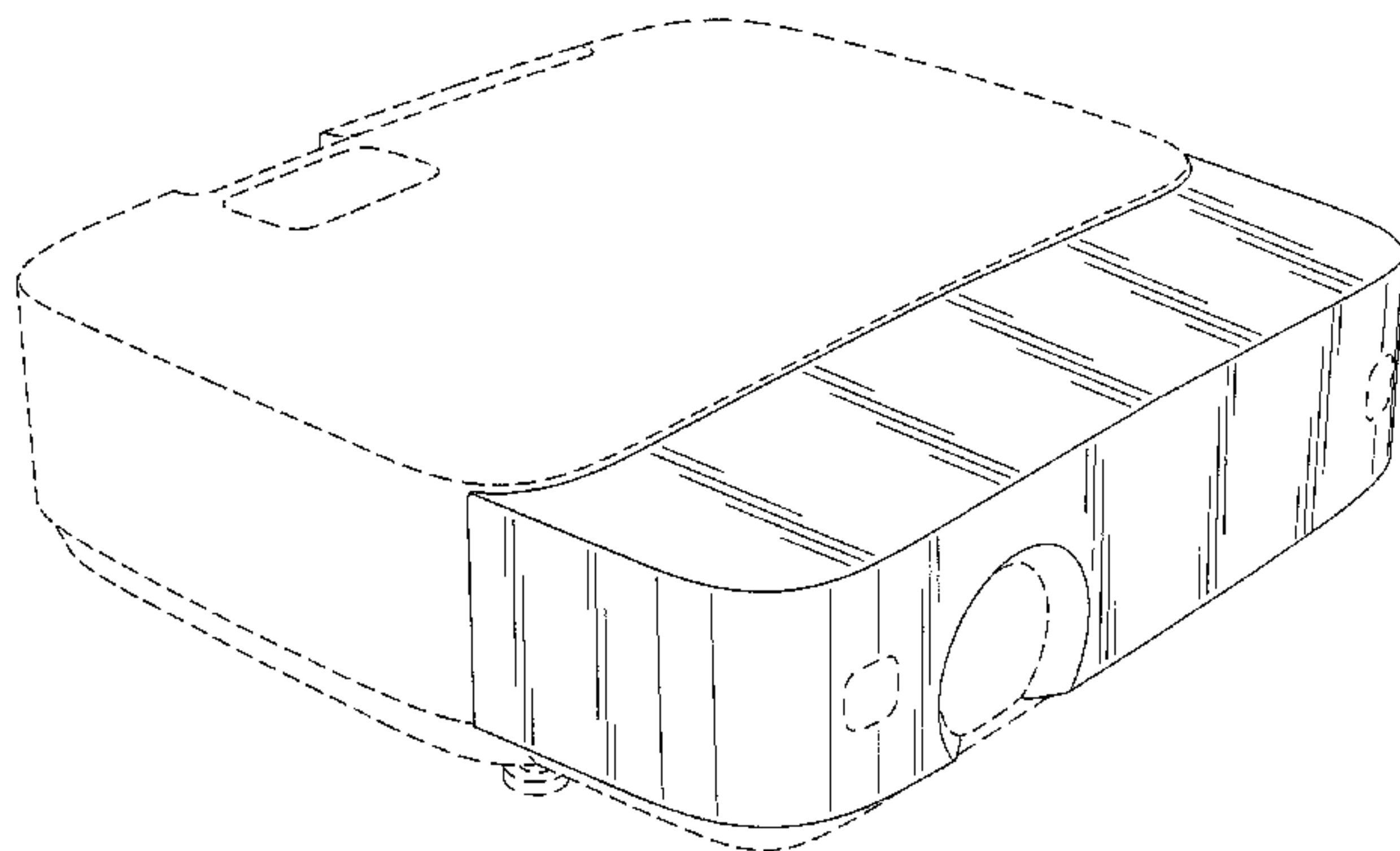
(57) **CLAIM**

The ornamental design for a projector, as shown and described.

DESCRIPTION

FIG. 1 is a front, left side, top perspective view of a projector showing our new design;
FIG. 2 is a front elevational view thereof;
FIG. 3 is a rear elevational view thereof;
FIG. 4 is a left side view thereof;
FIG. 5 is a right side view thereof;
FIG. 6 is a top plan view thereof;
FIG. 7 is a bottom plan view thereof; and,
FIG. 8 is a front, left side, bottom perspective view thereof.
The broken lines shown in the figures represent portions of the projector that form no part of the claimed design.

1 Claim, 8 Drawing Sheets



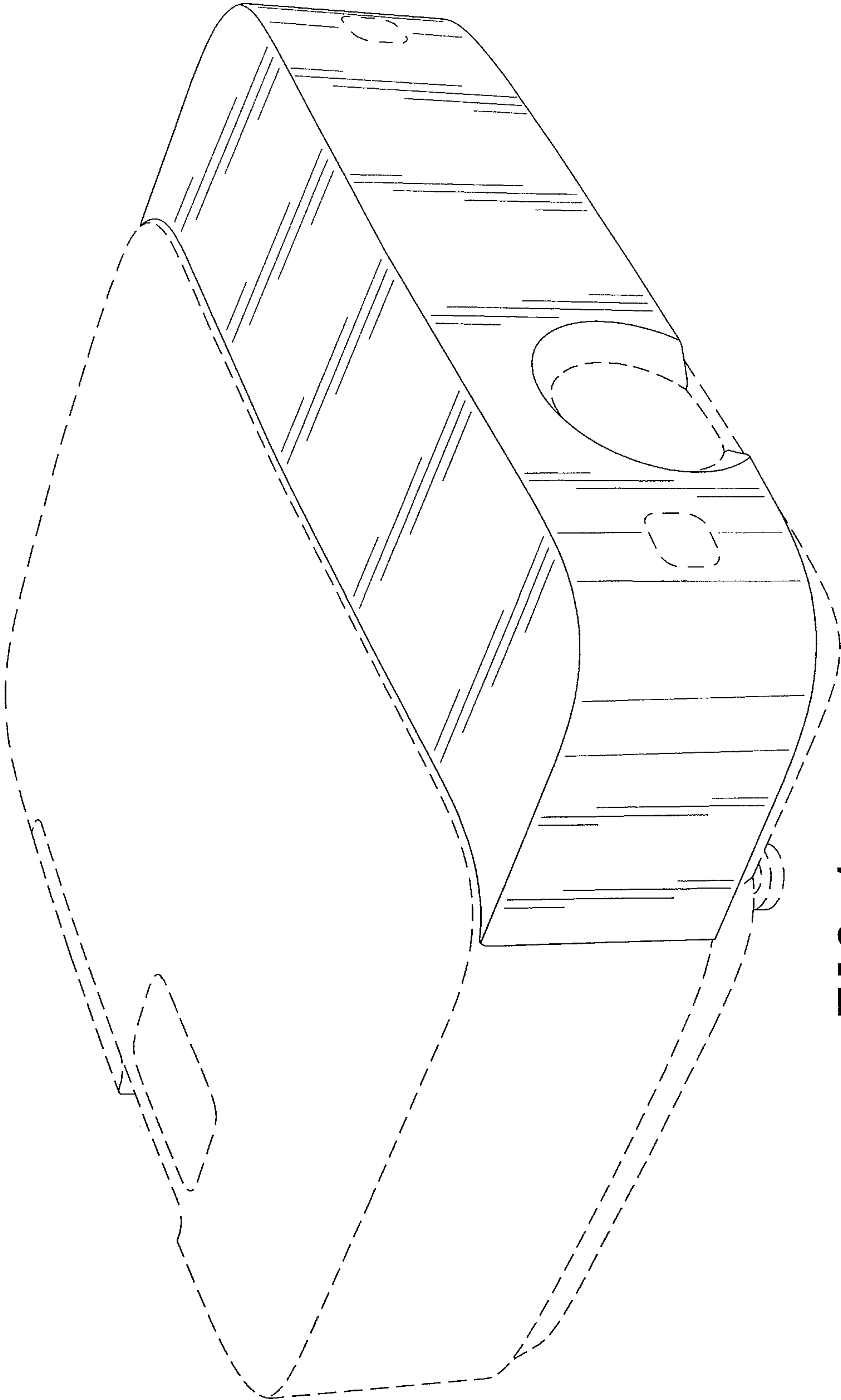


FIG. 1

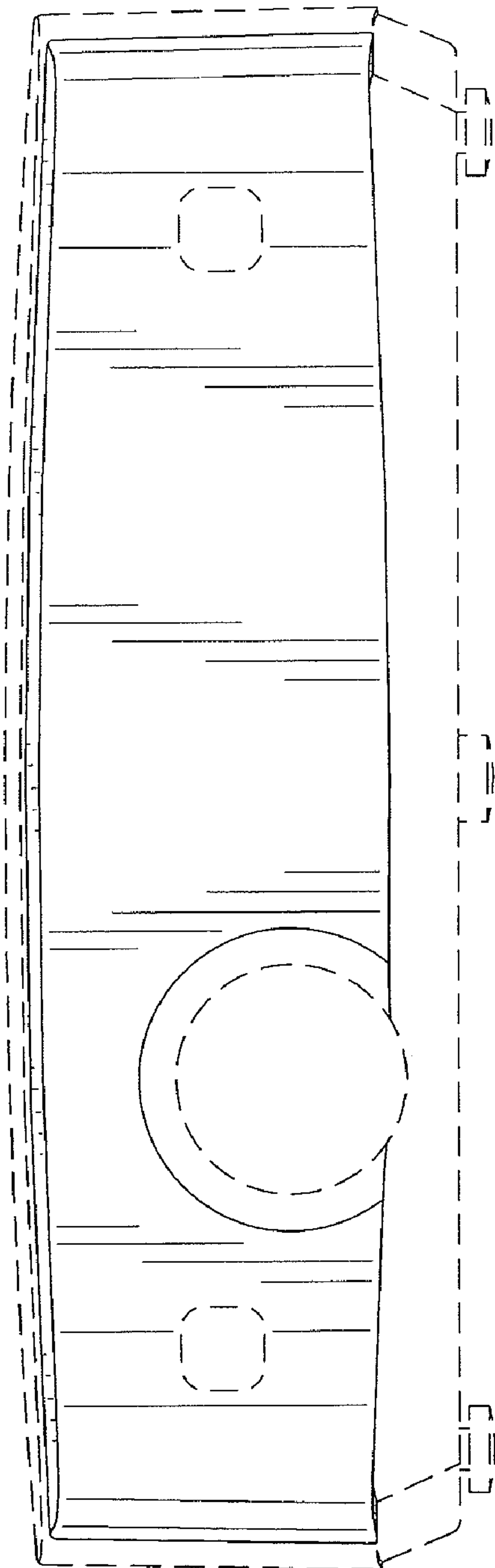


FIG. 2

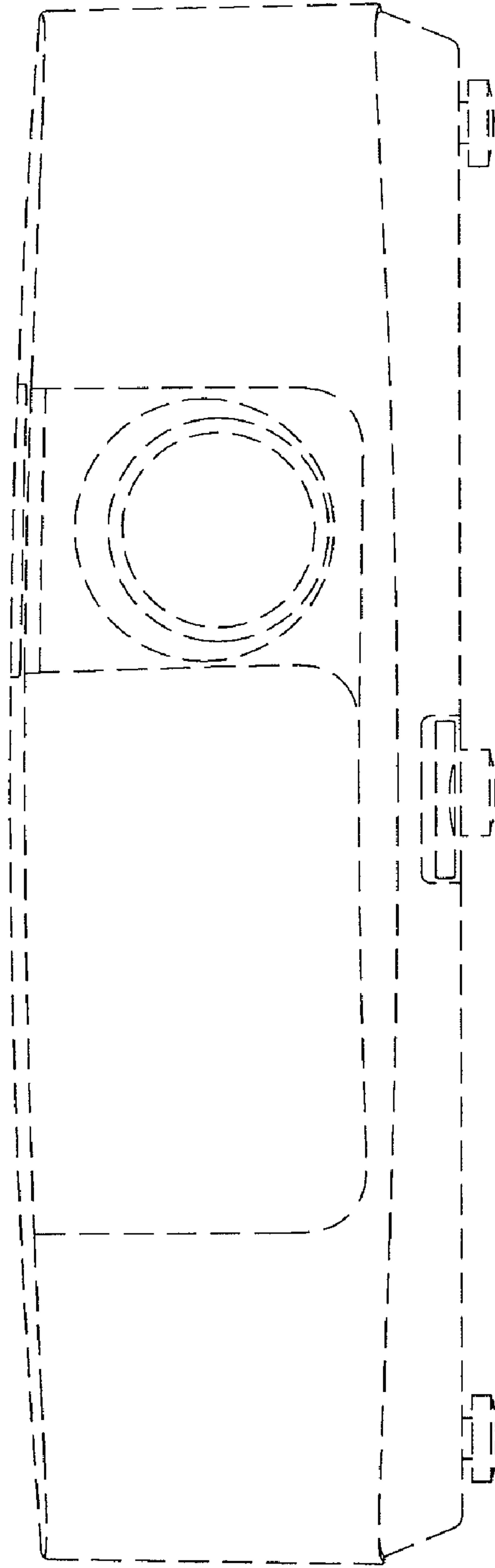


FIG. 3

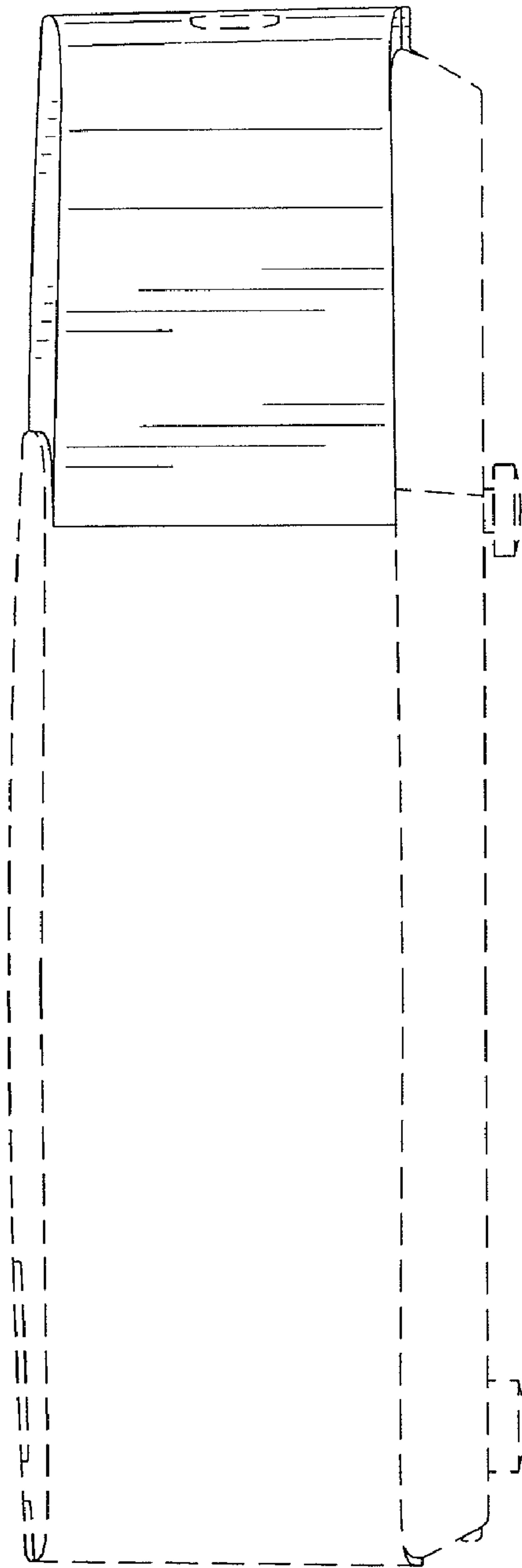


FIG. 4

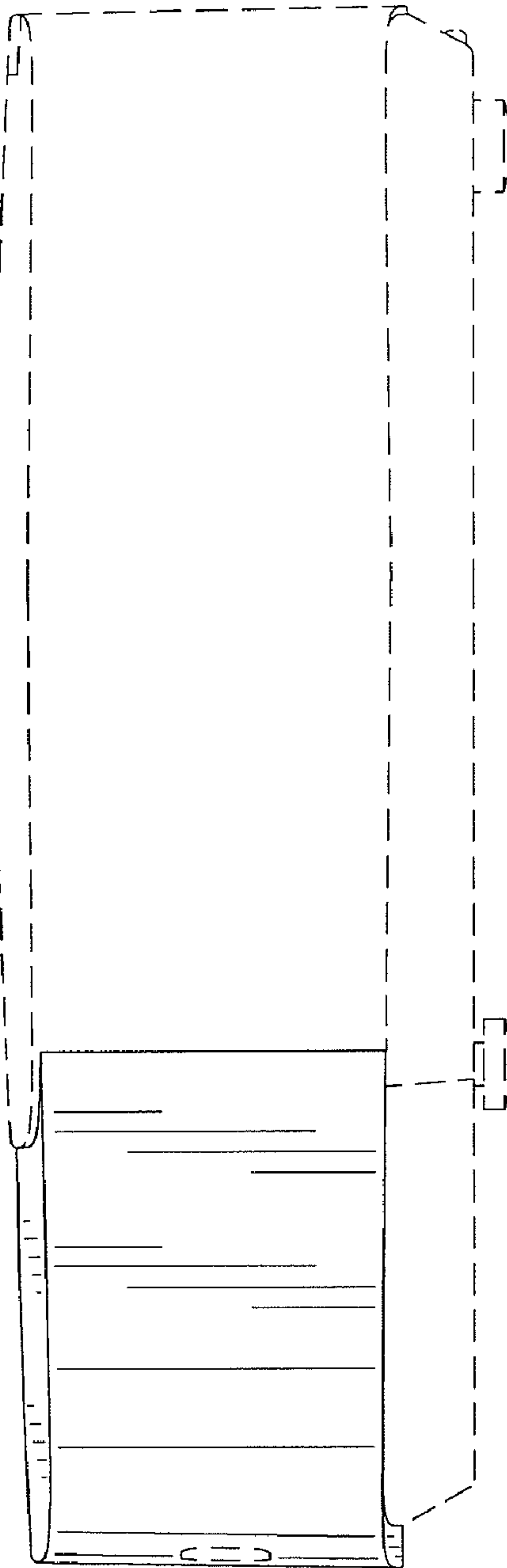


FIG. 5

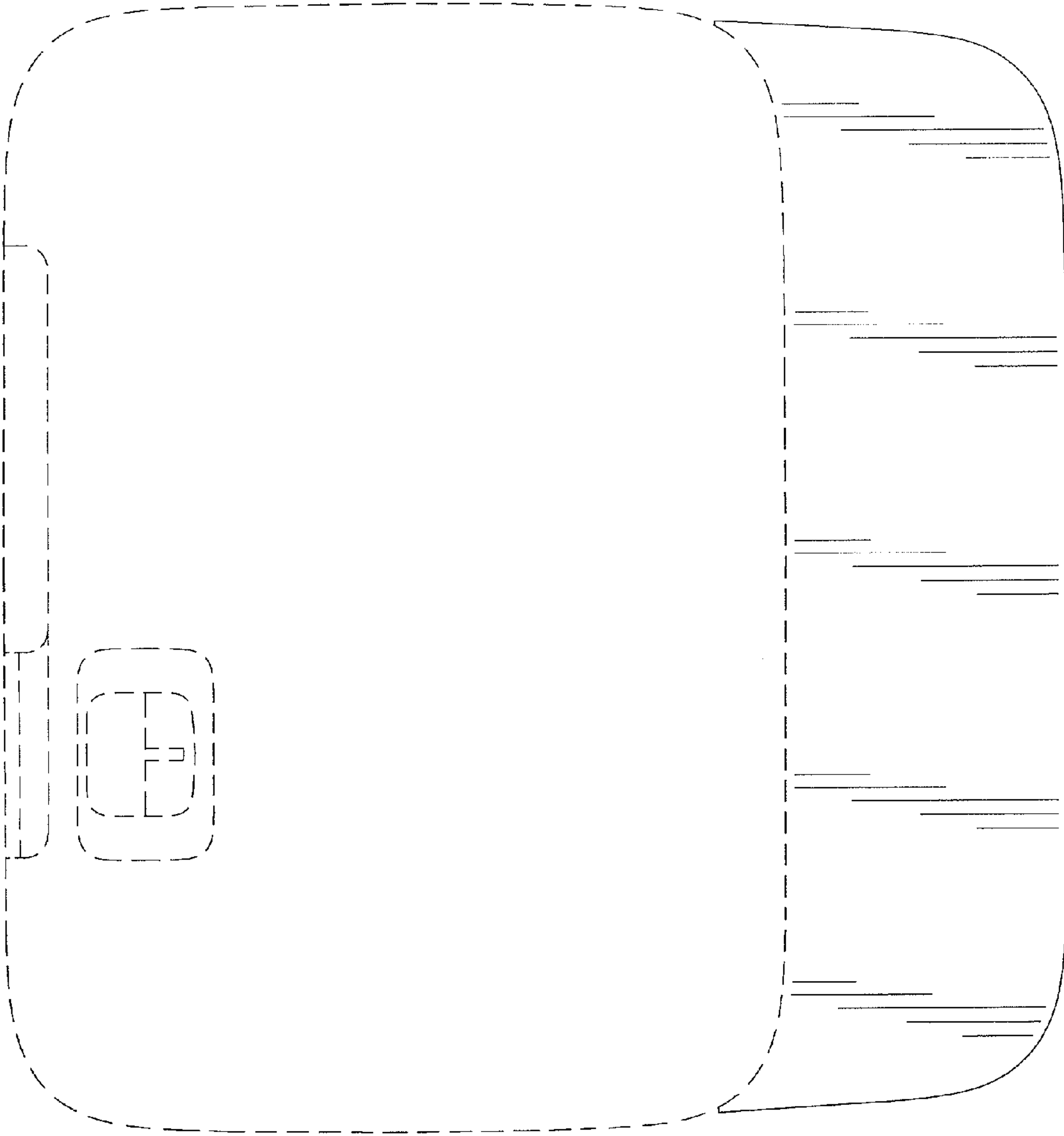


FIG. 6

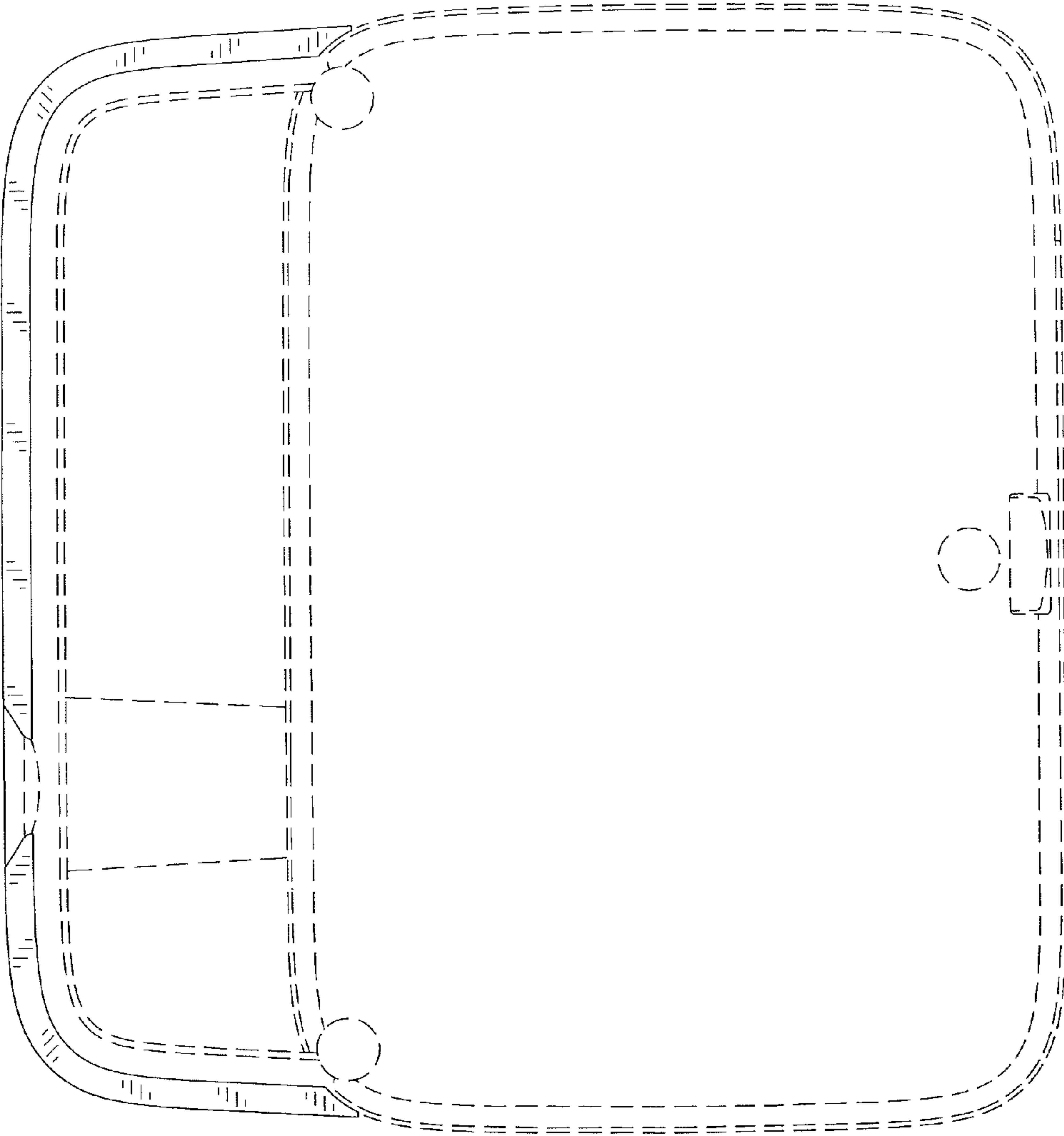


FIG. 7

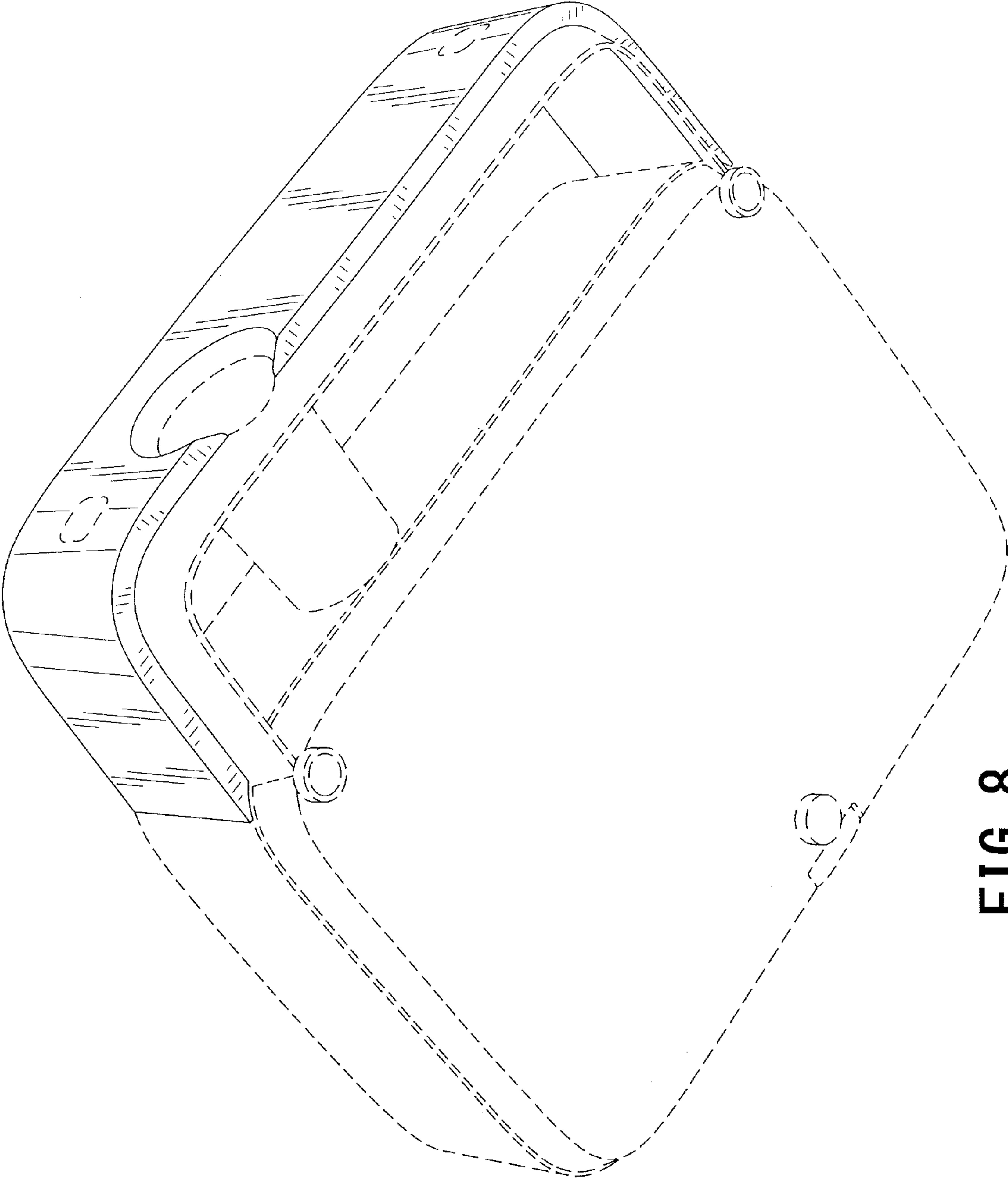


FIG. 8