



US00D652854S

(12) **United States Design Patent**
Imai

(10) **Patent No.:** **US D652,854 S**
(45) **Date of Patent:** **** Jan. 24, 2012**

(54) **ELECTRONIC CAMERA**

(75) Inventor: **Masazumi Imai**, Tokyo (JP)

(73) Assignee: **Fujifilm Corporation**, Tokyo (JP)

(**) Term: **14 Years**

(21) Appl. No.: **29/369,930**

(22) Filed: **Sep. 15, 2010**

(30) **Foreign Application Priority Data**

Mar. 16, 2010 (JP) 2010-006390

(51) **LOC (9) Cl.** **16-05**

(52) **U.S. Cl.** **D16/219**

(58) **Field of Classification Search** D16/200–204,
D16/218, 219; 348/373–376; 396/535–543
See application file for complete search history.

(56) **References Cited**

U.S. PATENT DOCUMENTS

6,341,202 B1 * 1/2002 Hosokawa et al. 396/543
D530,357 S * 10/2006 Takahashi et al. D16/219

D587,292 S * 2/2009 Kurita et al. D16/219
D630,662 S * 1/2011 Miyashita D16/219
D630,663 S * 1/2011 Meguro D16/219

* cited by examiner

Primary Examiner — Adir Aronovich

(74) *Attorney, Agent, or Firm* — Young & Thompson

(57) **CLAIM**

The ornamental design for an electronic camera, as shown and described.

DESCRIPTION

FIG. 1 is a top, rear and left side perspective view of an electronic camera showing my new design;
FIG. 2 is a rear elevational view thereof;
FIG. 3 is a top plan view thereof;
FIG. 4 is a bottom plan view thereof;
FIG. 5 is a left side elevational view thereof;
FIG. 6 is a right side elevational view thereof; and,
FIG. 7 is a top, rear and left side perspective view thereof, illustrating indicia thereon.

The portions of the electronic camera in broken lines are shown for illustrative purposes only and form no part of the claimed design.

1 Claim, 7 Drawing Sheets

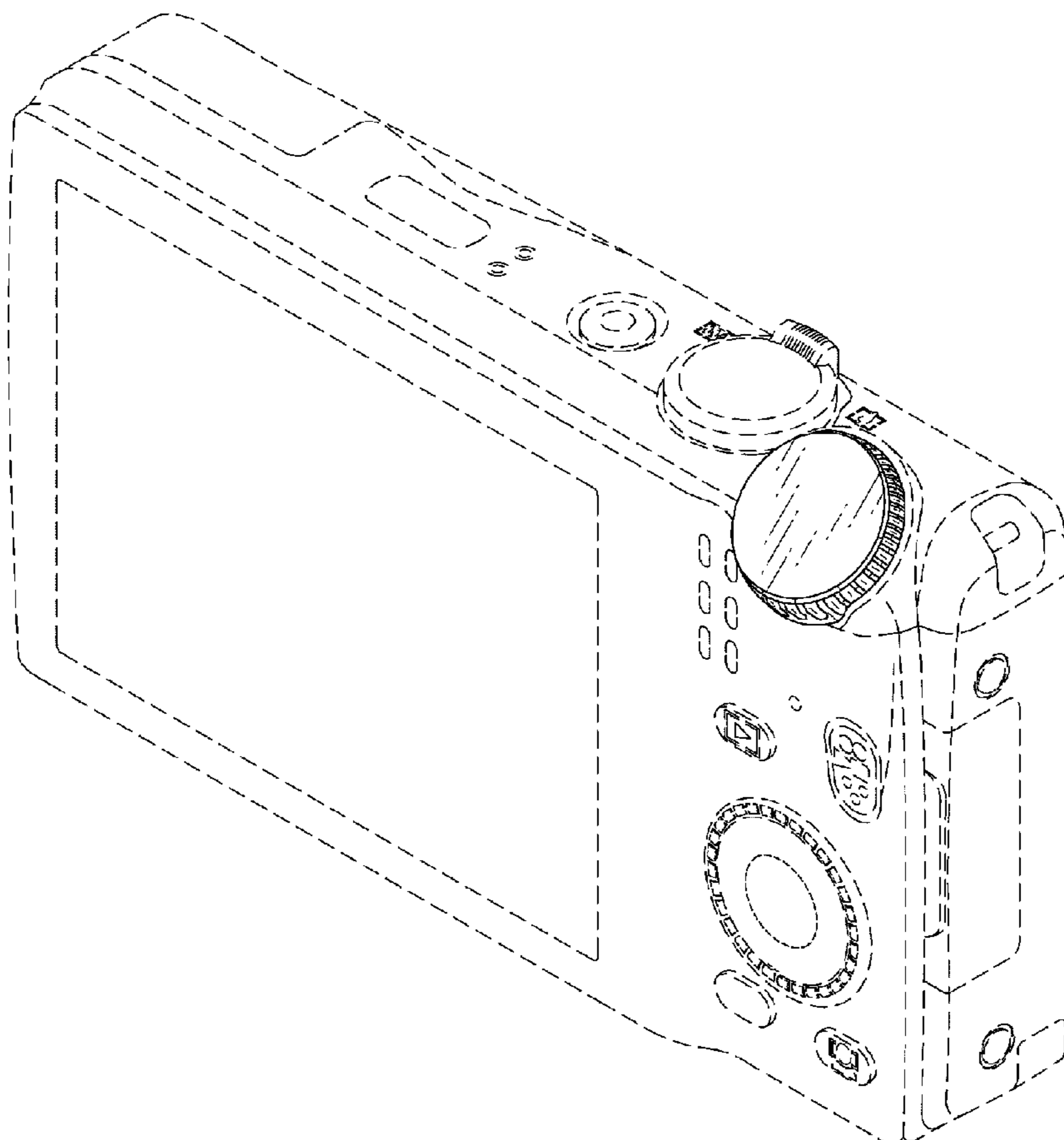


FIG. 1

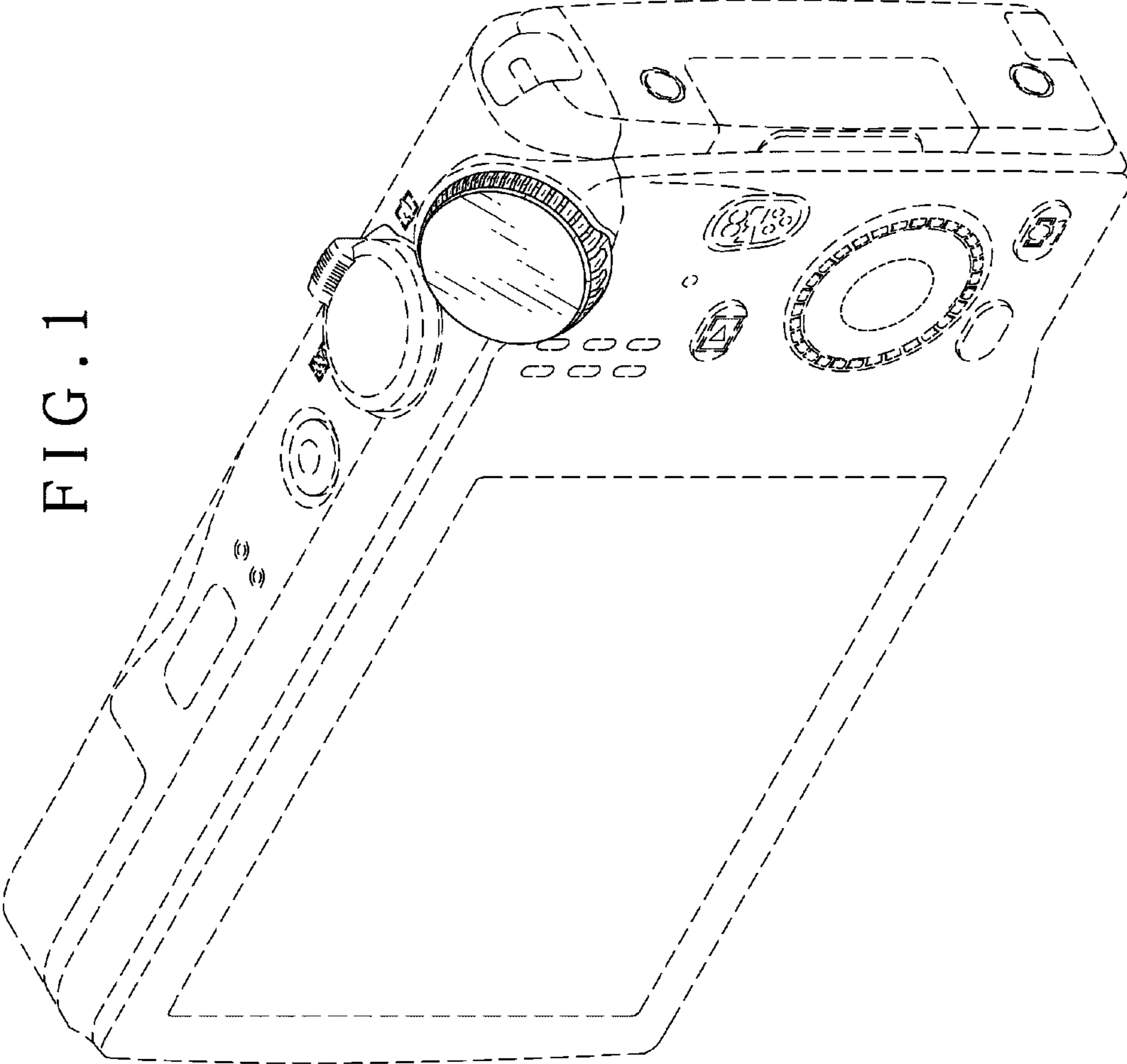


FIG. 2

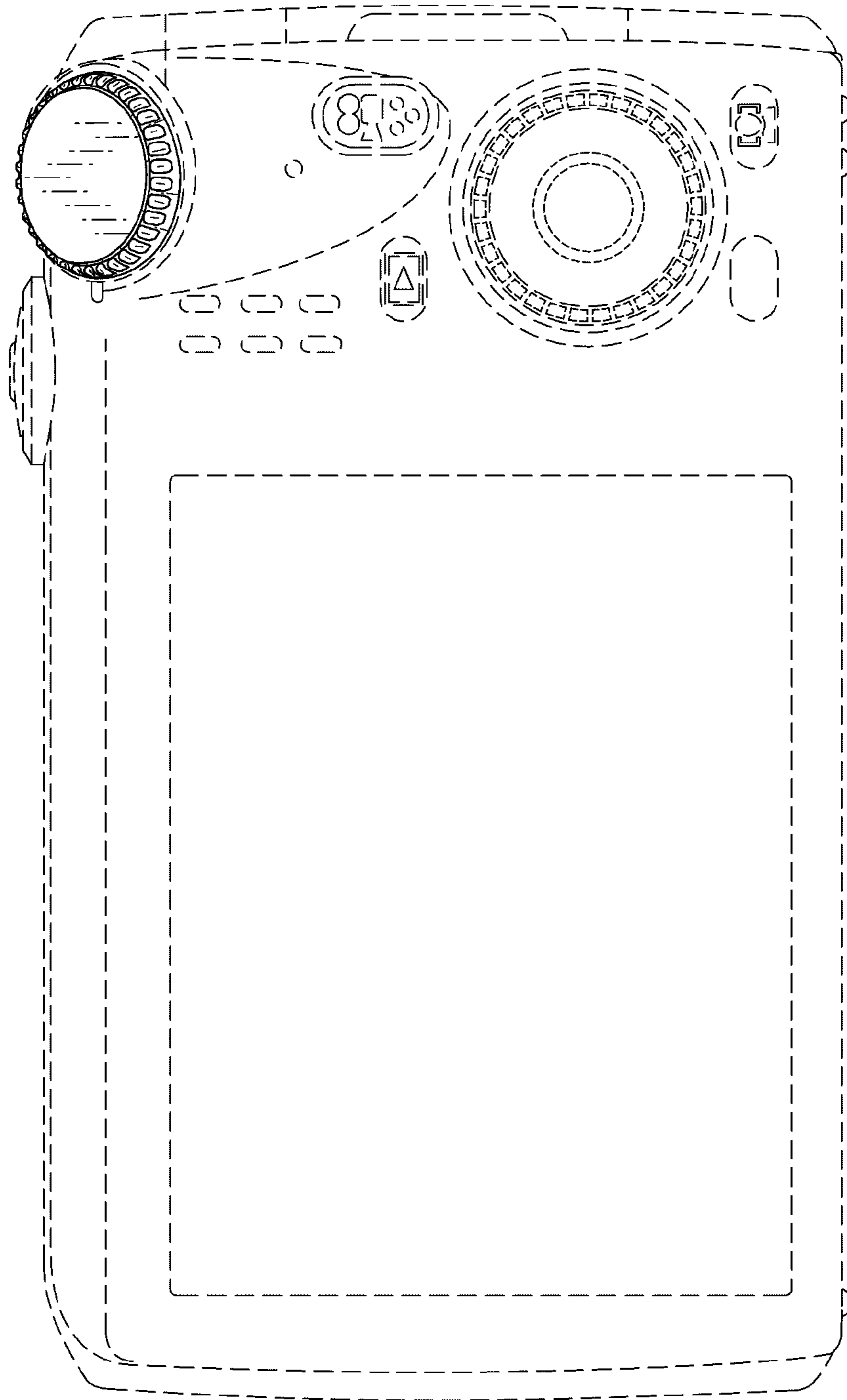


FIG. 3

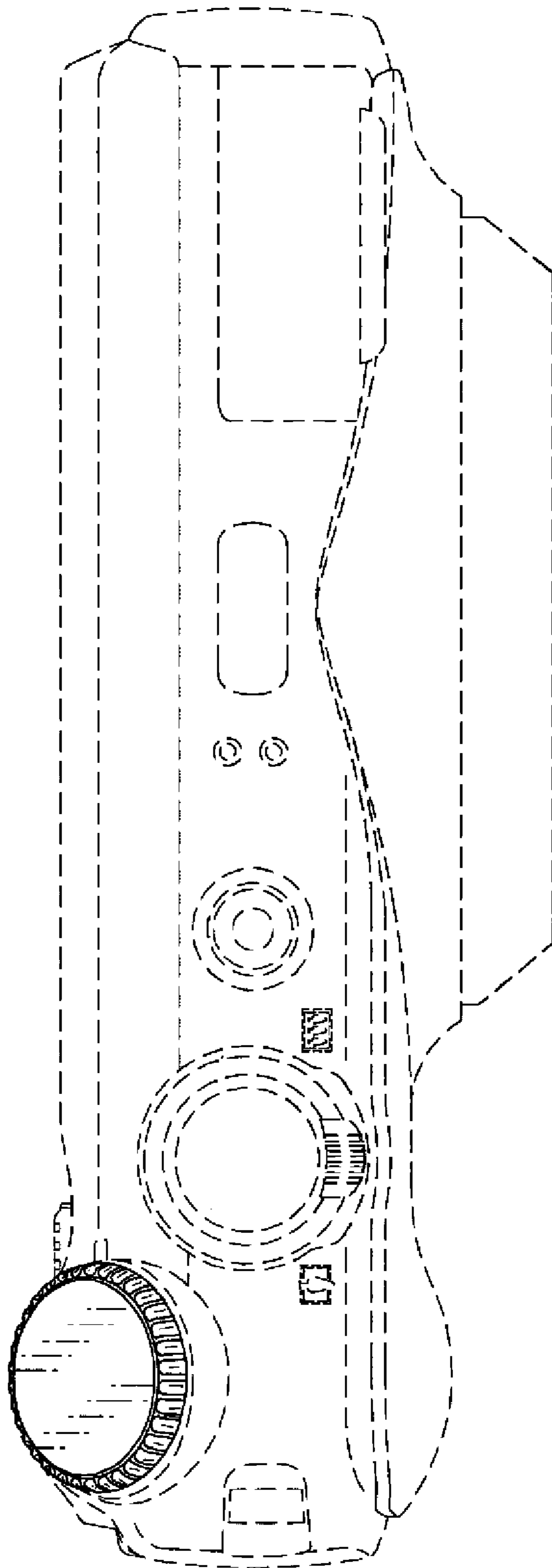


FIG. 4

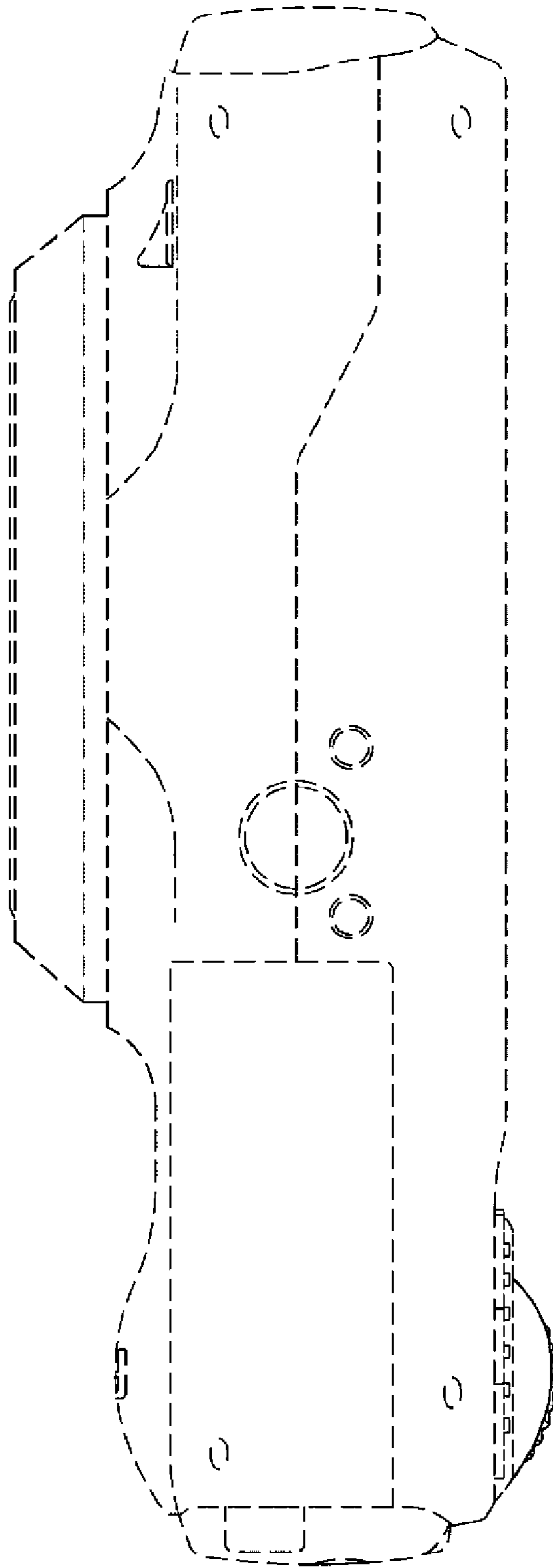


FIG. 5

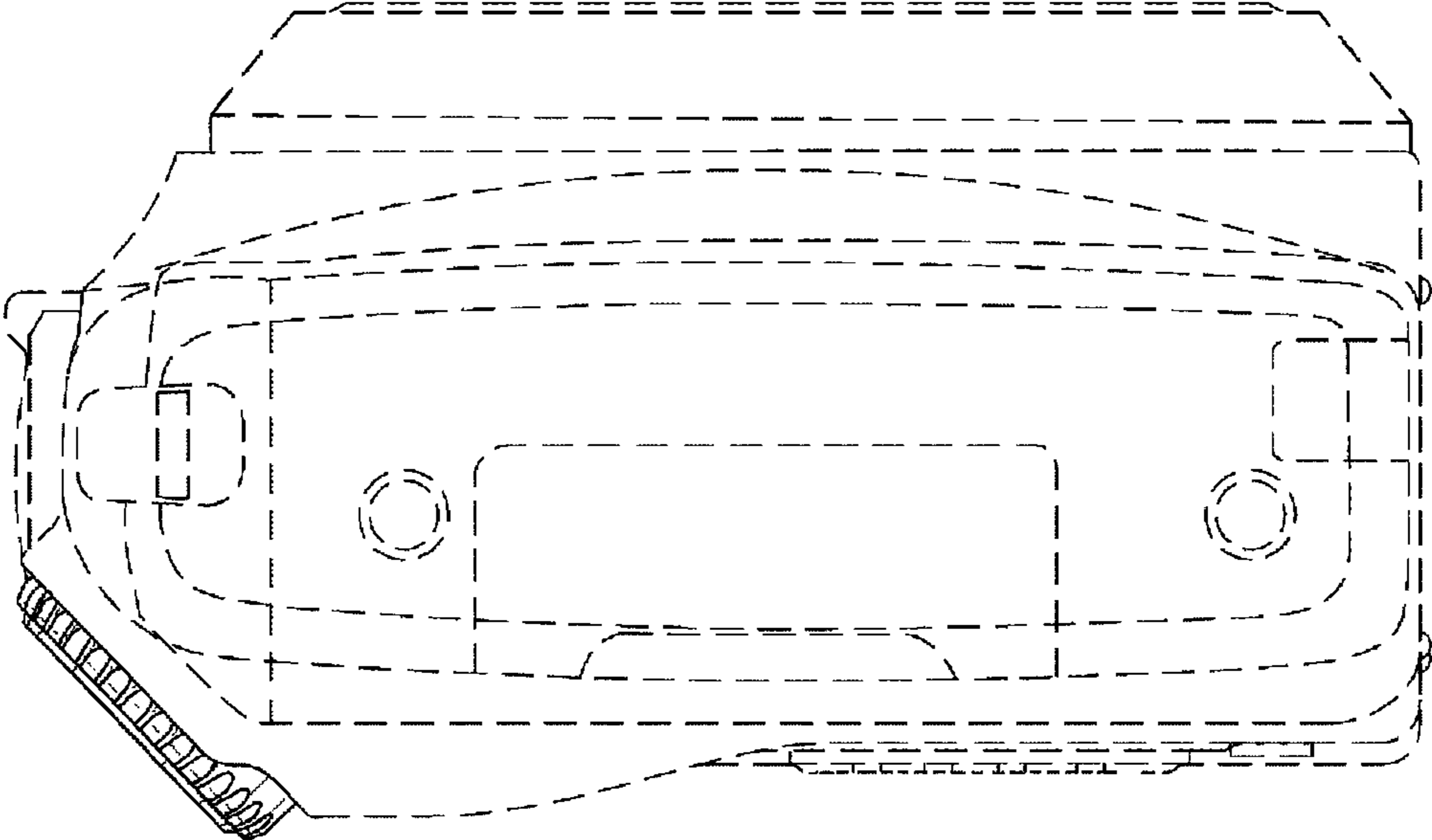


FIG. 6

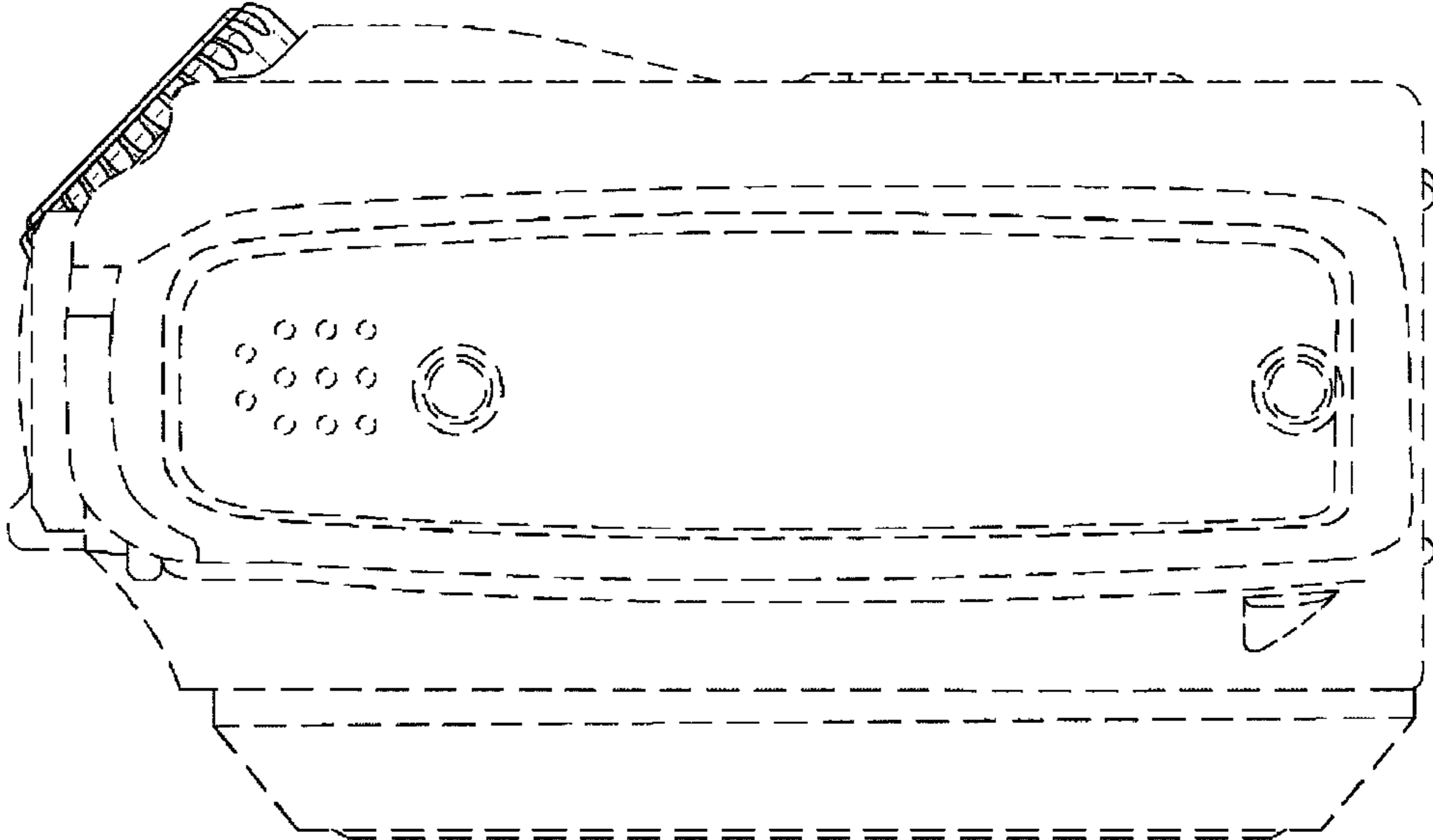


FIG. 7

