



US00D652852S

(12) **United States Design Patent**
Hoelbl

(10) **Patent No.:** **US D652,852 S**
(45) **Date of Patent:** **** Jan. 24, 2012**

(54) **FIELD GLASS**

(75) Inventor: **Werner Hoelbl**, Vienna (AT)

(73) Assignee: **Swarovski-Optik KG.**, Absam (AT)

(**) Term: **14 Years**

(21) Appl. No.: **29/347,983**

(22) Filed: **Aug. 31, 2010**

(30) **Foreign Application Priority Data**

Mar. 11, 2010 (EM) 1680281

(51) **LOC (9) Cl.** **16-06**

(52) **U.S. Cl.** **D16/133**

(58) **Field of Classification Search** D16/130,
D16/133; 359/407-414, 419, 420, 421, 422,
359/579, 555, 552, 600, 835
See application file for complete search history.

(56) **References Cited**

U.S. PATENT DOCUMENTS

D179,084 S *	10/1956	Jensen	D16/133
2,811,895 A *	11/1957	Jensen	359/414
D195,146 S *	4/1963	Jensen	D16/133
3,312,518 A *	4/1967	Bushnell	359/407
3,484,149 A *	12/1969	Becker et al.	359/414
D223,298 S *	4/1972	Senda et al.	D16/133
D259,972 S *	7/1981	Van Brouwer	D11/233
4,329,013 A *	5/1982	Hengst	359/418
D307,154 S *	4/1990	Shishikura	D16/133
D412,177 S *	7/1999	Fujii	D16/133
6,266,185 B1 *	7/2001	Miller et al.	359/407
D486,507 S *	2/2004	Fujii	D16/133

D492,335 S *	6/2004	Watanabe	D16/133
D492,711 S *	7/2004	Watanabe	D16/133
D503,730 S *	4/2005	Hamamura	D16/133
D523,047 S *	6/2006	Swift et al.	D16/133
D551,272 S *	9/2007	Fujii	D16/133
D567,275 S *	4/2008	Hayamizu	D16/133
D575,315 S *	8/2008	Inaba	D16/133
D590,855 S *	4/2009	Watanabe	D16/133
D602,059 S *	10/2009	Inaba	D16/133
D627,378 S *	11/2010	Watanabe	D16/133

* cited by examiner

Primary Examiner — Paula Greene

(74) *Attorney, Agent, or Firm* — Wenderoth, Lind & Ponack, L.L.P.

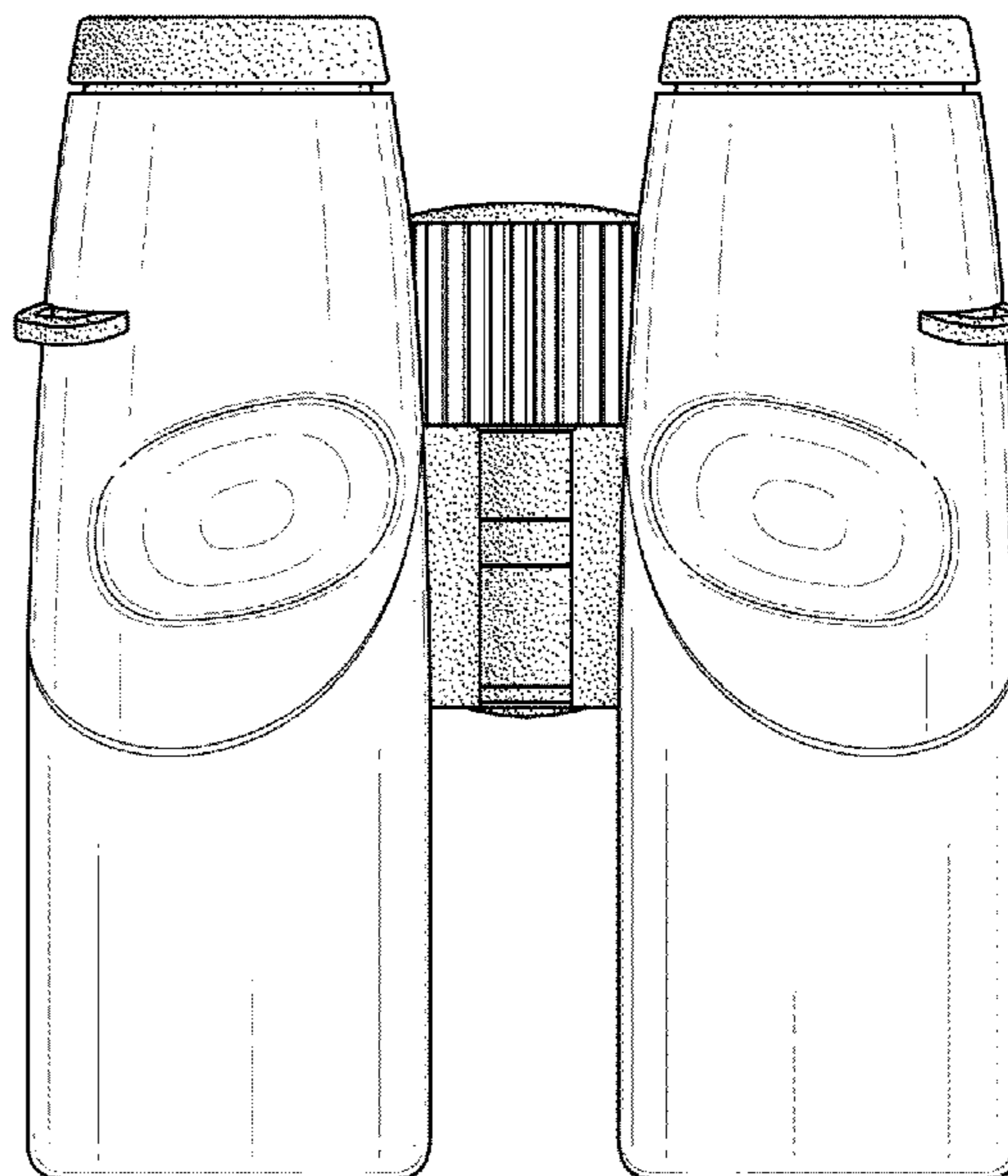
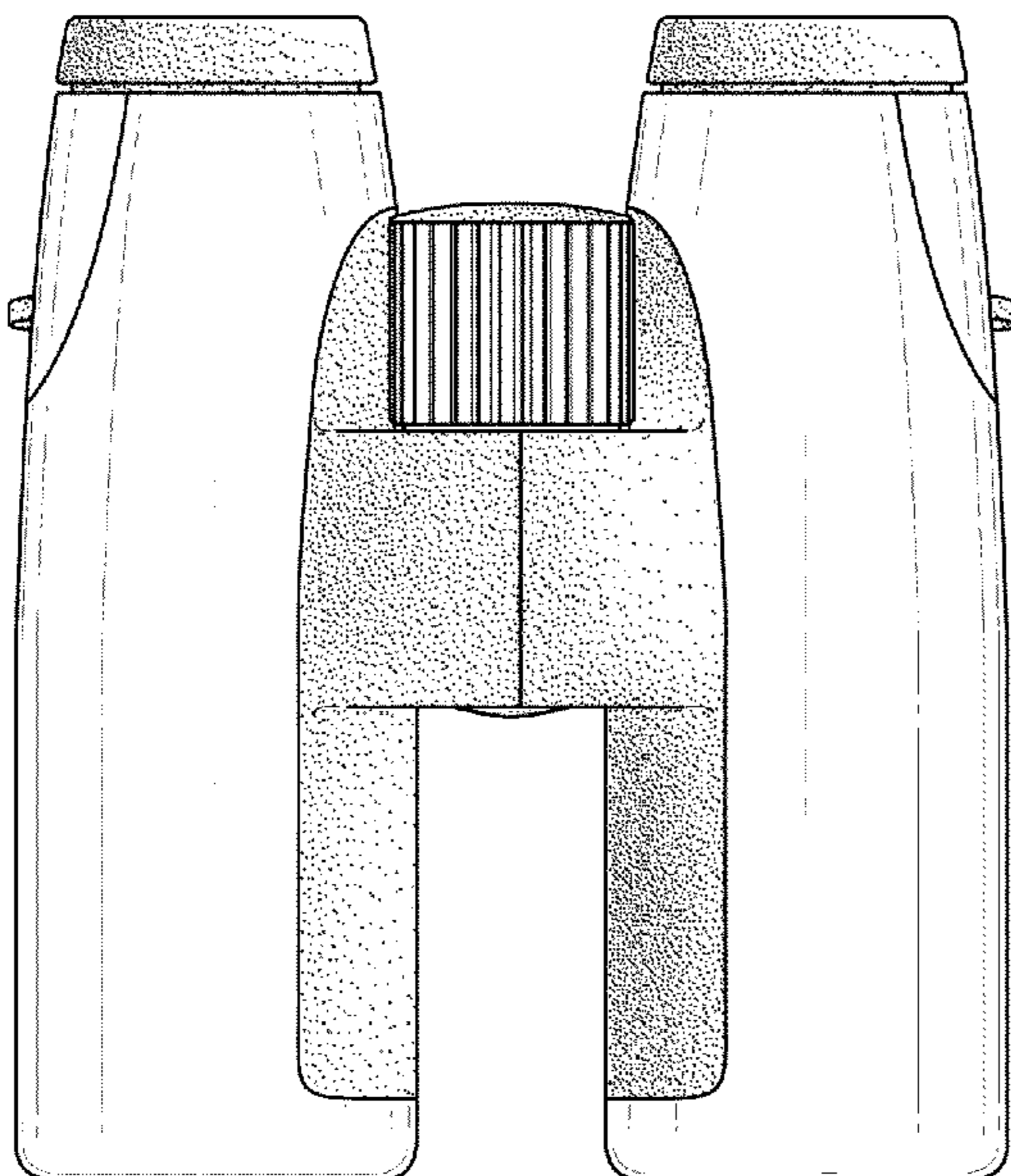
(57) **CLAIM**

The ornamental design for a field glass, as shown and described.

DESCRIPTION

FIG. 1 is a front view of the first embodiment;
FIG. 2 is a right view of the first embodiment;
FIG. 3 is a left view of the first embodiment;
FIG. 4 is a rear view of the first embodiment;
FIG. 5 is a top view of the first embodiment;
FIG. 6 is a bottom view of the first embodiment;
FIG. 7 is a perspective view of the first embodiment;
FIG. 8 is a front view of the second embodiment;
FIG. 9 is a right view of the second embodiment;
FIG. 10 is a left view of the second embodiment;
FIG. 11 is a rear view of the second embodiment;
FIG. 12 is a top view of the second embodiment;
FIG. 13 is a bottom view of the second embodiment; and,
FIG. 14 is a perspective view of the second embodiment.

1 Claim, 12 Drawing Sheets



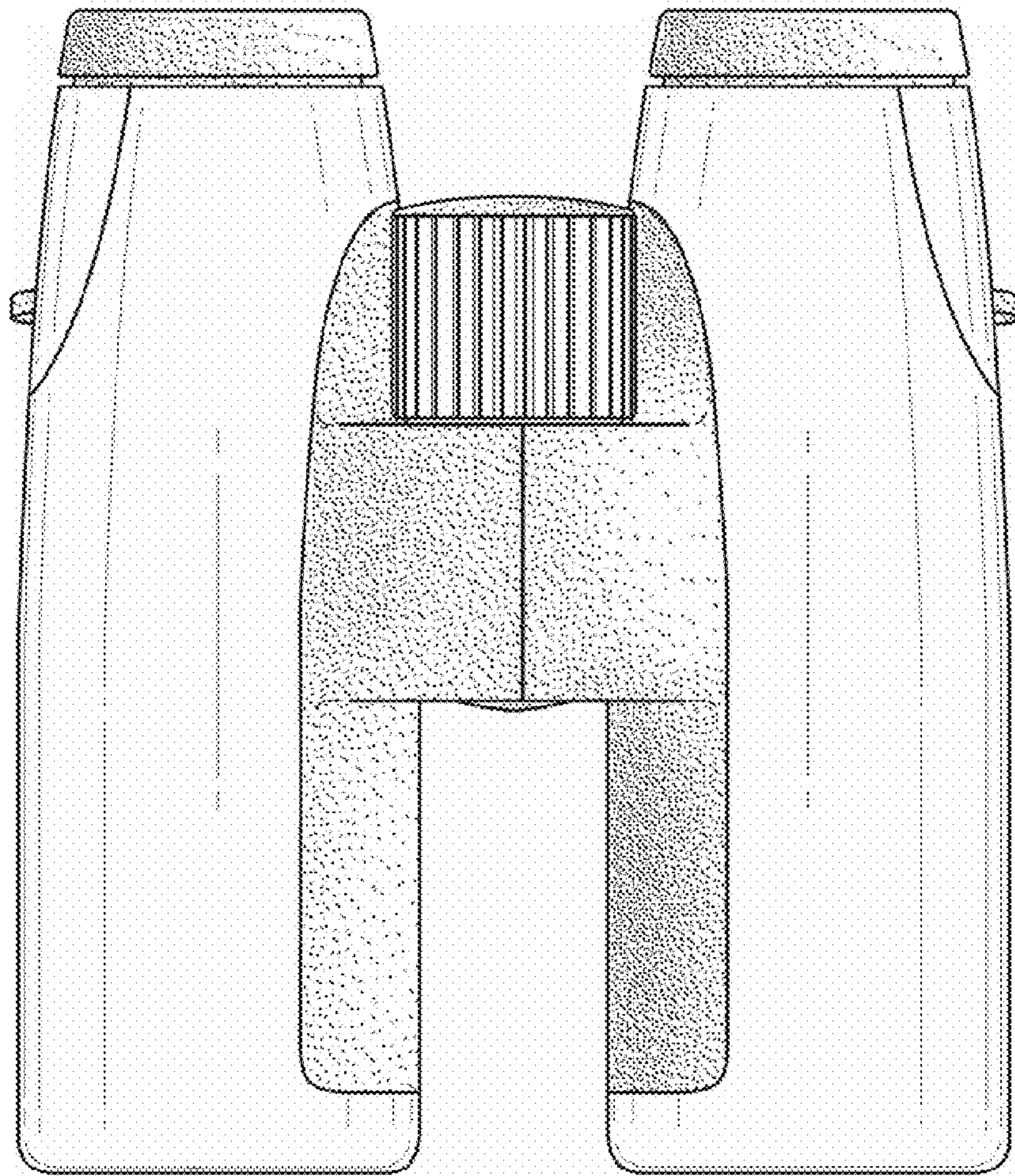


FIG. 1

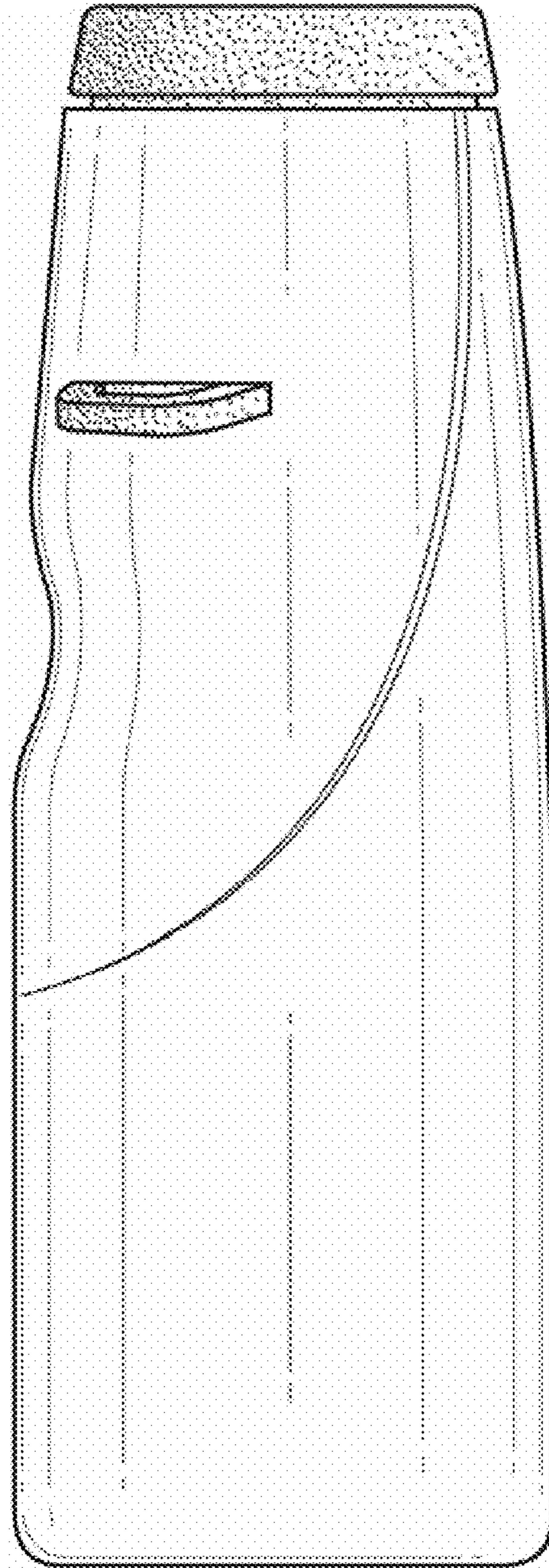


FIG. 2



FIG. 3

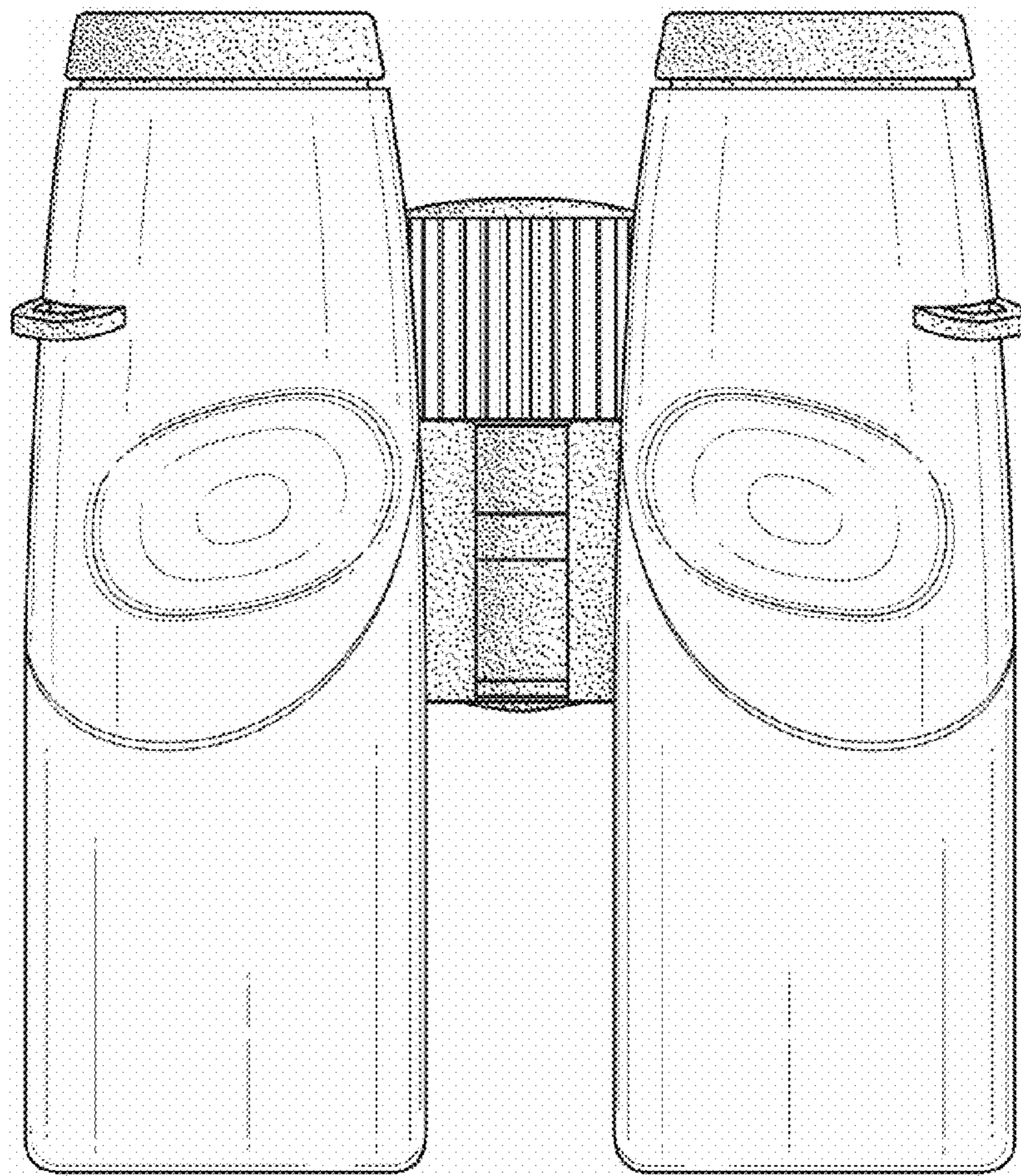


FIG. 4

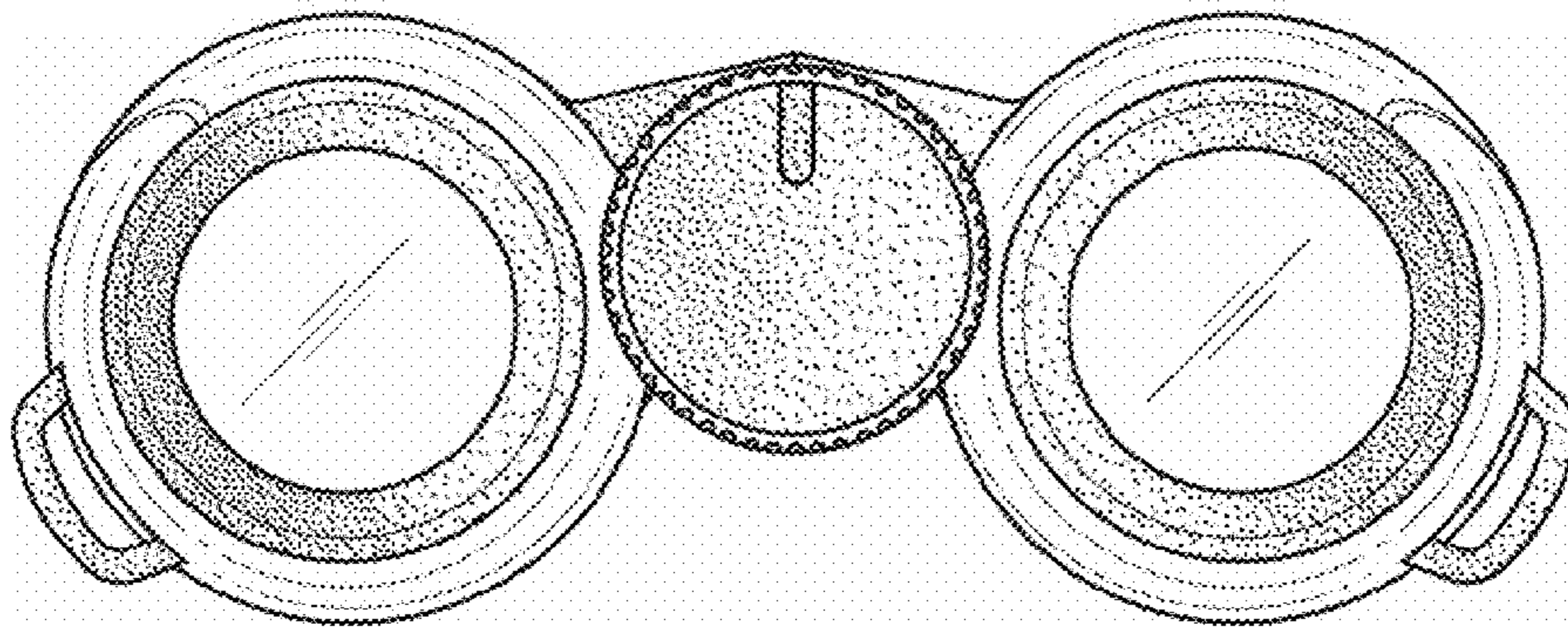


FIG. 5

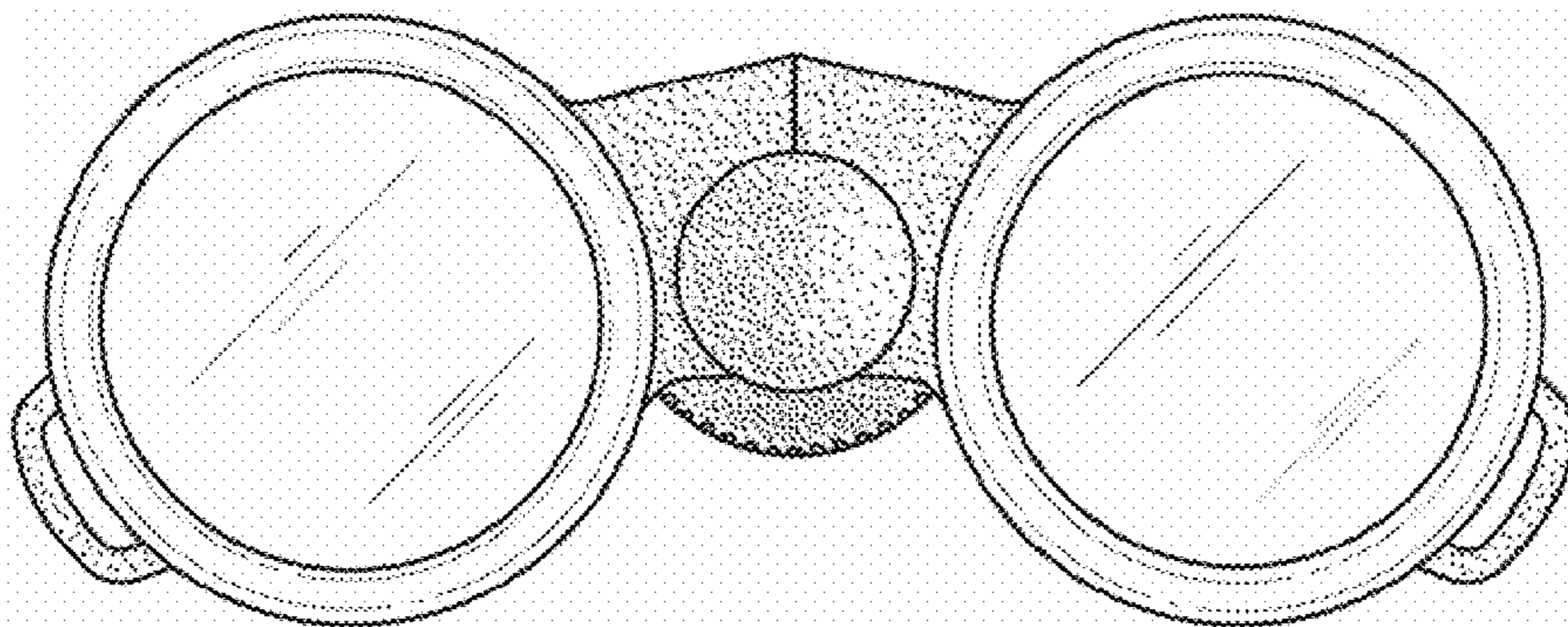


FIG. 6

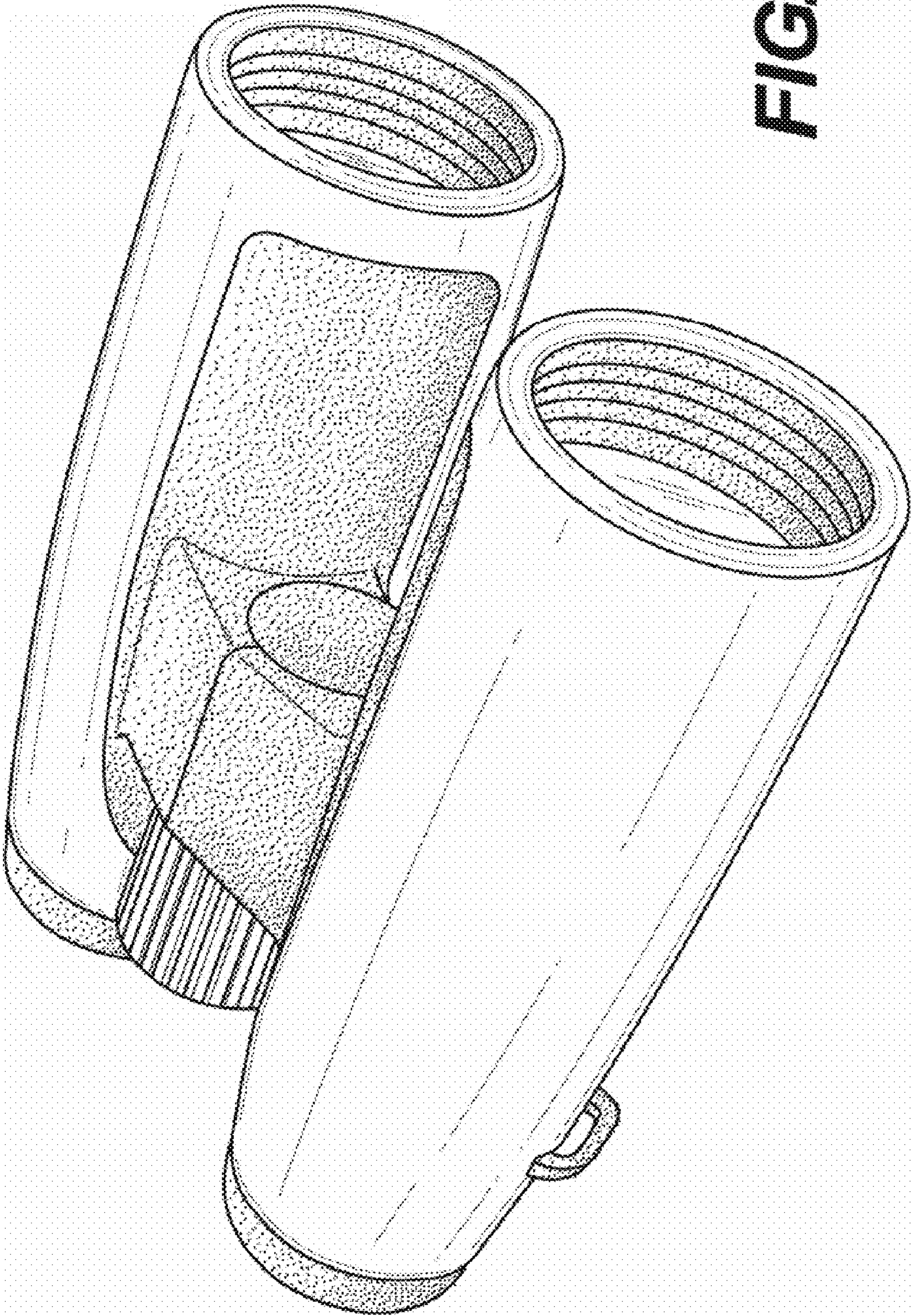


FIG. 7

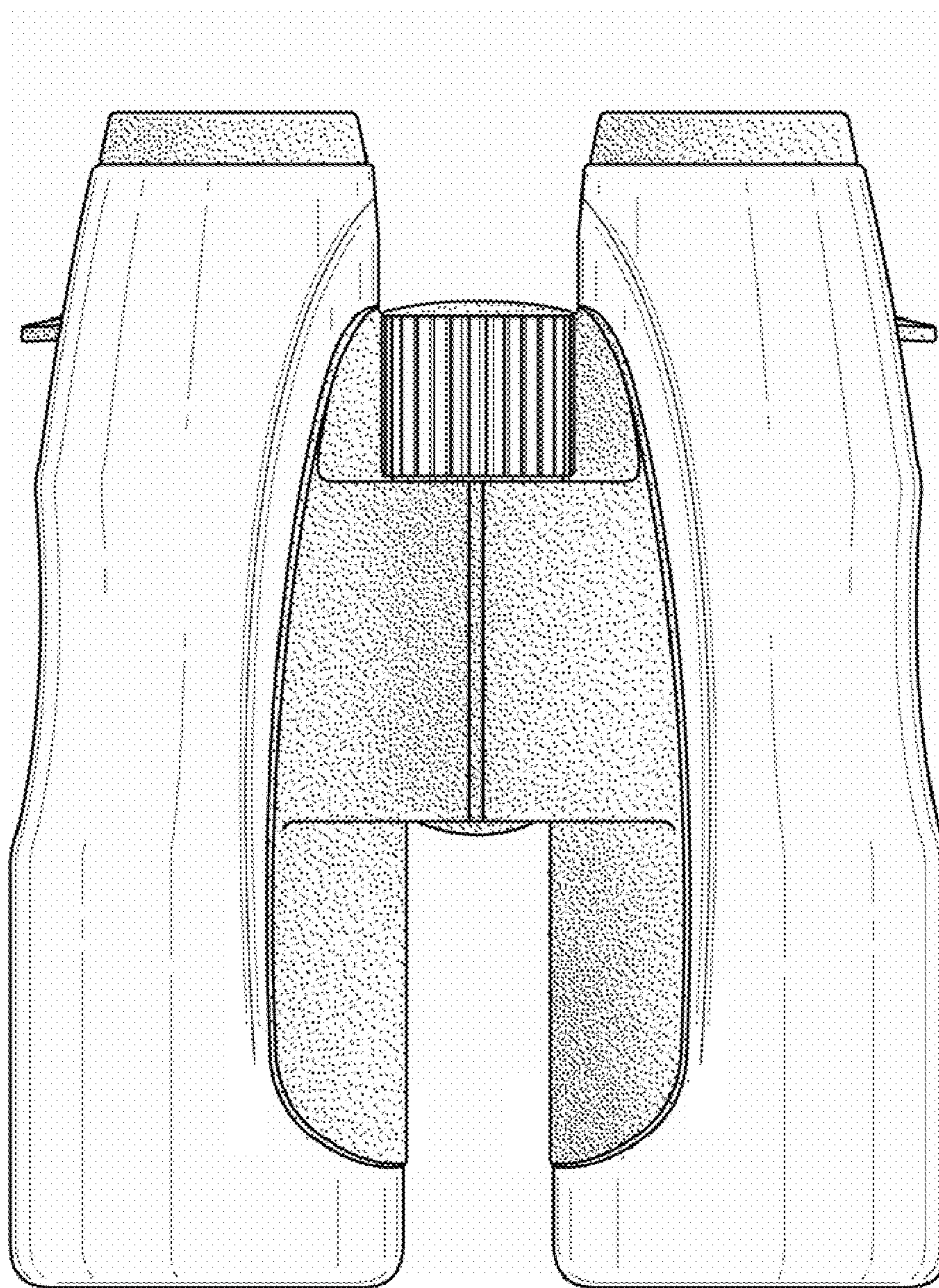


FIG. 8

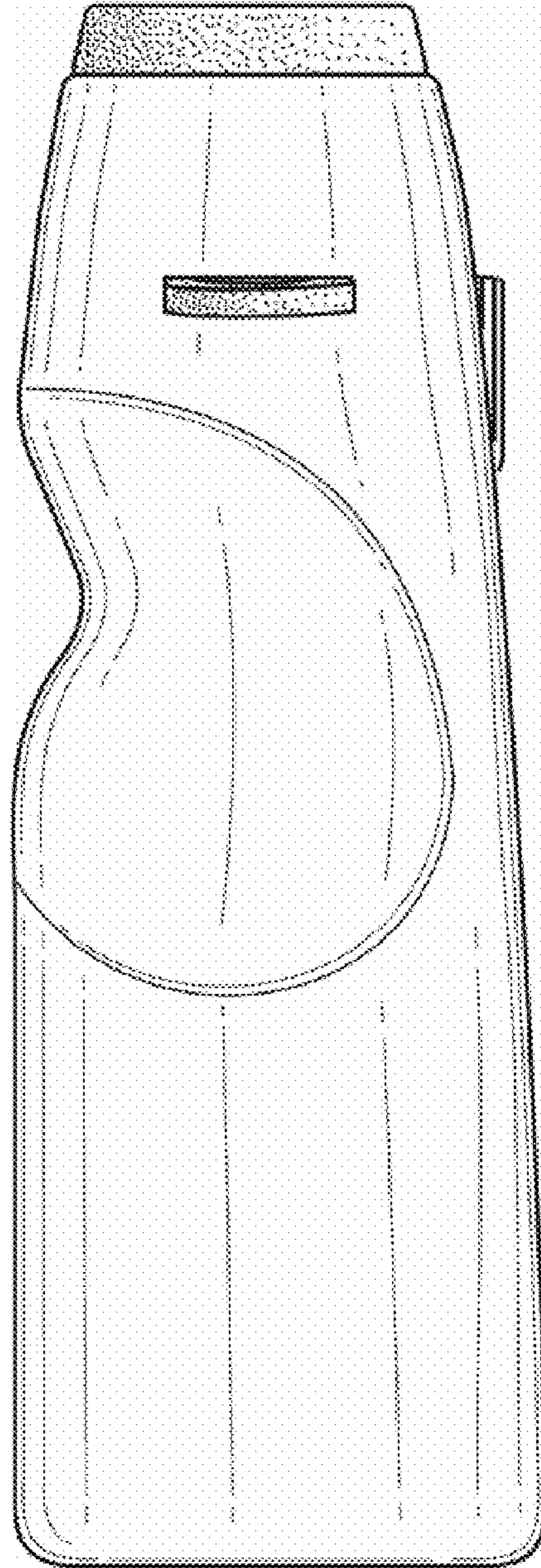


FIG. 9

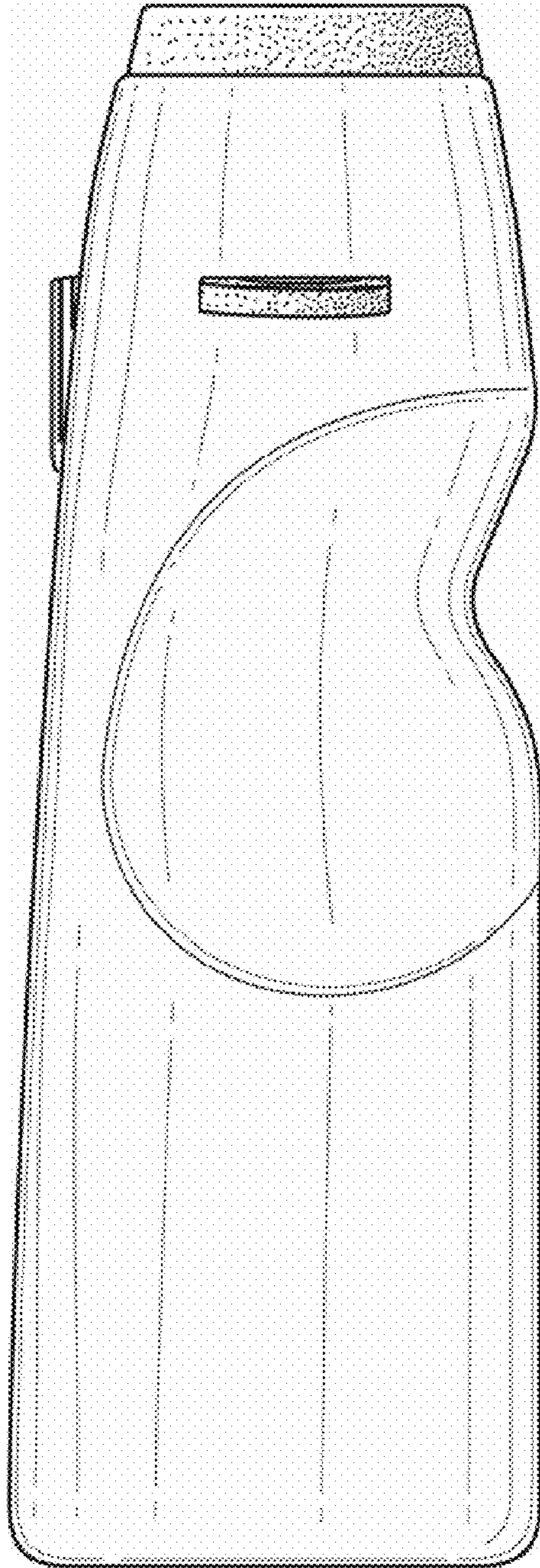


FIG. 10

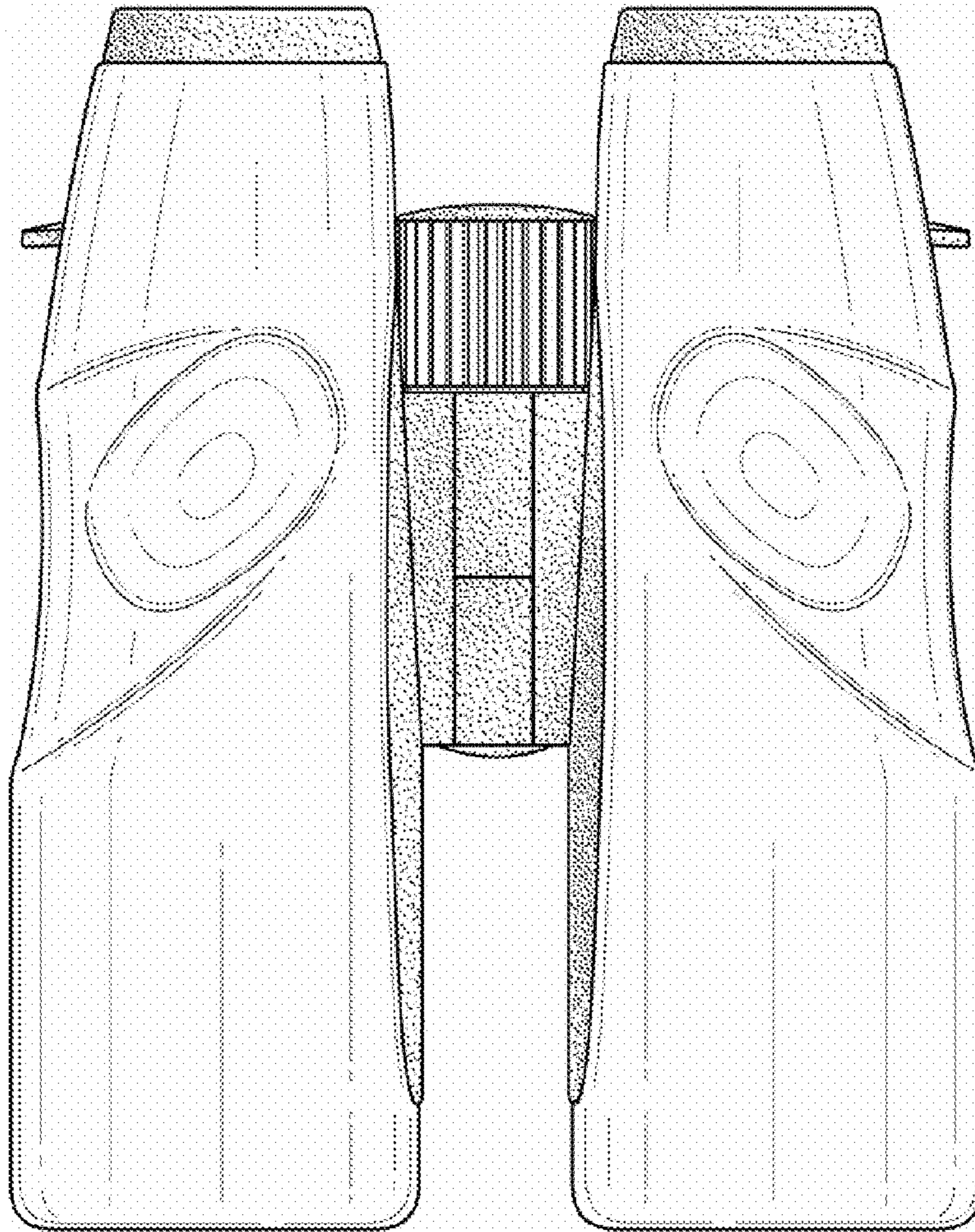


FIG. 11

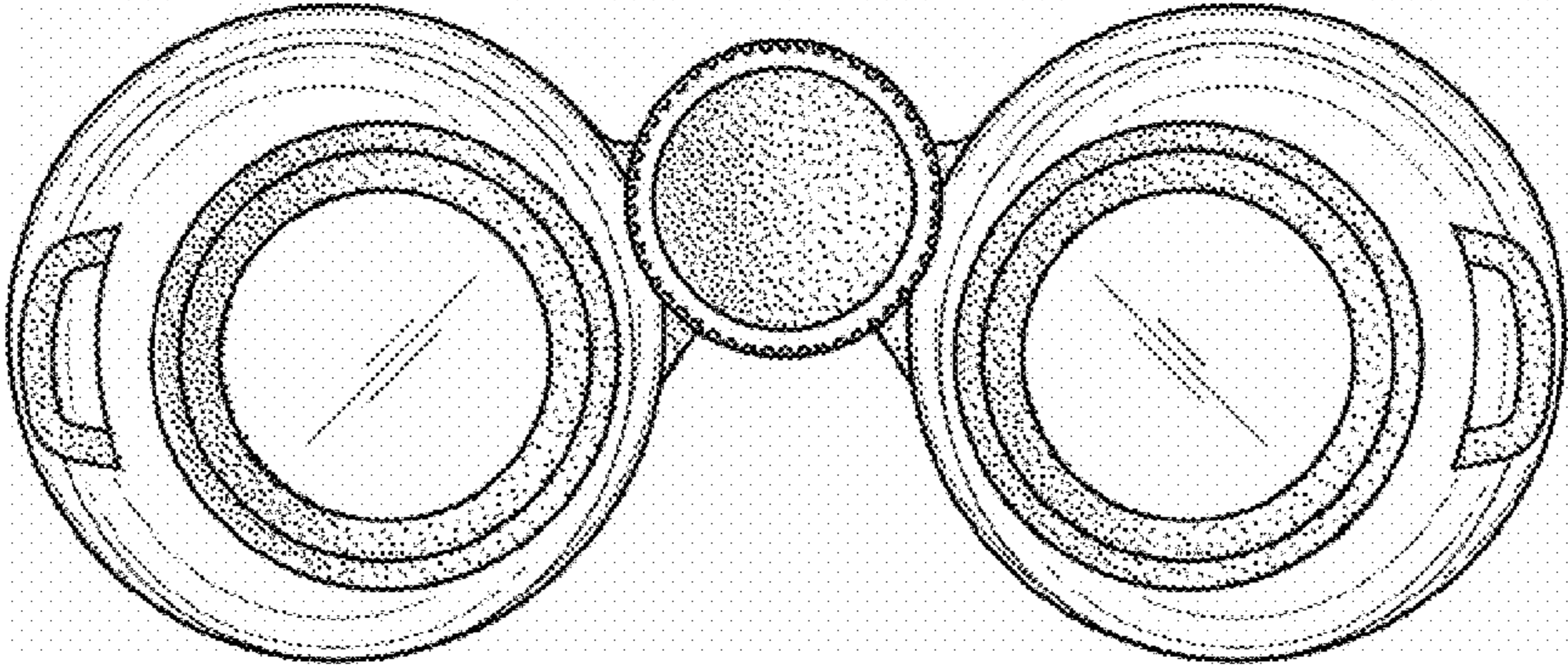


FIG. 12

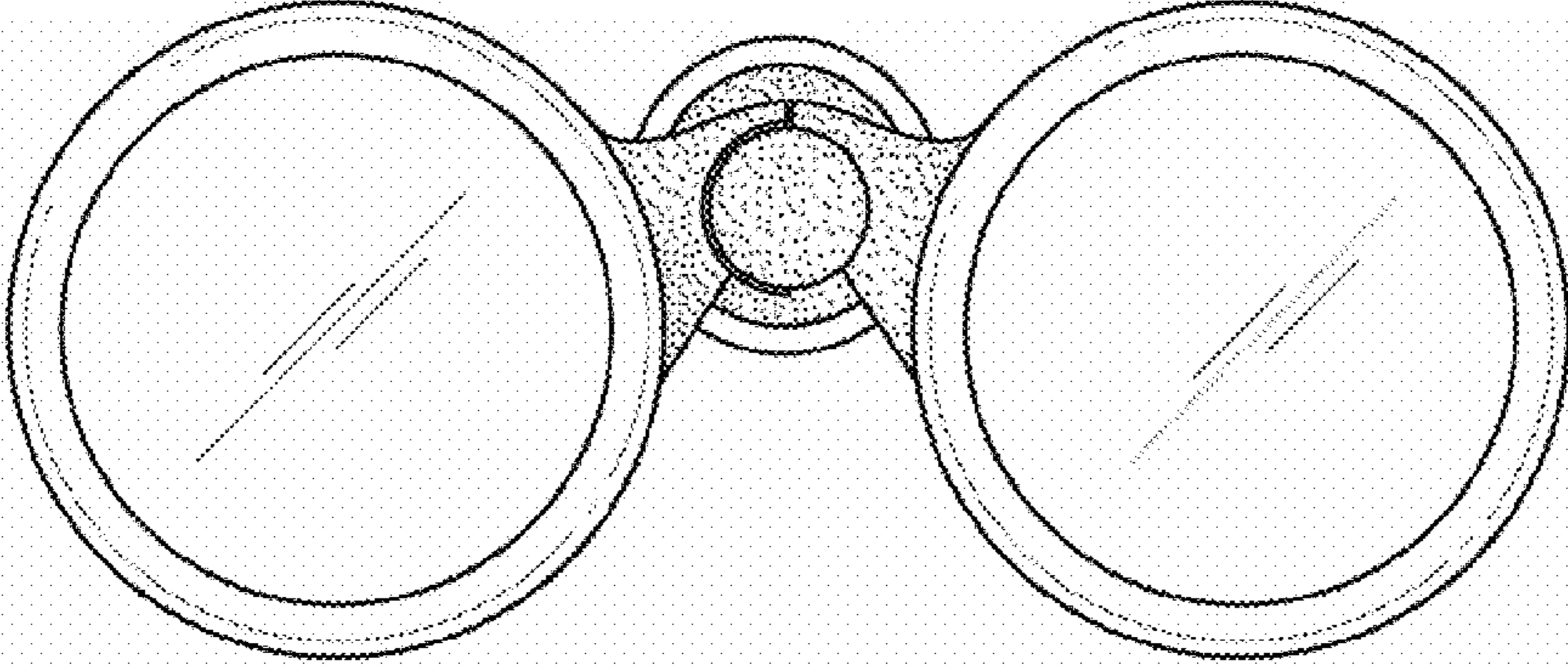


FIG. 13

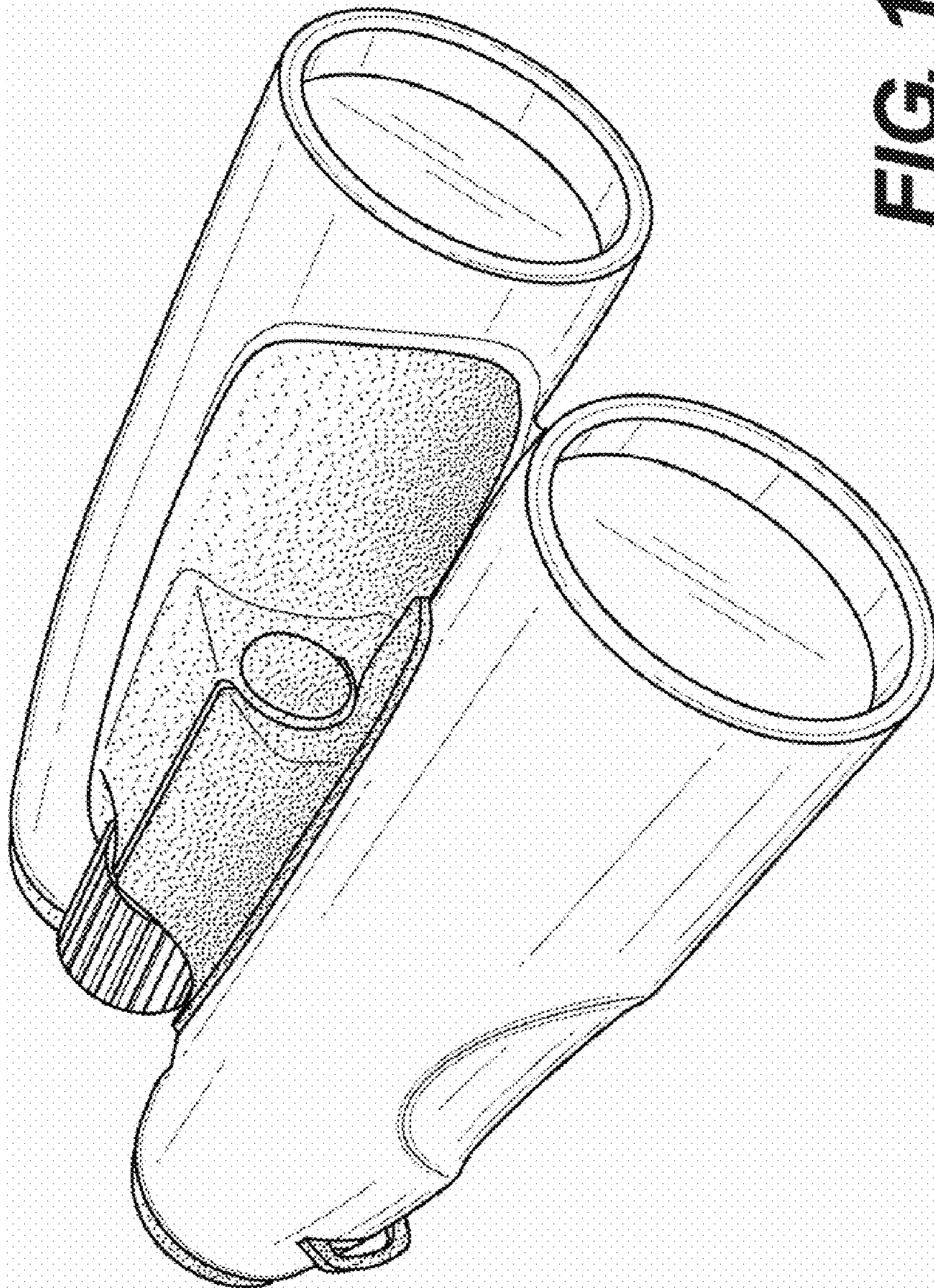


FIG. 14