



US00D652851S

(12) **United States Design Patent**
Kobayashi et al.

(10) **Patent No.:** **US D652,851 S**
(45) **Date of Patent:** **** *Jan. 24, 2012**

(54) **ROBOT HAND**

(75) Inventors: **Shoichi Kobayashi**, Osaka (JP); **Mizuho Sakakibara**, Osaka (JP)

(73) Assignee: **Panasonic Corporation**, Osaka (JP)

(*) Notice: This patent is subject to a terminal disclaimer.

(**) Term: **14 Years**

(21) Appl. No.: **29/358,417**

(22) Filed: **Mar. 26, 2010**

(30) **Foreign Application Priority Data**

Oct. 14, 2009 (JP) 2009-23981

(51) **LOC (9) Cl.** **15-99**

(52) **U.S. Cl.** **D15/199**

(58) **Field of Classification Search** D15/199;
D21/578, 593, 594, 621; 74/490.01, 490.02,
74/490.03, 490.05; 219/124.34, 639; 222/129,
222/129.3; 318/560, 568.12, 568.2; 446/268-274,
446/279, 280, 289-292, 298, 300, 353, 354,
446/376, 378-384; 700/99, 150, 264, 281
See application file for complete search history.

(56) **References Cited**

U.S. PATENT DOCUMENTS

2,682,806	A *	7/1954	Gordenier	359/817
D236,028	S *	7/1975	Schroeder	D16/135
D296,347	S *	6/1988	Kanoh	D21/578
5,091,832	A *	2/1992	Tortola et al.	362/109
5,325,280	A *	6/1994	Tortola et al.	362/234

D416,927	S *	11/1999	Jim	D16/135
6,139,245	A *	10/2000	Hofmeister	414/416.03
D470,161	S *	2/2003	Lee	D16/135
D543,470	S *	5/2007	Bhavnani	D10/2
D572,739	S *	7/2008	Jennings et al.	D15/199
D616,909	S *	6/2010	Long	D15/199
D622,747	S *	8/2010	Kobayashi et al.	D15/199
D625,748	S *	10/2010	Yoshino	D15/199
D627,376	S *	11/2010	Mizutani et al.	D15/199
D636,419	S *	4/2011	Nakagiri et al.	D15/199
D645,488	S *	9/2011	Miyake et al.	D15/199
2005/0217053	A1 *	10/2005	Kim et al.	15/250.21
2011/0120255	A1 *	5/2011	Chen et al.	74/490.06
2011/0154938	A1 *	6/2011	Liu et al.	74/490.05

* cited by examiner

Primary Examiner — Patricia Palasik

(74) *Attorney, Agent, or Firm* — Brinks Hofer Gilson & Lione

(57) **CLAIM**

We claim the ornamental design for a robot hand, as shown and described.

DESCRIPTION

FIG. 1 is a front perspective view of a robot hand of the present invention;
FIG. 2 is a front view thereof;
FIG. 3 is a rear view thereof;
FIG. 4 is a first side view thereof;
FIG. 5 is a second side view thereof;
FIG. 6 is a top view thereof; and,
FIG. 7 is a bottom view thereof.
The broken line showing of robot hand is included for the purpose of illustrating environment and forms no part of the claimed design.

1 Claim, 7 Drawing Sheets

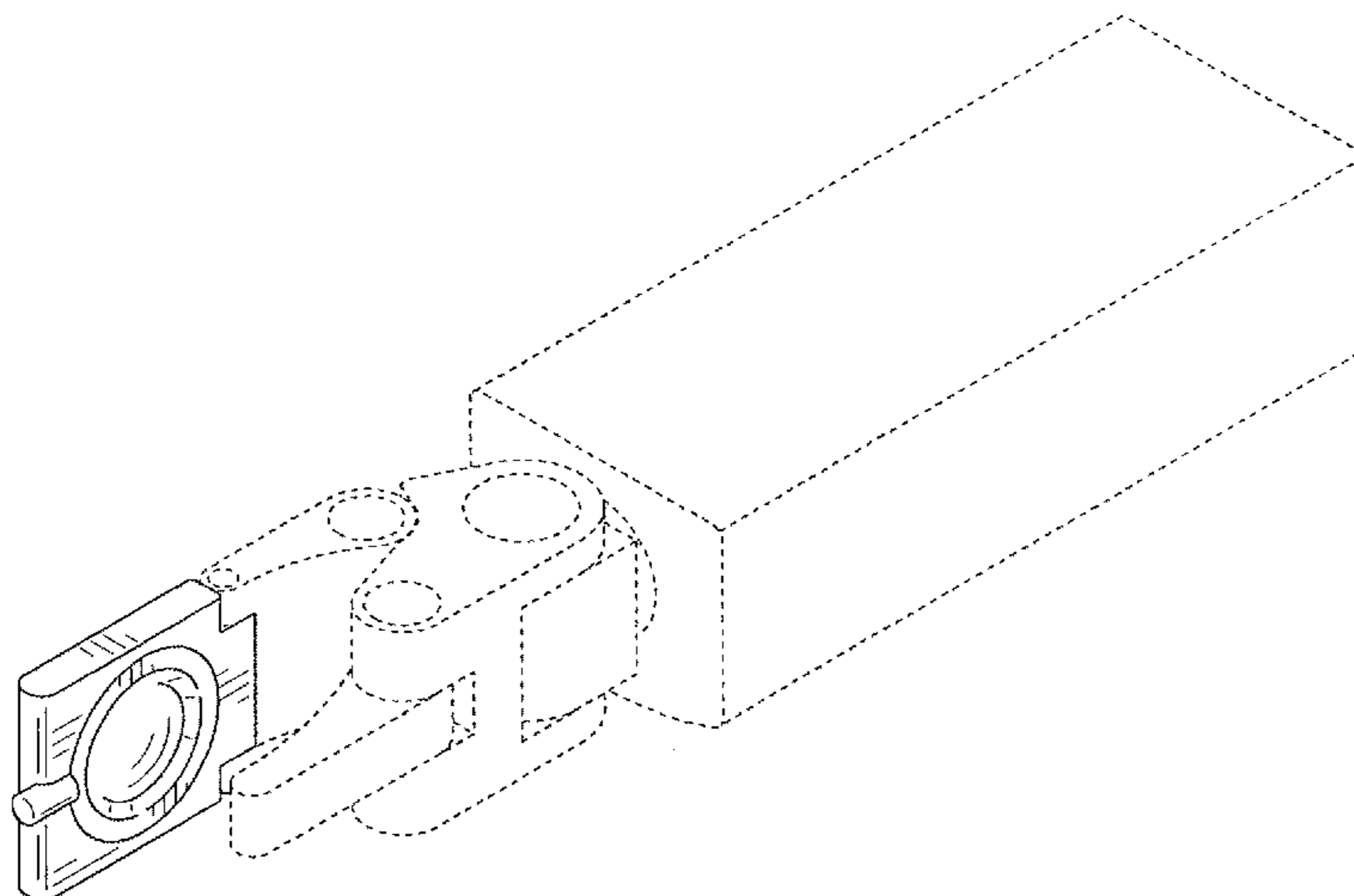


FIG.1

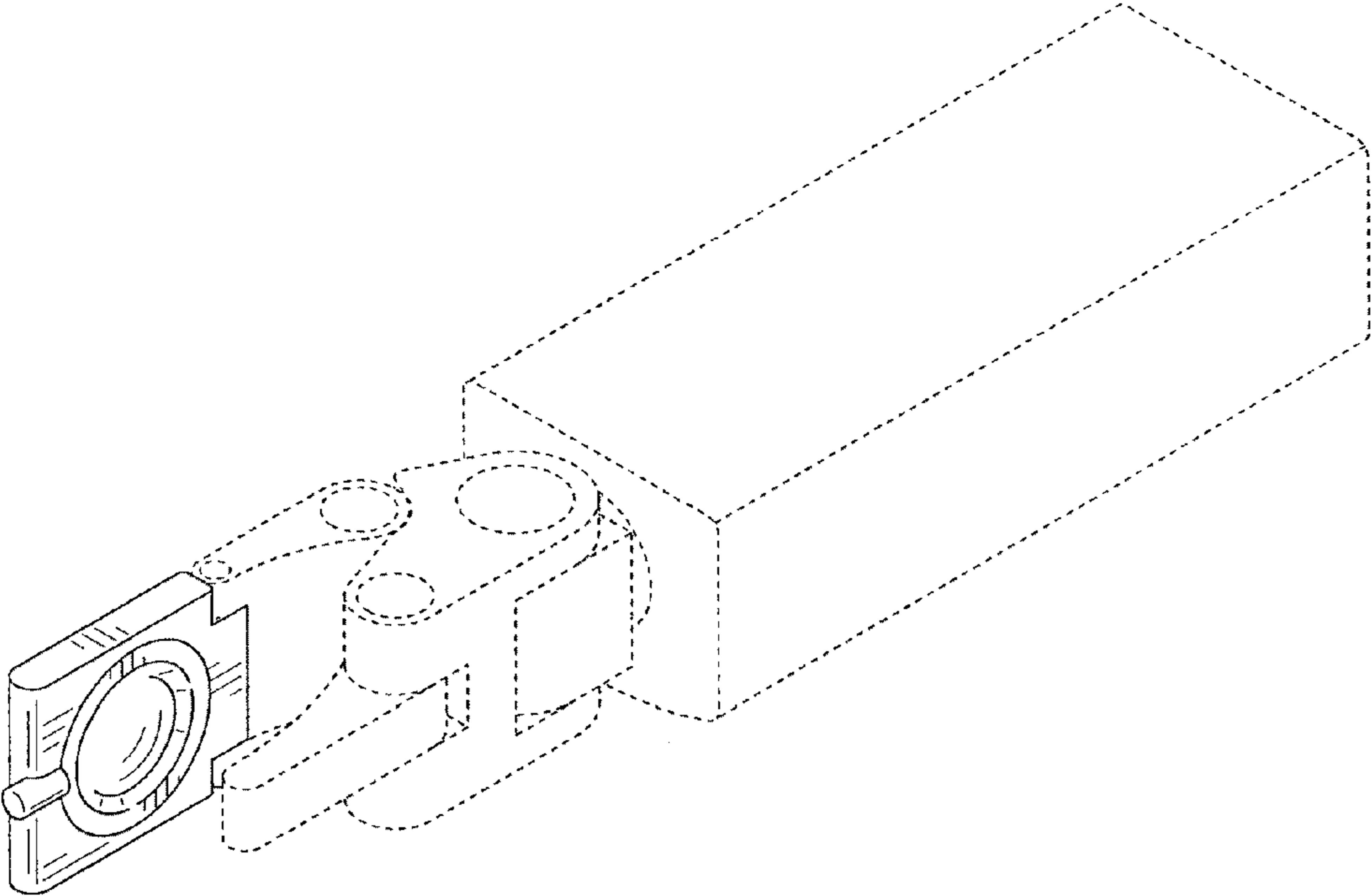


FIG.2

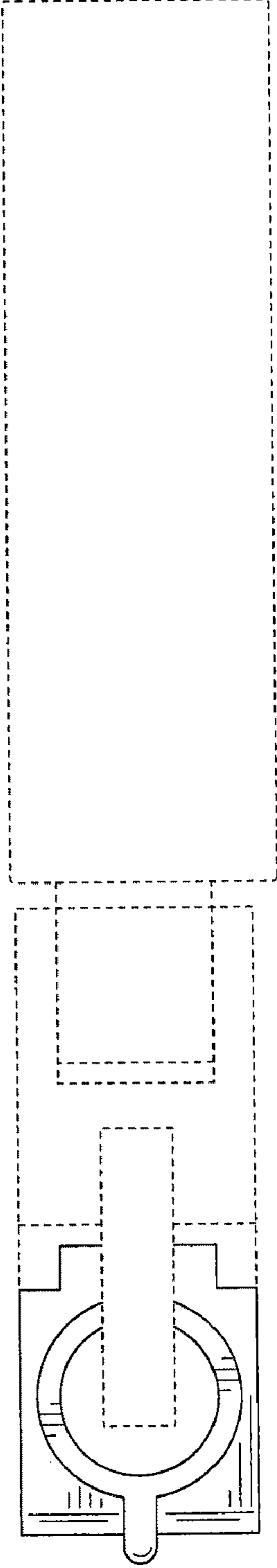


FIG.3

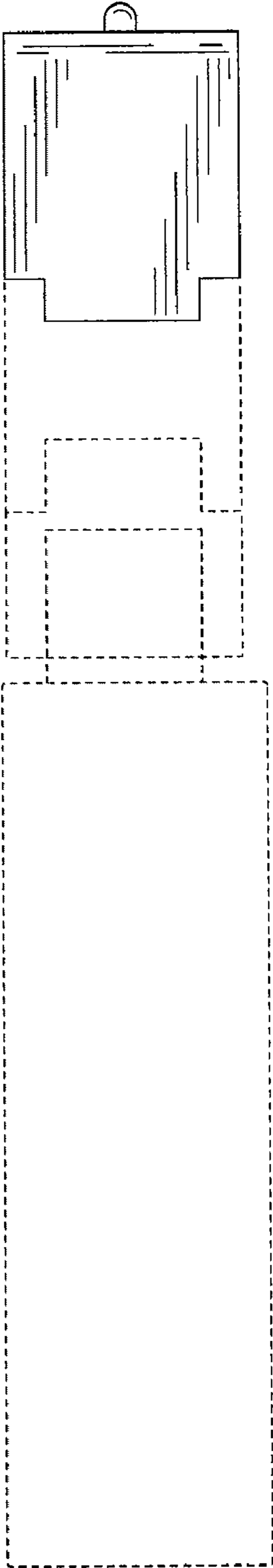


FIG.4

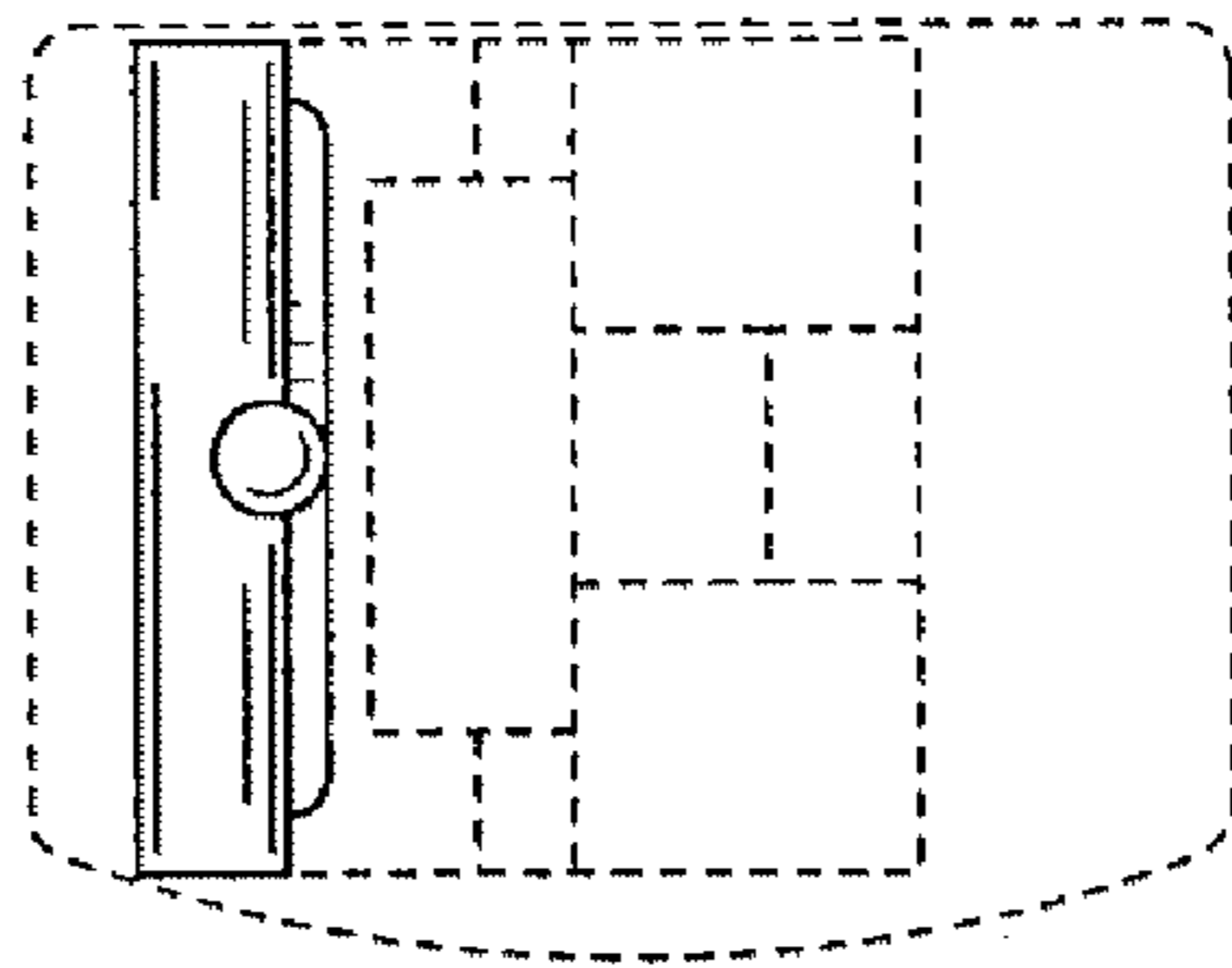


FIG.5

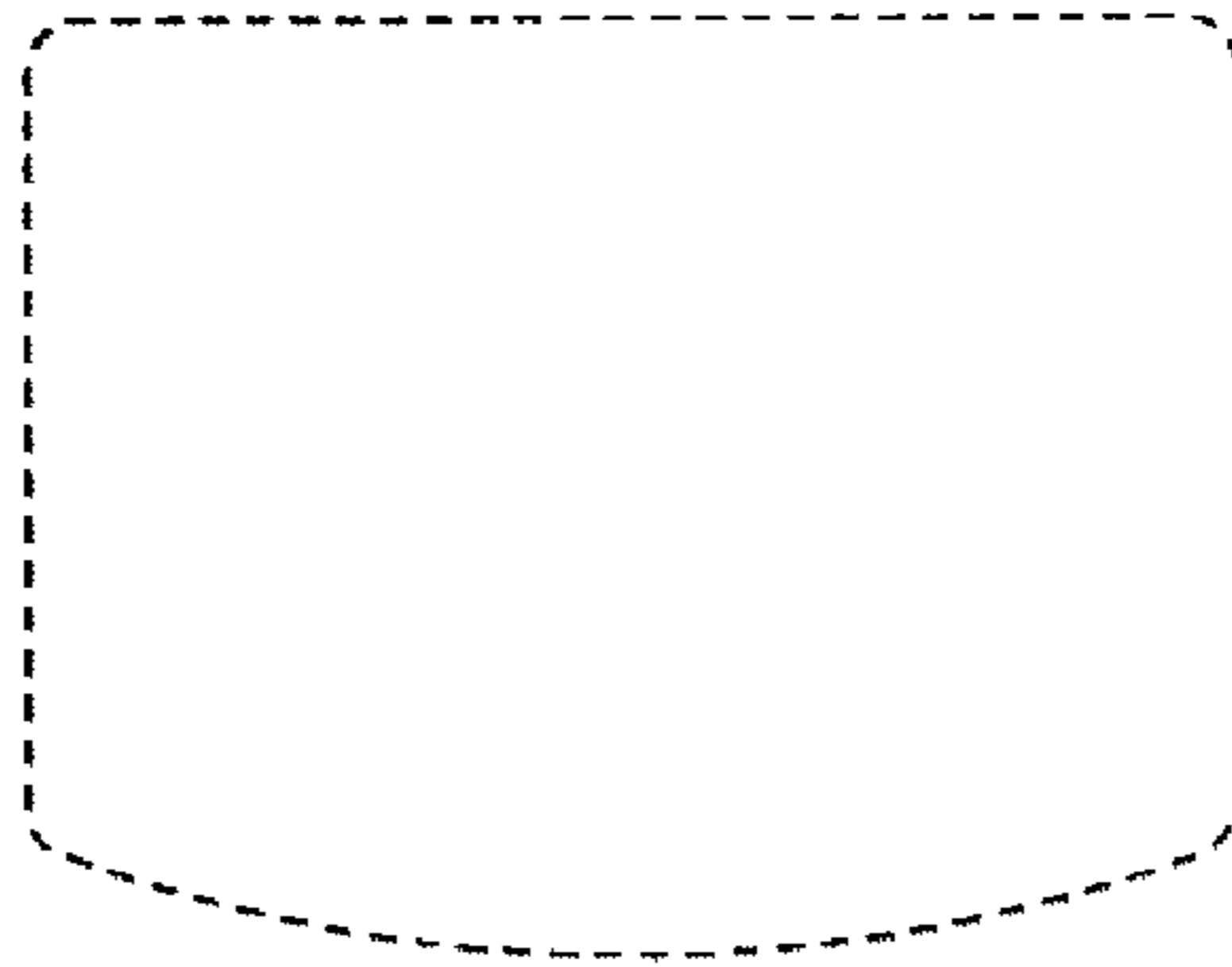


FIG.6

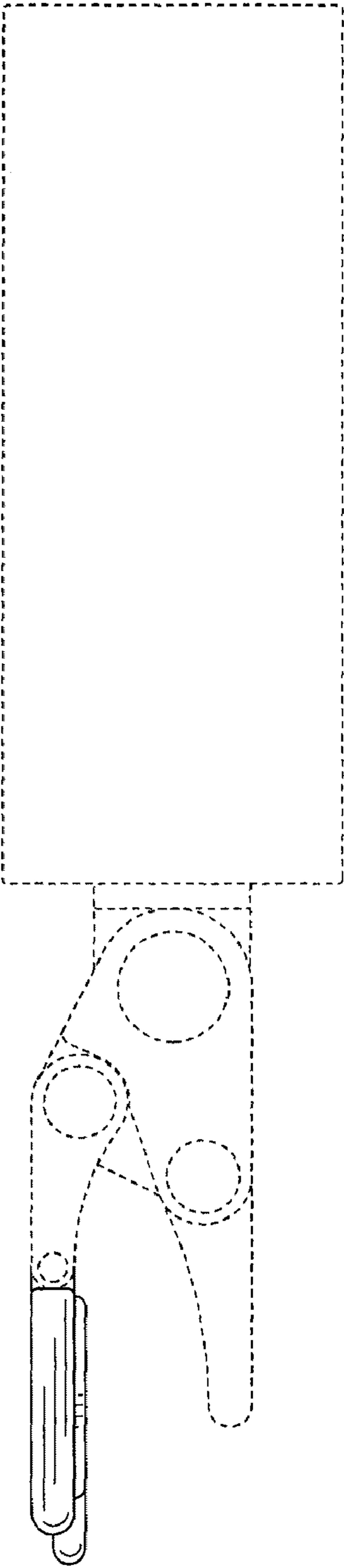


FIG. 7

