



US00D652849S

(12) **United States Design Patent**  
**Rice**

(10) **Patent No.:** **US D652,849 S**  
(45) **Date of Patent:** **\*\* Jan. 24, 2012**

(54) **FLUID MIXING BIT**

(76) Inventor: **Gina Lee Rice**, Vista, CA (US)

(\*\*) Term: **14 Years**

(21) Appl. No.: **29/398,639**

(22) Filed: **Aug. 2, 2011**

(51) **LOC (9) Cl.** ..... **15-09**

(52) **U.S. Cl.** ..... **D15/139**

(58) **Field of Classification Search** ..... D7/642,  
D7/648, 653; D8/70, 71; D15/138, 139,  
D15/147; D17/22, 99; 175/292, 296, 300,  
175/320, 385, 386, 414

See application file for complete search history.

(56) **References Cited**

**U.S. PATENT DOCUMENTS**

|           |     |        |         |          |
|-----------|-----|--------|---------|----------|
| 3,578,046 | A * | 5/1971 | Curran  | 81/461   |
| D383,516  | S * | 9/1997 | Stevens | D21/793  |
| D389,386  | S * | 1/1998 | Barrett | D8/70    |
| D397,596  | S * | 9/1998 | Morin   | D8/14    |
| D615,813  | S * | 5/2010 | Huynh   | D7/401.2 |

\* cited by examiner

*Primary Examiner* — Patricia Palasik

(74) *Attorney, Agent, or Firm* — QuickPatents, Inc.; Kevin Prince

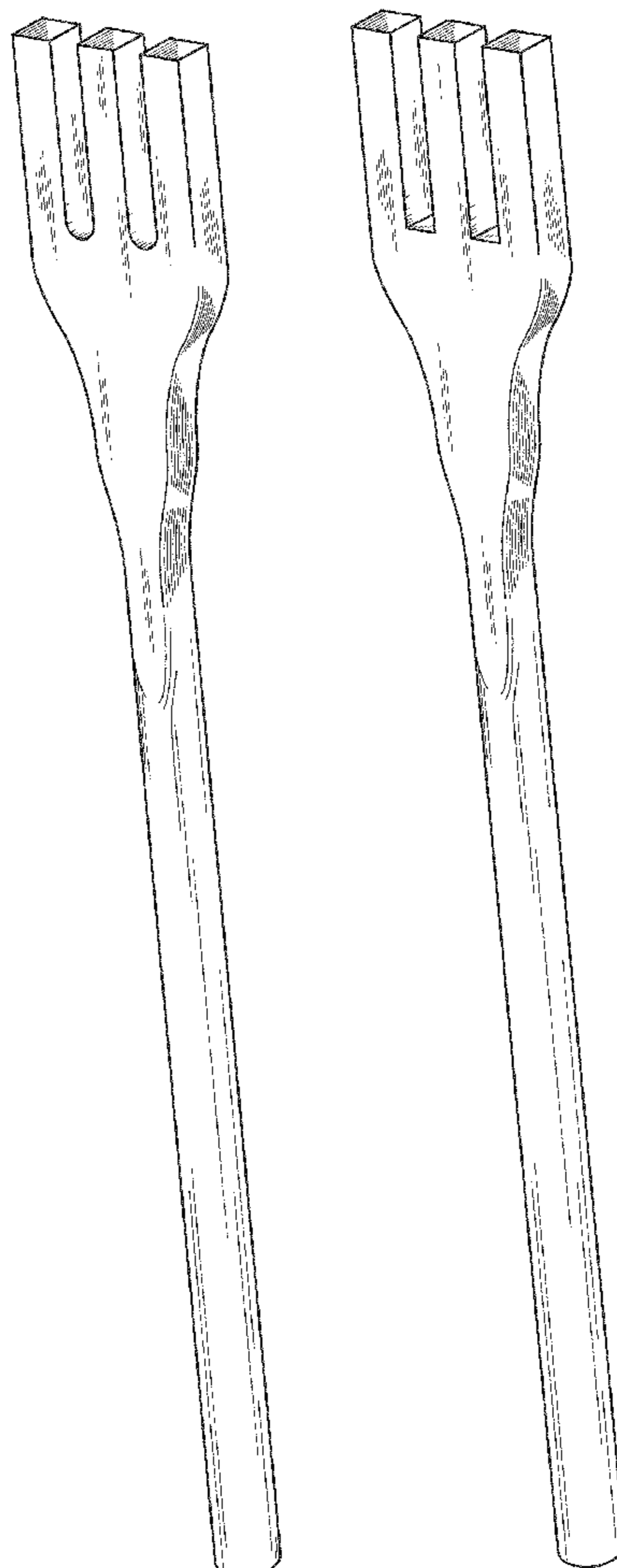
(57) **CLAIM**

I claim the ornamental design for a fluid mixing bit, as shown and described.

**DESCRIPTION**

FIG. 1 is a perspective view of a fluid mixing bit, showing a first embodiment of my new design;  
FIG. 2 is a front elevational view thereof, the rear elevational view being a mirror image thereof;  
FIG. 3 is a left-side elevational view thereof, the right-side elevational view being a mirror image thereof;  
FIG. 4 is a top plan view thereof;  
FIG. 5 is a bottom plan view thereof;  
FIG. 6 is a perspective view of a second embodiment;  
FIG. 7 is a front elevational view of FIG. 6, the bottom plan view being a mirror image thereof; and,  
FIG. 8 is a top plan view of FIG. 6.  
The side elevational view and bottom plan view of both embodiments are understood to be identical.

**1 Claim, 3 Drawing Sheets**



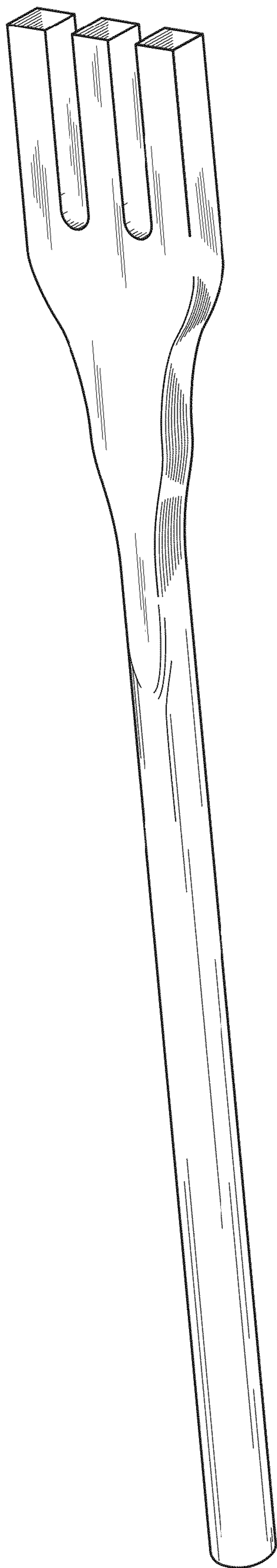


FIG. 1

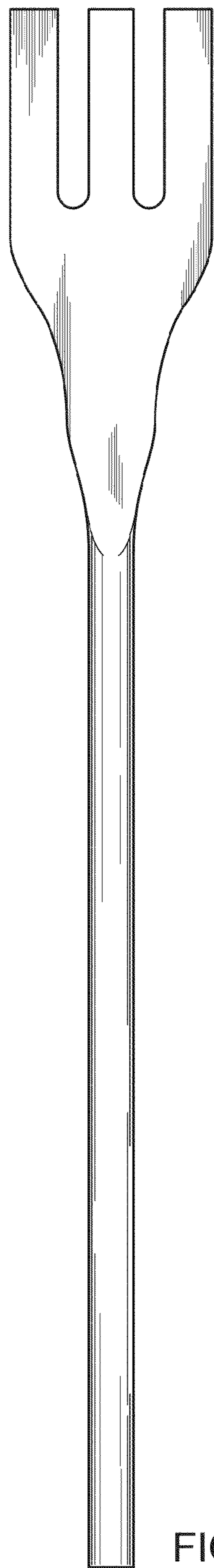


FIG. 2

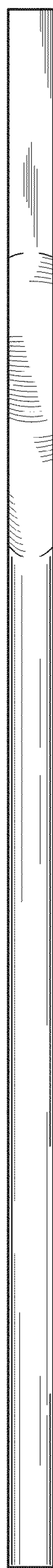


FIG. 3



FIG. 4



FIG. 5

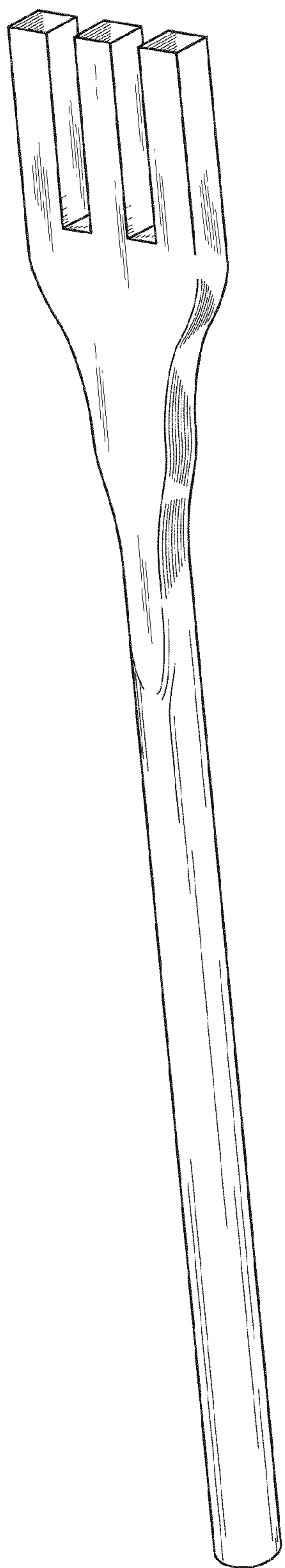


FIG. 6

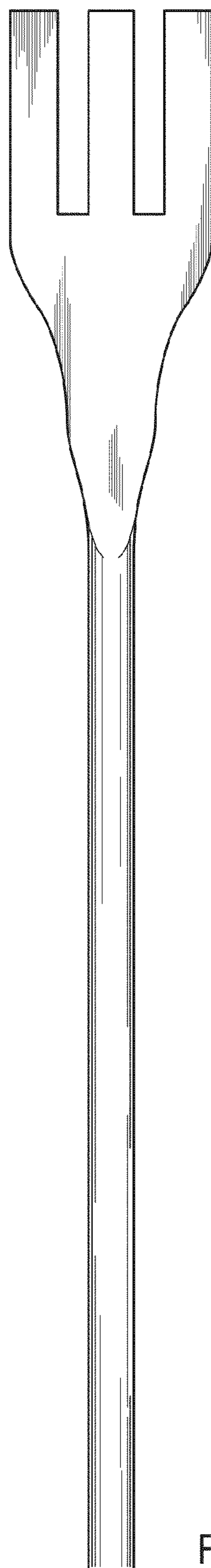


FIG. 7

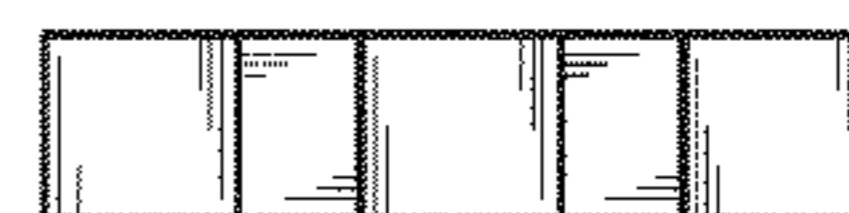


FIG. 8