



US00D652847S

(12) **United States Design Patent**
Bartl

(10) **Patent No.:** **US D652,847 S**

(45) **Date of Patent:** **** Jan. 24, 2012**

(54) **COMPACTION MACHINE UPPER MASS FRAME**

(75) Inventor: **Andreas Bartl**, Munich (DE)

(73) Assignee: **Wacker Neuson GmbH & Co. KG**, Munich (DE)

(**) Term: **14 Years**

(21) Appl. No.: **29/391,231**

(22) Filed: **May 5, 2011**

6,551,022	B1 *	4/2003	Stayner	404/133.1
6,588,977	B1 *	7/2003	Stayner	404/133.1
D517,094	S *	3/2006	Stein et al.	D15/20
D518,070	S *	3/2006	Schennach	D15/20
7,303,356	B2 *	12/2007	Schennach et al.	404/133.1
D604,334	S *	11/2009	Hu	D15/20
D604,335	S *	11/2009	Hu	D15/20
D615,104	S *	5/2010	Loew et al.	D15/20
D615,997	S *	5/2010	Loew et al.	D15/20
D631,896	S *	2/2011	Spies	D15/20
D633,531	S *	3/2011	von Richthofen	D15/20
D638,861	S *	5/2011	Bartl	D15/20
2006/0083590	A1 *	4/2006	Schennach et al.	404/133.1
2008/0003058	A1 *	1/2008	Persson et al.	404/133.1
2008/0247824	A1 *	10/2008	Steffen	404/133.05
2009/0035065	A1 *	2/2009	Gavins	404/114

* cited by examiner

Related U.S. Application Data

(63) Continuation-in-part of application No. 29/366,034, filed on Jul. 19, 2010, now Pat. No. Des. 638,861.

(51) **LOC (9) Cl.** **15-03**

(52) **U.S. Cl.** **D15/20**

(58) **Field of Classification Search** D15/10, D15/20, 33, 147; 404/113, 133.1, 133.05, 404/114, 117; 74/61; 173/113, 118; 172/699; 56/11.3

See application file for complete search history.

Primary Examiner — Mark Goodwin

(74) *Attorney, Agent, or Firm* — Boyle Fredrickson, S.C.

(57) **CLAIM**

The ornamental design for a compaction machine upper mass frame, as shown and described.

DESCRIPTION

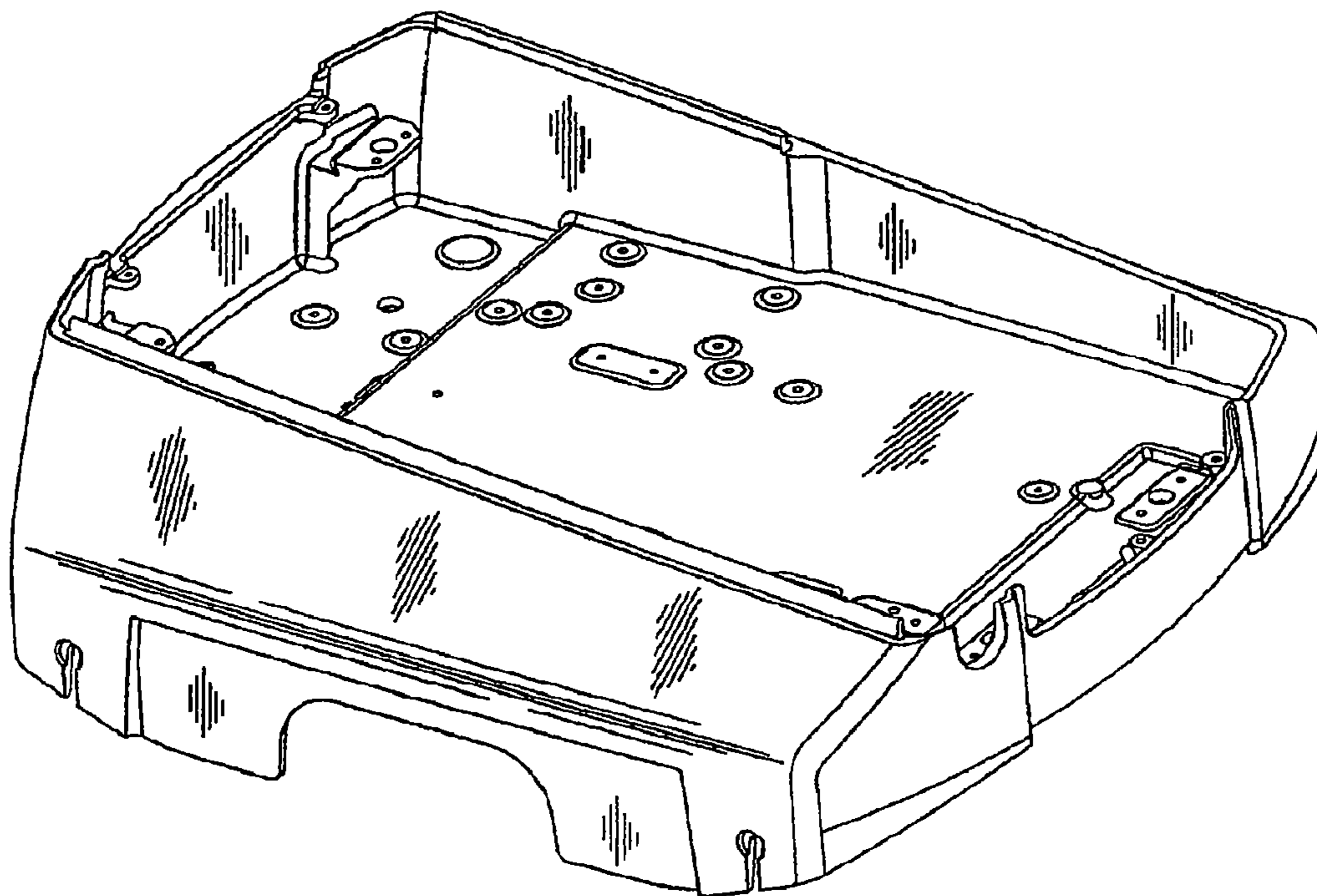
FIG. 1 is top front right isometric view of a compaction machine upper mass frame showing my new design; FIG. 2 is a left side elevation view thereof; FIG. 3 is a right side elevation view thereof; FIG. 4 is a front elevation view thereof; FIG. 5 is a rear elevation view thereof; FIG. 6 is a top plan view thereof; and, FIG. 7 is a bottom plan view thereof.

1 Claim, 5 Drawing Sheets

(56) **References Cited**

U.S. PATENT DOCUMENTS

D183,297	S *	8/1958	Brown	D15/20
D197,360	S *	1/1964	Frohnauer, Jr.	D15/20
D227,166	S *	6/1973	Briggs et al.	D15/20
D227,598	S *	7/1973	Maass	D15/20
D235,374	S *	6/1975	Aiello	D15/20
D240,336	S *	6/1976	Maass	D15/20
D393,864	S *	4/1998	Waldenberger et al.	D15/20



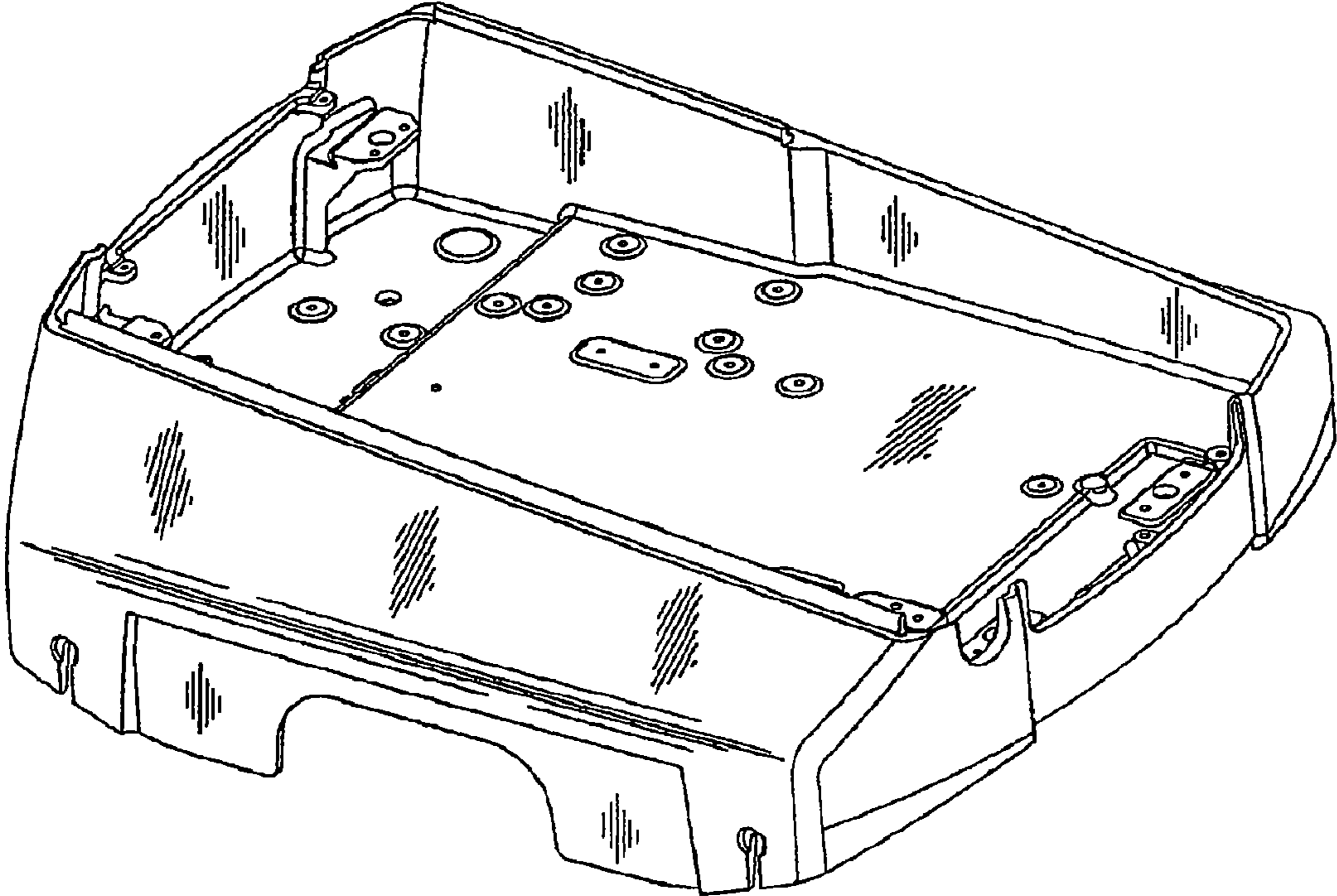


FIG. 1

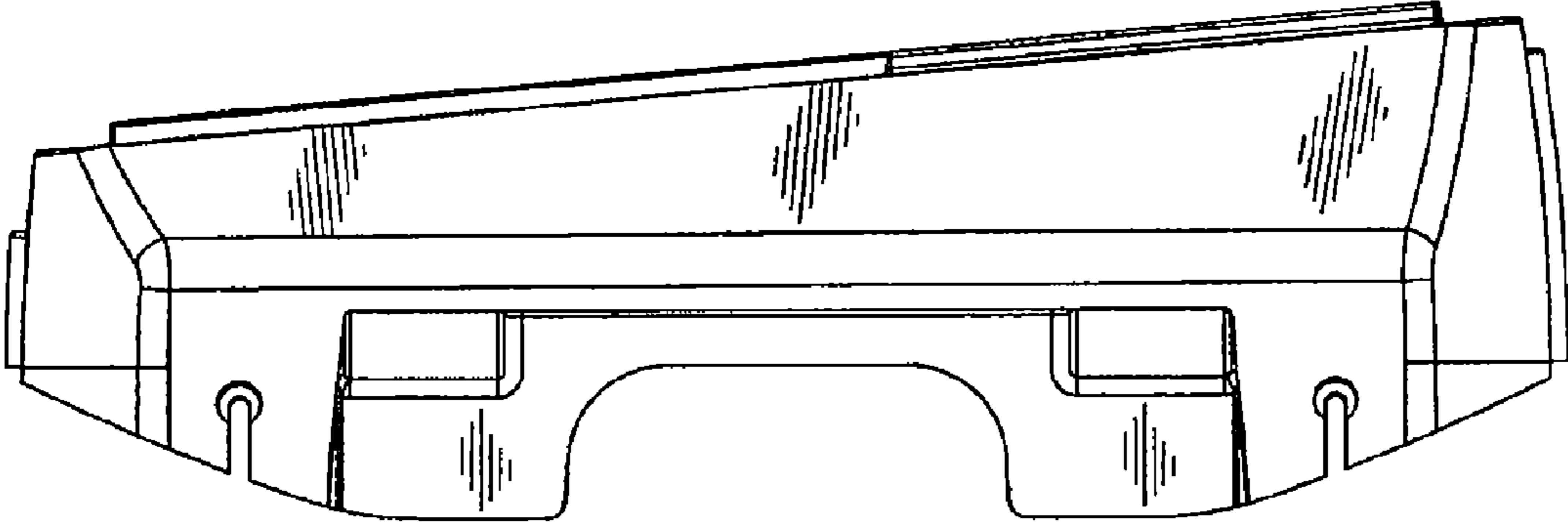


FIG. 2

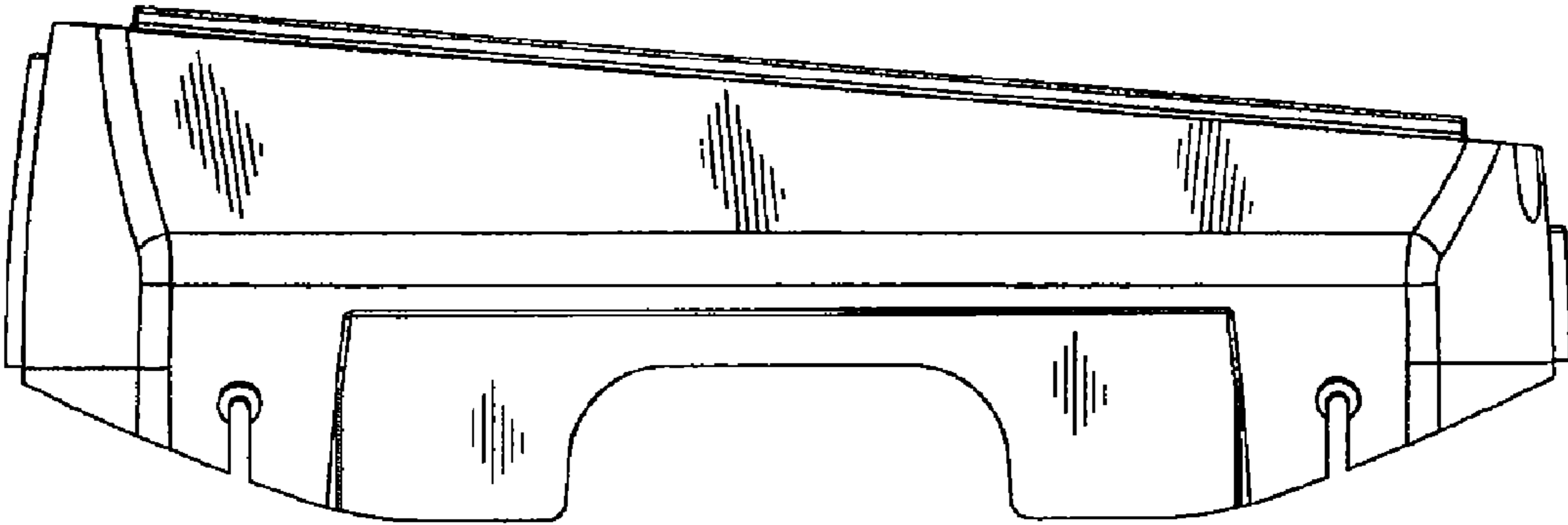


FIG. 3

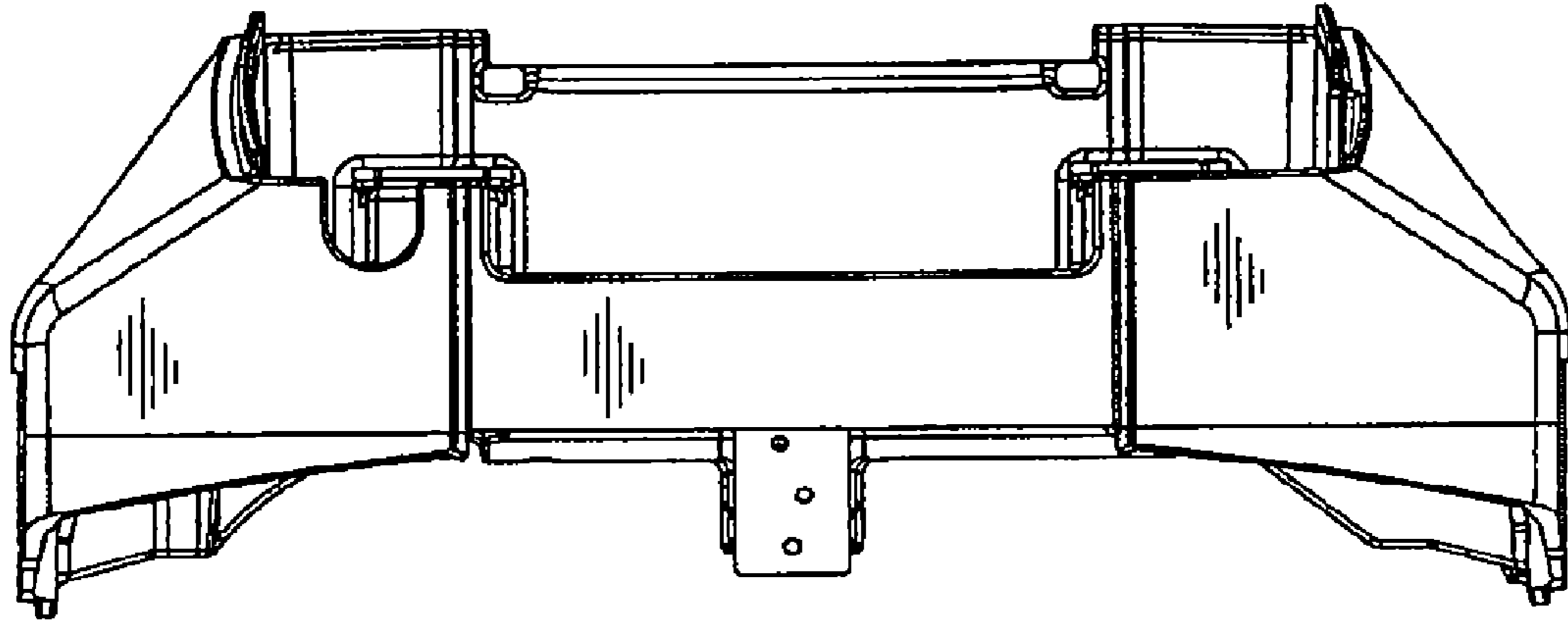


FIG. 4

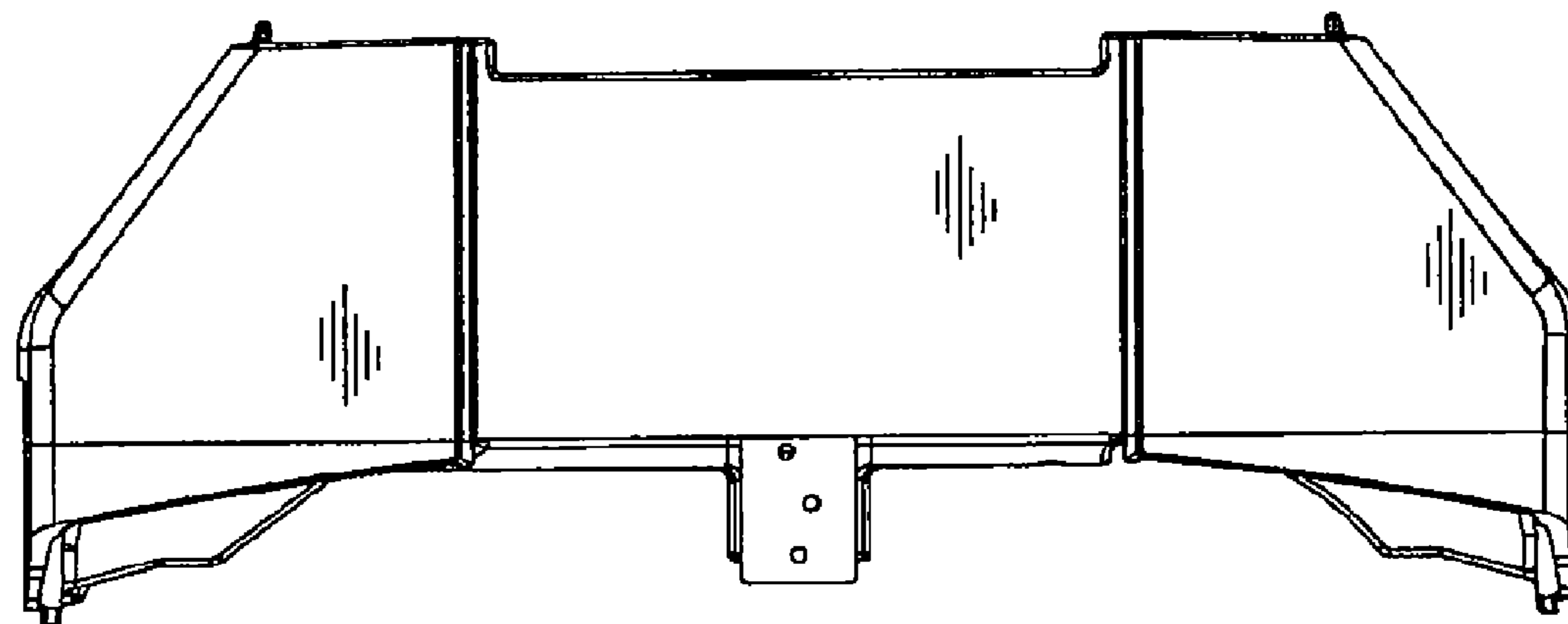


FIG. 5

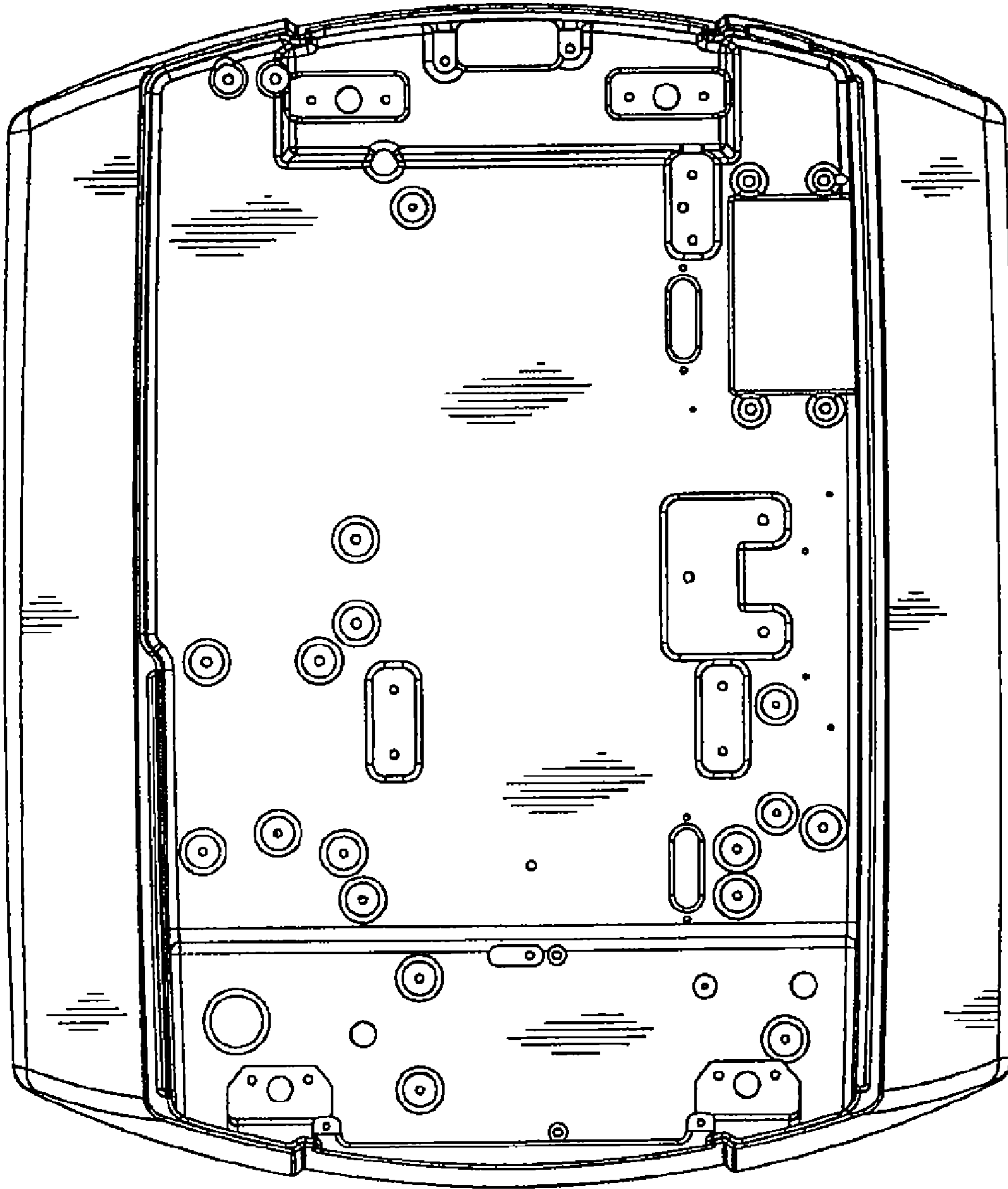


FIG. 6

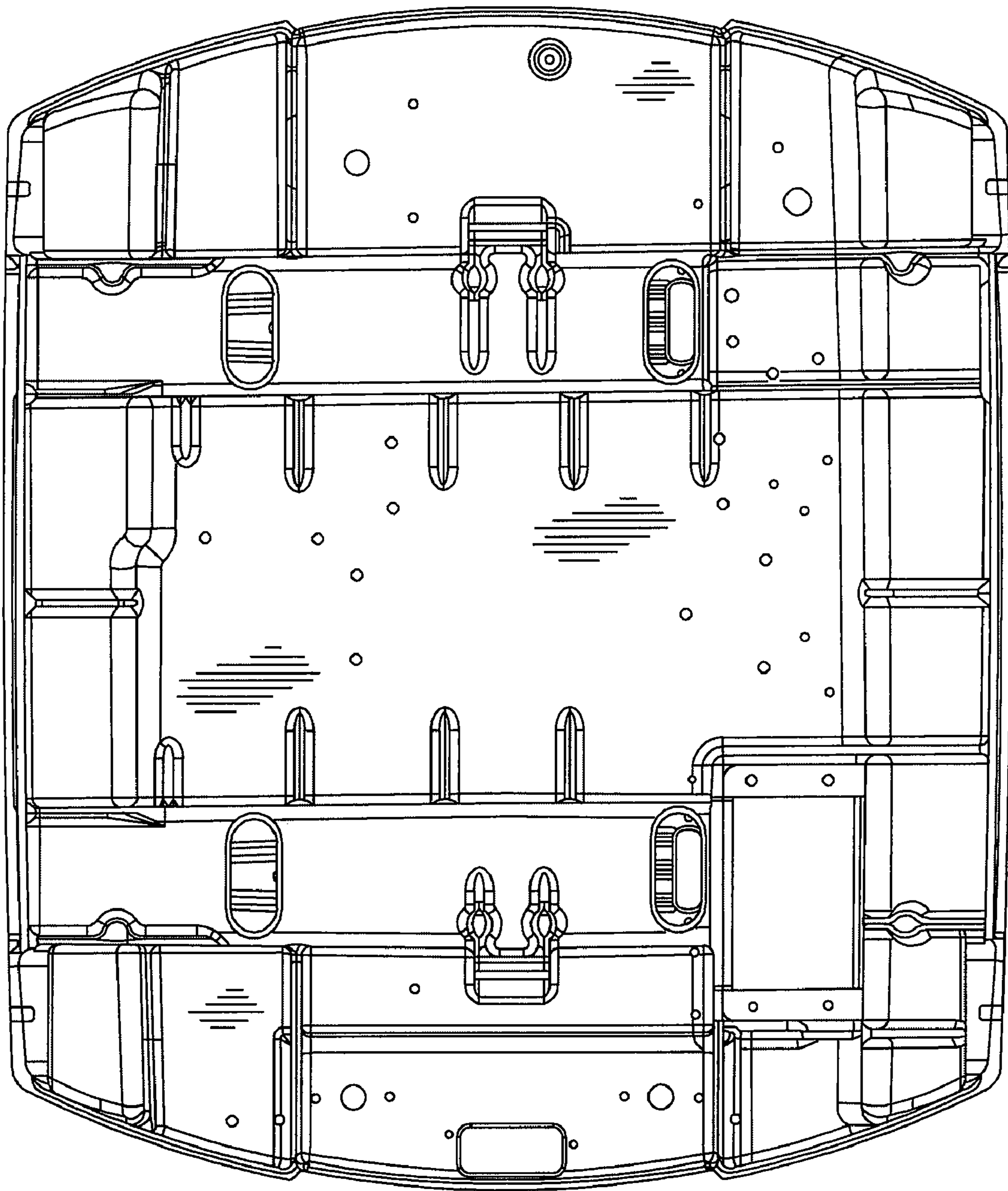


FIG. 7

UNITED STATES PATENT AND TRADEMARK OFFICE
CERTIFICATE OF CORRECTION

PATENT NO. : D652,847 S
APPLICATION NO. : 29/391231
DATED : January 24, 2012
INVENTOR(S) : Bartl

Page 1 of 1

It is certified that error appears in the above-identified patent and that said Letters Patent is hereby corrected as shown below:

ON THE TITLE PAGE, ITEM:

(73) Assignee: should read:

-- Wacker Neuson Produktion GmbH & Co. KG --.

Signed and Sealed this
Twenty-ninth Day of October, 2013



Teresa Stanek Rea
Deputy Director of the United States Patent and Trademark Office