



US00D652846S

(12) **United States Design Patent**  
**Stratford et al.**

(10) **Patent No.:** **US D652,846 S**  
(45) **Date of Patent:** **\*\* Jan. 24, 2012**

(54) **LAWNMOWER**

(75) Inventors: **Mark Stratford**, Darlington (GB);  
**Mark Baxter**, Newcastle Upon Tyne  
(GB)

(73) Assignee: **Black & Decker Inc.**, Newark, DE (US)

(\*\*) Term: **14 Years**

(21) Appl. No.: **29/396,358**

(22) Filed: **Jun. 29, 2011**

(30) **Foreign Application Priority Data**

Jan. 4, 2011 (EM) ..... 001253173-0001

(51) **LOC (9) Cl.** ..... **15-03**

(52) **U.S. Cl.** ..... **D15/14**

(58) **Field of Classification Search** ..... D15/10,  
D15/14-18; 56/12.8, 12.7, 13.4, 16.7, 17.5,  
56/202, 254, 255, 294, 11.4, 320.1, 320.2,  
56/249, 252, 11.9, 17.1, 17.4, 295; 280/43.17  
See application file for complete search history.

(56) **References Cited**

**U.S. PATENT DOCUMENTS**

4,312,174	A *	1/1982	Vanderhoef	.....	56/320.2
D274,250	S *	6/1984	Allen et al.	.....	D15/14
D276,047	S *	10/1984	Sasaki	.....	D15/14
D307,911	S *	5/1990	Miyawaki et al.	.....	D15/14
D317,165	S *	5/1991	Schweitz et al.	.....	D15/14
D319,447	S *	8/1991	Oshima et al.	.....	D15/14
D330,210	S *	10/1992	Sirois et al.	.....	D15/14
5,251,711	A *	10/1993	Meyer et al.	.....	180/19.1
D381,665	S *	7/1997	Hinklin et al.	.....	15/14

D384,083	S *	9/1997	Hinklin	.....	D15/14
5,676,117	A *	10/1997	Williams	.....	123/527
D421,265	S *	2/2000	Ohsumi et al.	.....	D15/14
D449,840	S *	10/2001	Concari et al.	.....	D15/14
D450,064	S *	11/2001	Concari et al.	.....	D15/14
D456,030	S *	4/2002	Maeda	.....	D15/14
D458,277	S *	6/2002	Stratford	.....	D15/14
D460,973	S *	7/2002	Jong	.....	D15/14
D461,830	S *	8/2002	Stratford et al.	.....	D15/14
D489,734	S *	5/2004	Lin	.....	D15/14
D497,918	S *	11/2004	Osborne et al.	.....	D15/14
D500,054	S *	12/2004	Jager	.....	D15/14
RE39,338	E *	10/2006	Stratford	.....	15/14
D610,167	S *	2/2010	Martin et al.	.....	D15/14
D622,291	S *	8/2010	Martin et al.	.....	D15/14

\* cited by examiner

*Primary Examiner* — Mark Goodwin

(74) *Attorney, Agent, or Firm* — John Yun

(57) **CLAIM**

The ornamental design for a lawnmower, as shown and described.

**DESCRIPTION**

FIG. 1 is a perspective view of a lawnmower showing my new design.

FIG. 2 is a left view thereof;

FIG. 3 is a right view thereof;

FIG. 4 is a front view thereof;

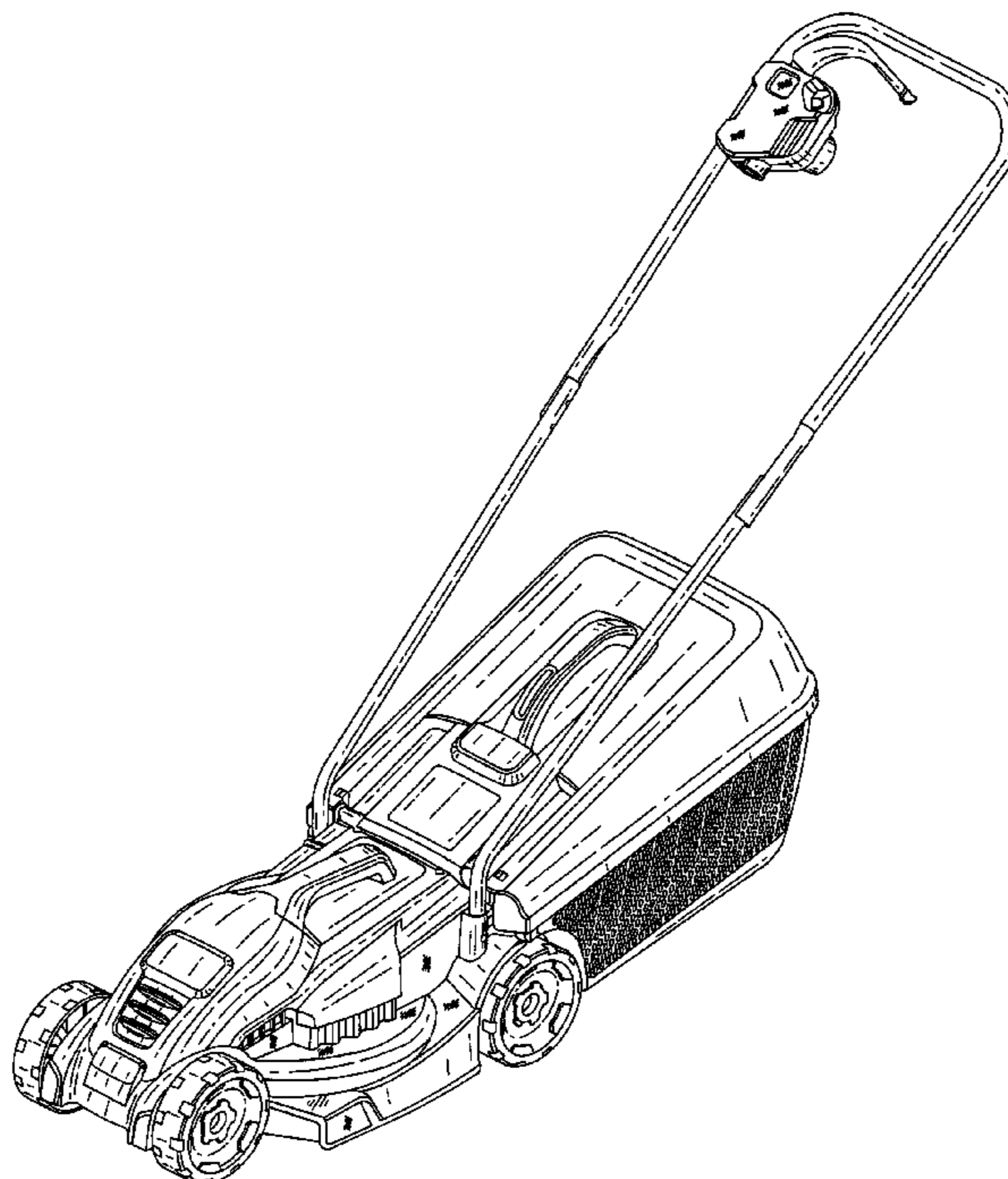
FIG. 5 is a rear view thereof

FIG. 6 is a top plan view thereof; and,

FIG. 7 is a bottom plan view thereof.

The broken lines showing in FIG. 7 is included for the purpose of illustrating portions of a lawnmower and forms no part of the claimed design.

**1 Claim, 6 Drawing Sheets**



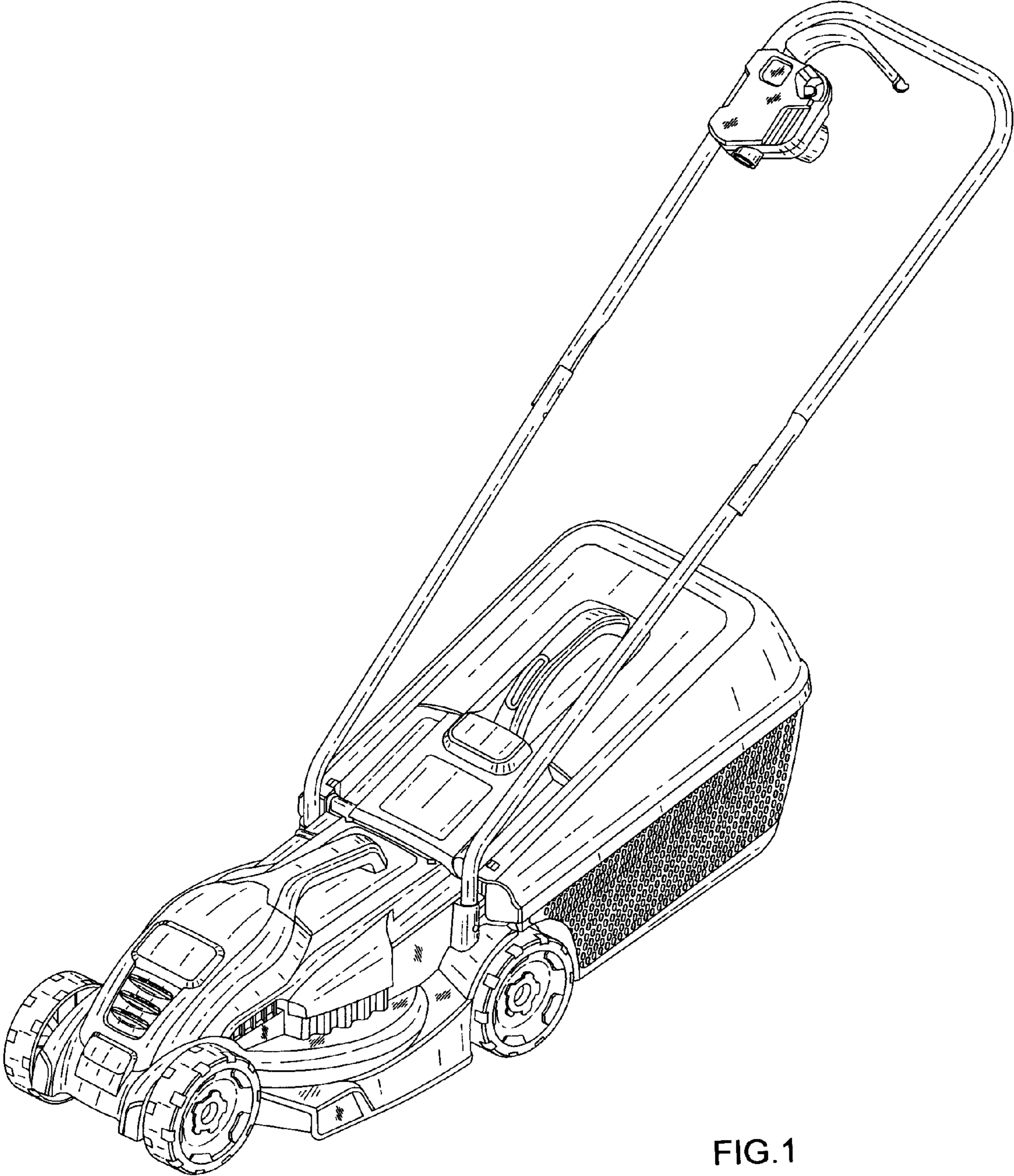


FIG. 1



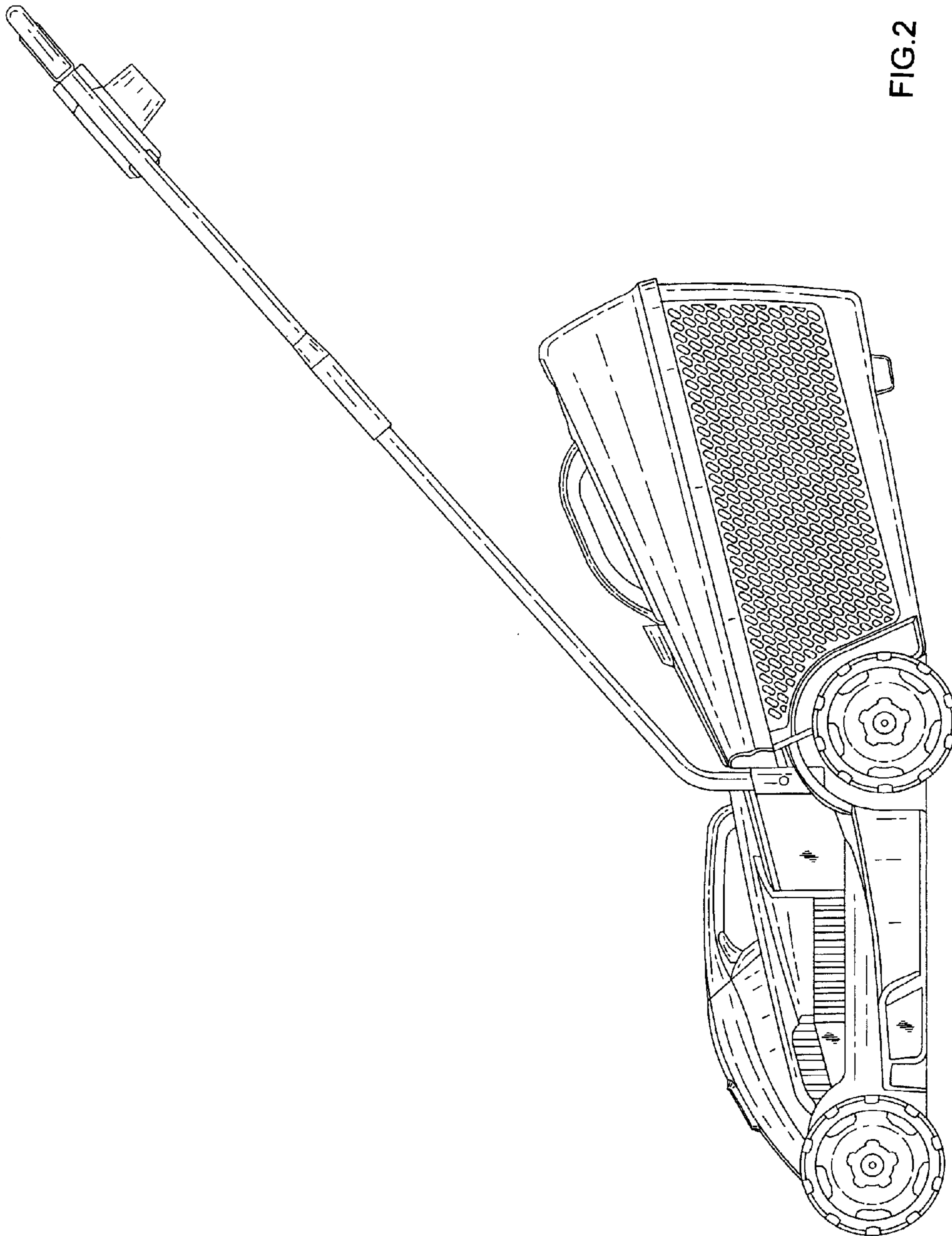


FIG.2

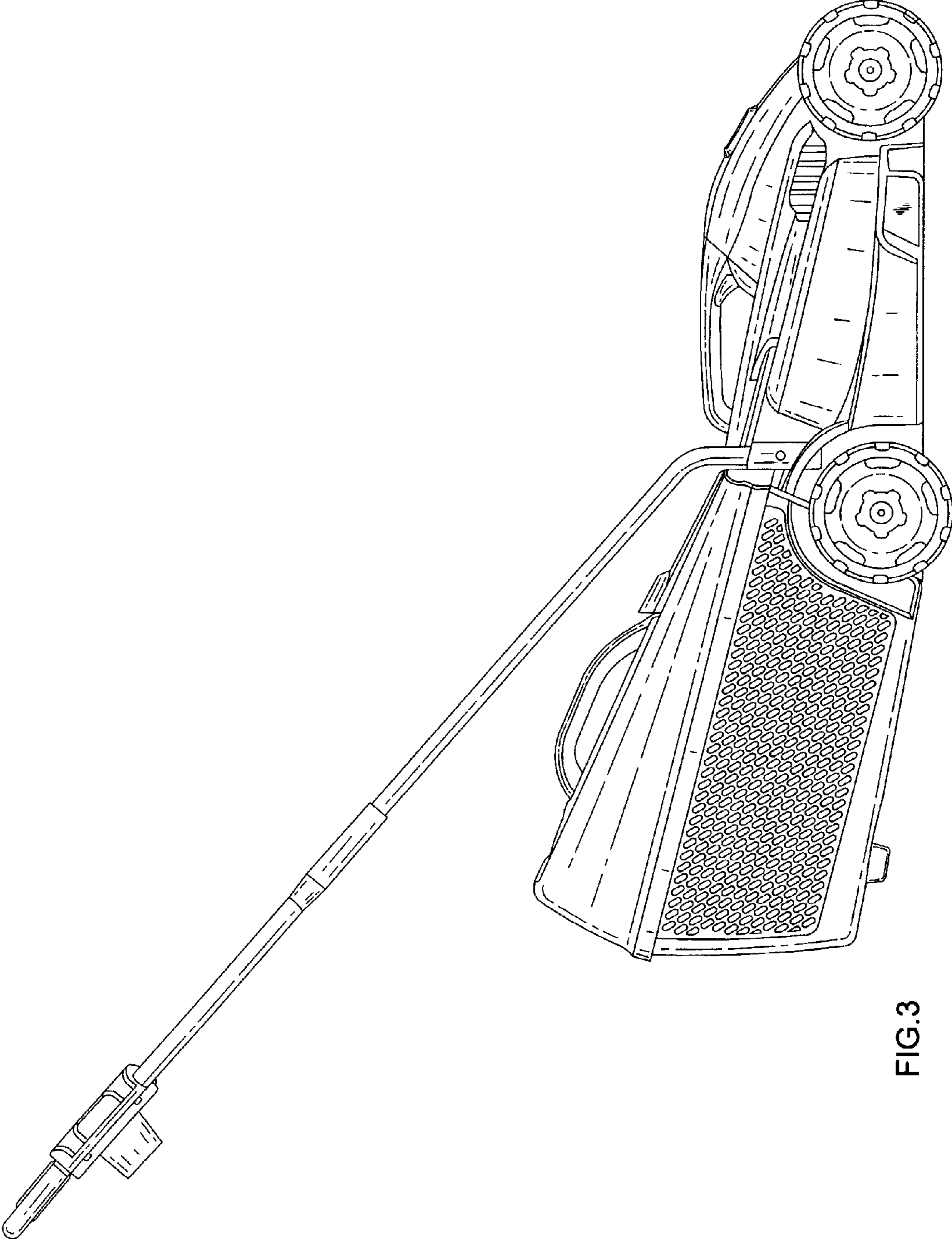


FIG.3

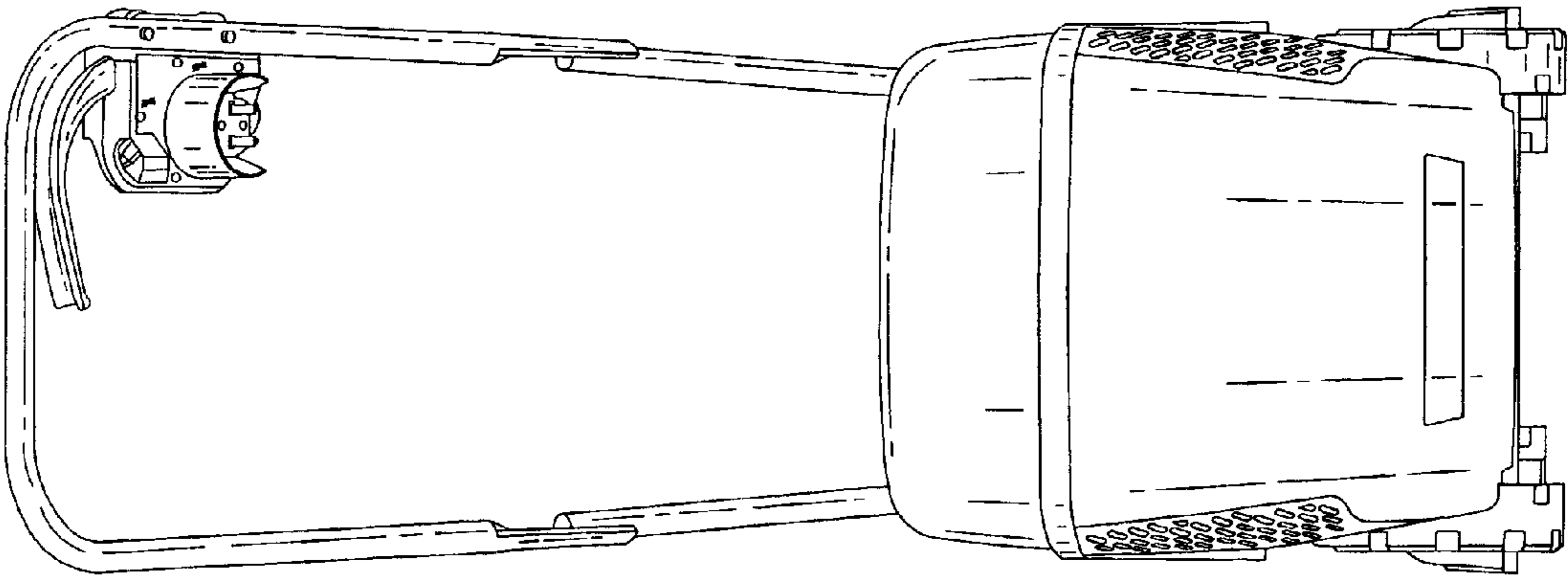


FIG. 5

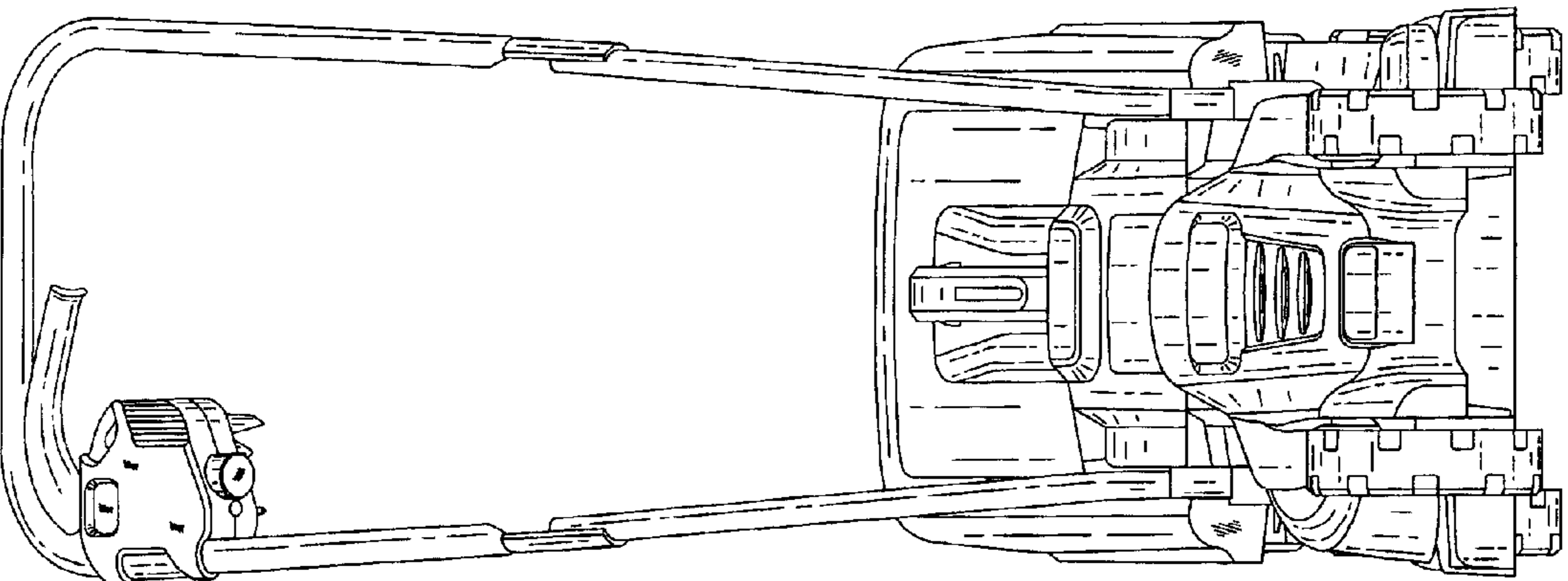


FIG. 4

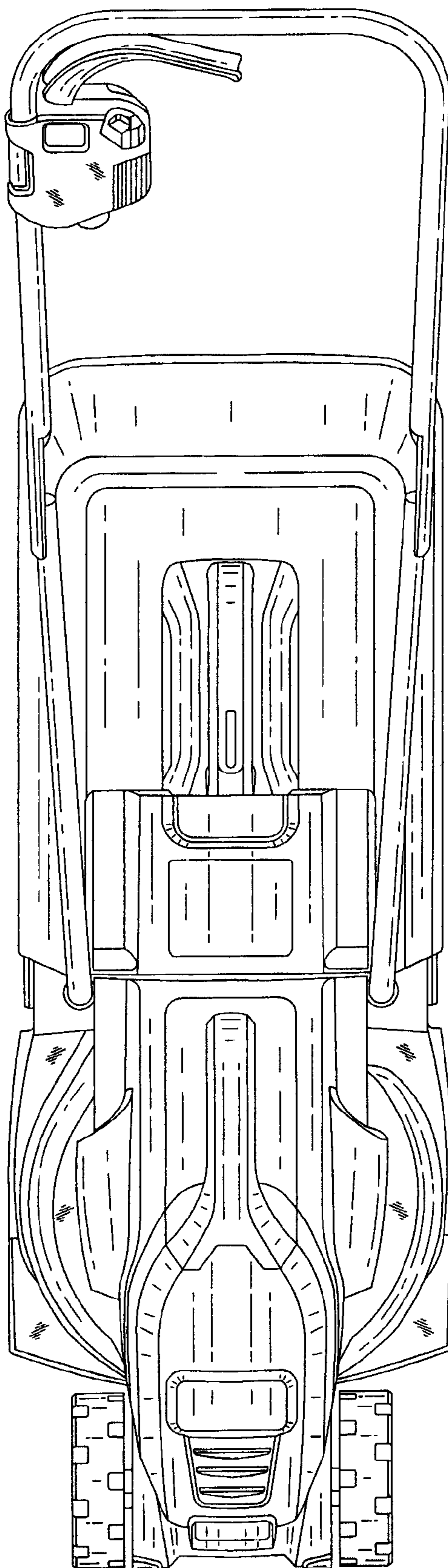


FIG.6



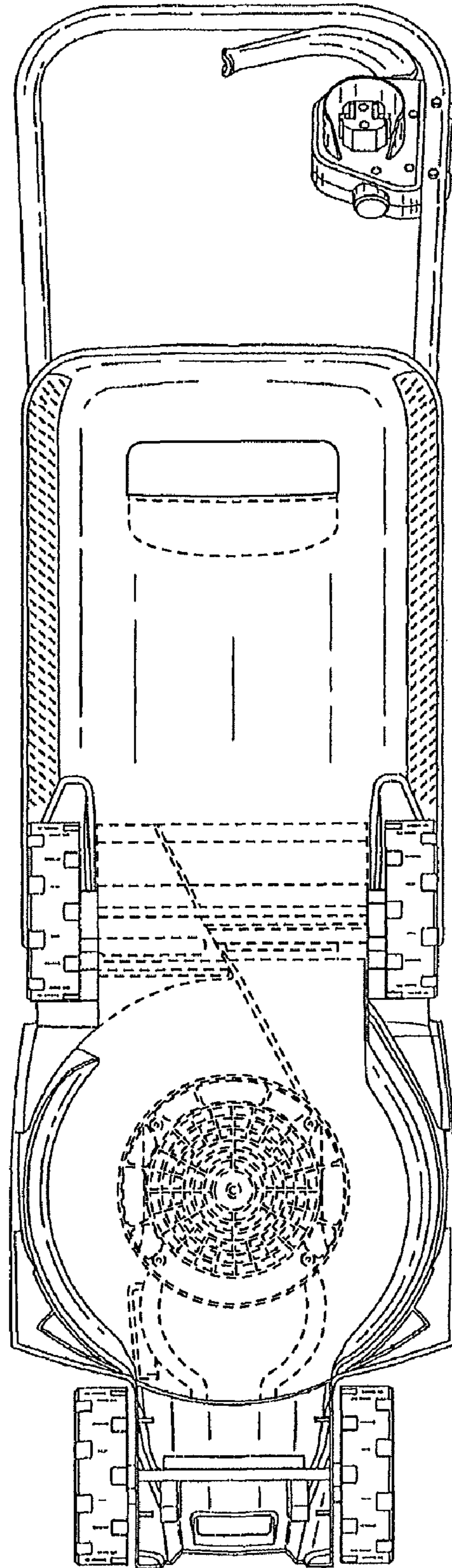


FIG.7