



US00D652845S

(12) **United States Design Patent**  
**Nam**

(10) **Patent No.:** **US D652,845 S**  
(45) **Date of Patent:** **\*\* Jan. 24, 2012**

- (54) **CYLINDER HOUSING FOR AIR COMPRESSOR**
- (75) Inventor: **Taek kyun Nam**, Pusan (KR)
- (73) Assignee: **GCS, Inc., Ltd.**, Kyoung-nam (KR)
- (\*\*) Term: **14 Years**
- (21) Appl. No.: **29/386,633**
- (22) Filed: **Mar. 3, 2011**
- (51) **LOC (9) Cl.** ..... **15-02**
- (52) **U.S. Cl.** ..... **D15/9**
- (58) **Field of Classification Search** ..... D15/7-9;  
D23/231, 232; 417/410.1, 359, 415-416,  
417/234, 321, 265, 405  
See application file for complete search history.

- D555,174 S \* 11/2007 Hwang ..... D15/9
- D556,783 S \* 12/2007 Chu ..... D15/9
- D557,287 S \* 12/2007 Chu ..... D15/9
- D603,874 S \* 11/2009 Chu ..... D15/9
- D617,349 S \* 6/2010 Chu ..... D15/9

\* cited by examiner

*Primary Examiner* — Ralf Seifert

(74) *Attorney, Agent, or Firm* — Ladas & Parry LLP

(57) **CLAIM**

I claim the ornamental design for a cylinder housing for air compressor, as shown.

**DESCRIPTION**

FIG. 1 is a front/left-side/top perspective view of a cylinder housing for air compressor showing our new design; FIG. 2 is a front-side elevational view thereof; FIG. 3 is a rear-side elevational view thereof; FIG. 4 is a left-side elevational view thereof; FIG. 5 is a right-side elevational view thereof; FIG. 6 is a top-side elevational view thereof; and, FIG. 7 is a bottom-side elevational view thereof.

**1 Claim, 6 Drawing Sheets**

(56) **References Cited**

**U.S. PATENT DOCUMENTS**

- D507,280 S \* 7/2005 Chu et al. .... D15/9
- D529,928 S \* 10/2006 Chu ..... D15/9
- D537,452 S \* 2/2007 Chu ..... D15/9
- D540,823 S \* 4/2007 An ..... D15/9

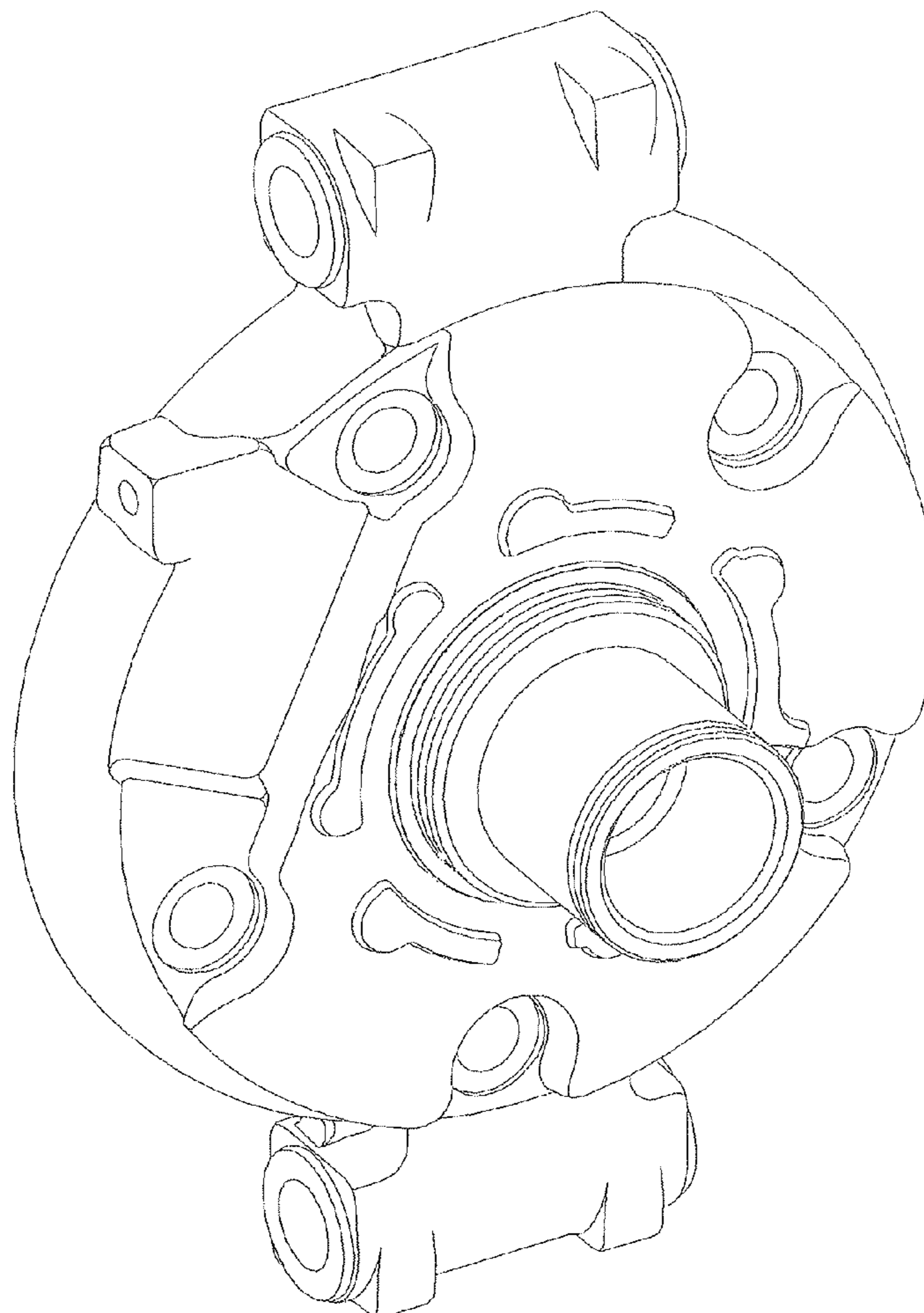


FIG. 1

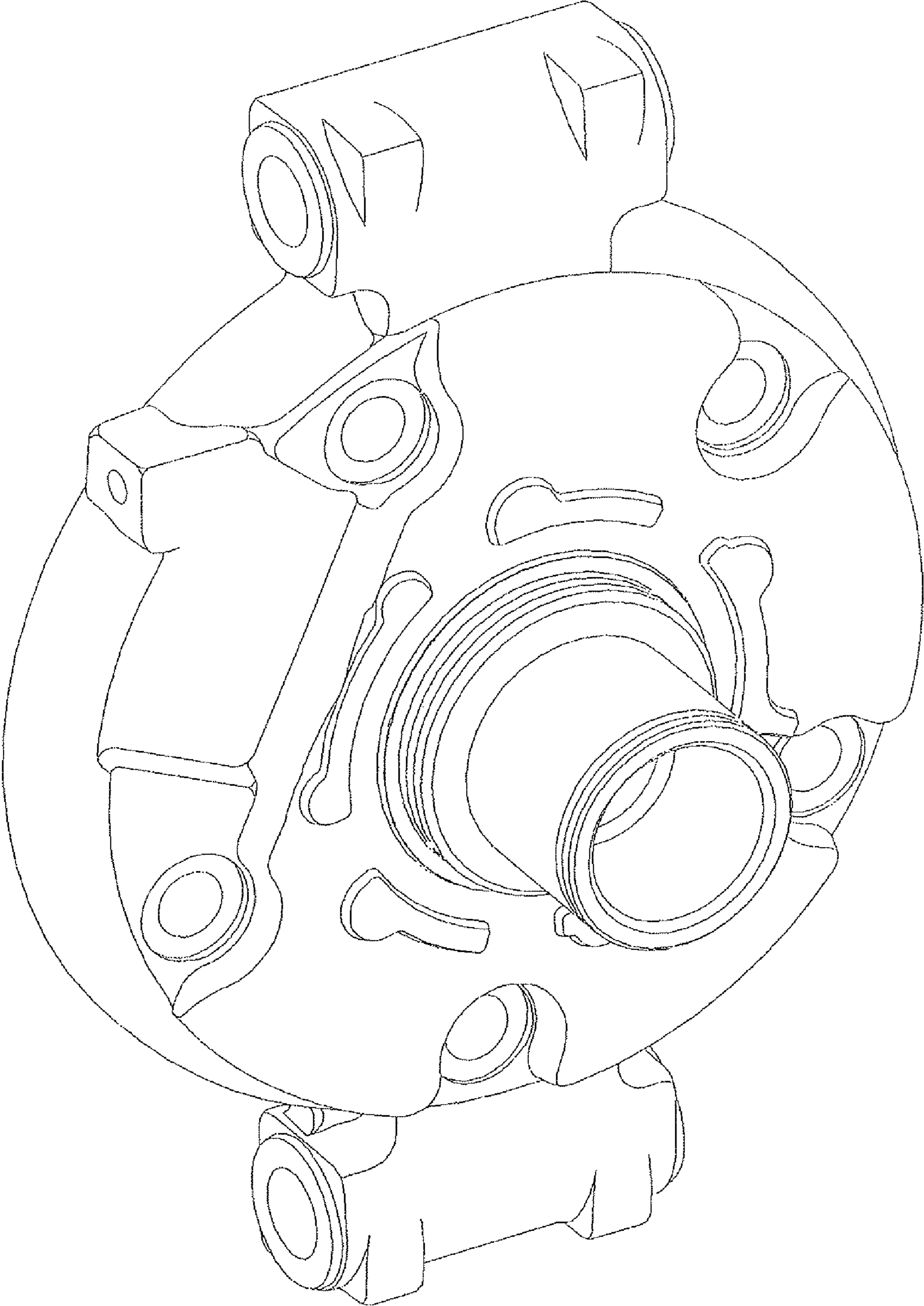


FIG. 2

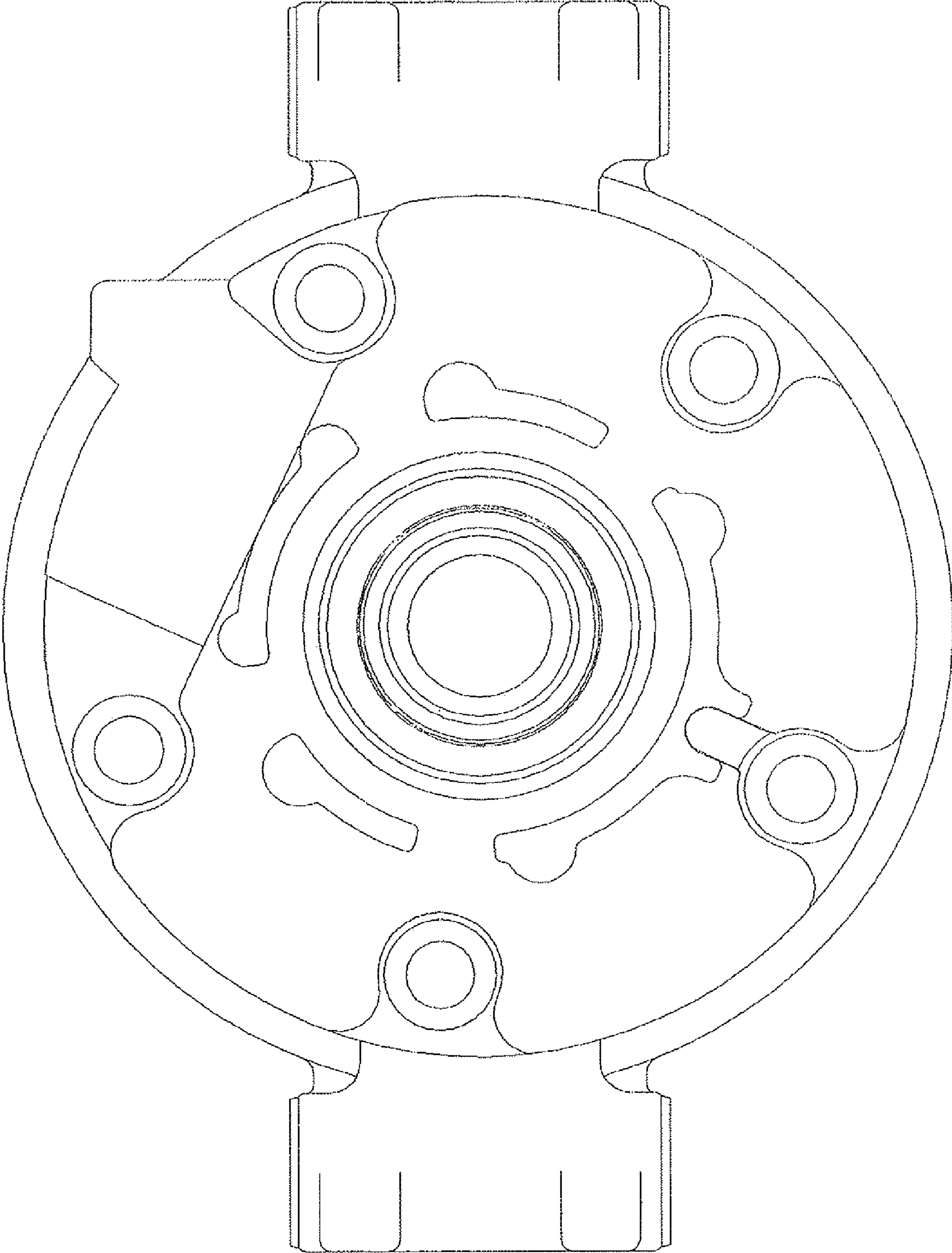


FIG. 3

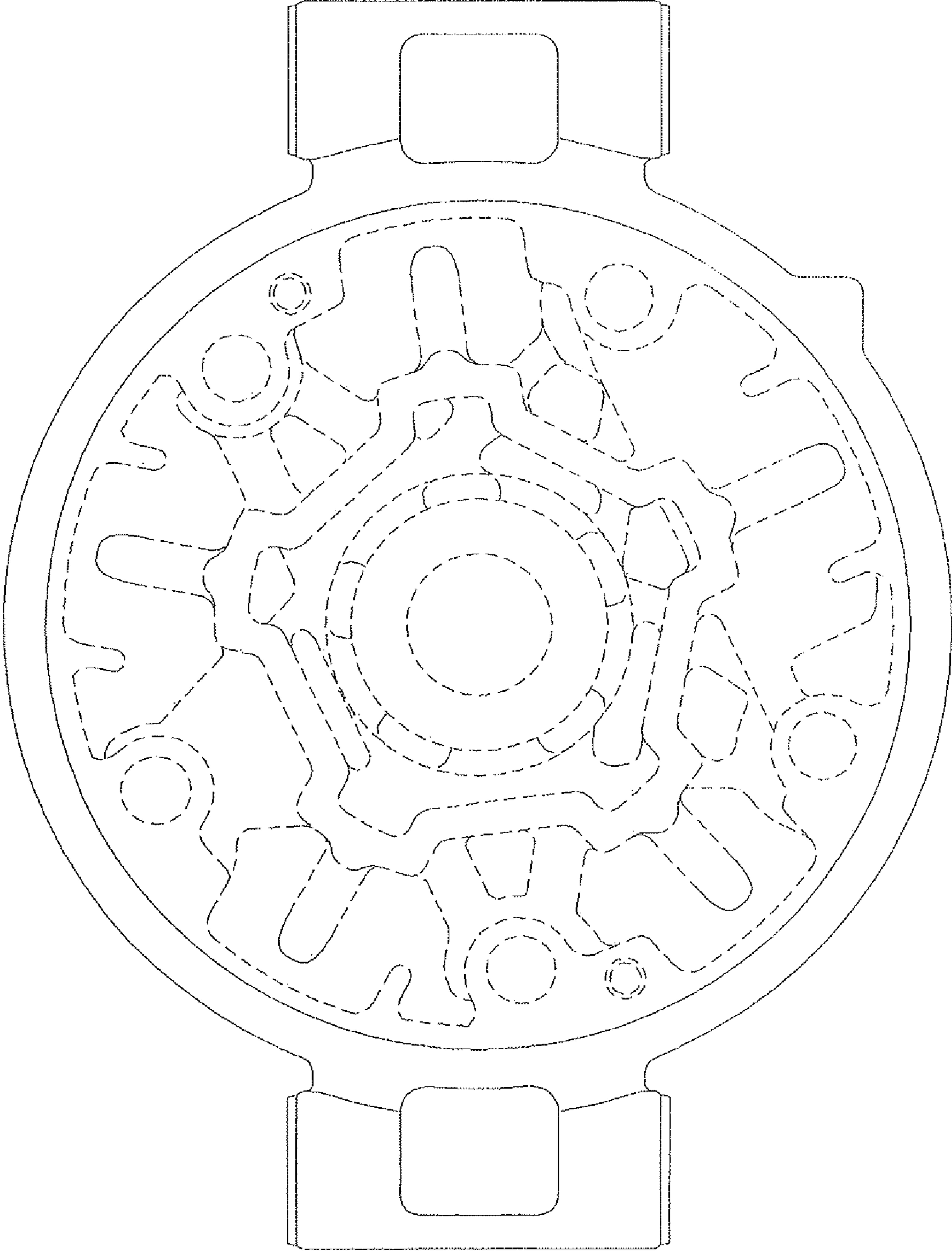


FIG. 4

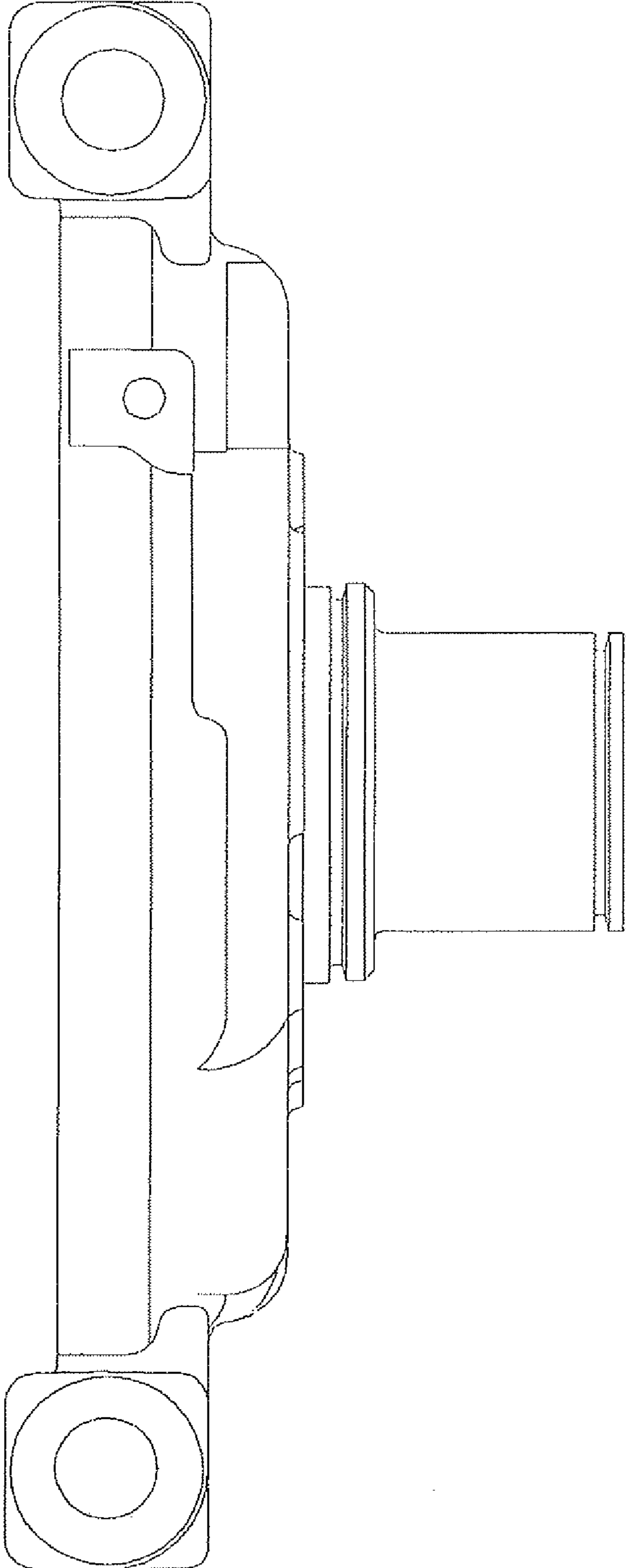


FIG. 5

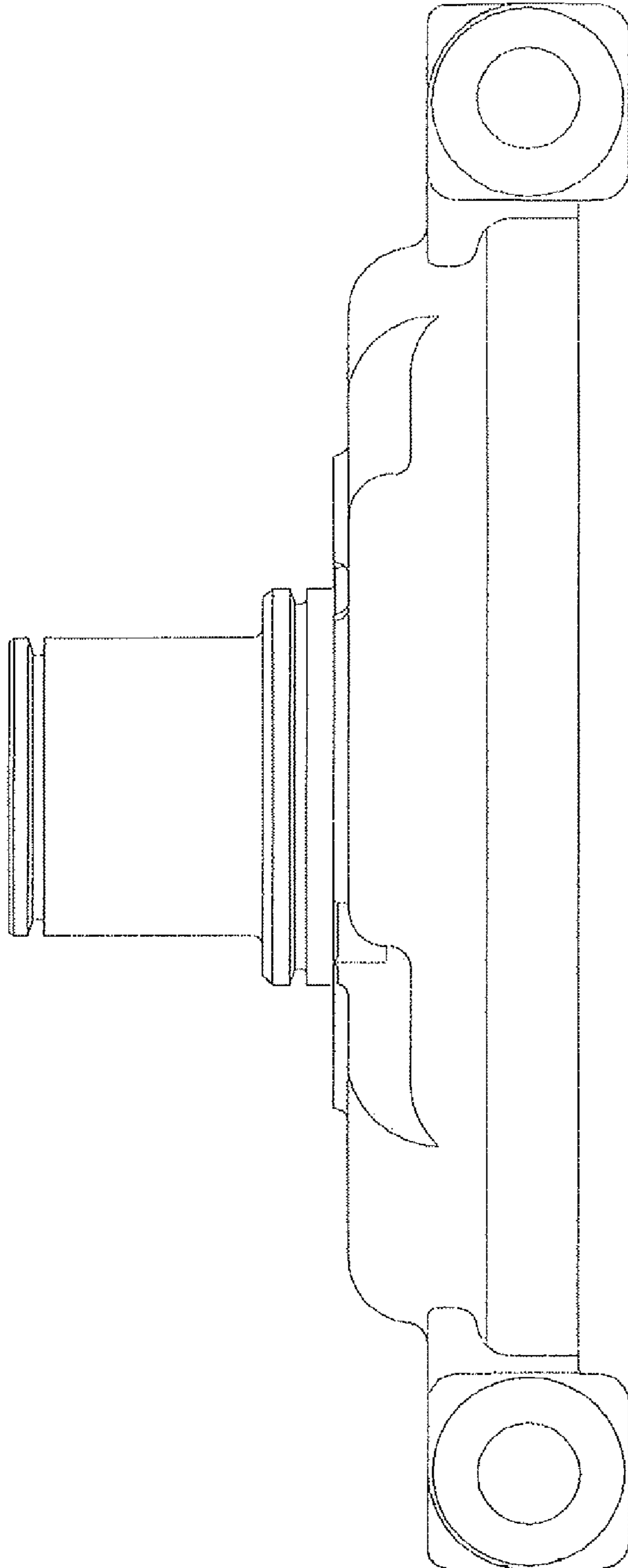


FIG. 6

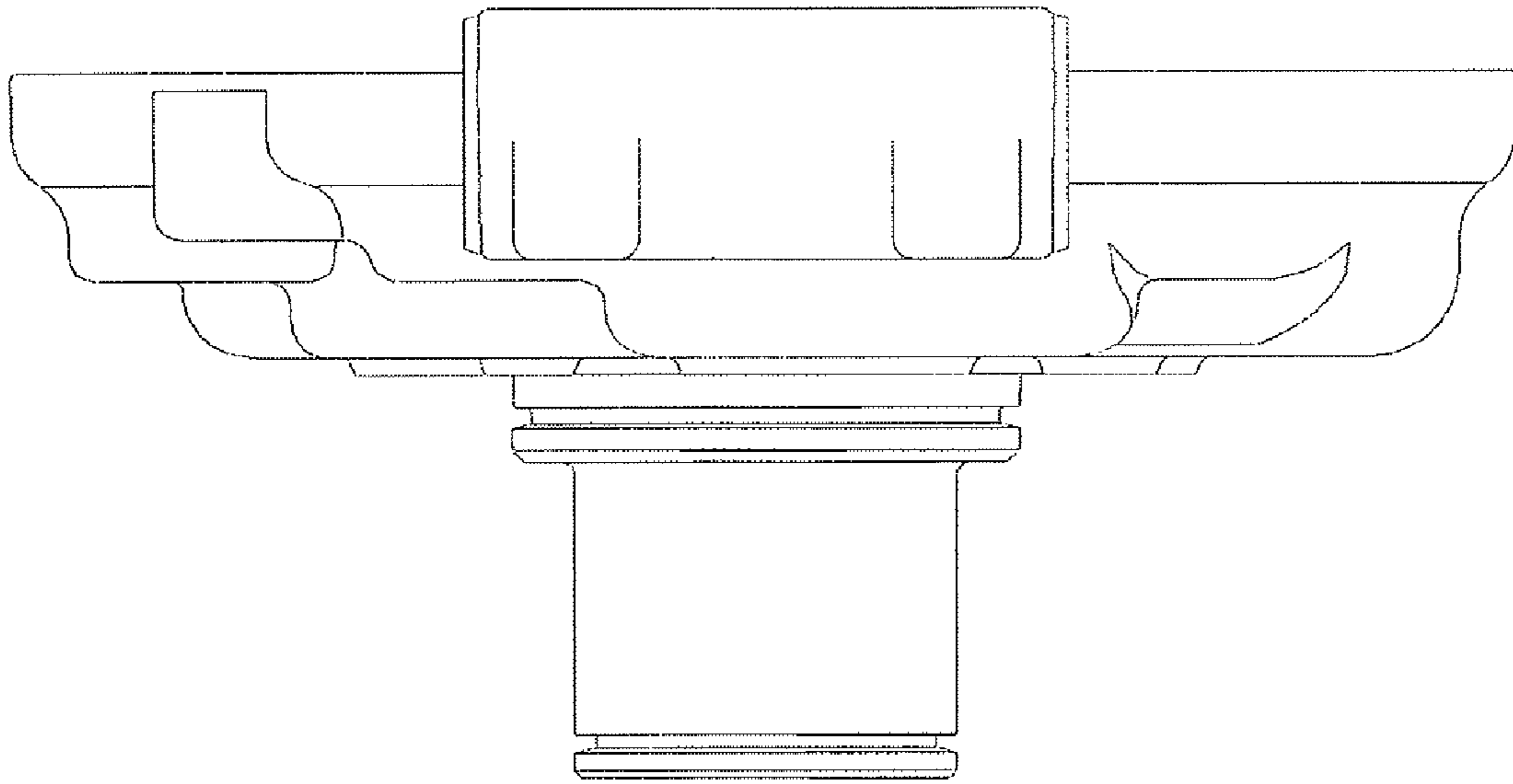
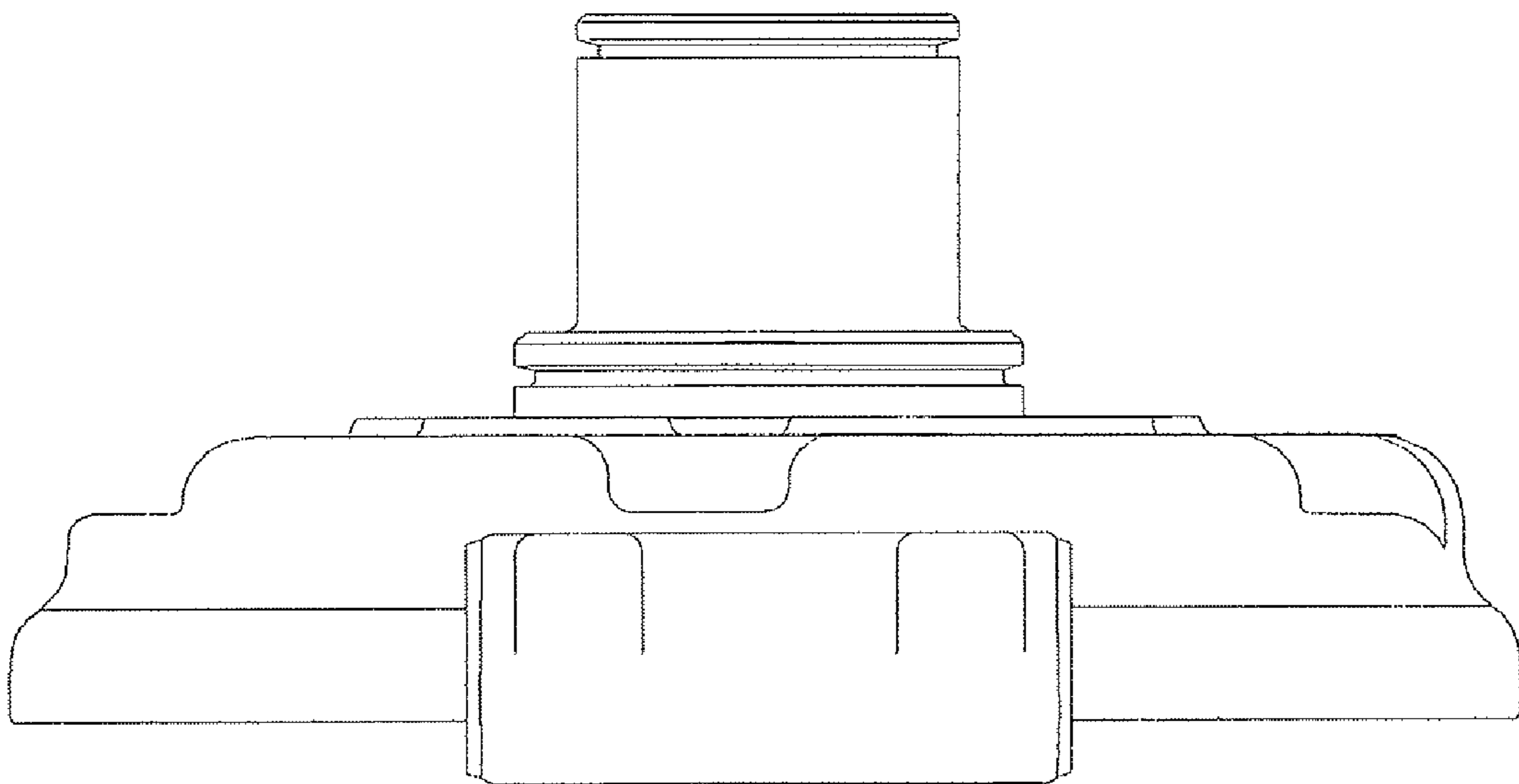


FIG. 7



UNITED STATES PATENT AND TRADEMARK OFFICE  
**CERTIFICATE OF CORRECTION**

PATENT NO. : D652,845 S  
APPLICATION NO. : 29/386633  
DATED : January 24, 2012  
INVENTOR(S) : Taek Kyun Nam

Page 1 of 1

It is certified that error appears in the above-identified patent and that said Letters Patent is hereby corrected as shown below:

Title page, item (30); insert foreign application priority data  
--REPUBLIC OF KOREA 30-2011-0002682 01/21/2011--

Signed and Sealed this  
Twenty-fourth Day of April, 2012

A handwritten signature in black ink that reads "David J. Kappos". The signature is written in a cursive style with a large initial "D" and "K".

David J. Kappos  
*Director of the United States Patent and Trademark Office*