



US00D652844S

(12) **United States Design Patent**
Hanitsch et al.

(10) **Patent No.:** **US D652,844 S**
(45) **Date of Patent:** **** Jan. 24, 2012**

(54) **VACUUM PUMP**

(75) Inventors: **Bernhard Hanitsch**, Wuppertal (DE);
Andre Kunzendorf, Wuppertal (DE)

(73) Assignee: **Gebr. Becker GmbH**, Wuppertal (DE)

(**) Term: **14 Years**

(21) Appl. No.: **29/373,190**

(22) Filed: **Mar. 15, 2011**

(51) **LOC (9) Cl.** **15-02**

(52) **U.S. Cl.** **D15/7**

(58) **Field of Classification Search** D15/7-9;
D23/231, 232, 225; 417/60, 235, 265, 321,
417/355, 358, 363, 359, 410.1, 415-416,
417/405, 900; 60/408, 412; 184/26-37;
415/140-147; 123/495, 509

See application file for complete search history.

(56) **References Cited**

U.S. PATENT DOCUMENTS

1,082,183 A * 12/1913 Vernon 417/360
D116,252 S * 8/1939 Van Doren et al. D15/7
D210,706 S * 4/1968 Warren D15/7
D215,885 S * 11/1969 Svenson D15/7

4,190,402 A * 2/1980 Meece et al. 417/415
D263,302 S * 3/1982 Terajima et al. D15/7
D274,433 S * 6/1984 Boller D15/7
D275,198 S * 8/1984 Yokota et al. D15/1
D293,114 S * 12/1987 Brogdon D15/1

* cited by examiner

Primary Examiner — Ralf Seifert

(74) *Attorney, Agent, or Firm* — Collard & Roe, P.C.

(57) **CLAIM**

The ornamental design for a vacuum pump, as shown and described.

DESCRIPTION

FIG. 1 is a side view of a vacuum pump, showing our new design;

FIG. 2 is a front view thereof;

FIG. 3 is a side view opposite to the side view shown in FIG. 1;

FIG. 4 is a rear view thereof;

FIG. 5 is a top view thereof;

FIG. 6 is a bottom view thereof; and,

FIG. 7 is a top, side and front perspective view thereof.

The areas shown in broken lines show environmental structure only and form no part of the claimed design.

1 Claim, 4 Drawing Sheets

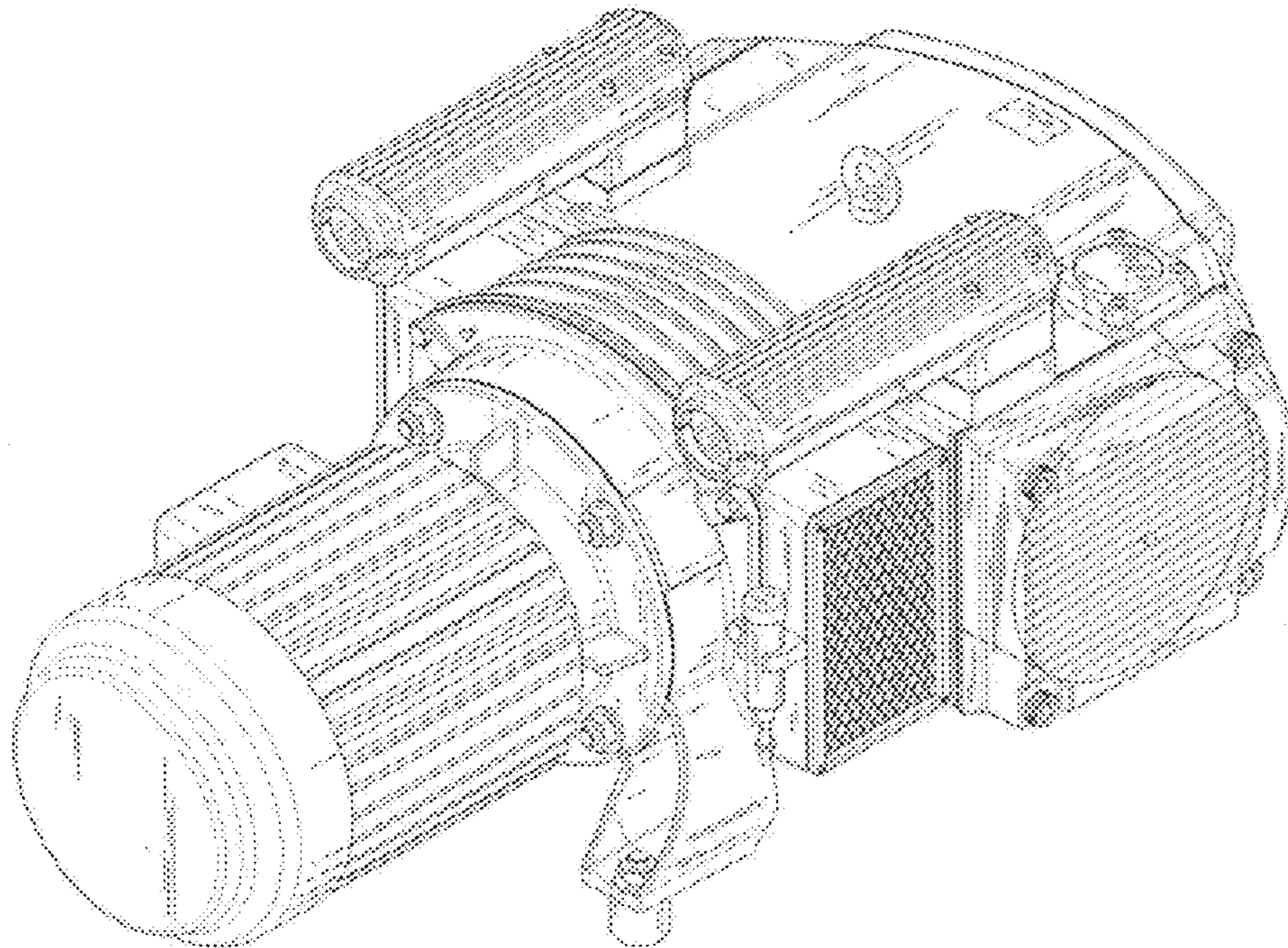


Fig. 1

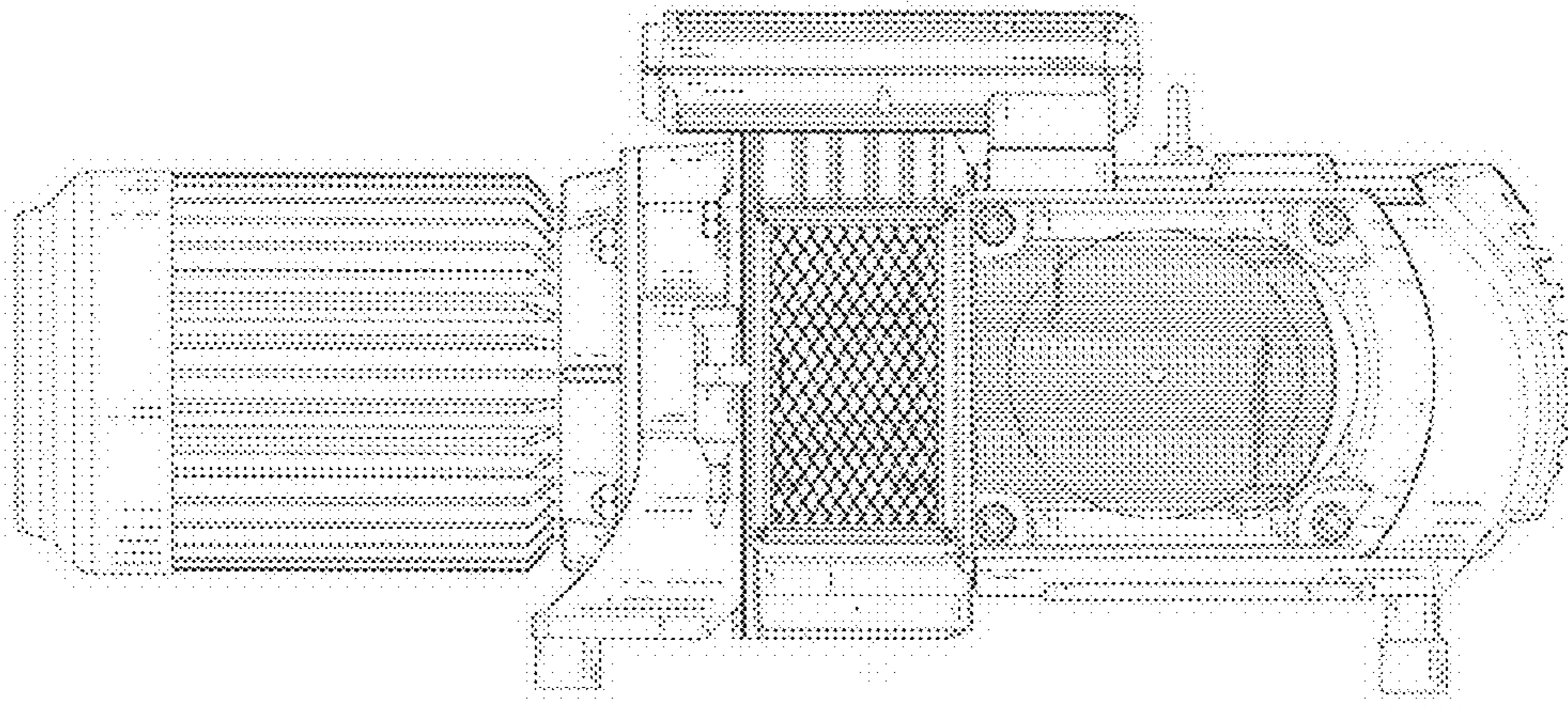


Fig. 2

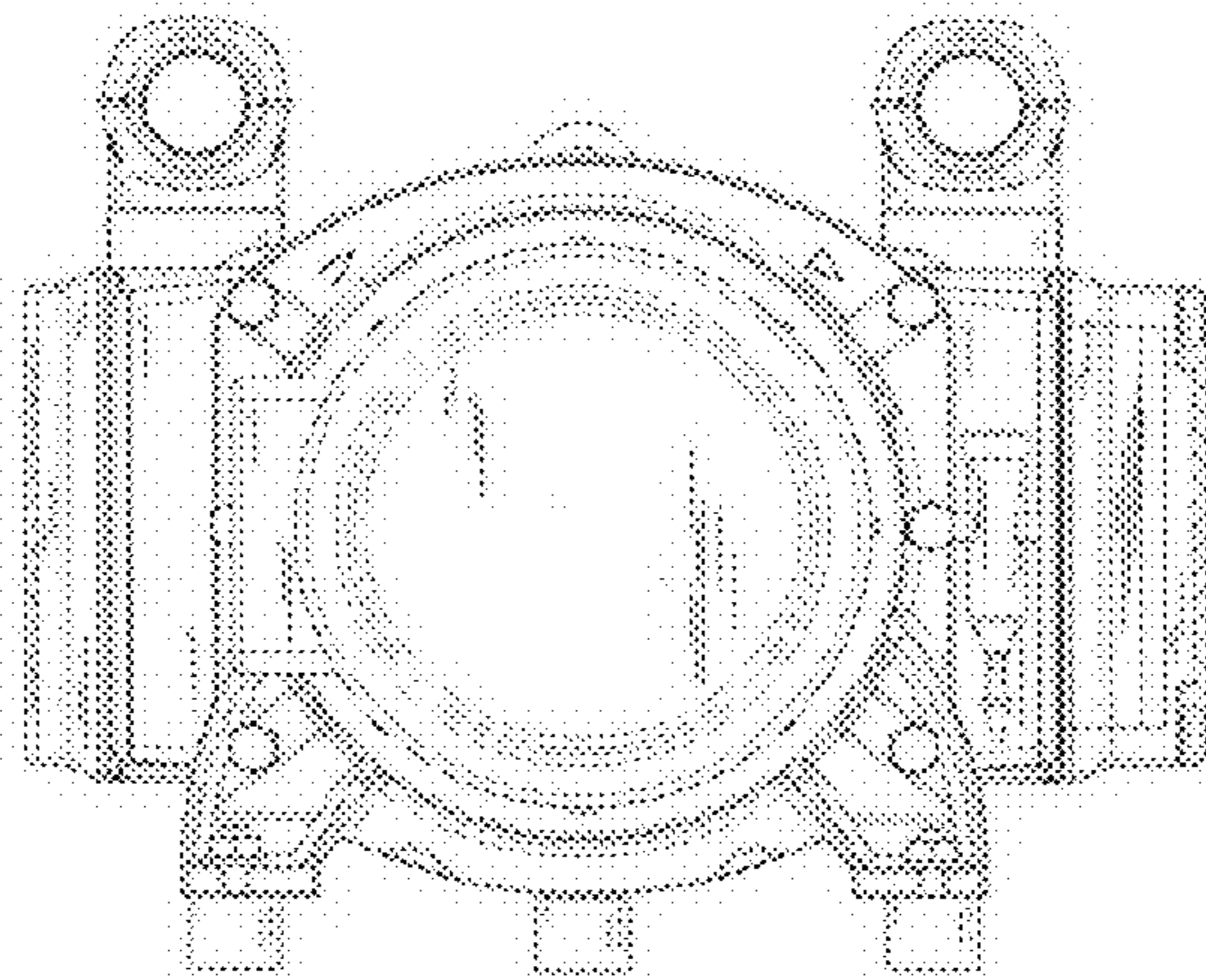


Fig. 3

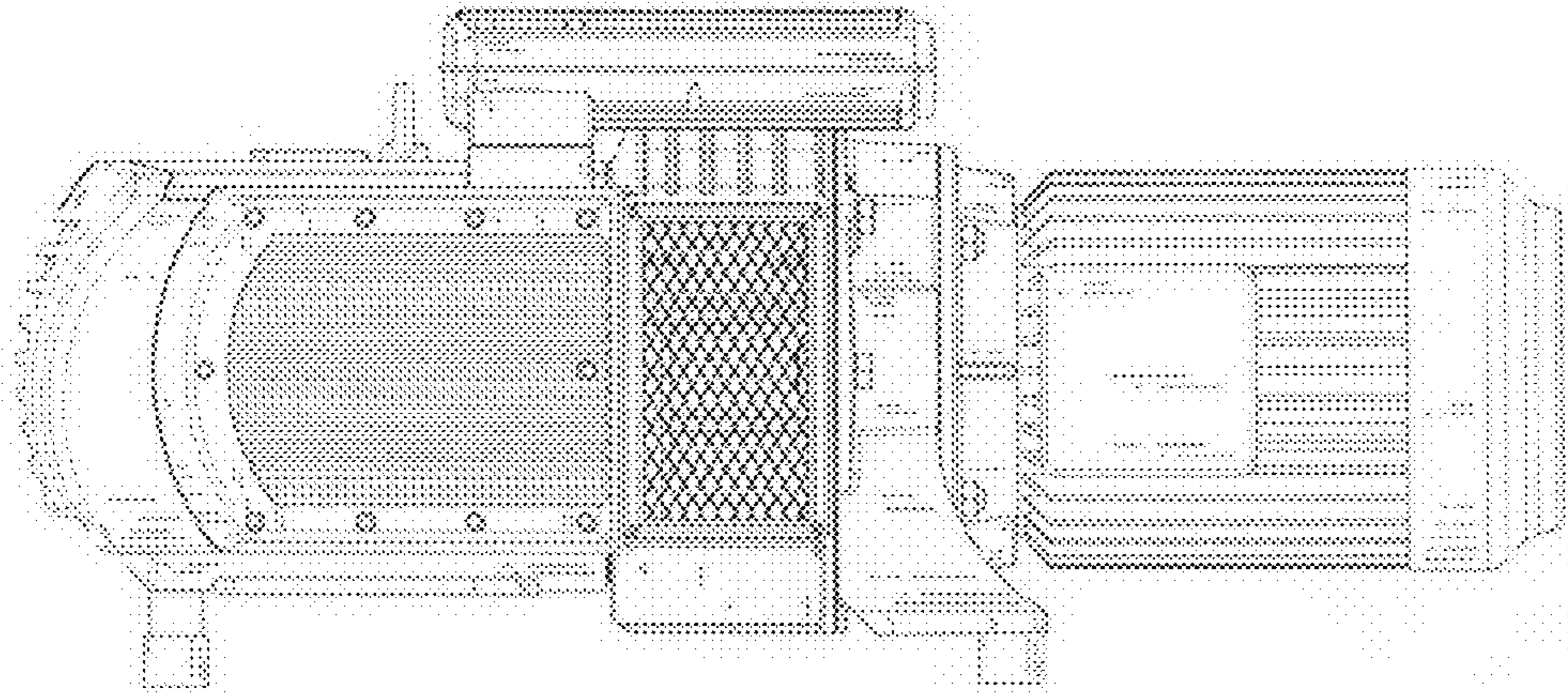


Fig. 4

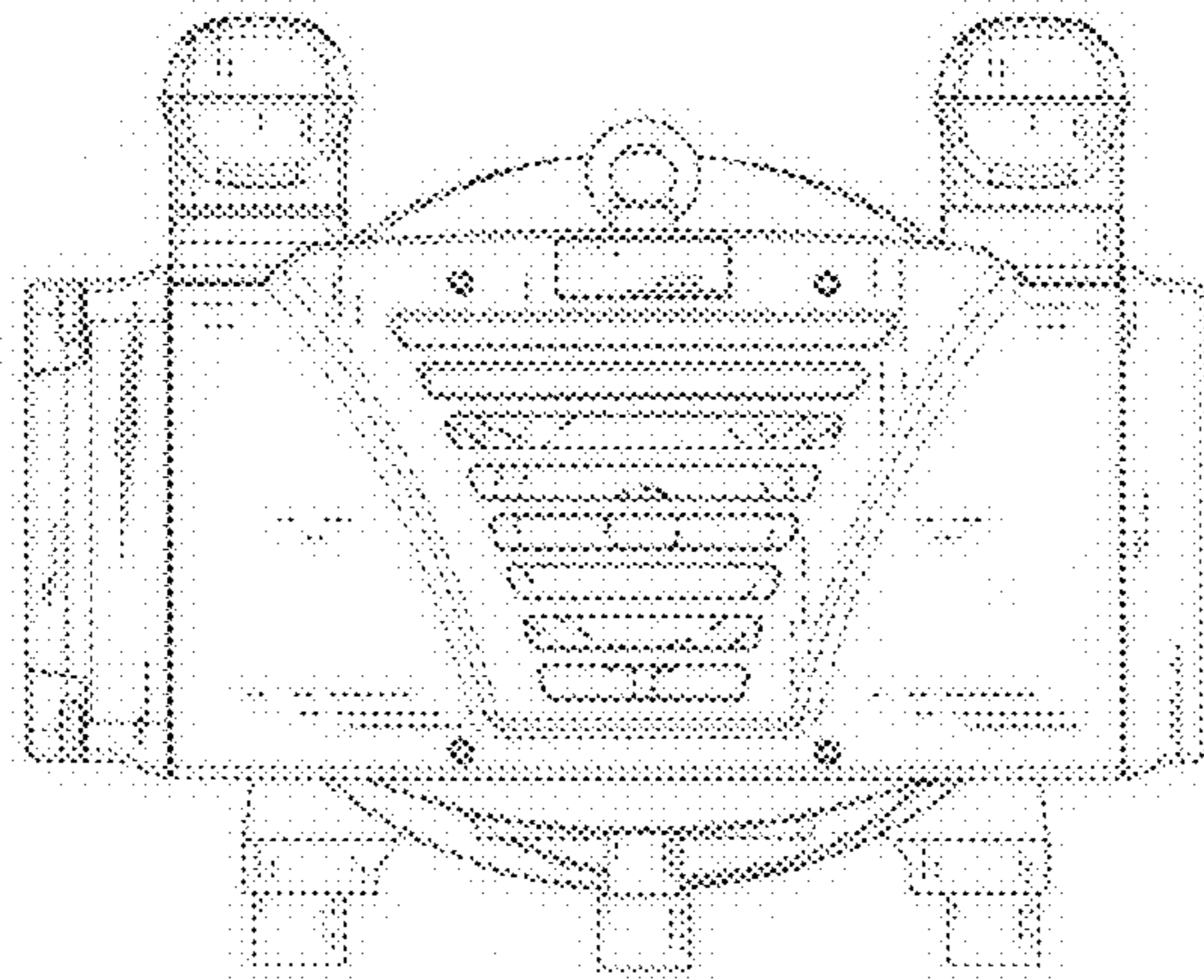


Fig. 5

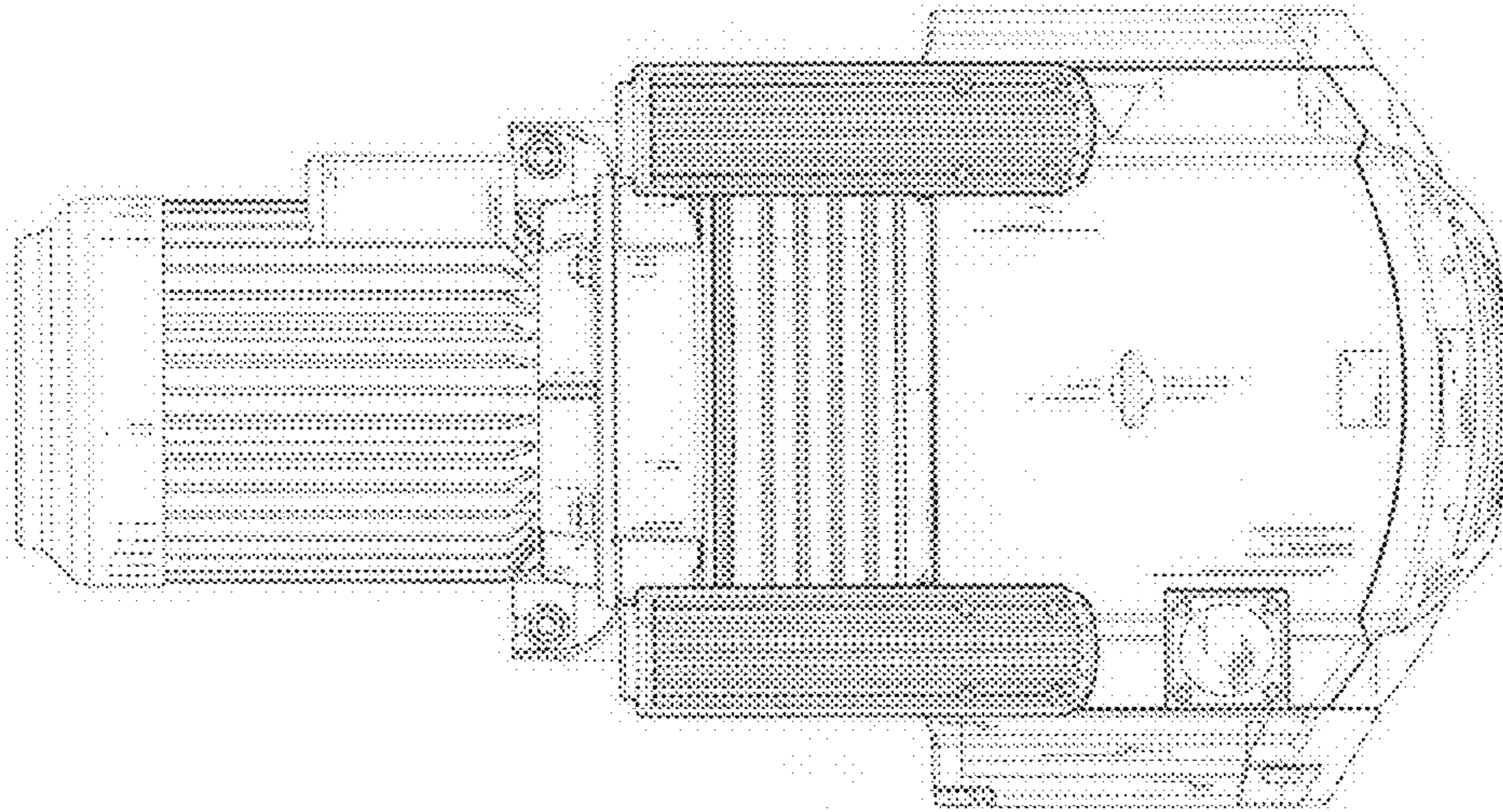


Fig. 6

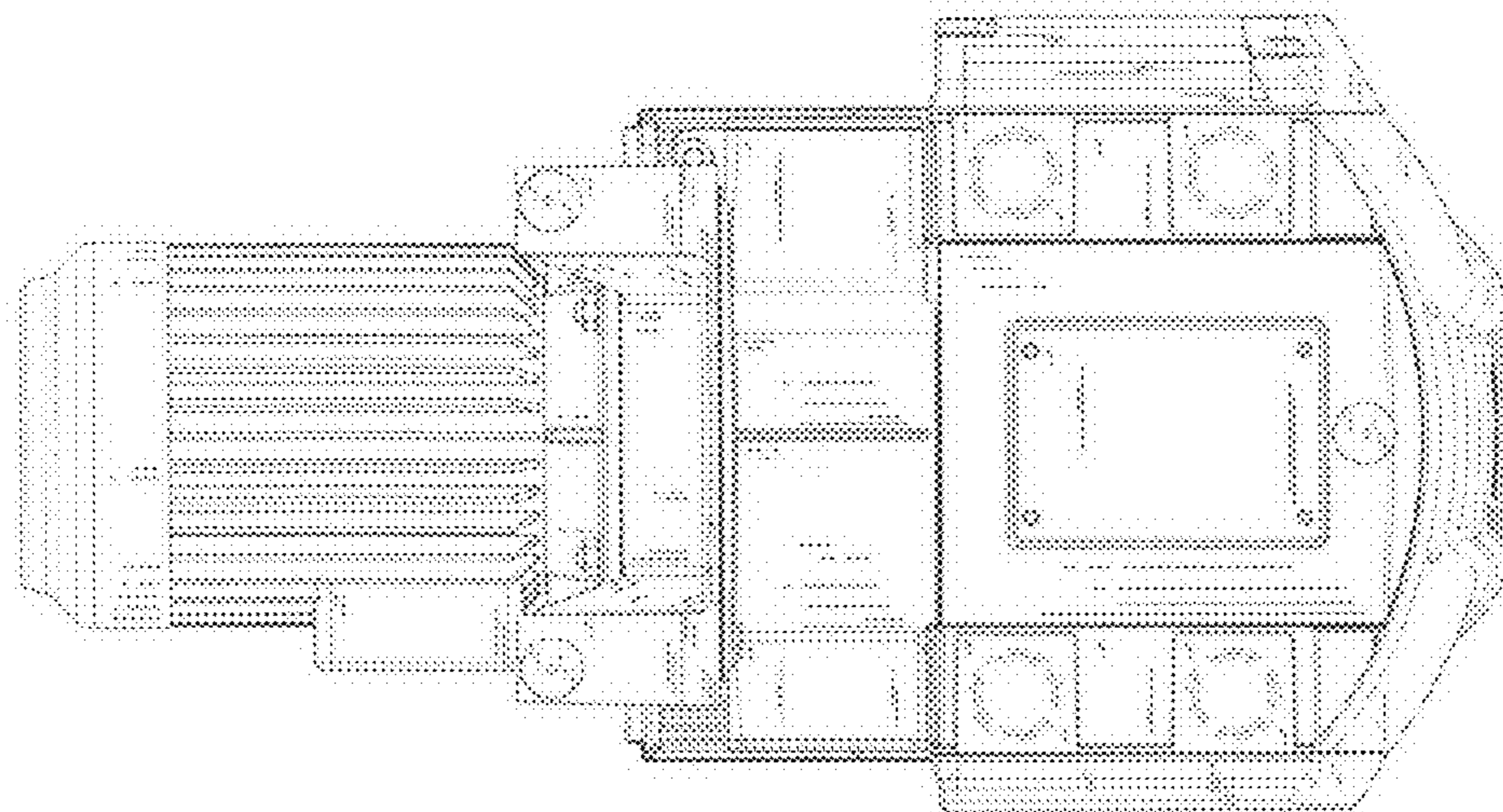
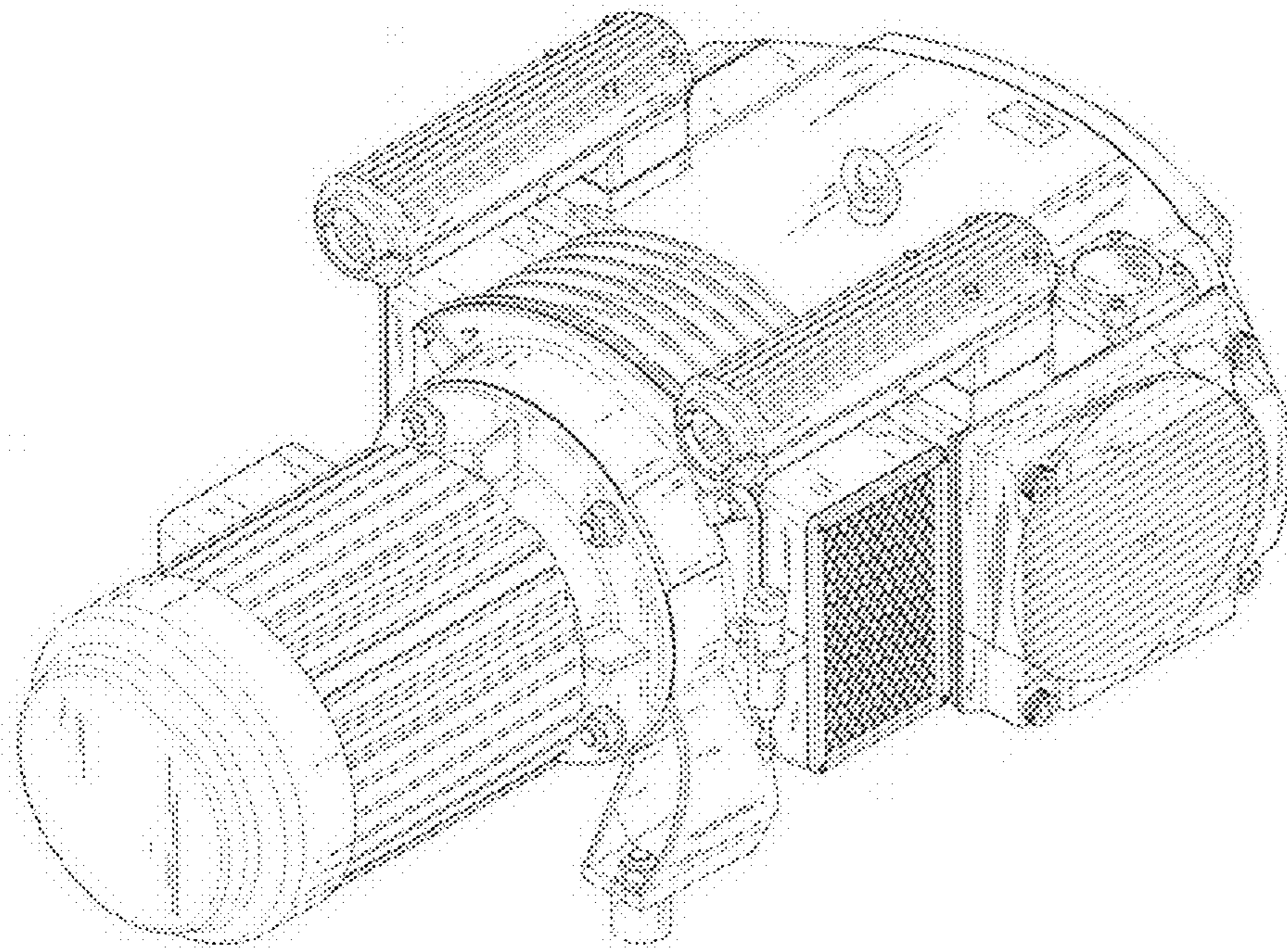


Fig. 7



UNITED STATES PATENT AND TRADEMARK OFFICE
CERTIFICATE OF CORRECTION

PATENT NO. : D652,844 S
APPLICATION NO. : 29/373190
DATED : January 24, 2012
INVENTOR(S) : Hanitsch et al.

Page 1 of 1

It is certified that error appears in the above-identified patent and that said Letters Patent is hereby corrected as shown below:

In particular, on the Title page, Column 1, item [30], please insert the Foreign Application Priority data to correctly read:

-- Feb. 4, 2011 (EM) 001258354-0001 --.

Signed and Sealed this
Sixth Day of March, 2012



David J. Kappos
Director of the United States Patent and Trademark Office