



US00D652842S

(12) **United States Design Patent**
Obama et al.

(10) **Patent No.:** **US D652,842 S**
(45) **Date of Patent:** **** Jan. 24, 2012**

(54) **DISPLAY SCREEN WITH AN ICON IMAGE**

(75) Inventors: **Tomoko Obama**, Kanagawa (JP);
Takanori Ogawa, Kanagawa (JP);
Tomoko Nakagawa, Tokyo (JP)

(73) Assignee: **Panasonic Corporation**, Osaka (JP)

(**) Term: **14 Years**

(21) Appl. No.: **29/355,871**

(22) Filed: **Feb. 16, 2010**

(30) **Foreign Application Priority Data**

Aug. 20, 2009 (JP) 2009-18982

(51) **LOC (9) Cl.** **32-00**

(52) **U.S. Cl.** **D14/489**

(58) **Field of Classification Search** D14/485-495,
D14/340, 399-401, 455-456, 138 C, 218,
D14/247; D18/26, 31-33; D20/11, 12, 23-25,
D20/29-32, 36-38; 715/700-867, 973-977;
D16/219, 241; D24/124-125, 189, 190
See application file for complete search history.

(56) **References Cited**

U.S. PATENT DOCUMENTS

- 4,655,760 A * 4/1987 Morman et al. 604/385.26
- 4,824,677 A * 4/1989 Shah et al. 424/467
- D364,798 S * 12/1995 Bright et al. D8/394
- D383,134 S * 9/1997 Patton D14/218
- D424,628 S * 5/2000 Luciano et al. D18/26
- D424,691 S * 5/2000 Yavitz D24/128
- D429,734 S * 8/2000 Johnson D14/485
- D430,120 S * 8/2000 Yasui et al. D14/488
- D435,561 S 12/2000 Pettigrew et al.
- D437,004 S * 1/2001 Luciano et al. D21/369
- D457,241 S * 5/2002 Dunshee et al. D24/145
- D457,629 S * 5/2002 Dunshee et al. D24/145
- D459,362 S * 6/2002 Platz et al. D14/489
- D482,781 S * 11/2003 Glaug et al. D24/125

- D536,341 S 2/2007 Frey et al.
- D539,809 S 4/2007 Totten et al.
- D541,836 S * 5/2007 Ina et al. D16/219
- D554,140 S 10/2007 Armendariz
- D576,172 S * 9/2008 Kim D14/486
- D589,973 S 4/2009 Okada
- D590,410 S * 4/2009 Wall et al. D14/486
- D596,195 S * 7/2009 Wall et al. D14/489

(Continued)

OTHER PUBLICATIONS

Symbol Source Book, by Henry Dreyfuss, Van Nostrand Reinhold Company, New York, NY, © 1972, p. 104.*

Primary Examiner — Karen E Kearney

(74) *Attorney, Agent, or Firm* — Brinks Hofer Gilson & Lione

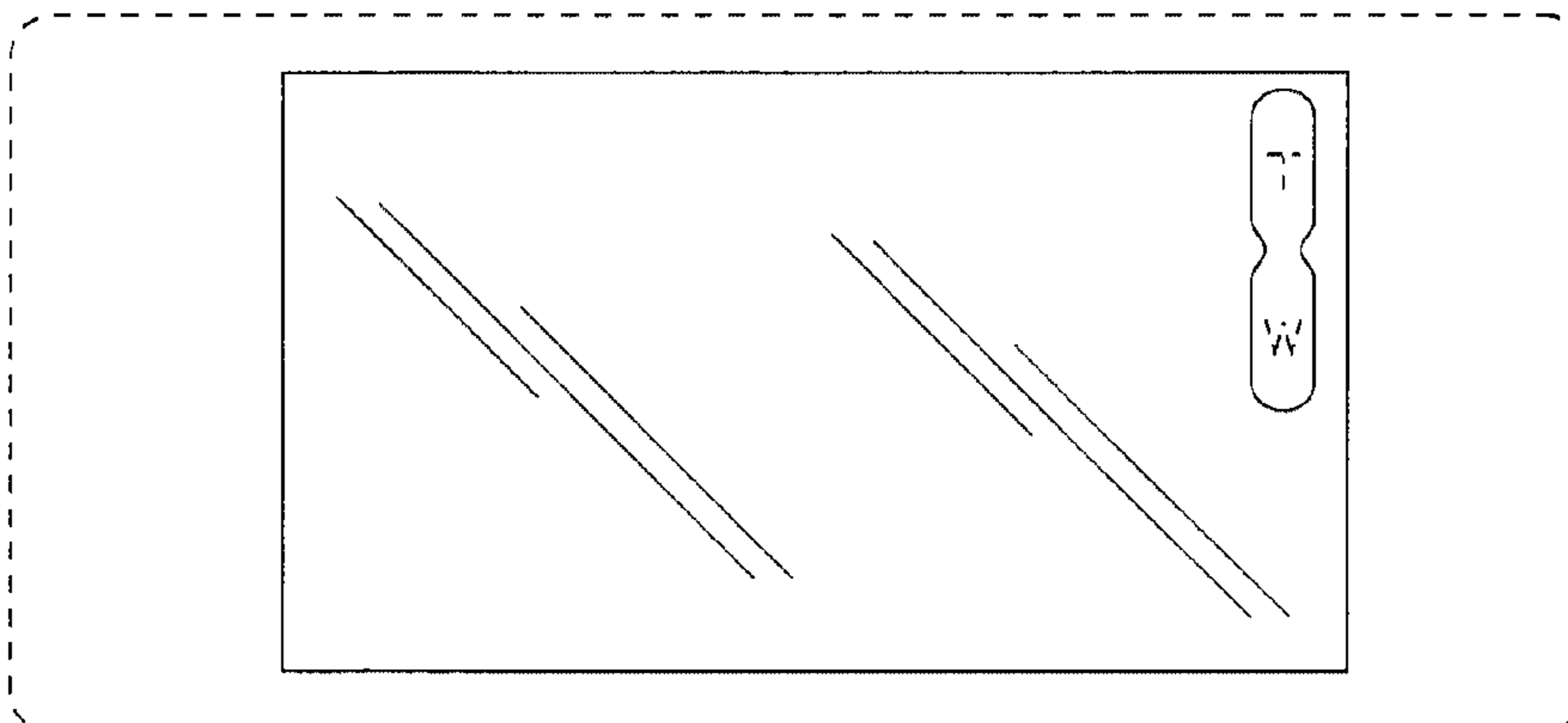
(57) **CLAIM**

We claim the ornamental design for a display screen with an icon image, as shown and described.

DESCRIPTION

FIG. 1 is a front perspective view of a display screen with an icon image of the present invention;
 FIG. 2 is a front view thereof;
 FIG. 3 is a rear view thereof;
 FIG. 4 is a left side view thereof, the right side view being a mirror image thereof;
 FIG. 5 is a top view thereof;
 FIG. 6 is a front view thereof shown in an alternate and opened position;
 FIG. 7 is a rear view thereof shown in an alternate and opened position; and,
 FIG. 8 is a top view thereof shown in an alternate and opened position.
 The broken line showing of a display screen with an icon image is included for the purpose of illustrating environment and forms no part of the claimed design.

1 Claim, 8 Drawing Sheets



US D652,842 S

Page 2

U.S. PATENT DOCUMENTS

D596,646 S	7/2009	Wani	
D601,707 S *	10/2009	Chouiller	D24/189
D604,308 S	11/2009	Takano	
D614,166 S *	4/2010	Brickstad	D14/205
D614,832 S *	5/2010	Marsh et al.	D1/129
			* cited by examiner
		D625,829 S *	10/2010 Arbesman et al. D24/192
		2003/0085929 A1 *	5/2003 Huber et al. 345/810
		2009/0118598 A1 *	5/2009 Hoarau et al. 600/301
		2010/0207908 A1 *	8/2010 Hinckley et al. 345/174

FIG. 1

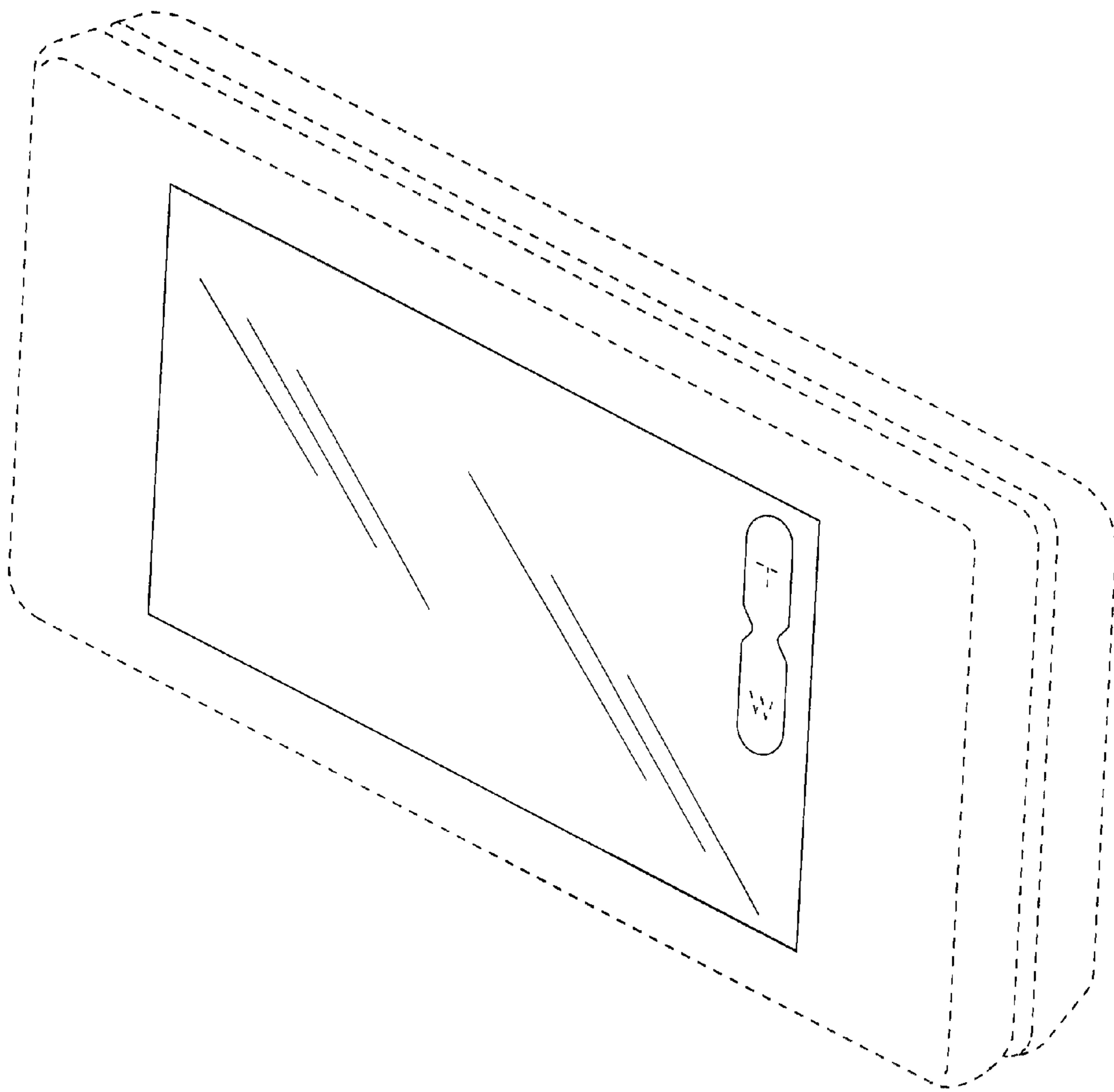


FIG.2

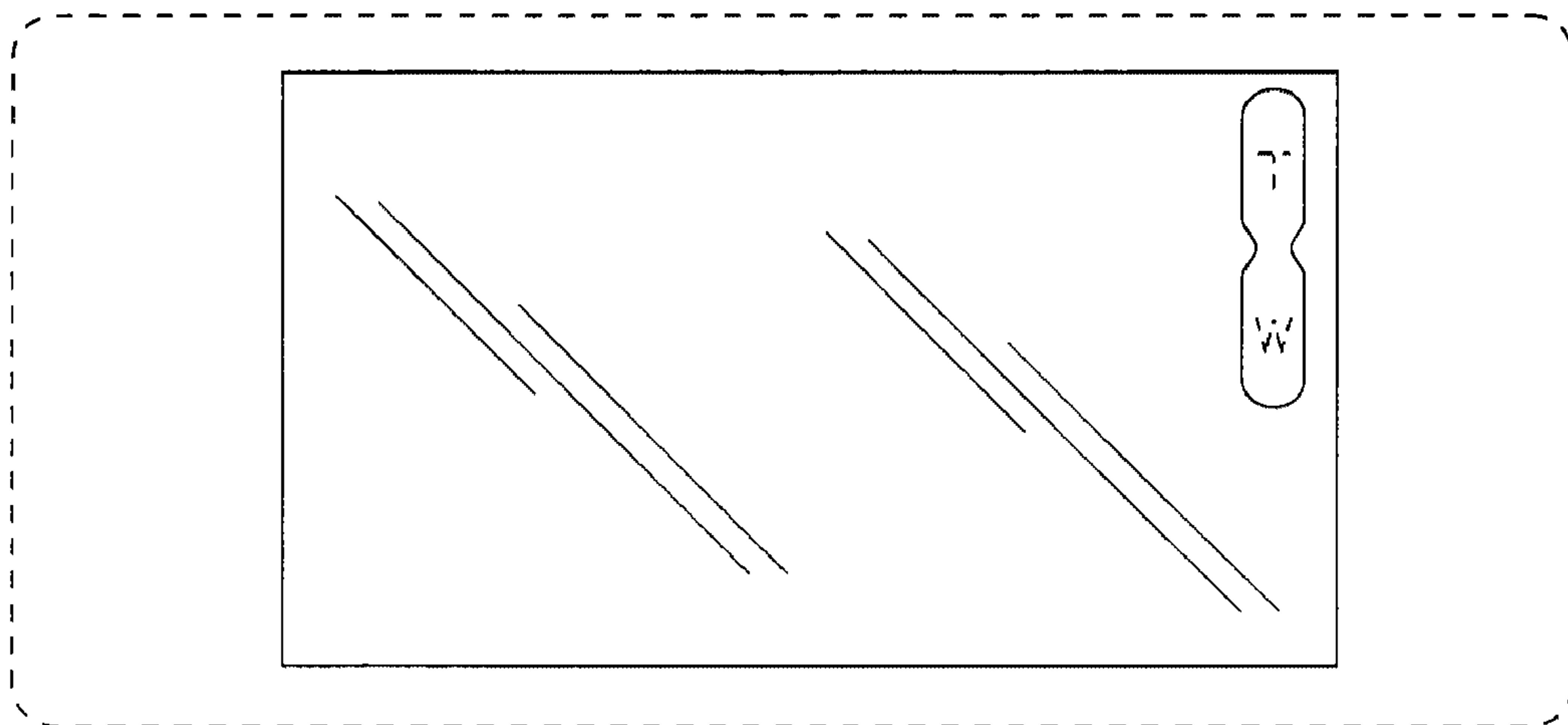


FIG.3

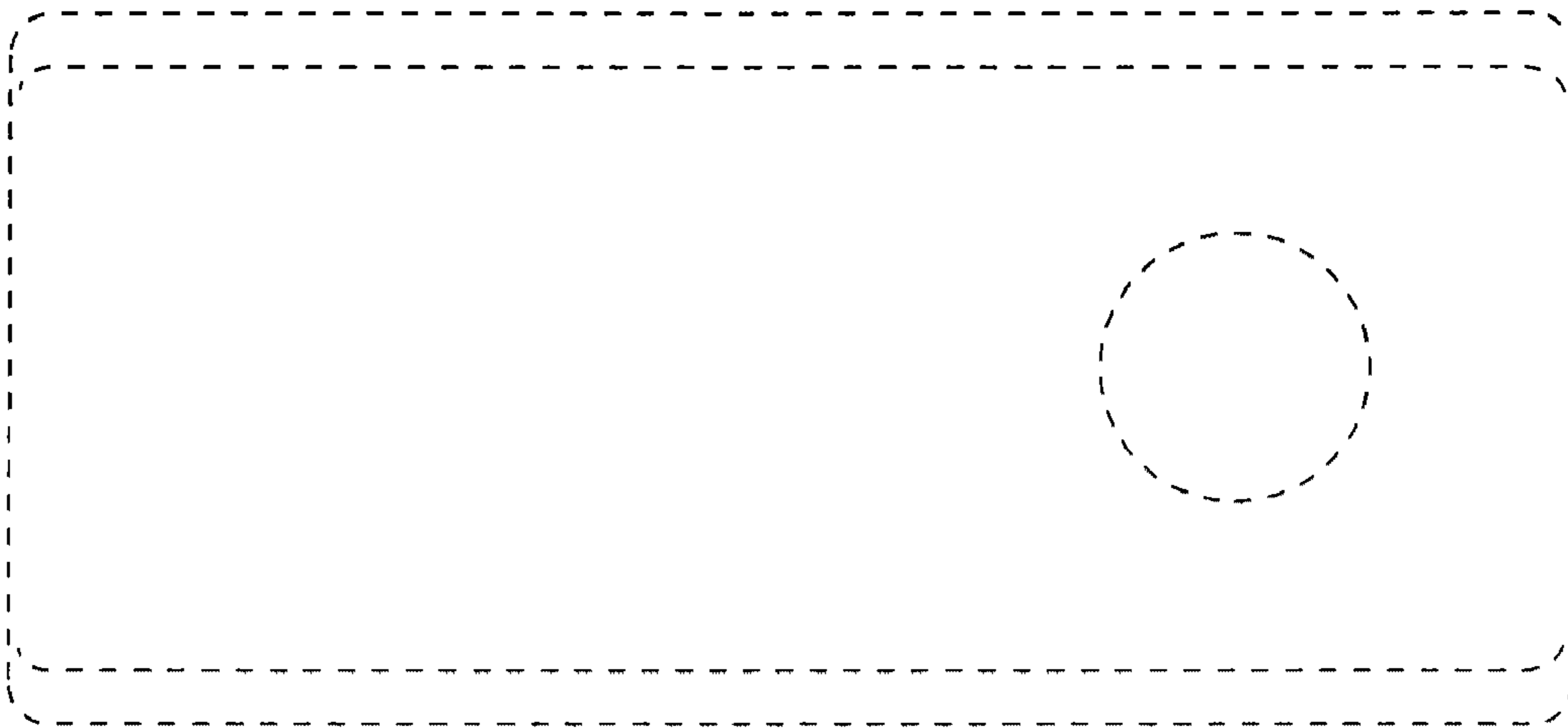


FIG. 4

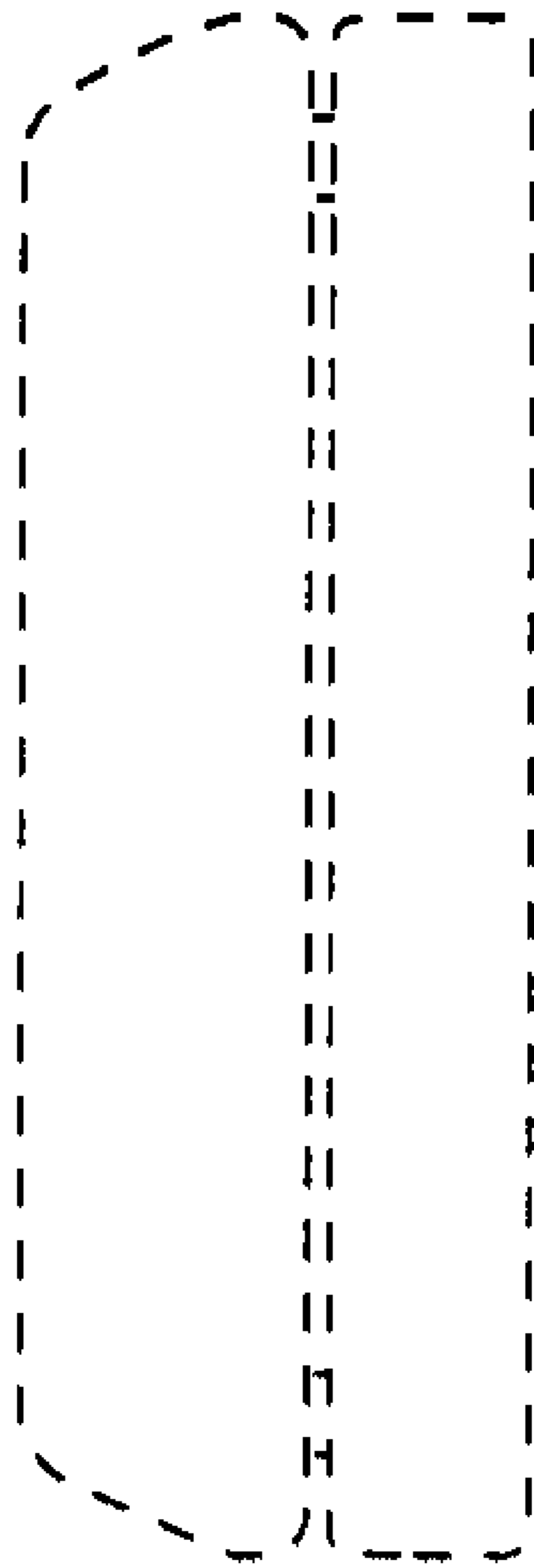


FIG.5

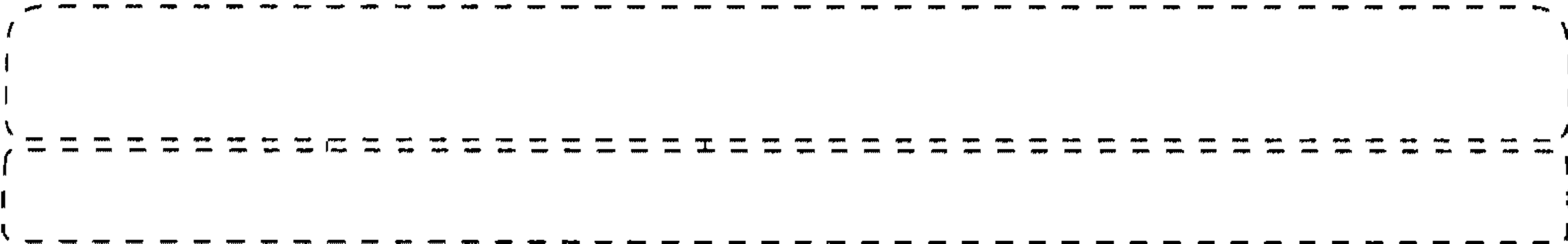


FIG.6

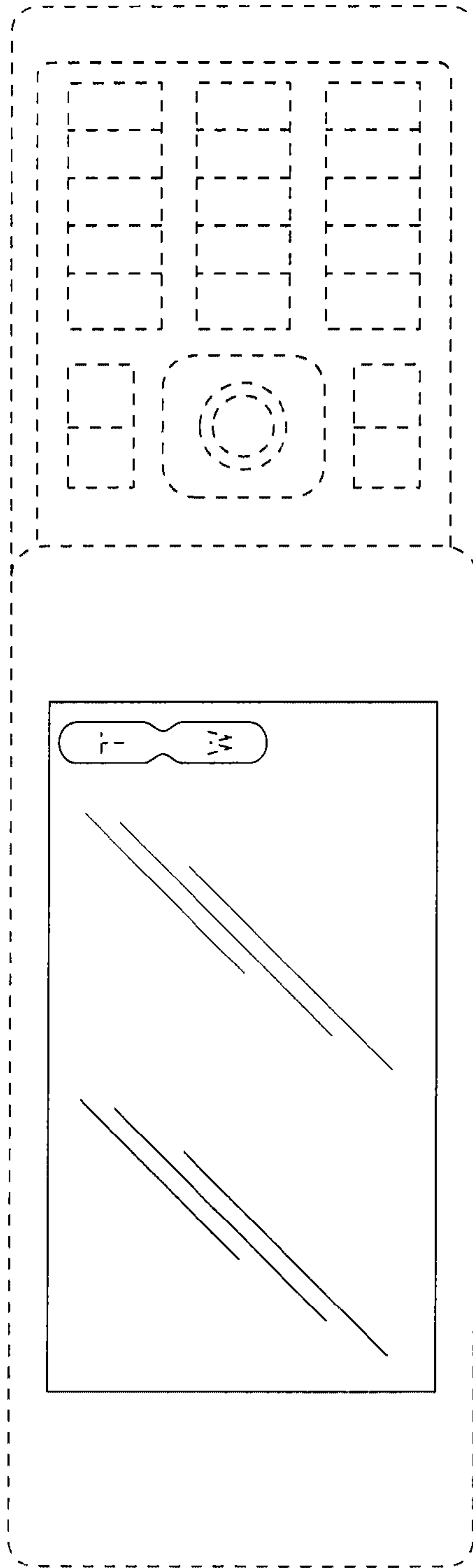


FIG. 7

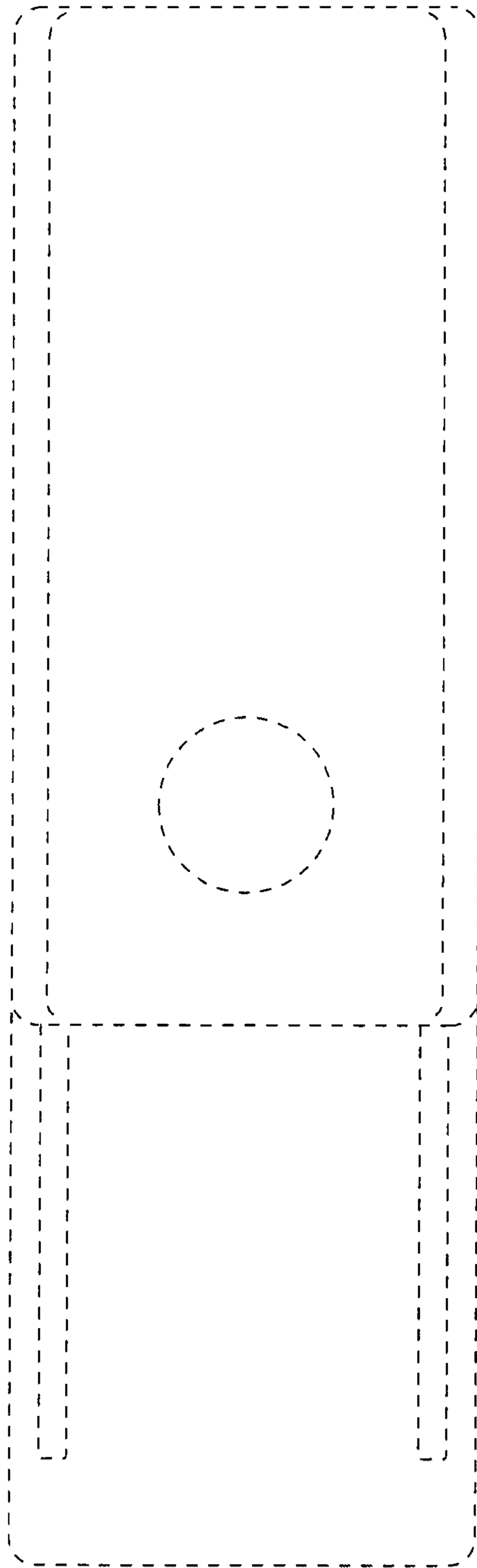


FIG.8

