



US00D652834S

(12) **United States Design Patent**
Jones et al.

(10) **Patent No.:** **US D652,834 S**
(45) **Date of Patent:** **** Jan. 24, 2012**

(54) **DOCK FOR TABLET COMPUTER**
(75) Inventors: **Christopher C. Jones**, San Francisco, CA (US); **Steve I. Hwang**, San Francisco, CA (US)
(73) Assignee: **OpenPeak, Inc.**, Boca Raton, FL (US)
(**) Term: **14 Years**
(21) Appl. No.: **29/364,689**
(22) Filed: **Jun. 26, 2010**
(51) **LOC (9) Cl.** **14-02**
(52) **U.S. Cl.** **D14/434**
(58) **Field of Classification Search** D14/432-434, D14/314, 204, 420, 421, 447, 217, 358; D13/107, D13/108, 146; D8/373; 248/346.03, 176.1; 361/679.41, 679.31, 679.32, 679.4, 679.43, 361/679.55; 320/109, 112-115
See application file for complete search history.

7,200,702 B2 * 4/2007 Keely et al. 710/303
D553,106 S * 10/2007 Griffin D14/434
7,298,613 B2 * 11/2007 Yin et al. 361/679.41
7,708,240 B2 * 5/2010 Homer et al. 248/130
2006/0250767 A1 * 11/2006 Brophy et al. 361/686
* cited by examiner

Primary Examiner — Freda S Nunn
(74) *Attorney, Agent, or Firm* — Design IP

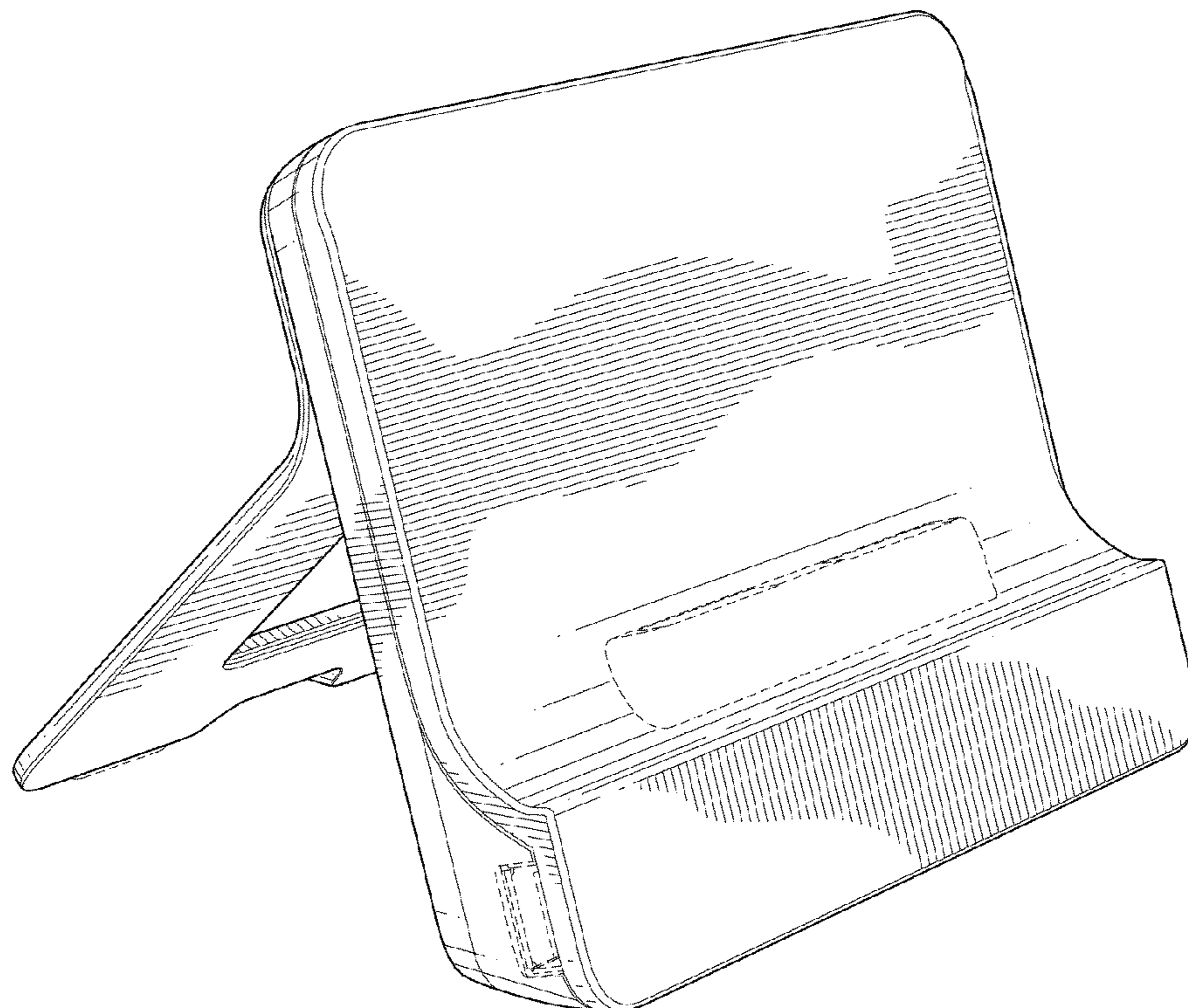
(57) **CLAIM**
The ornamental design for a dock for tablet computer, as shown and described.

DESCRIPTION

FIG. 1 is a front perspective view of a dock for tablet computer showing our design;
FIG. 2 is a rear perspective view thereof;
FIG. 3 is a front view thereof;
FIG. 4 is a rear view thereof;
FIG. 5 is a top view thereof;
FIG. 6 is a bottom view thereof;
FIG. 7 is a left side view thereof; and,
FIG. 8 is a right side view thereof.
The dashed lines shown in FIGS. 1-8 are included for the purpose of illustrating environmental subject matter only and form no part of the claimed design.

(56) **References Cited**
U.S. PATENT DOCUMENTS
D363,473 S * 10/1995 Leman D14/434
5,933,812 A * 8/1999 Meyer et al. 705/15
6,208,508 B1 * 3/2001 Ruch et al. 361/679.55
D442,141 S * 5/2001 Ikenaga D13/107
D472,900 S * 4/2003 Matsumoto D14/447

1 Claim, 6 Drawing Sheets



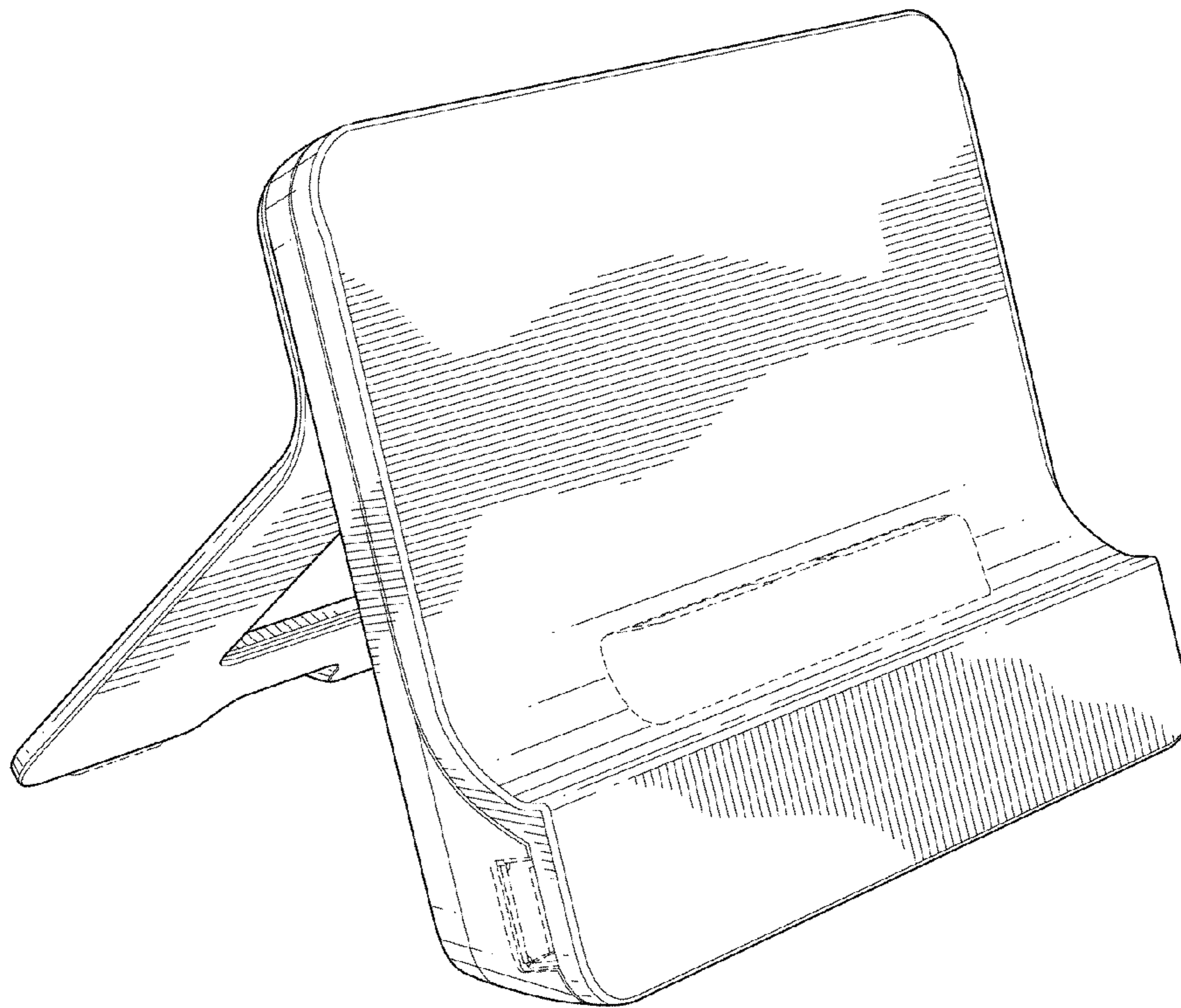


FIG. 1

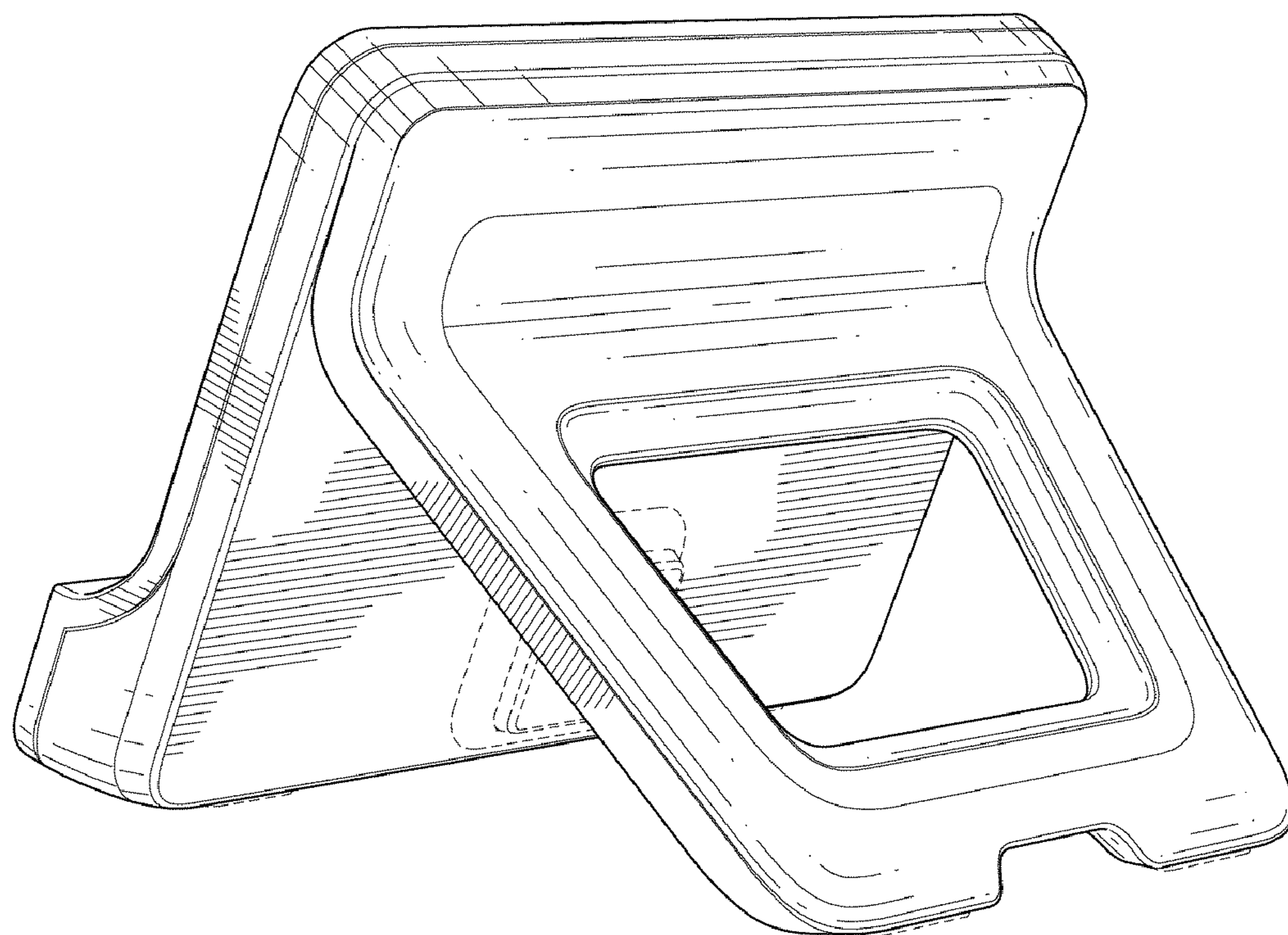


FIG.2

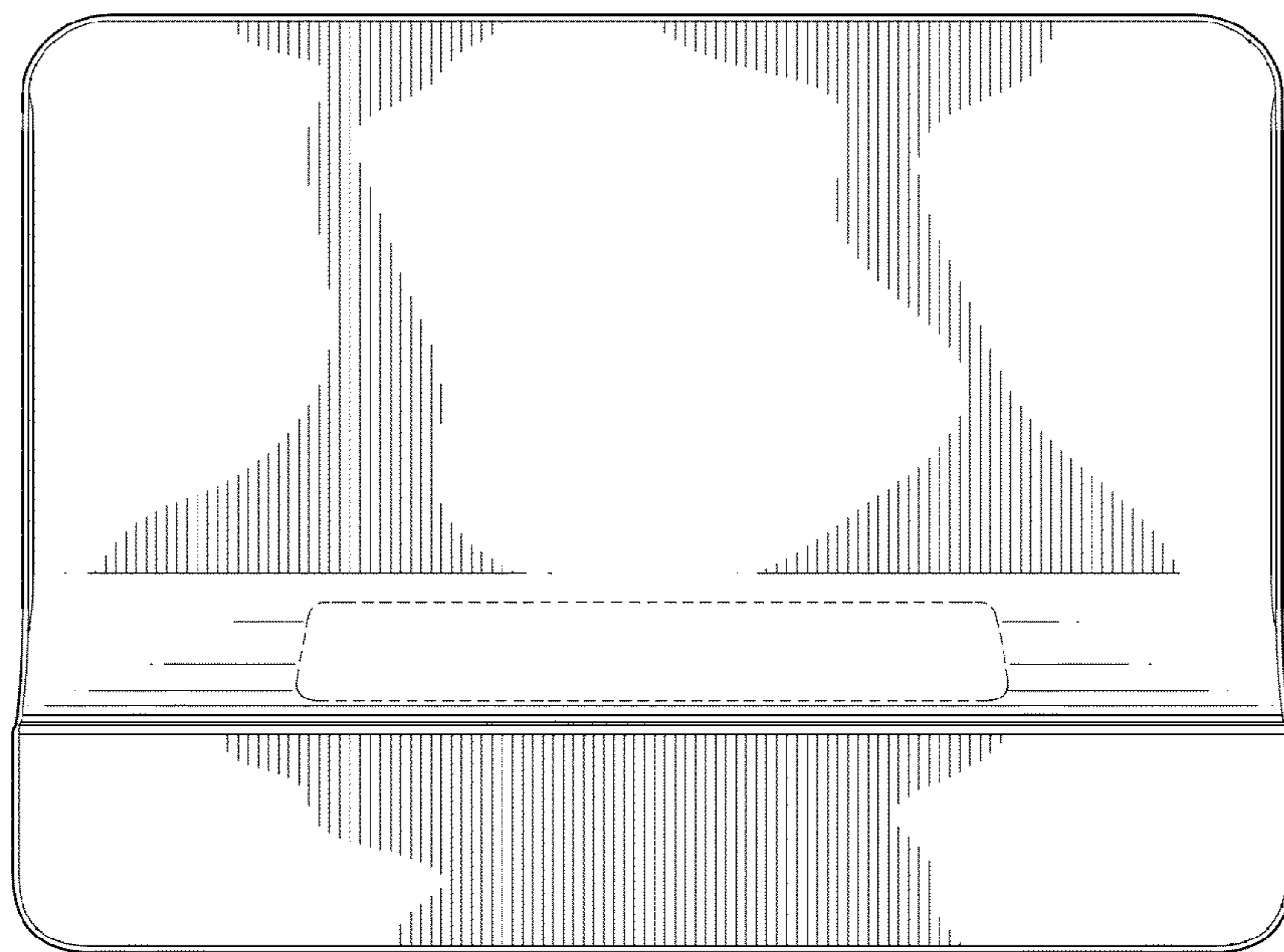


FIG. 3

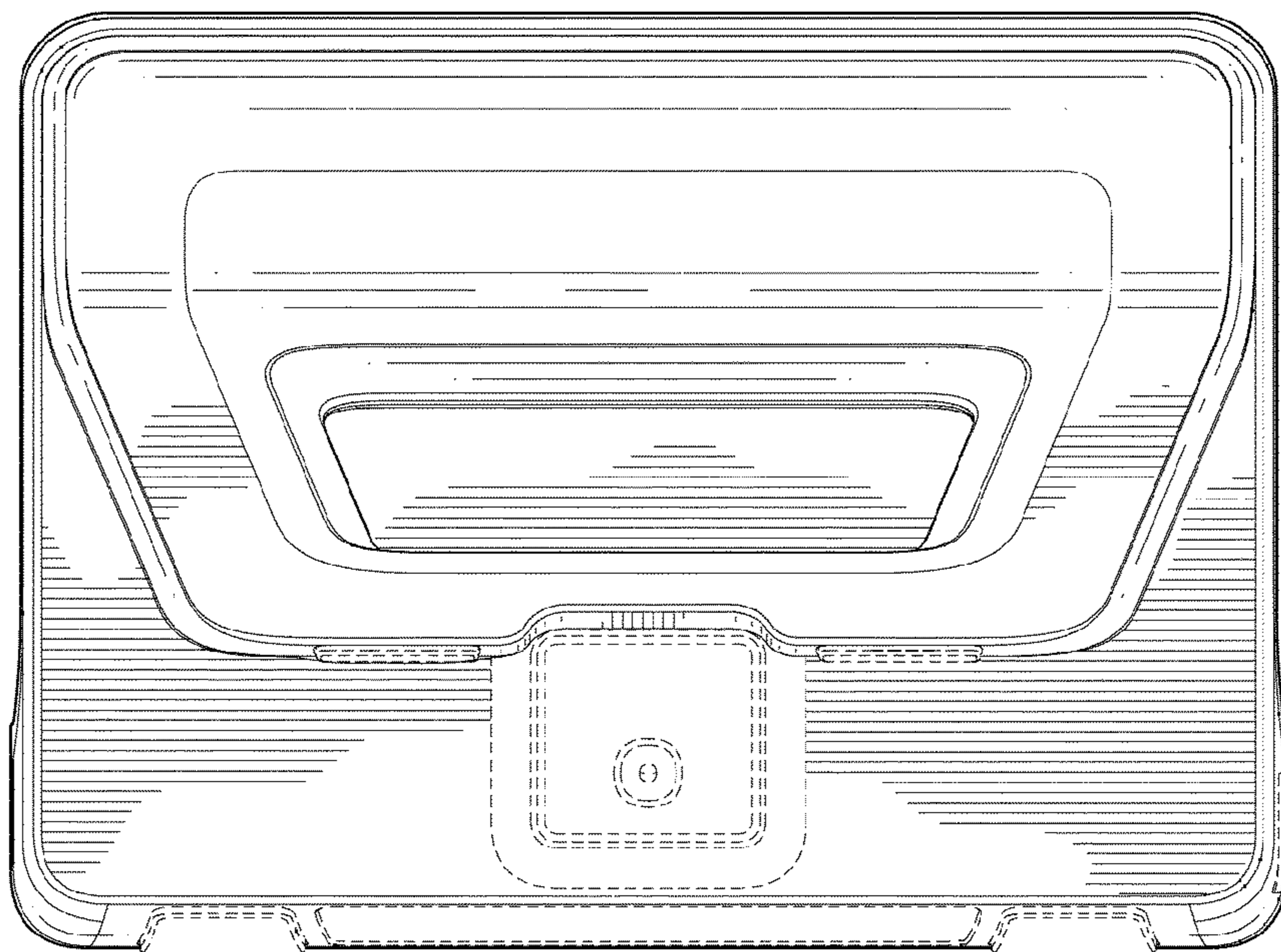


FIG. 4

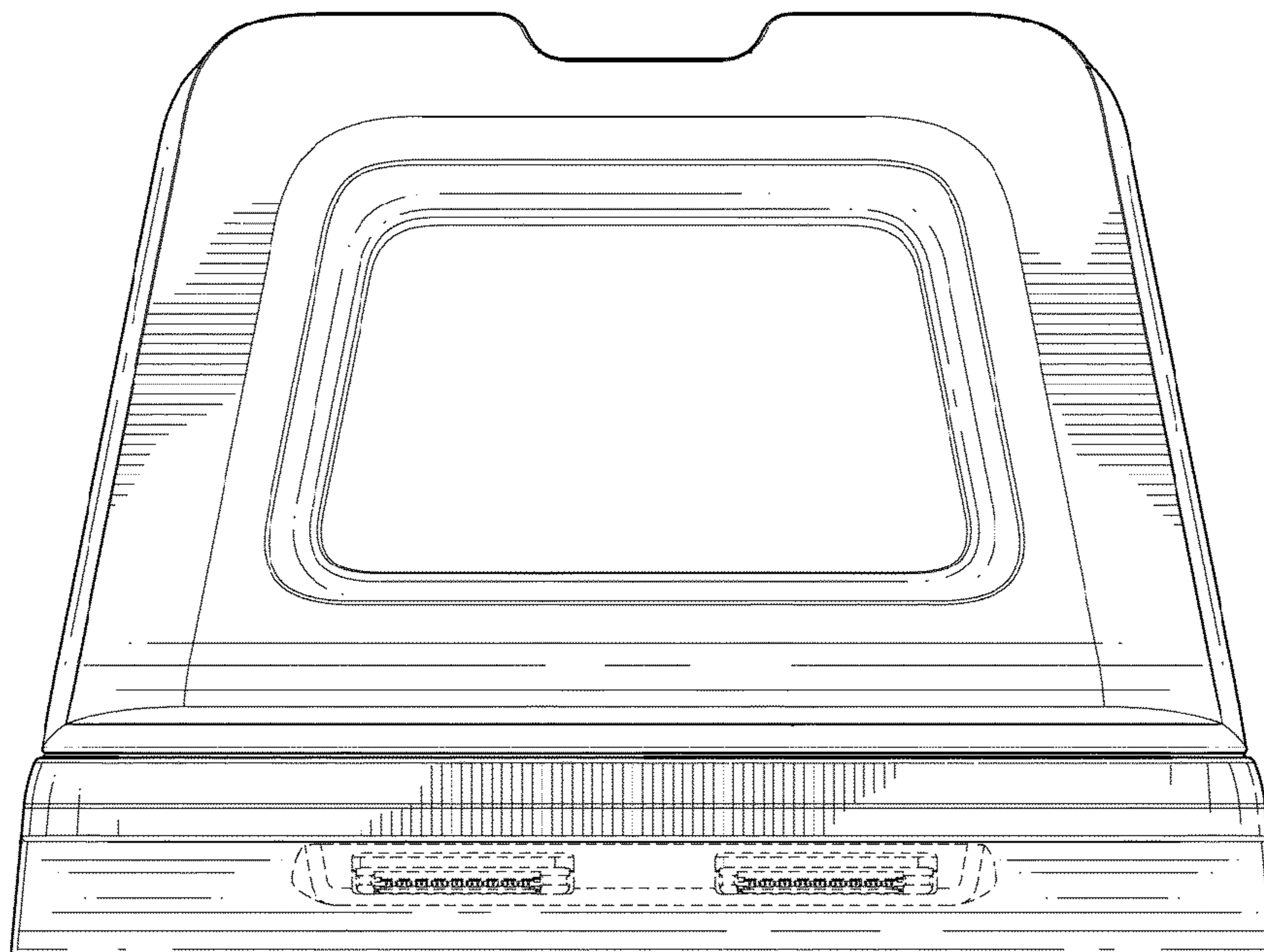


FIG. 5

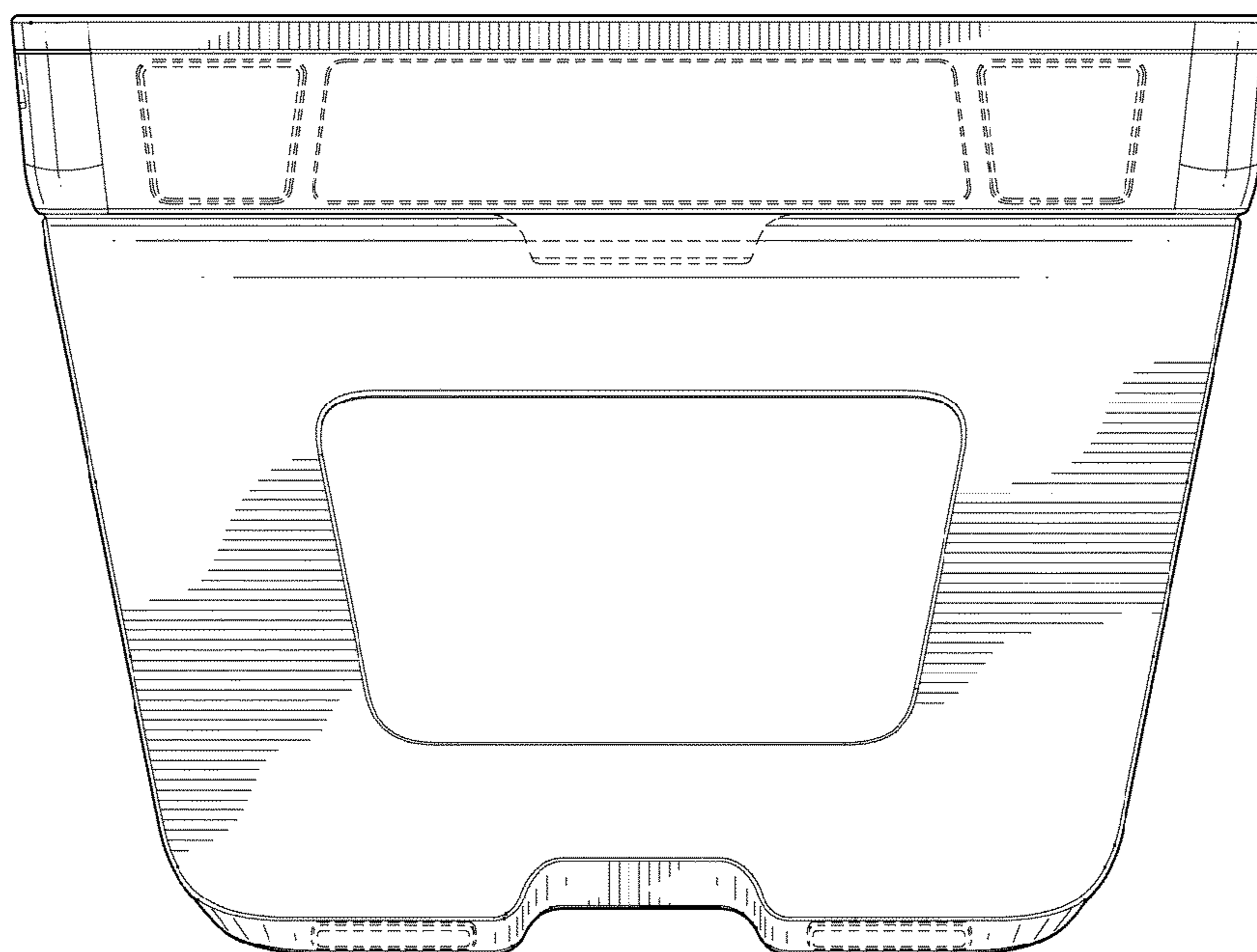


FIG. 6

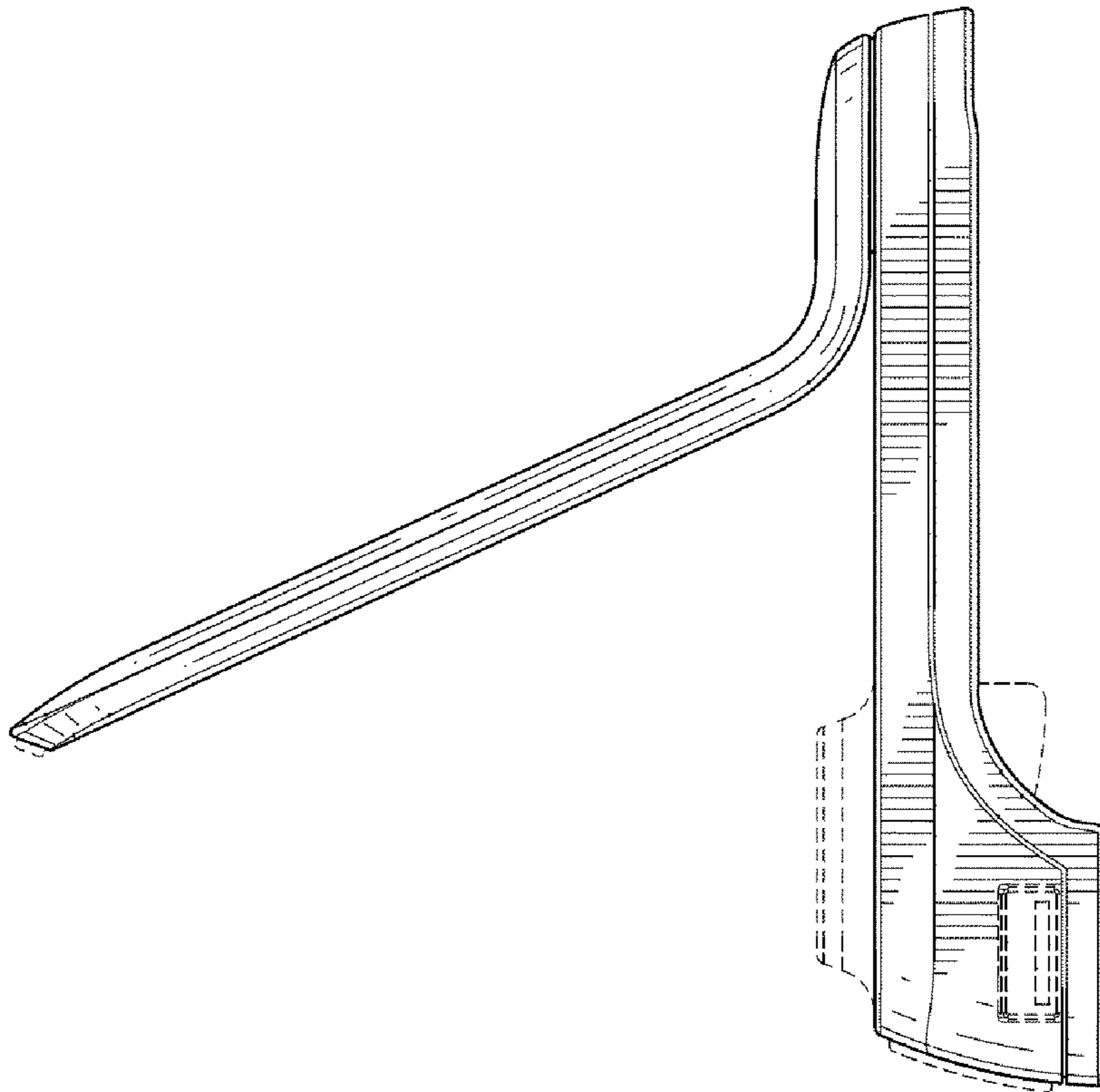


FIG. 7

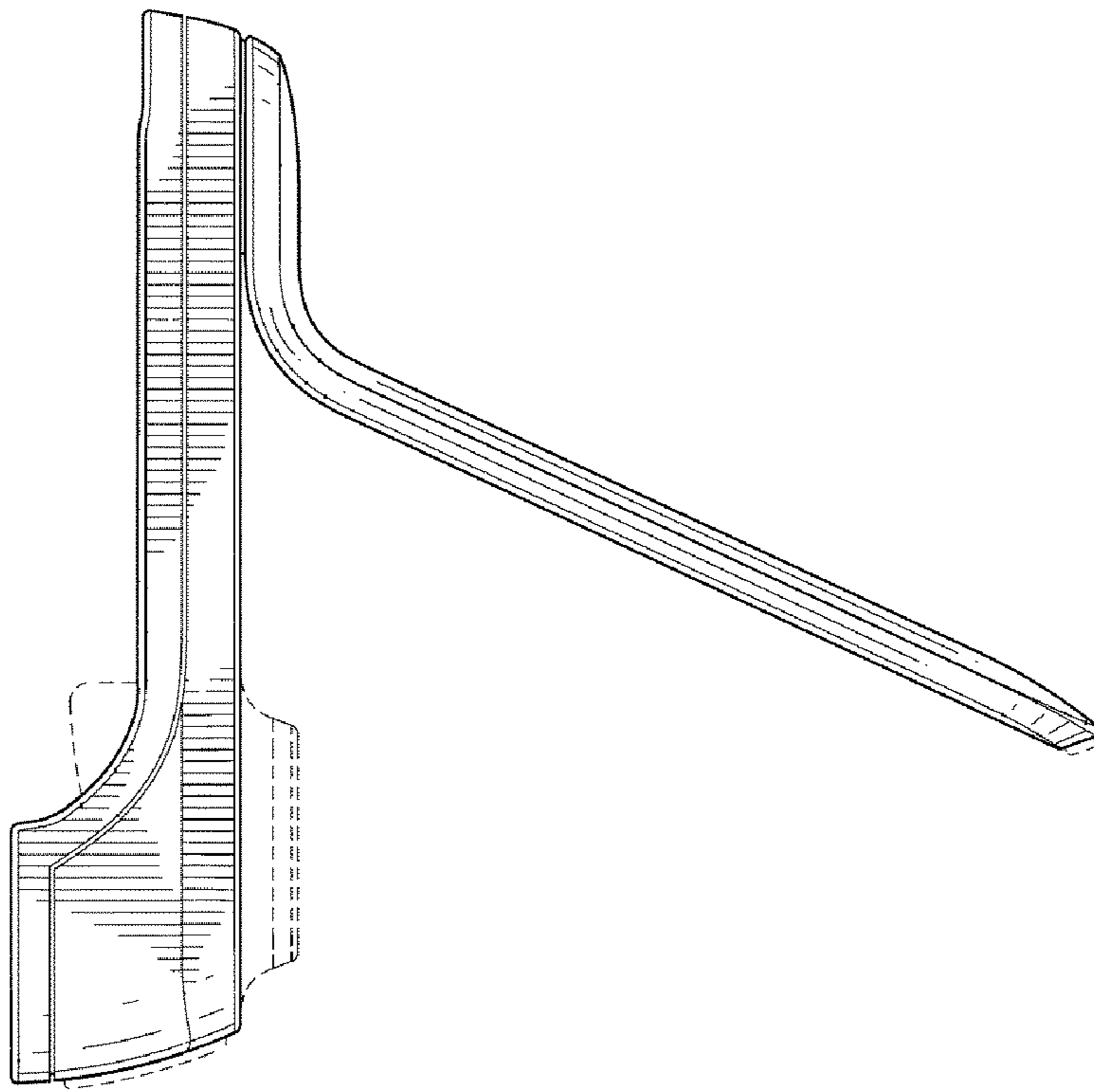


FIG. 8