



US00D652832S

(12) **United States Design Patent**
Wu et al.

(10) **Patent No.:** **US D652,832 S**
(45) **Date of Patent:** **** Jan. 24, 2012**

(54) **DUAL SCREEN PERSONAL COMPUTER**

(75) Inventors: **Chun-Ting Wu**, Taipei County (CN);
Chen-Pang Chuang, Taipei County 235
(CN)

(73) Assignee: **Imerj LLC**, Broomfield, CO (US)

(**) Term: **14 Years**

(21) Appl. No.: **29/386,130**

(22) Filed: **Feb. 24, 2011**

(51) **LOC (9) Cl.** **14-02**

(52) **U.S. Cl.** **D14/373**

(58) **Field of Classification Search** D14/341–345,
D14/371–376, 125–129, 316; 248/917–924,
248/371, 121, 176.1, 278.1; 341/12; 345/104,
345/156, 173, 174, 901–905, 1.1, 1.3, 5,
345/6; 348/180, 184, 352, 739; 349/1, 2,
349/11, 62; 361/679.04, 679.08, 679.09

See application file for complete search history.

(56) **References Cited**

U.S. PATENT DOCUMENTS

5,590,021	A *	12/1996	Register	361/679.21
6,222,507	B1 *	4/2001	Gouko	345/1.1
6,302,612	B1 *	10/2001	Fowler et al.	403/76
6,532,146	B1 *	3/2003	Duquette	361/679.04
6,667,877	B2 *	12/2003	Duquette	361/679.04
6,667,878	B2 *	12/2003	Ponx	361/679.04
6,690,585	B2	2/2004	Betts-La Croix	
7,054,963	B2	5/2006	Betts-La Croix	
7,054,965	B2	5/2006	Bell et al.	
D524,809	S	7/2006	Alcouloumre et al.	
7,247,032	B2	7/2007	Merz	
7,274,355	B2	9/2007	Betts-La Croix et al.	
7,285,021	B2	10/2007	Bell et al.	
7,352,332	B1	4/2008	Betts-La Croix et al.	
7,353,053	B2	4/2008	Prichard et al.	

7,357,648	B2	4/2008	Merz	
7,372,454	B2	5/2008	Betts-La Croix	
7,390,197	B2	6/2008	Merz	
D579,451	S	10/2008	Ward et al.	
D581,935	S	12/2008	Merz	
7,462,073	B2	12/2008	Bell et al.	
7,493,500	B2	2/2009	Chin et al.	
7,518,860	B2	4/2009	Chin et al.	
7,537,485	B2	5/2009	Bell et al.	
D602,938	S	10/2009	Ward et al.	
7,810,222	B2	10/2010	Ward et al.	
D628,199	S *	11/2010	Yukikado et al.	D14/374
D630,628	S *	1/2011	Kovac	D14/327
7,991,442	B2 *	8/2011	Kim	455/575.4
2009/0122474	A1 *	5/2009	Mickey et al.	361/679.04
2010/0124006	A1 *	5/2010	Chang	361/679.04

* cited by examiner

Primary Examiner — Freda S Nunn

(74) *Attorney, Agent, or Firm* — Haverstock & Owens LLP

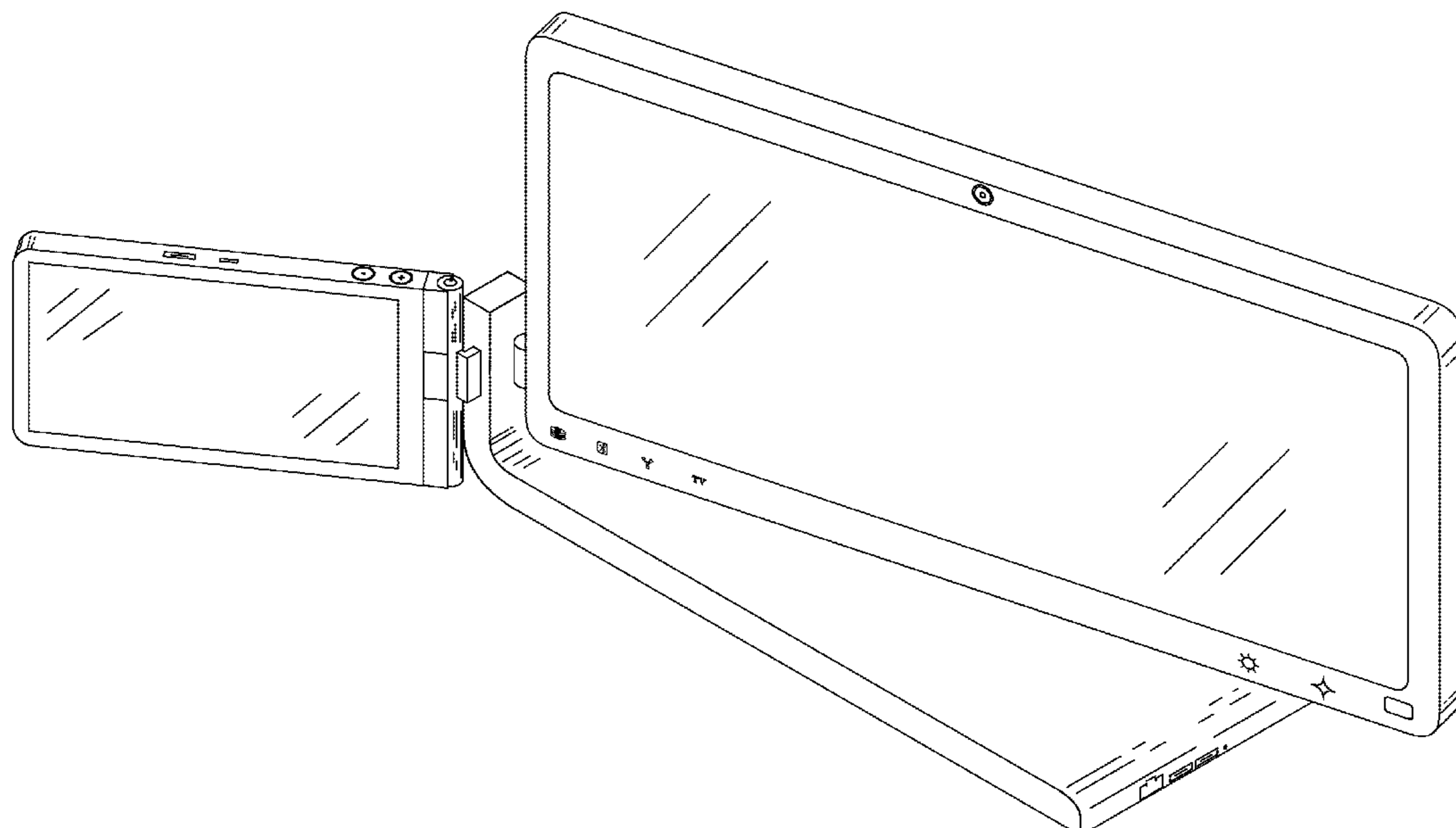
(57) **CLAIM**

We claim the ornamental design for a dual screen personal computer, as shown and described.

DESCRIPTION

FIG. 1 is a top view of the dual screen personal computer;
FIG. 2 is a bottom view thereof;
FIG. 3 is a front view thereof;
FIG. 4 is a back view thereof;
FIG. 5 is a left side view thereof;
FIG. 6 is a right side view thereof;
FIG. 7 is a perspective view thereof;
FIG. 8 is a perspective view thereof, with the main display screen swiveled horizontally on a rotating, swiveling hinge, and the small display swiveled horizontally on a hinge; and,
FIG. 9 is a perspective view thereof, with the main display screen swiveled vertically on a rotating, swiveling hinge, and the small display swiveled horizontally on a hinge.

1 Claim, 9 Drawing Sheets



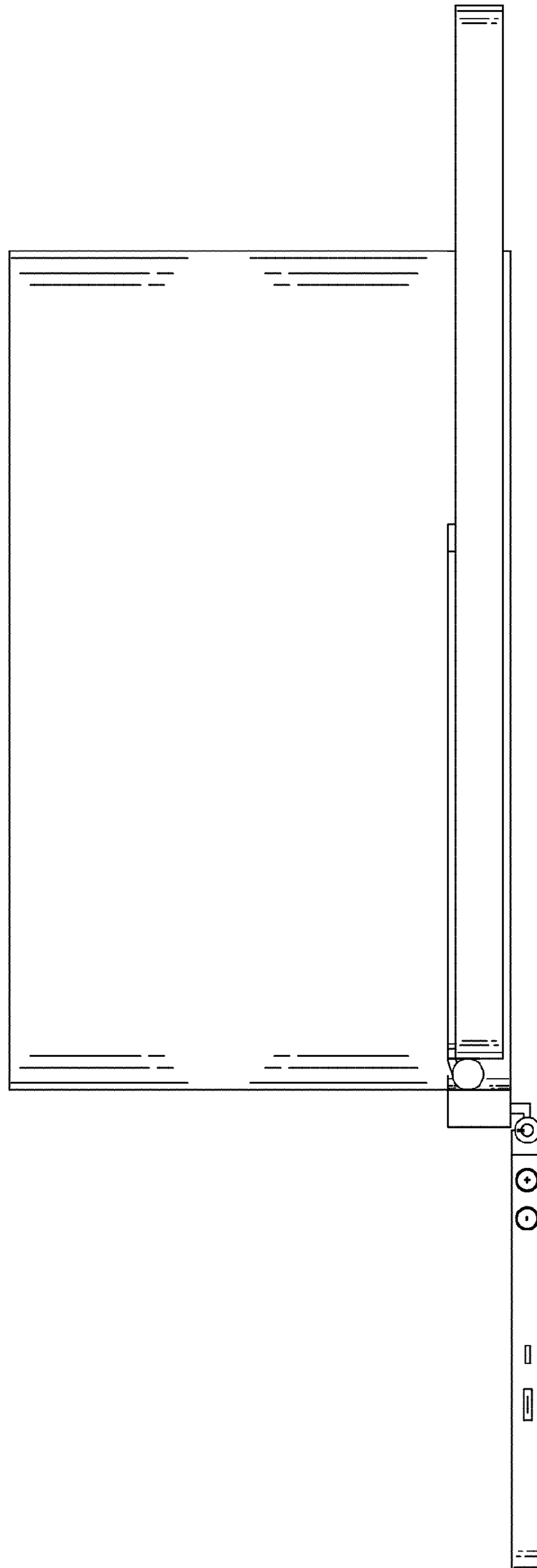


Fig. 1

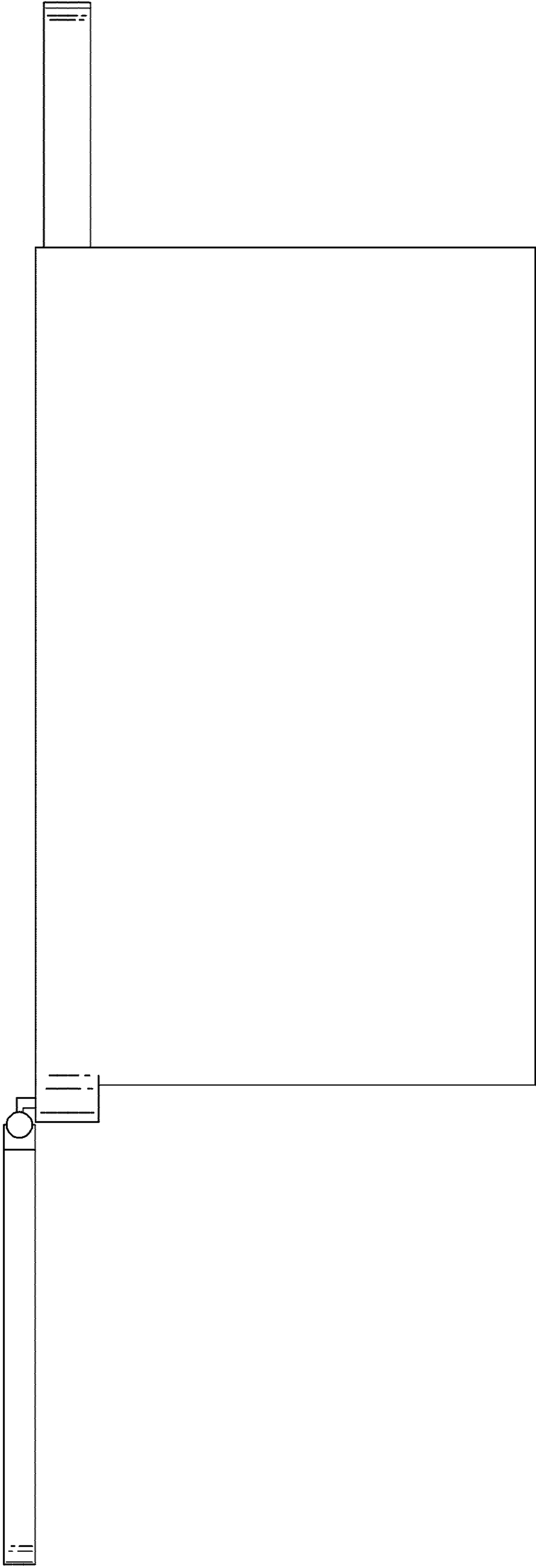


Fig. 2

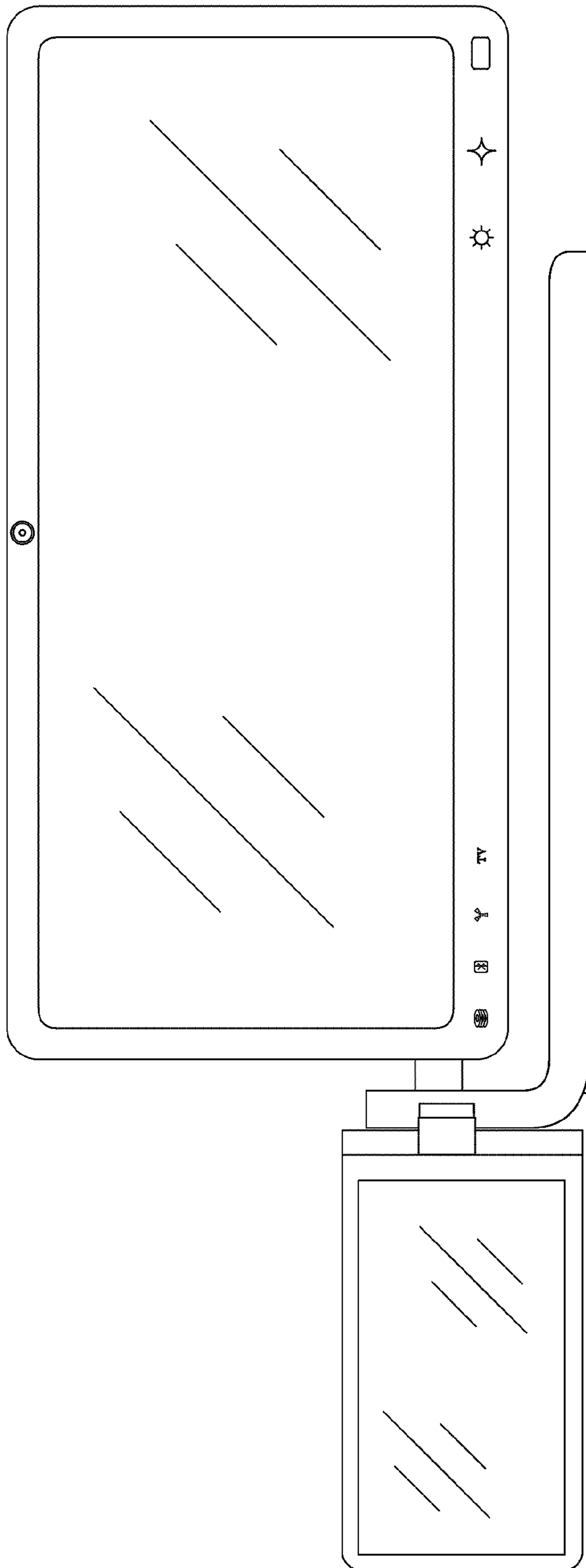


Fig. 3

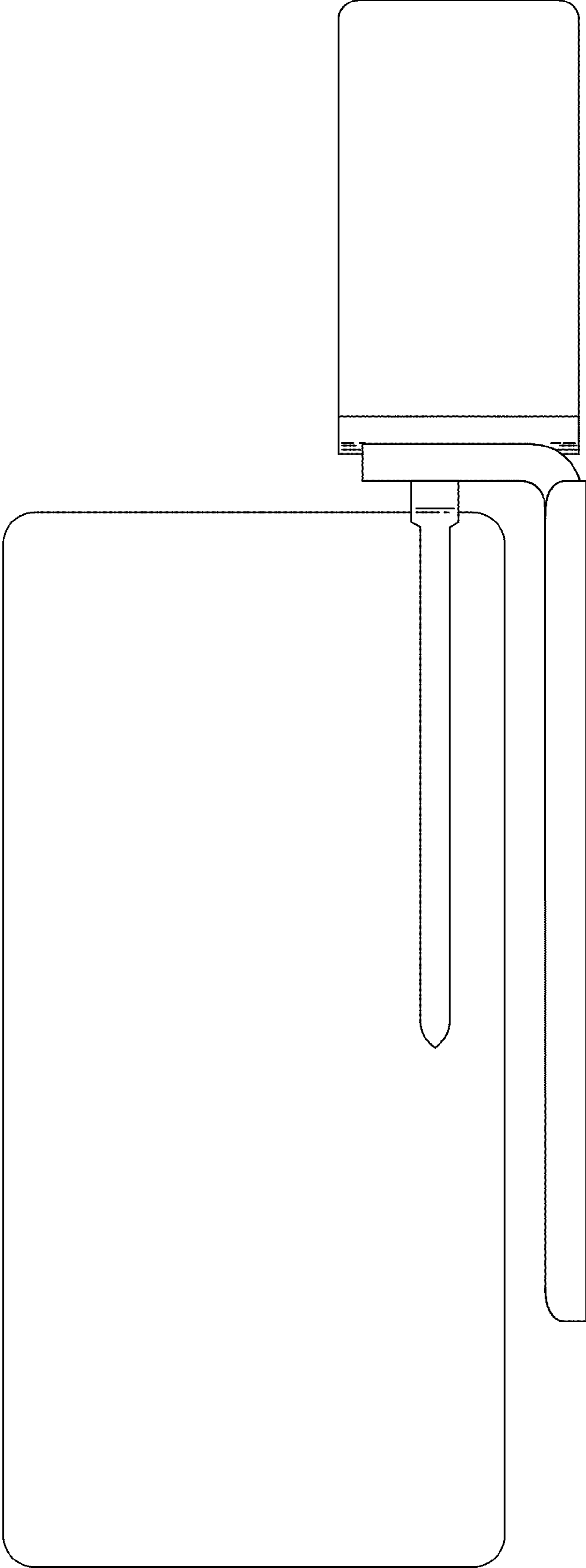


Fig. 4

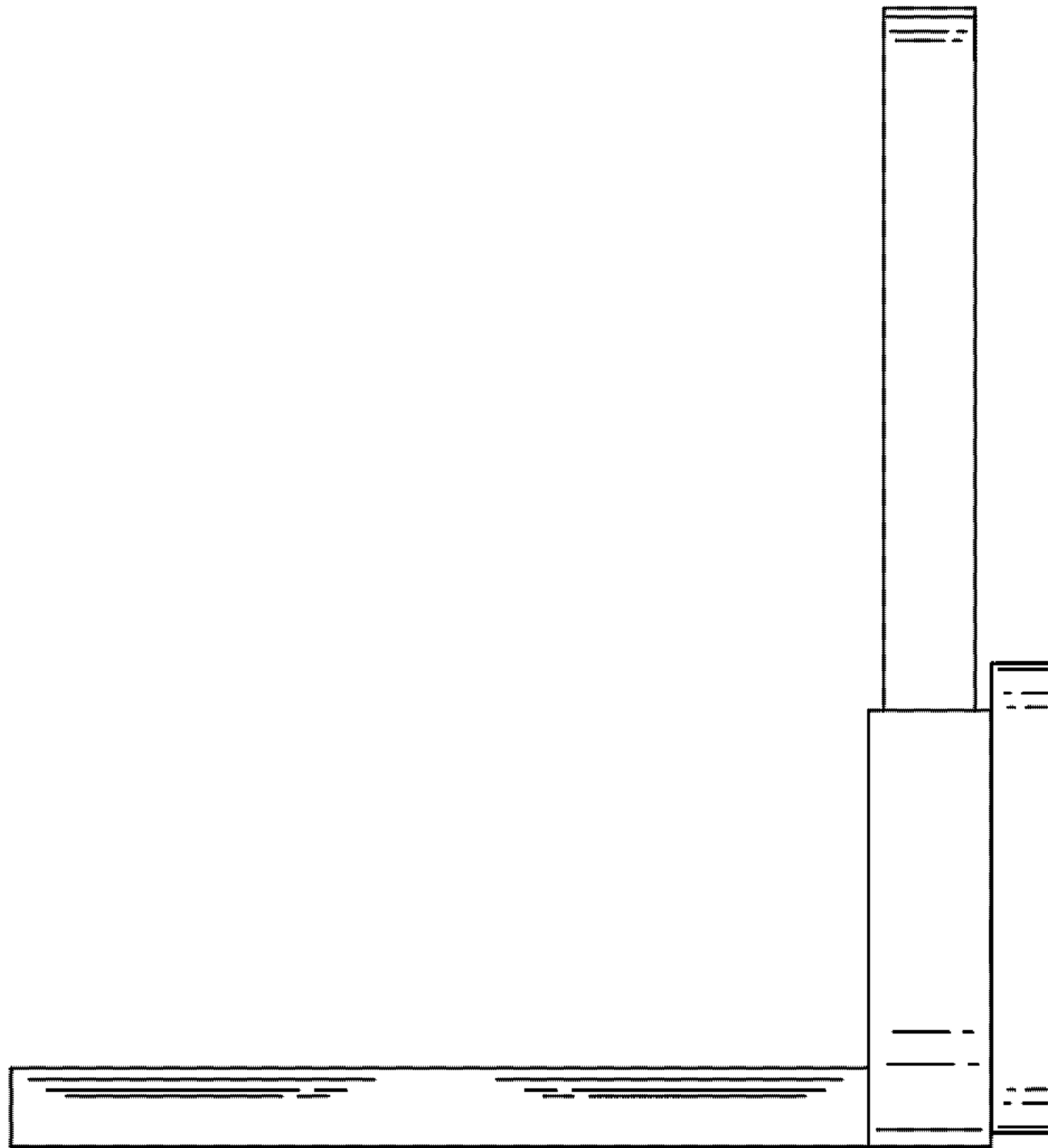


Fig. 5

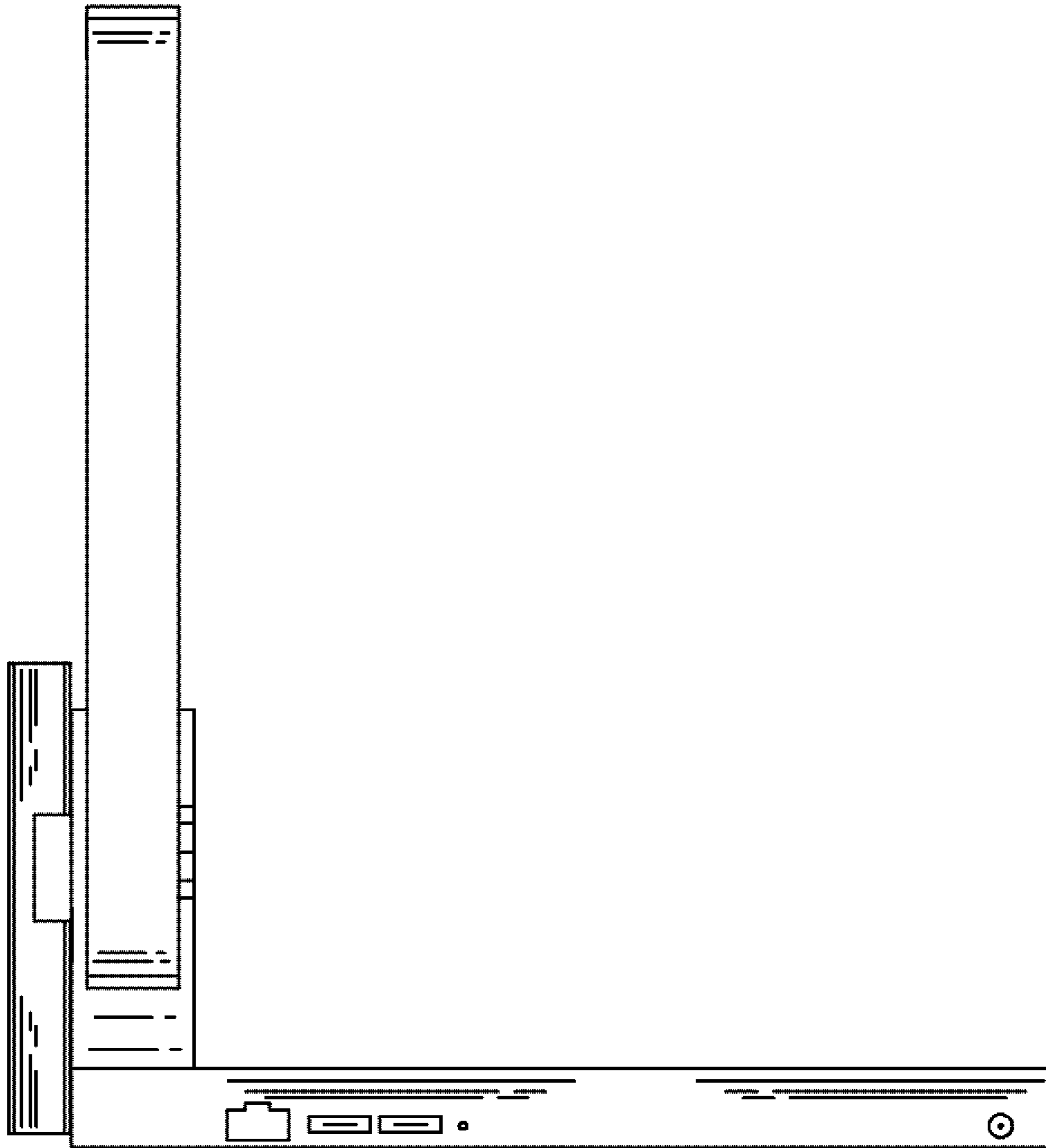


Fig. 6

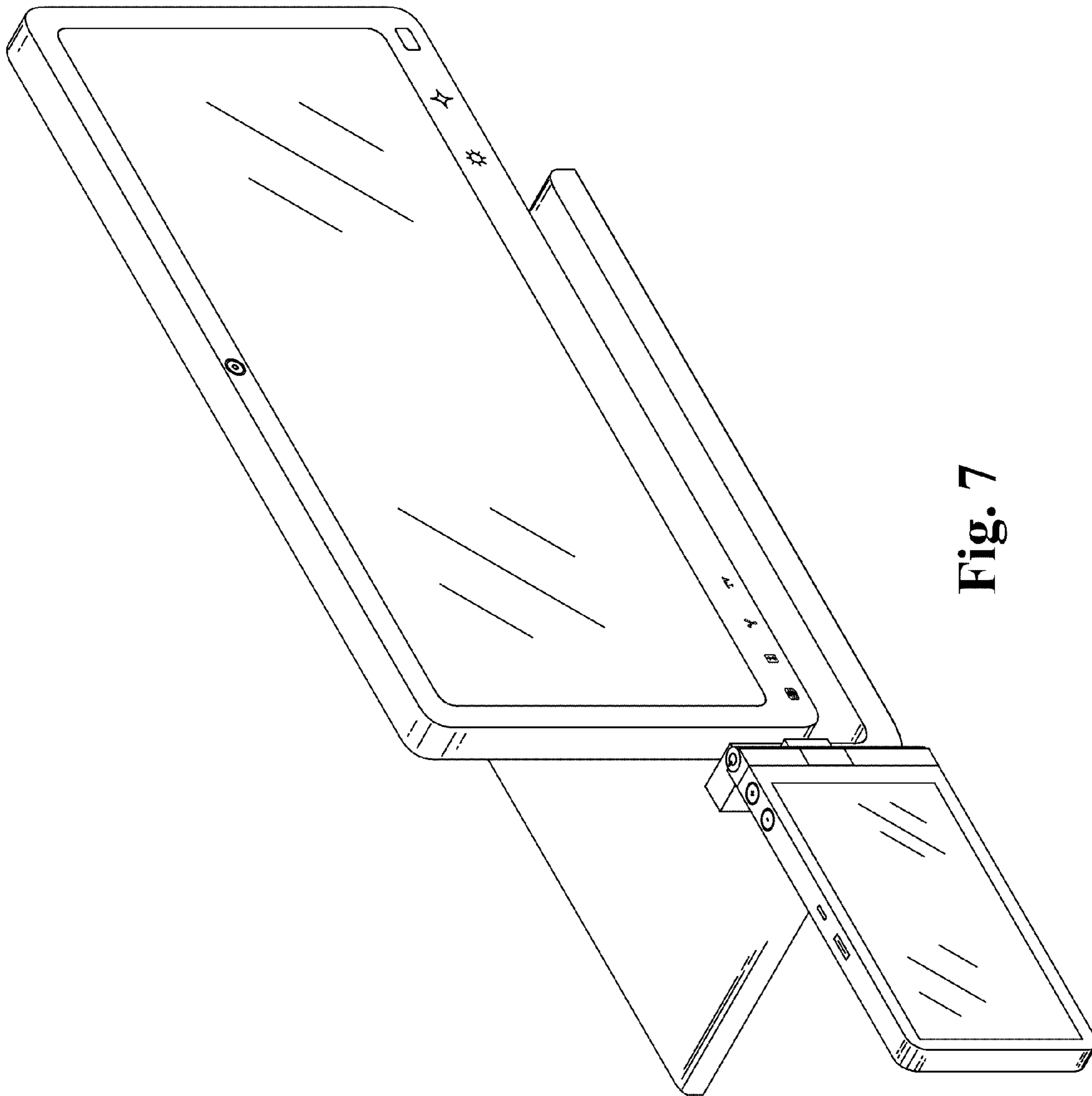


Fig. 7

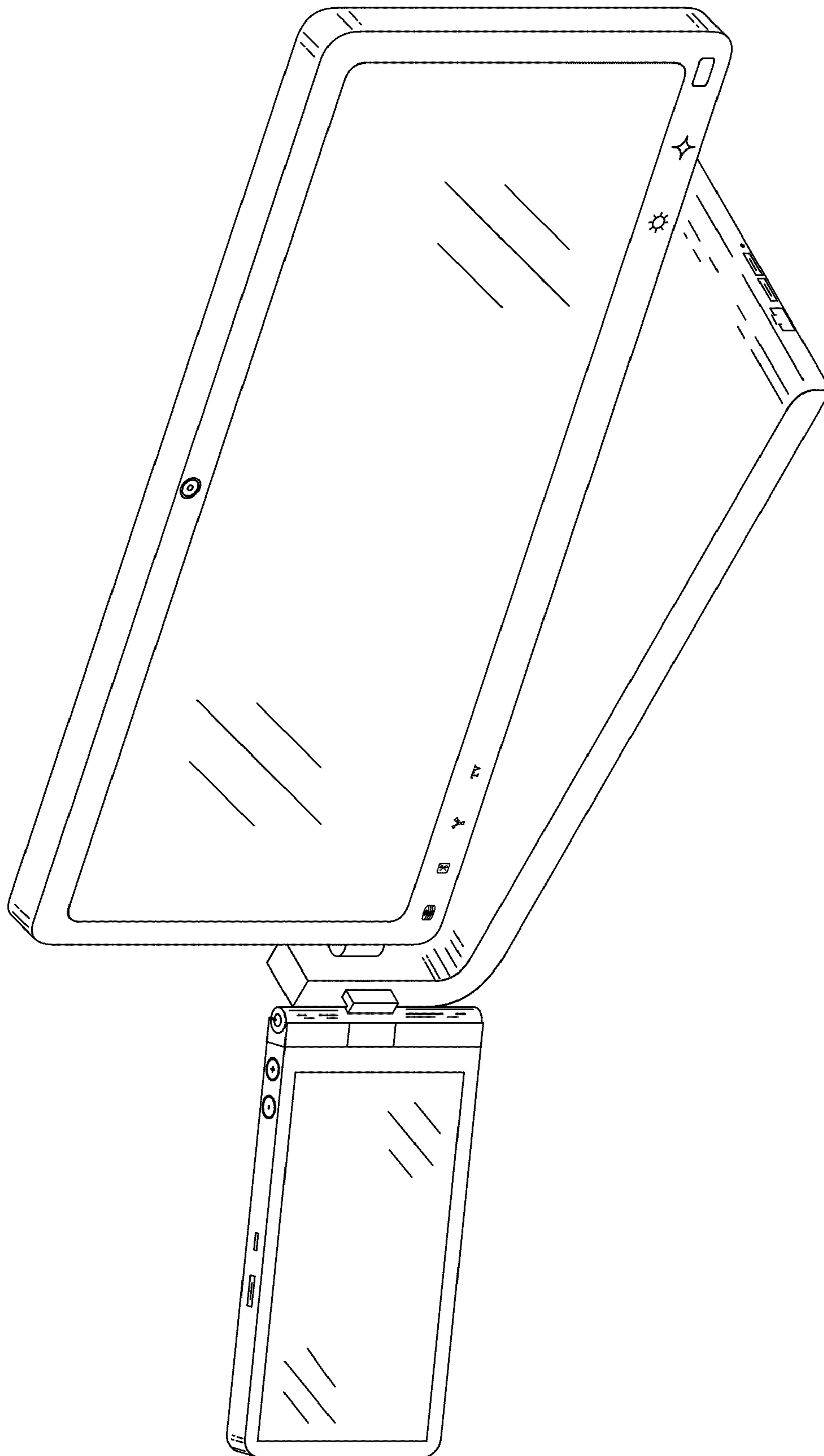


Fig. 8

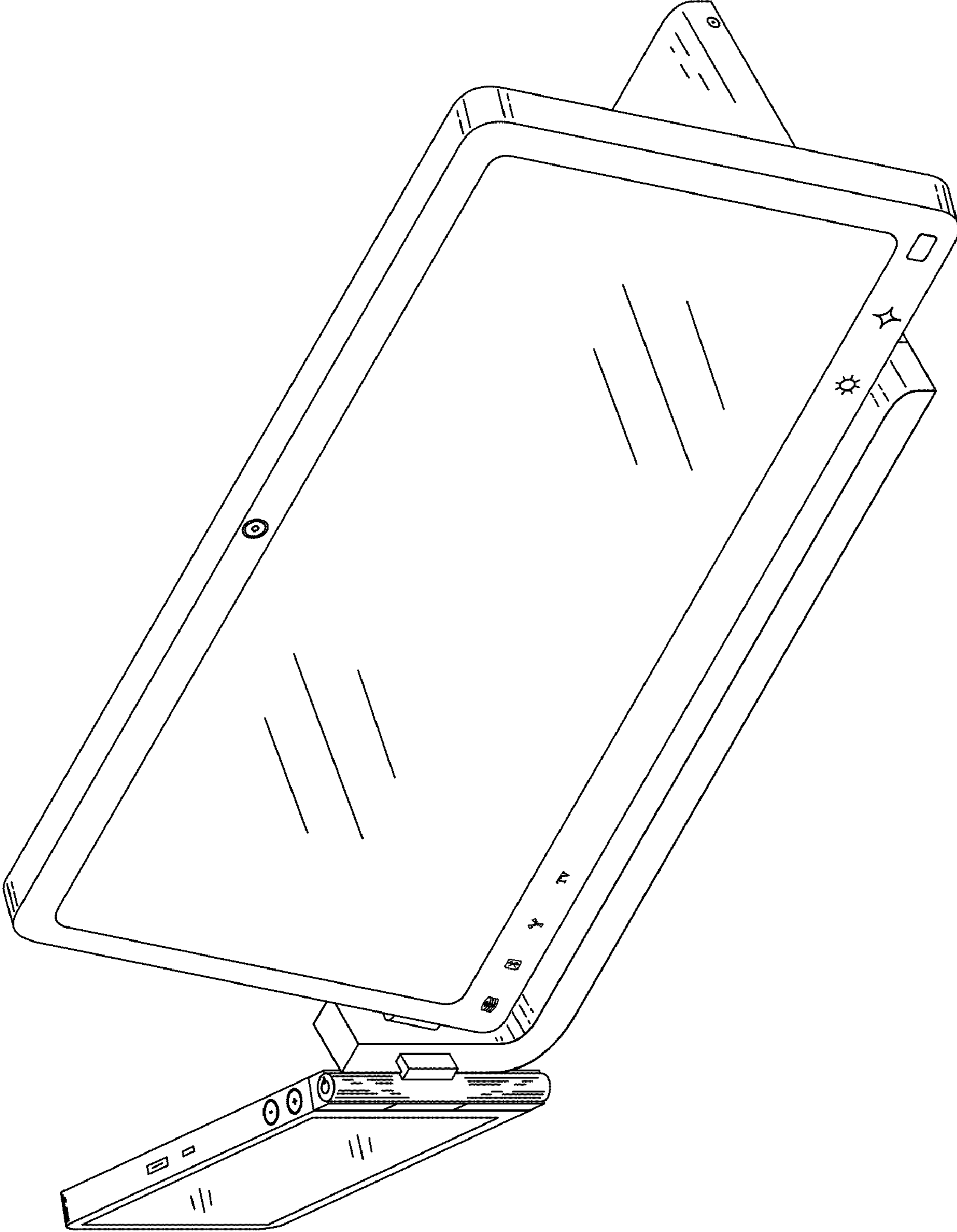


Fig. 9