



US00D652826S

(12) **United States Design Patent**
Lu

(10) **Patent No.:** **US D652,826 S**
(45) **Date of Patent:** **** Jan. 24, 2012**

(54) **PEDESTAL FOR A TELEVISION SET**

(75) Inventor: **Yen-Wen Lu**, Taipei (TW)

(73) Assignee: **Compal Electronics, Inc.**, Taipei (TW)

(**) Term: **14 Years**

(21) Appl. No.: **29/396,696**

(22) Filed: **Jul. 6, 2011**

(51) **LOC (9) Cl.** **14-03**

(52) **U.S. Cl.** **D14/239**

(58) **Field of Classification Search** D14/125-134,
D14/239, 371, 136, 374-377; D8/363, 373,
D8/349, 394; 248/465, 917-924, 123.11;
348/825, 827, 836, 837, 838, 180, 184, 325,
348/739; 600/443; D6/477-479, 407, 474,
D6/460, 461, 468, 396, 397, 418, 449, 466;
312/7.2; 341/12; 345/87, 104, 133, 156,
345/168, 169, 173; 720/605, 669, 600, 655;
369/99, 197; 455/344-347; 349/1, 2, 11,
349/62; 108/59, 96, 28, 91-93, 144.11, 147.11,
108/147.17, 150; 211/40, 41.12, 42, 49.1,
211/50, 85.2, 90.04, 187, 190, 119.003, 134.153,
211/87.01, 71.01

See application file for complete search history.

(56) **References Cited**

U.S. PATENT DOCUMENTS

D412,161 S * 7/1999 Theis et al. D14/447
D482,039 S * 11/2003 Chen et al. D14/447

D533,169 S * 12/2006 Lee et al. D14/239
D538,627 S * 3/2007 Chiu et al. D14/374
D548,227 S * 8/2007 Wang et al. D14/239
D548,229 S * 8/2007 Tanigawa et al. D14/239
D588,117 S * 3/2009 Arai D14/239
D606,953 S * 12/2009 Shin et al. D14/126
D614,185 S * 4/2010 Chien D14/374
D631,023 S * 1/2011 Kim et al. D14/126
D635,980 S * 4/2011 Hung D14/451
D637,602 S * 5/2011 Brechbuhler D14/451

* cited by examiner

Primary Examiner — Raphael Barkai

Assistant Examiner — Randall Gholson

(74) *Attorney, Agent, or Firm* — CKC & Partners Co., Ltd.

(57) **CLAIM**

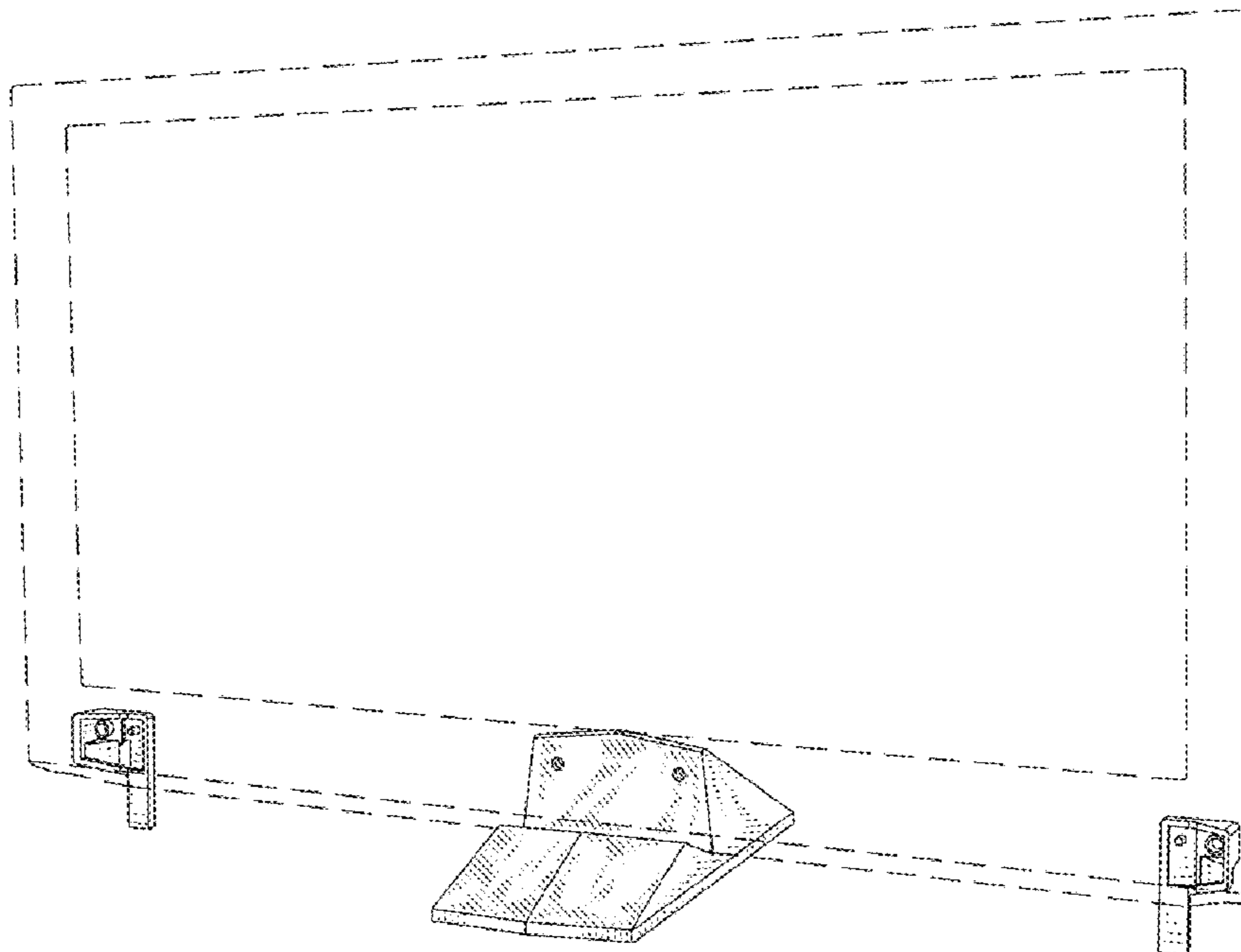
The ornamental design for a pedestal for a television set, as shown and described.

DESCRIPTION

FIG. 1 is a perspective view of a pedestal for a television set showing my new design;
FIG. 2 is a front view thereof;
FIG. 3 is a rear view thereof;
FIG. 4 is a left side view thereof;
FIG. 5 is a right side view thereof;
FIG. 6 is a top view thereof; and,
FIG. 7 is a bottom view thereof.

The broken line showing of the remainder of the television is for illustrative purposes only and forms no part of the claimed design

1 Claim, 6 Drawing Sheets



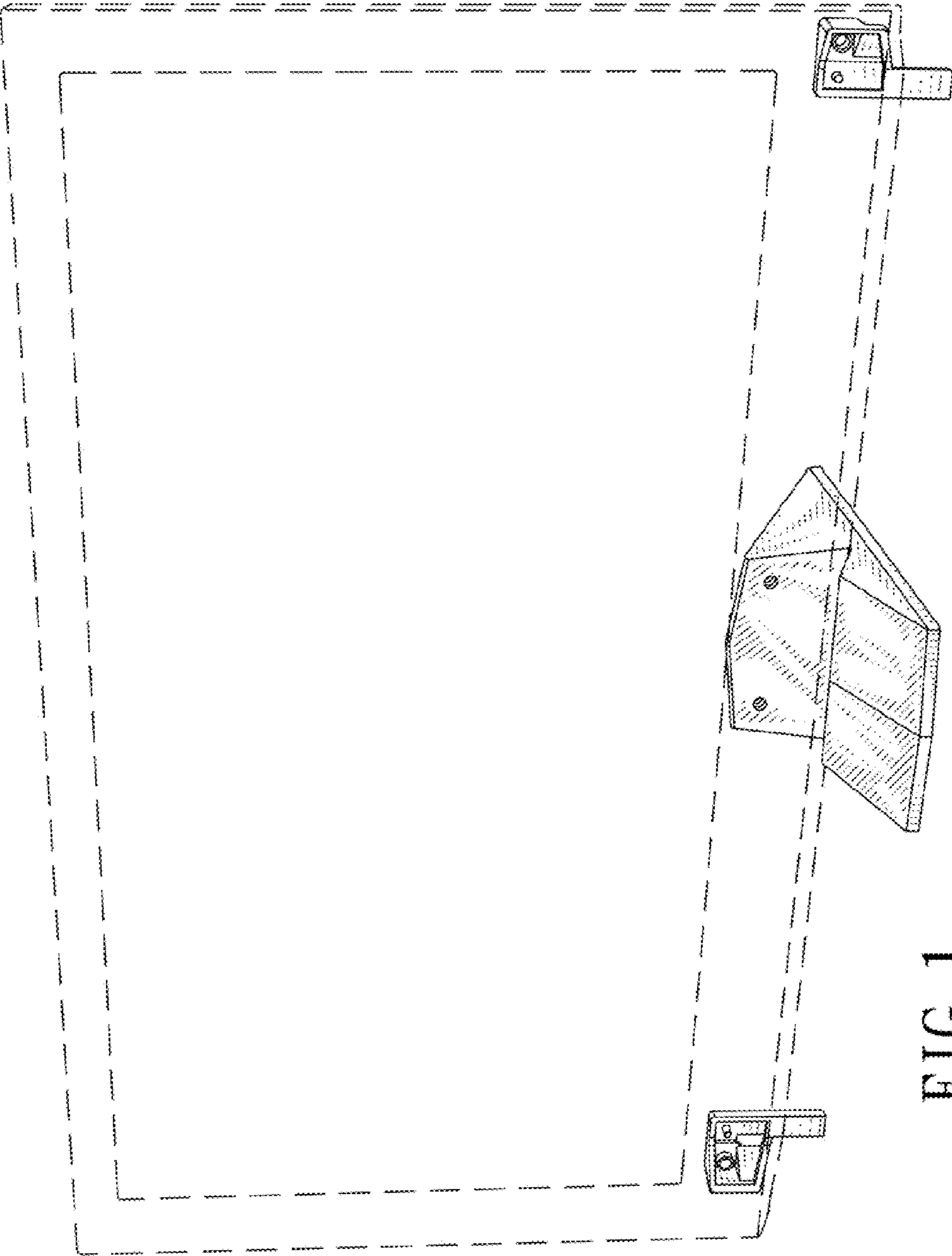


FIG. 1

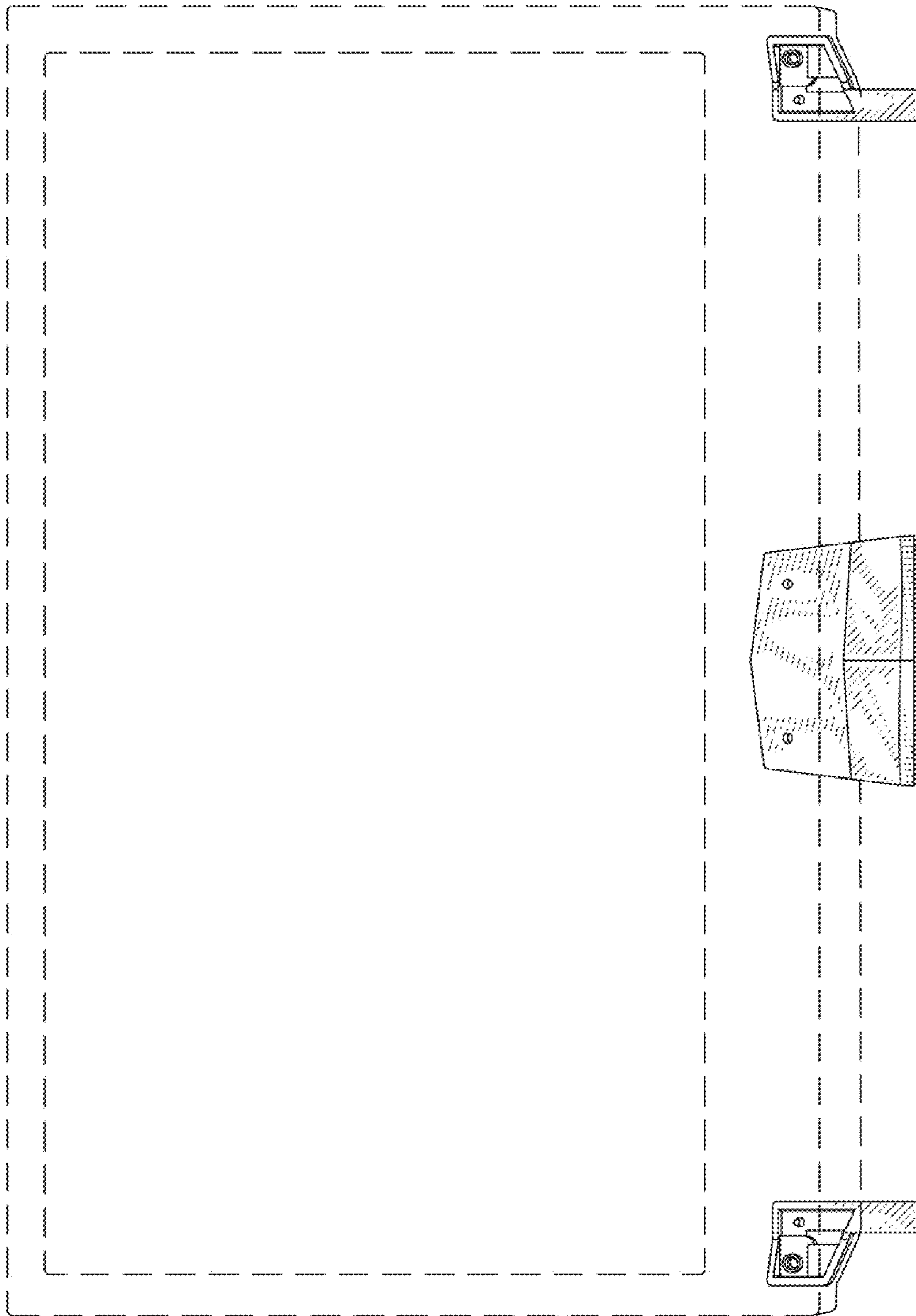


FIG. 2

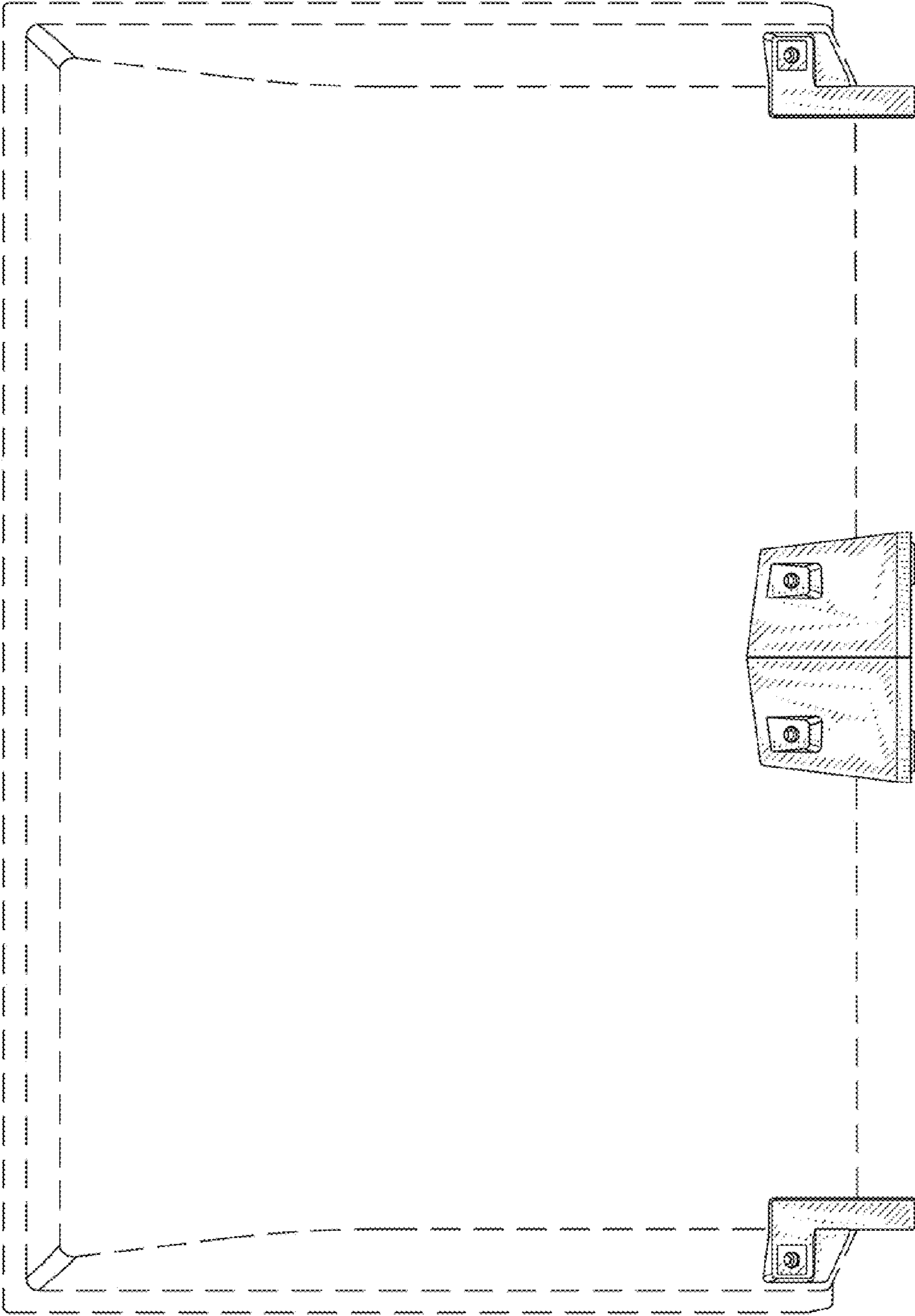


FIG. 3

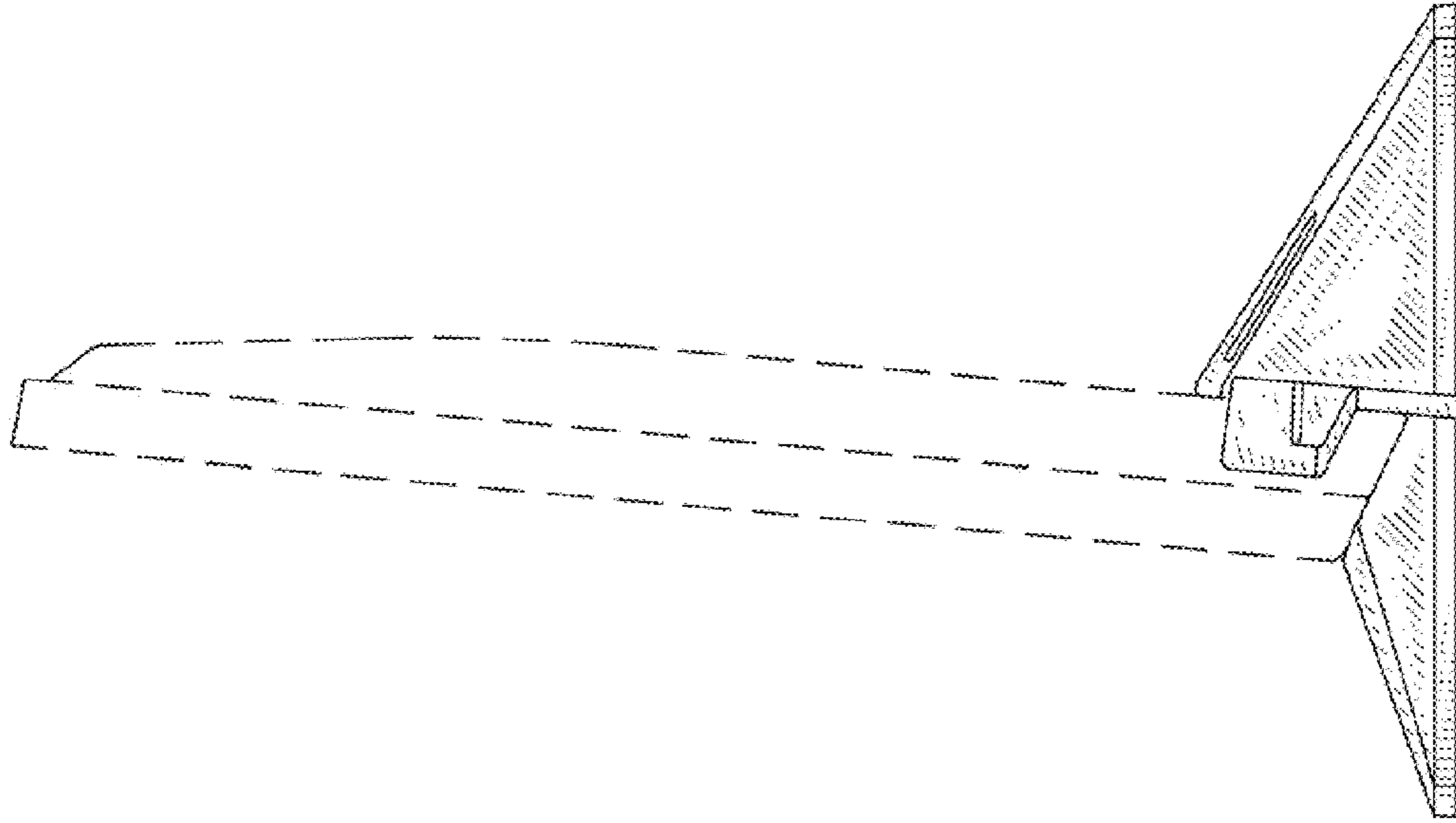


FIG. 5

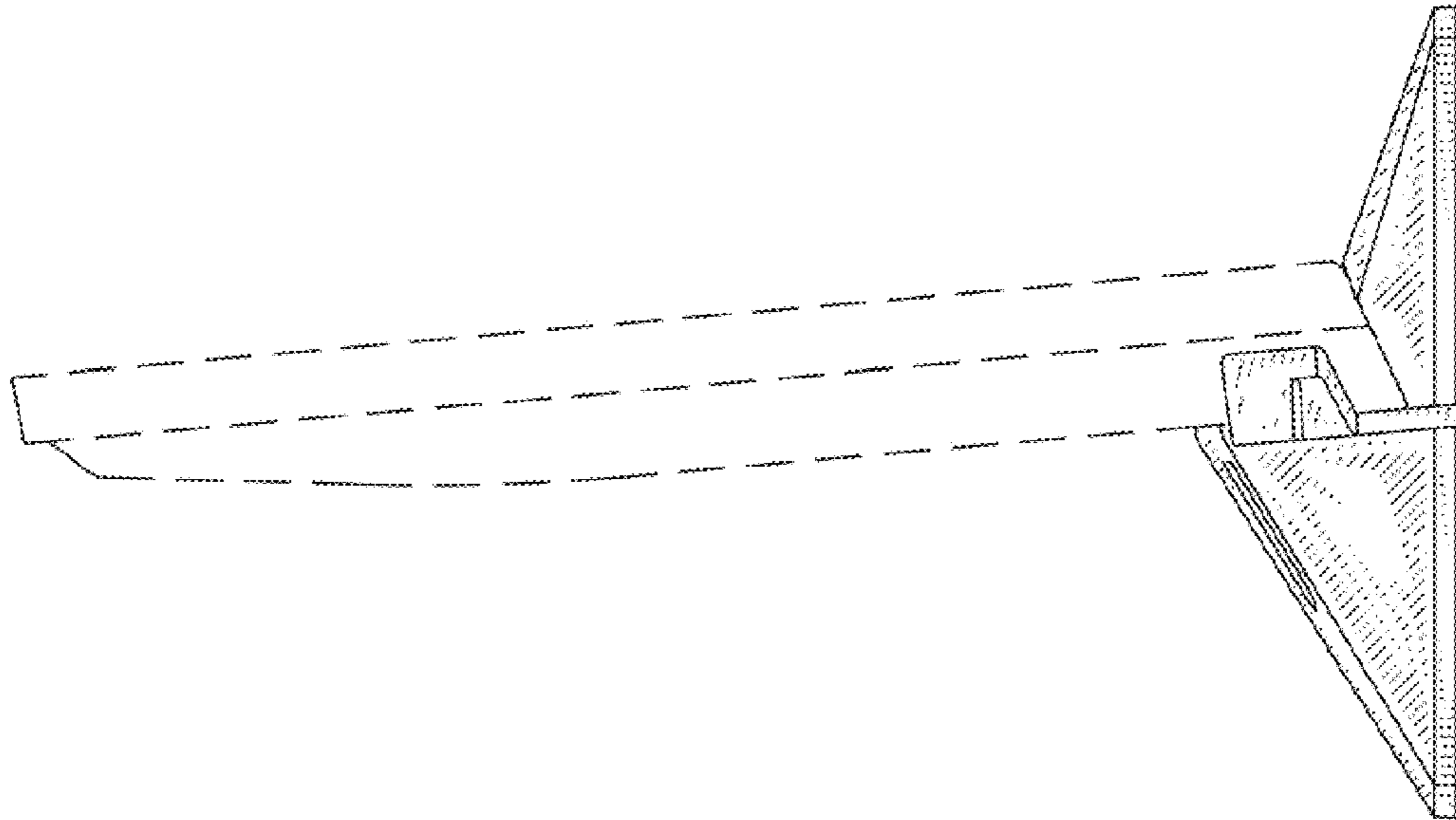


FIG. 4

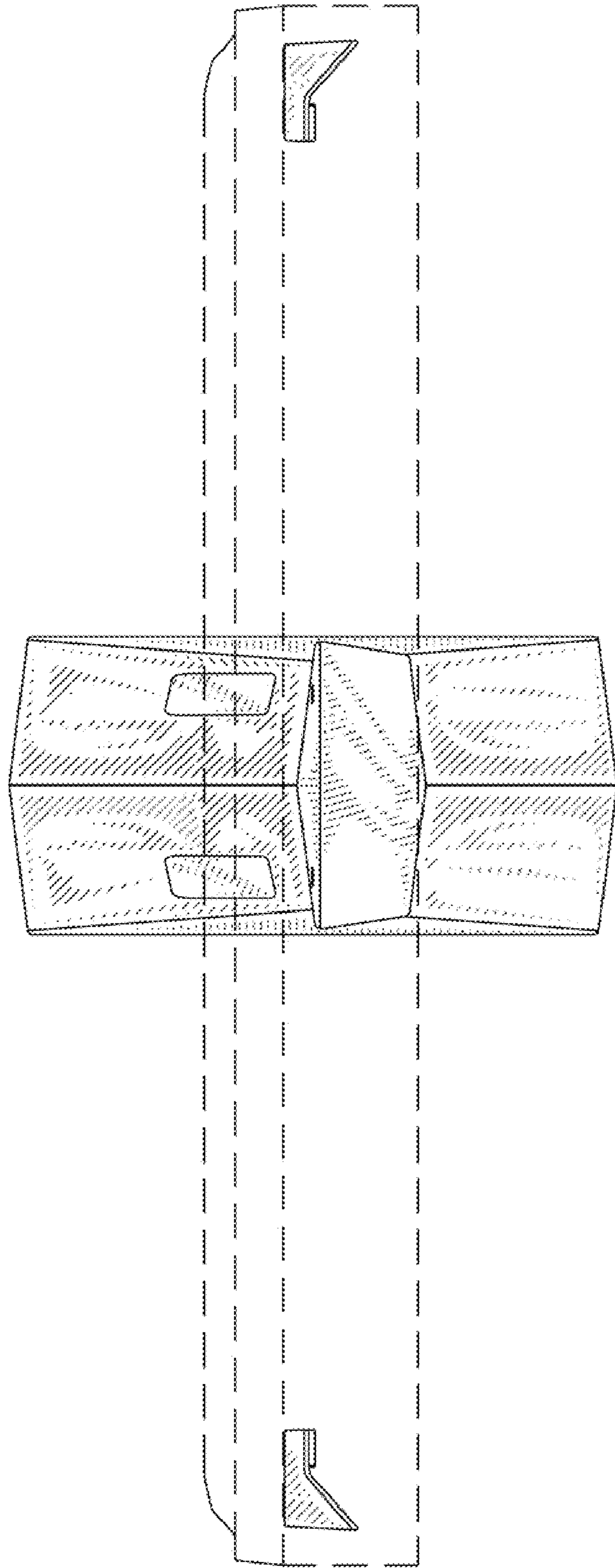


FIG. 6

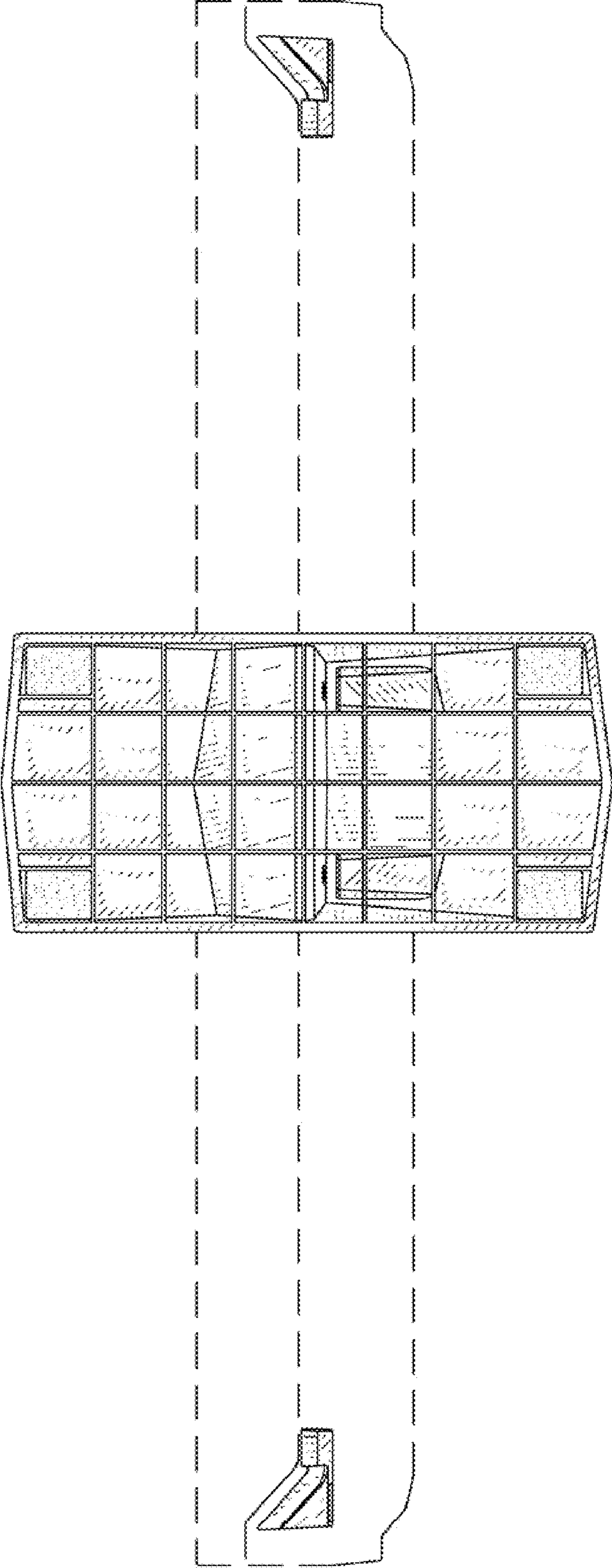


FIG. 7